



US00D417181S

United States Patent [19] Raghu

[11] **Patent Number: Des. 417,181**

[45] **Date of Patent: ** Nov. 30, 1999**

[54] **VEHICLE WINDSHIELD WASHER NOZZLE**

5,163,619 11/1992 Wada 239/284.1

[75] Inventor: **Surya Raghu**, Columbia, Md.

Primary Examiner—James Gandy
Assistant Examiner—Stacia Sinuik
Attorney, Agent, or Firm—Jim Zegeer, Esq.

[73] Assignee: **Bowles Fluidics Corporation**,
Columbia, Md.

[**] Term: **14 Years**

[57] **CLAIM**

The ornamental design for a vehicle windshield washer nozzle, as shown and described.

[21] Appl. No.: **29/073,761**

DESCRIPTION

[22] Filed: **Jul. 16, 1997**

[51] **LOC (6) Cl.** **12-06**

[52] **U.S. Cl.** **D12/220**

[58] **Field of Search** D12/400, 219,
D12/220; 239/284.1, 284.2, 600, 565, 587.4;
285/214–216, 194; 15/250.1

FIG. 1 is a side elevational view of the vehicle windshield washer nozzle of the present invention, the dashed elements being not normally visible when in use and forming no part of the present design,

FIG. 2 is front elevational view of the vehicle windshield washer nozzle of the present invention,

FIG. 3 is a rear view in elevation of the vehicle windshield washer nozzle of the present invention,

FIG. 4 is a reduced perspective view of the vehicle windshield washer nozzle, shown mounted on the hood of a car. The broken line showing of the car is for illustrative purposes only and forms no part of the claimed design; and,

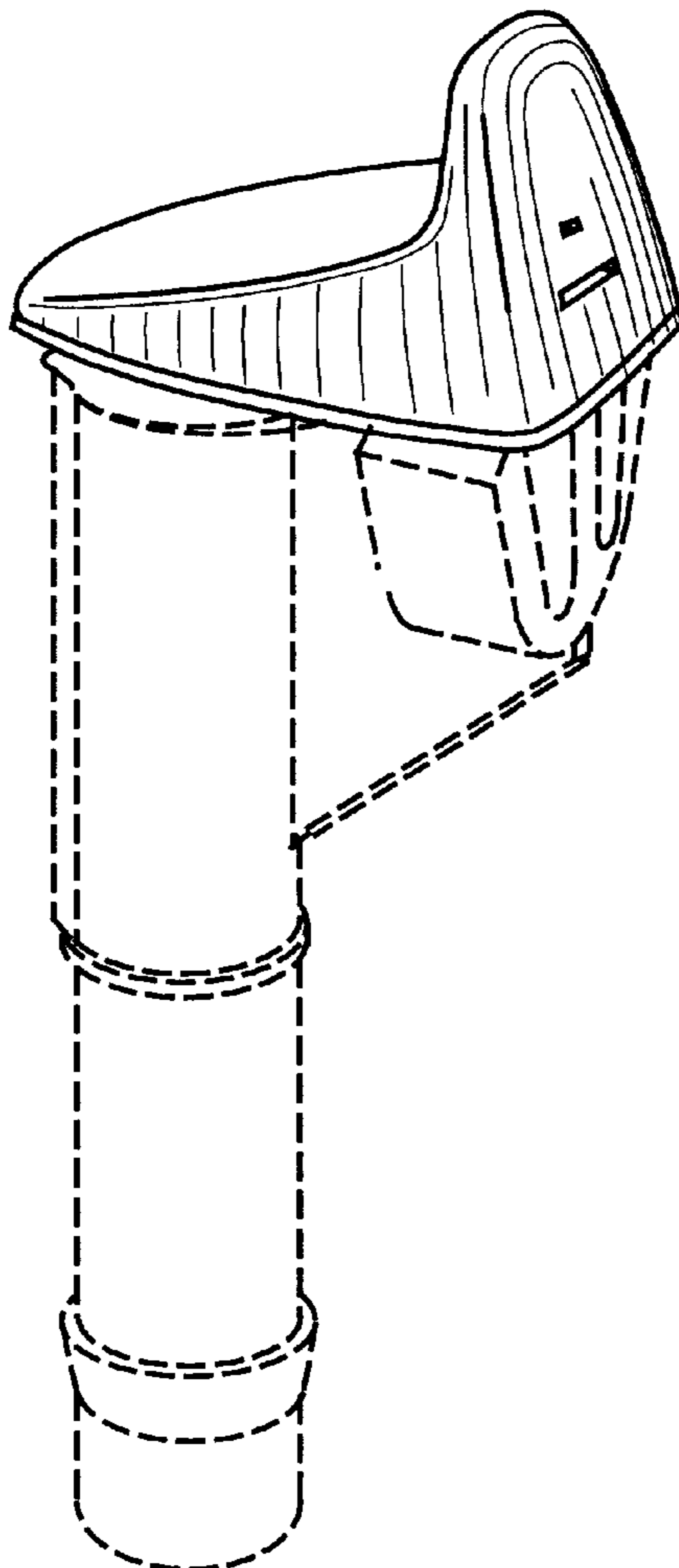
FIG. 5 is an isometric perspective view of a vehicle windshield washer nozzle incorporating the invention.

[56] **References Cited**

U.S. PATENT DOCUMENTS

D. 167,527	8/1952	Neufeld	D12/220
2,289,650	7/1942	Horton	239/284.1
3,192,090	6/1965	Sarafinas et al.	239/284.1
3,237,866	3/1966	Lovell	239/284.1
3,386,663	6/1968	Mandy et al.	239/284.1
4,210,283	7/1980	Stouffer et al.	239/284.1

1 Claim, 2 Drawing Sheets



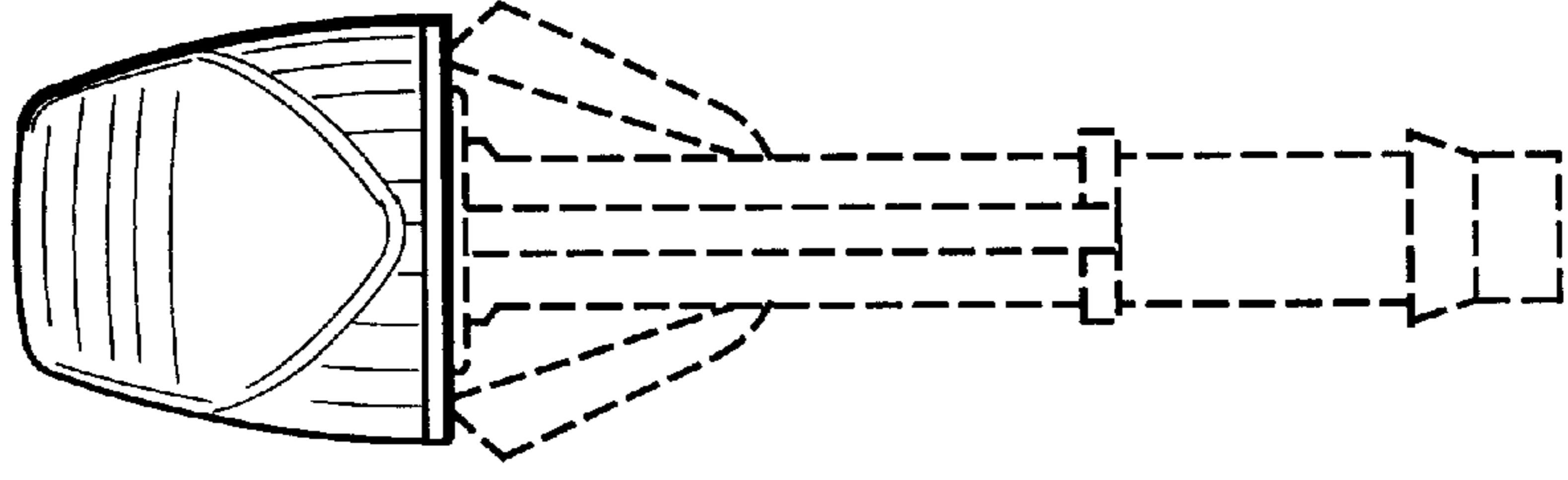


FIG. 3

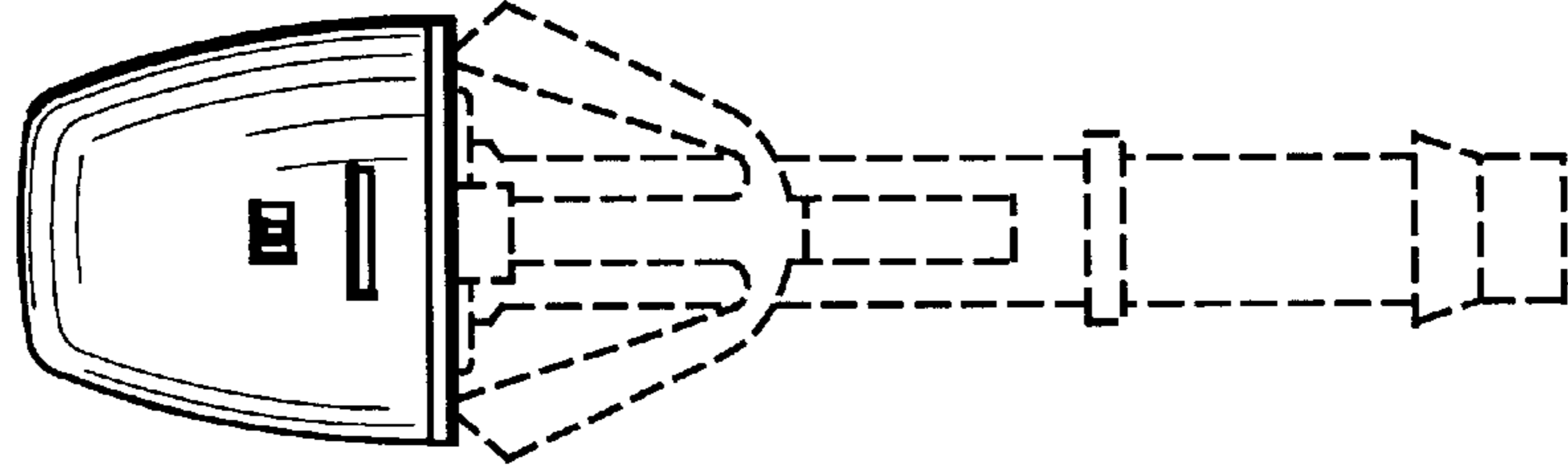


FIG. 2

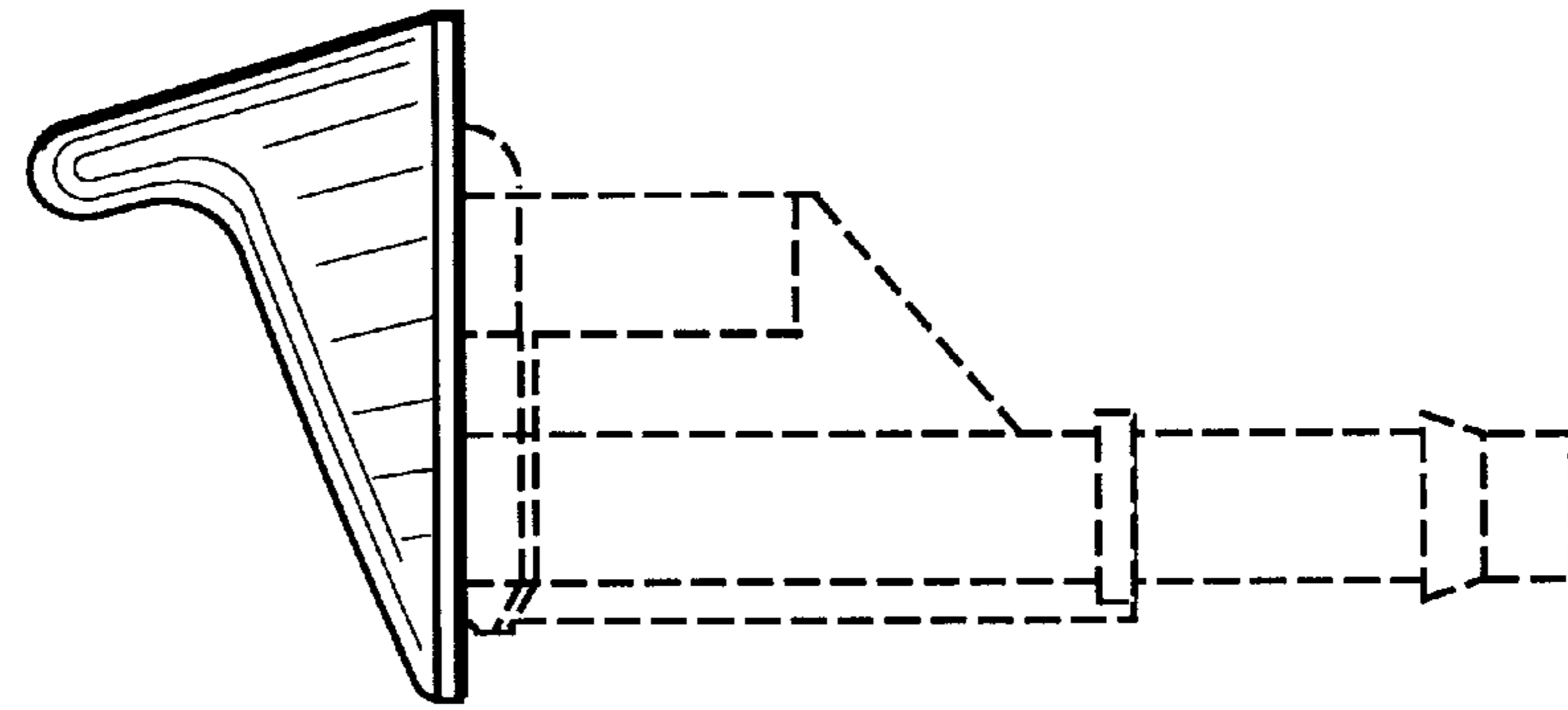


FIG. 1

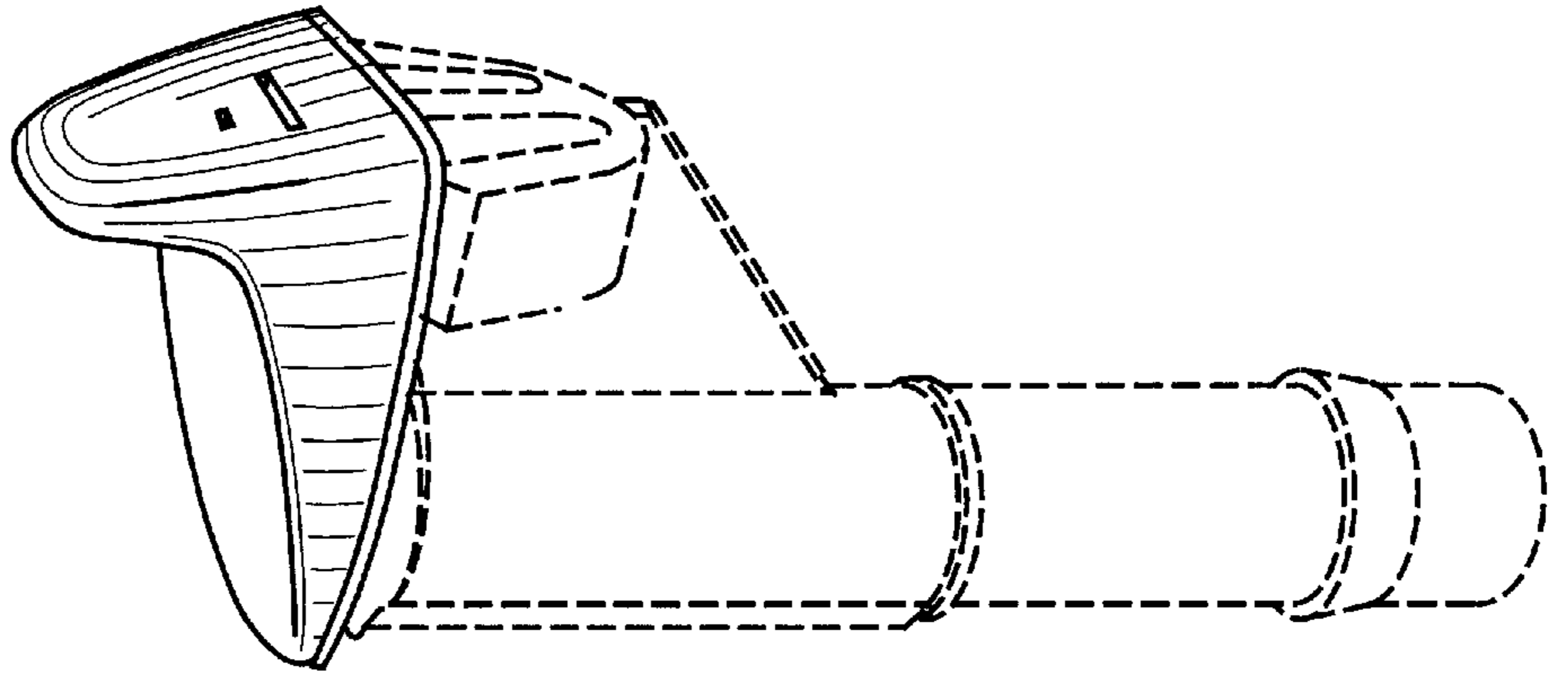


FIG. 5

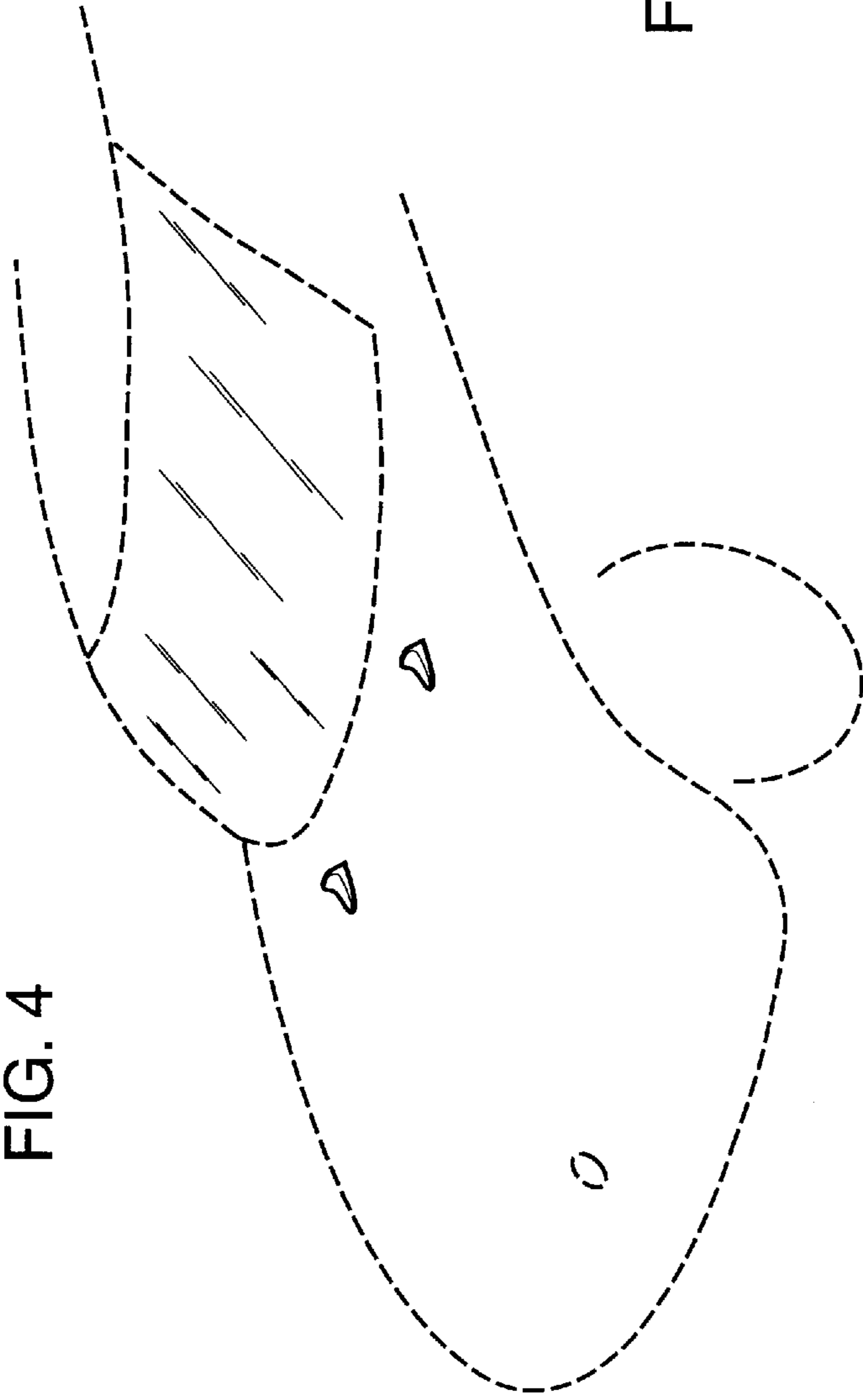


FIG. 4