



US00D417166S

**United States Patent** [19]  
**DeGroot**

[11] **Patent Number: Des. 417,166**

[45] **Date of Patent: \*\* Nov. 30, 1999**

[54] **TURKEY CALL**

[76] Inventor: **Nathan J. DeGroot**, 304 Sinn Rd.,  
Cowlesville, N.Y. 14037

[\*\*] Term: **14 Years**

[21] Appl. No.: **29/080,767**

[22] Filed: **Dec. 16, 1997**

[51] **LOC (6) Cl.** ..... **10-05**

[52] **U.S. Cl.** ..... **D10/119**

[58] **Field of Search** ..... D10/104, 116,  
D10/118, 119, 120; 446/200-215

[56] **References Cited**

**U.S. PATENT DOCUMENTS**

D. 231,927 6/1974 Shoemaker ..... D10/119

D. 296,880 7/1988 Morocco ..... D10/119  
D. 360,160 7/1995 Morningstar ..... D10/119  
D. 393,810 4/1998 Richardson ..... D10/119

*Primary Examiner*—Marcus A. Jackson

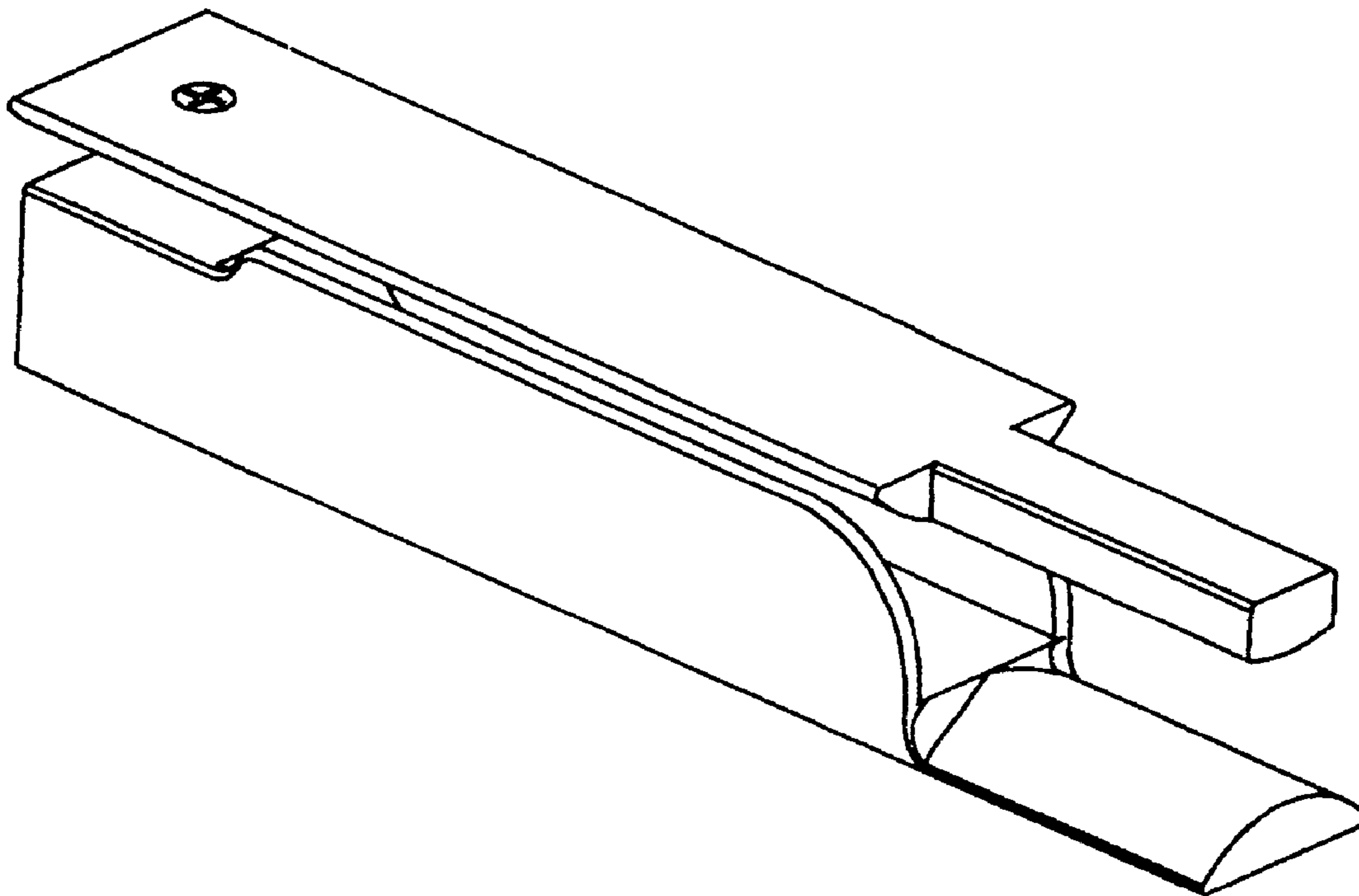
[57] **CLAIM**

The ornamental design for a turkey call, as shown and described.

**DESCRIPTION**

FIG. 1 is a side elevational view of a turkey call showing my new design;  
FIG. 2 is a top plan view thereof;  
FIG. 3 is a bottom plan view thereof;  
FIG. 4 is a opened isometrical view thereof; and,  
FIG. 5 is a closed isometrical view thereof.

**1 Claim, 1 Drawing Sheet**



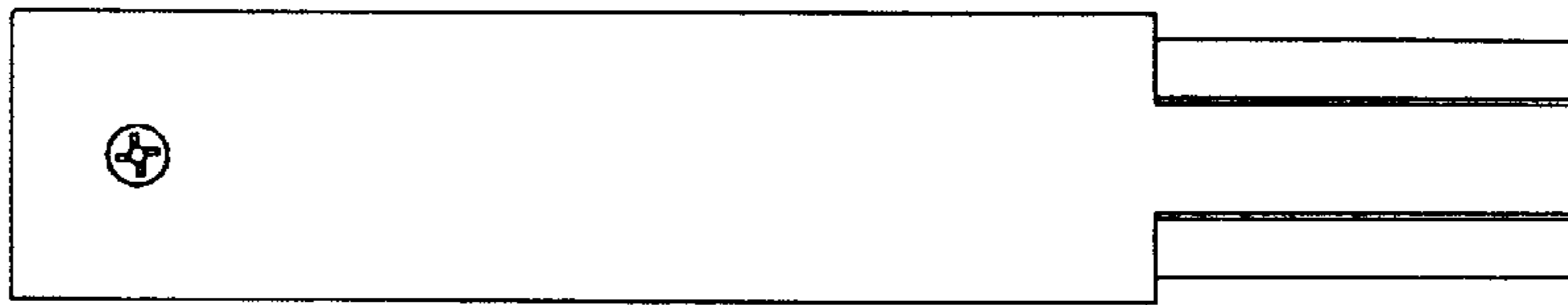


FIG. 2

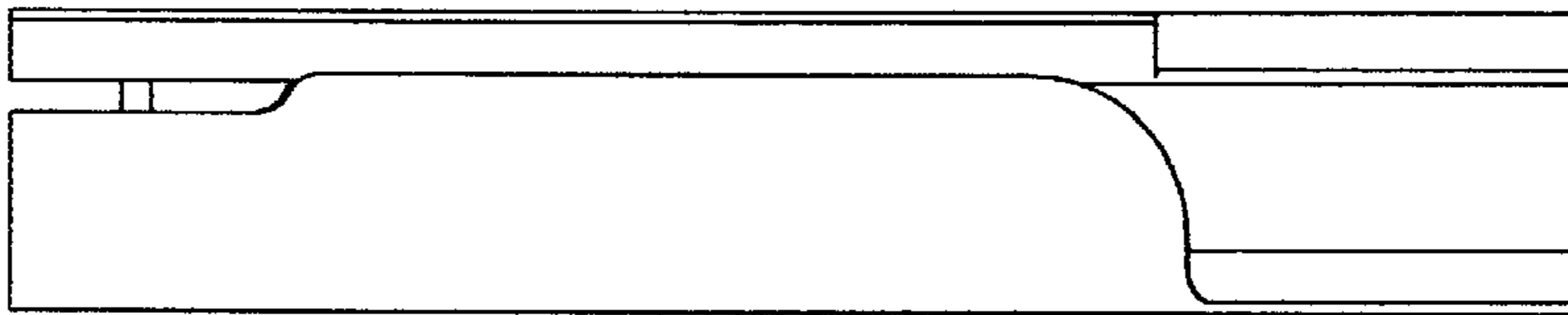


FIG. 1

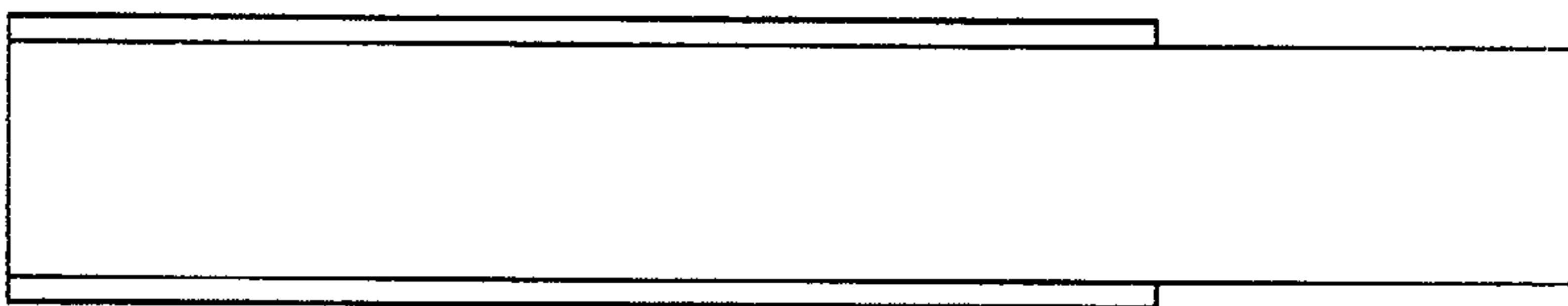


FIG. 3

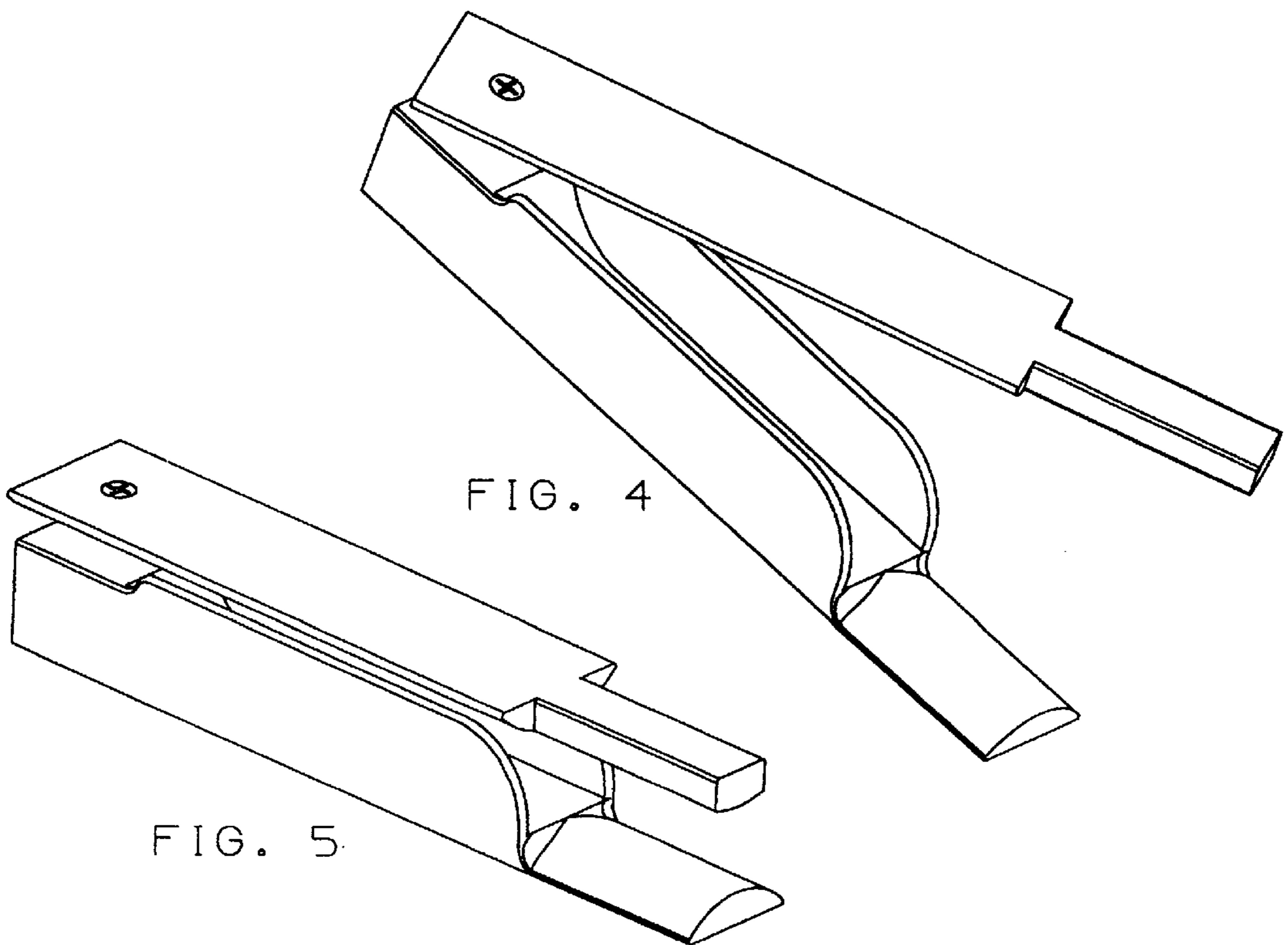


FIG. 4

FIG. 5