



US00D417164S

United States Patent [19]

[11] **Patent Number: Des. 417,164**

Sandoval et al.

[45] **Date of Patent: ** Nov. 30, 1999**

[54] **FIRE DETECTING TREE ORNAMENT**

Primary Examiner—Marcus A. Jackson

[76] Inventors: **Francisco M Sandoval; Patricia Sandoval**, both of 1611 Cormorant Way #1, Sacramento, Calif. 95815

[57] **CLAIM**

The ornamental design for a fire detecting tree ornament, as shown.

[**] Term: **14 Years**

DESCRIPTION

[21] Appl. No.: **29/095,418**

FIG. 1 is a front elevational view of the fire detecting tree ornament of the present invention;

[22] Filed: **Oct. 22, 1998**

FIG. 2 is a back elevational view of the fire detecting tree ornament of FIG. 1;

[51] **LOC (6) Cl. 10-05**

[52] **U.S. Cl. D10/106; D11/121; D29/125**

FIG. 3 is a left side elevational view of the fire detecting tree ornament of FIG. 1;

[58] **Field of Search D10/104, 106, D10/116, 121; D11/117, 121, 118; 340/628, 629, 630; D29/1, 2, 3, 125**

FIG. 4 is a right side elevational view of the fire detecting tree ornament of FIG. 1;

[56] **References Cited**

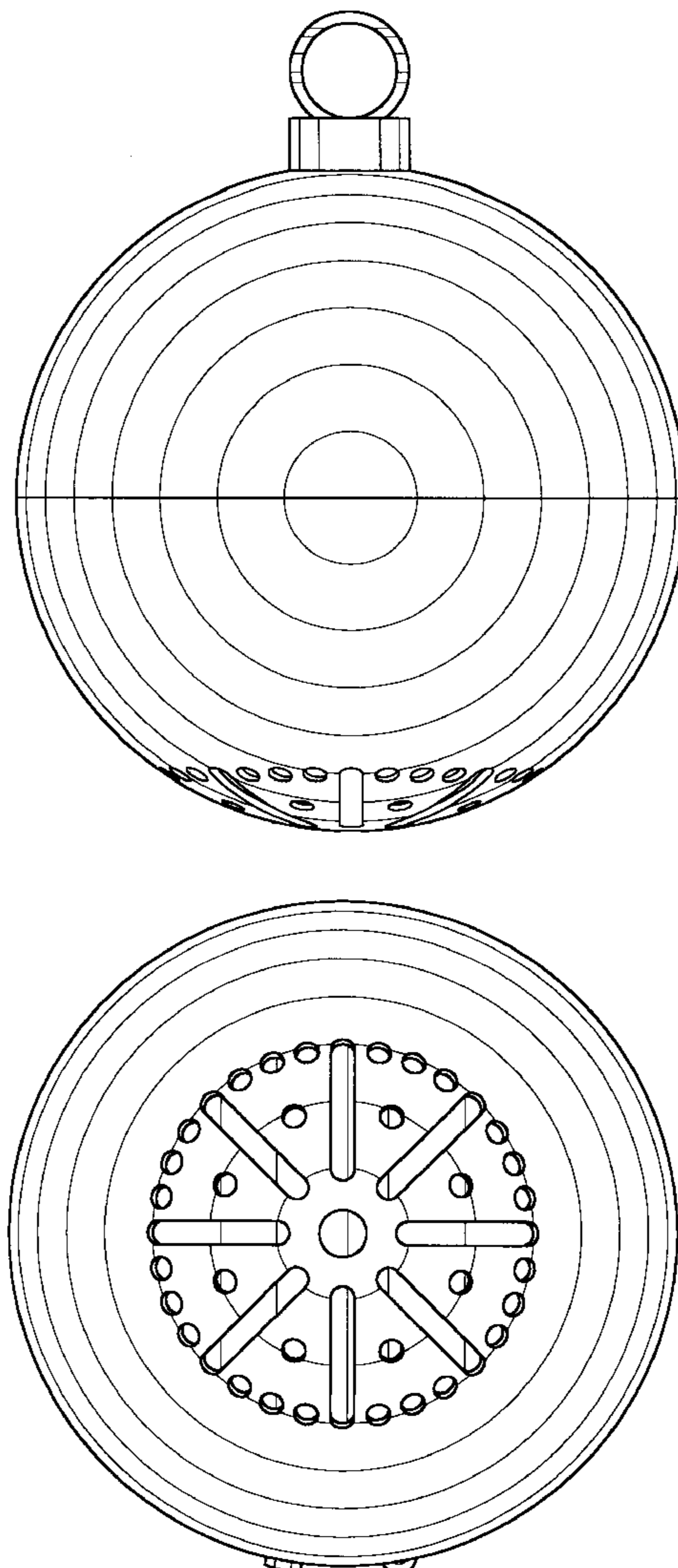
FIG. 5 is a top plan view of the fire detecting tree ornament of FIG. 1; and,

U.S. PATENT DOCUMENTS

FIG. 6 is a bottom plan view of the fire detecting tree ornament of FIG. 1.

| | | | |
|------------|--------|------------------|---------|
| D. 354,015 | 1/1995 | Sims et al. | D10/106 |
| D. 382,824 | 8/1997 | Motruk | D10/106 |
| D. 390,488 | 2/1998 | Annan | D10/106 |

1 Claim, 3 Drawing Sheets



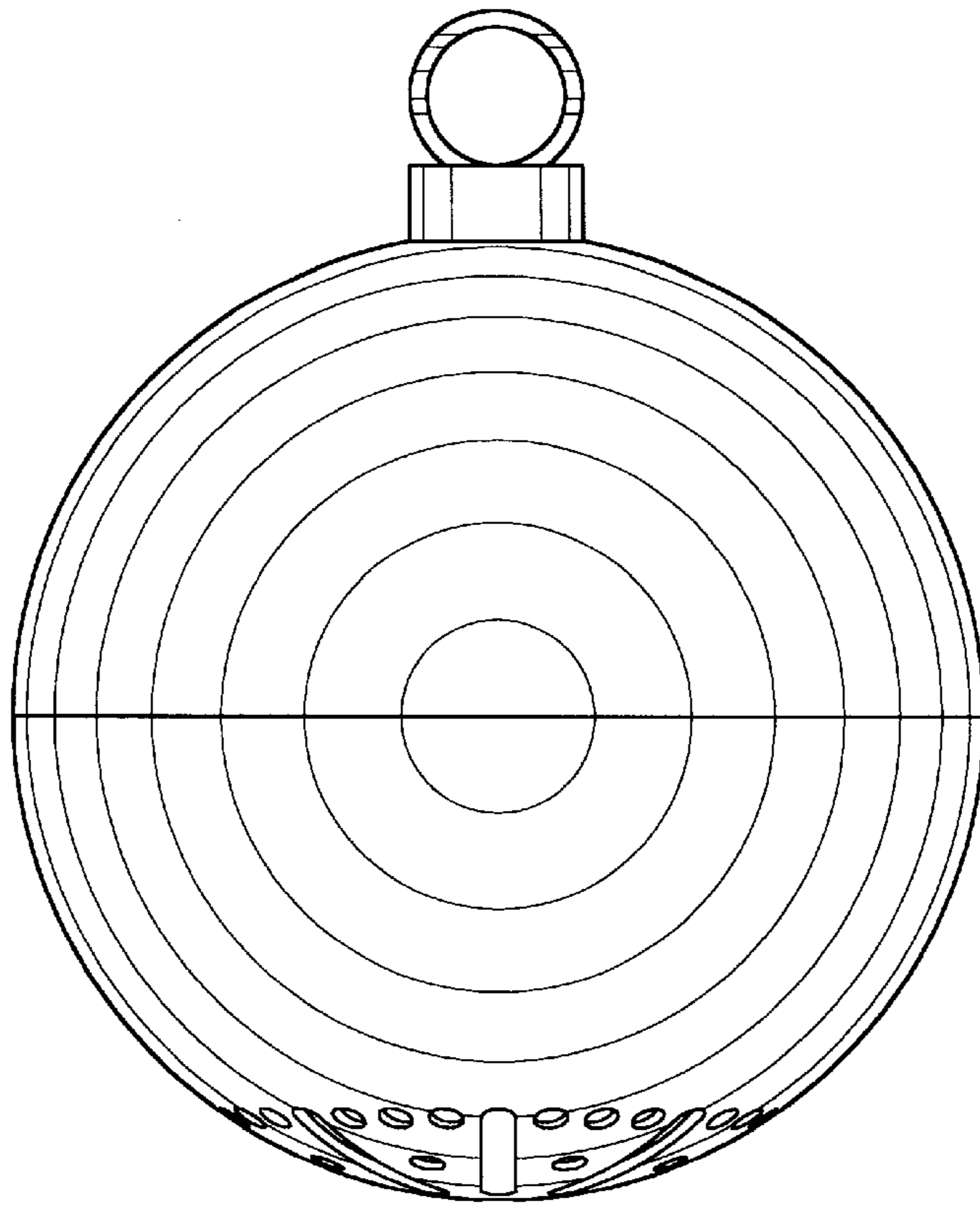


Fig. 1

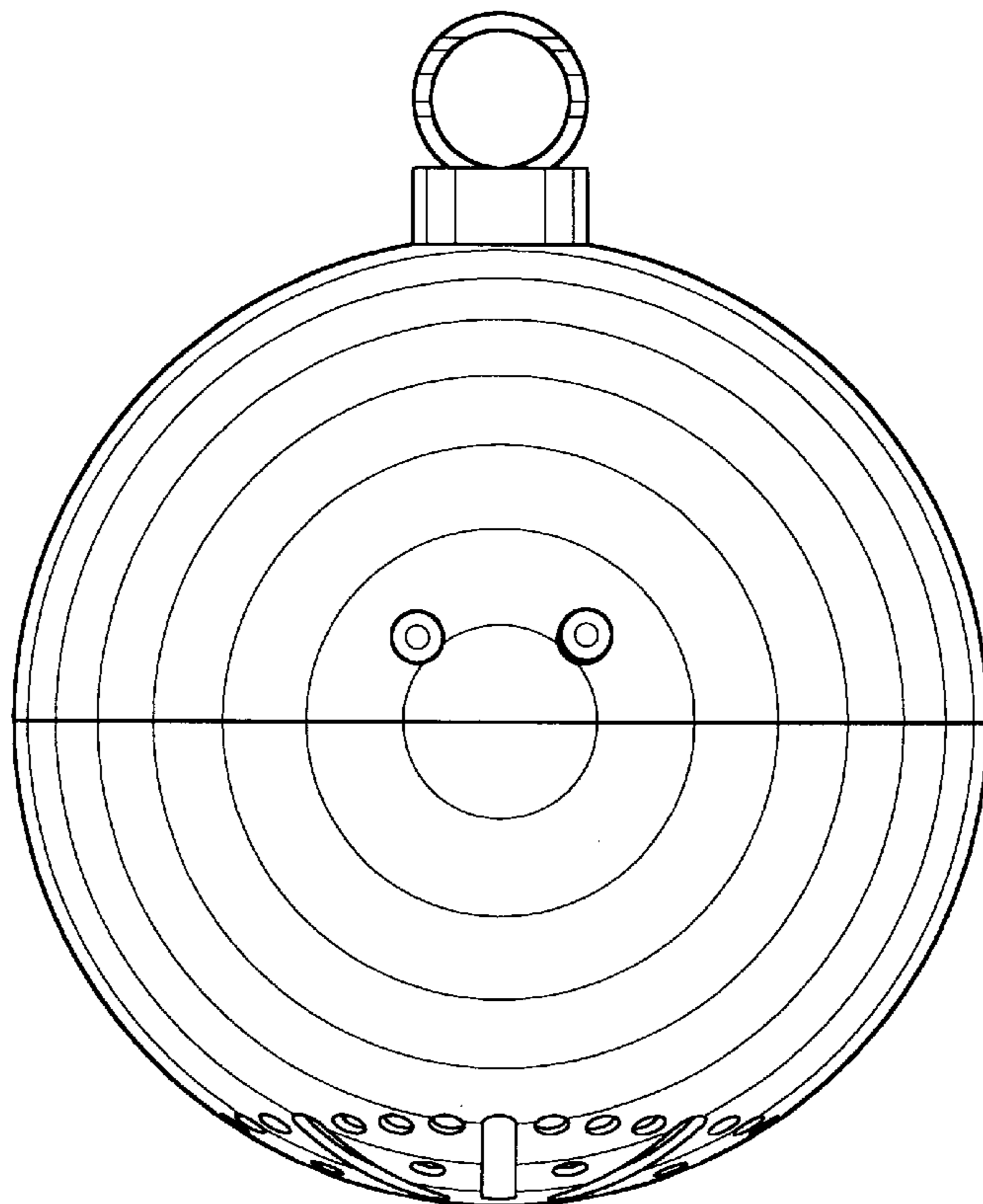


Fig. 2

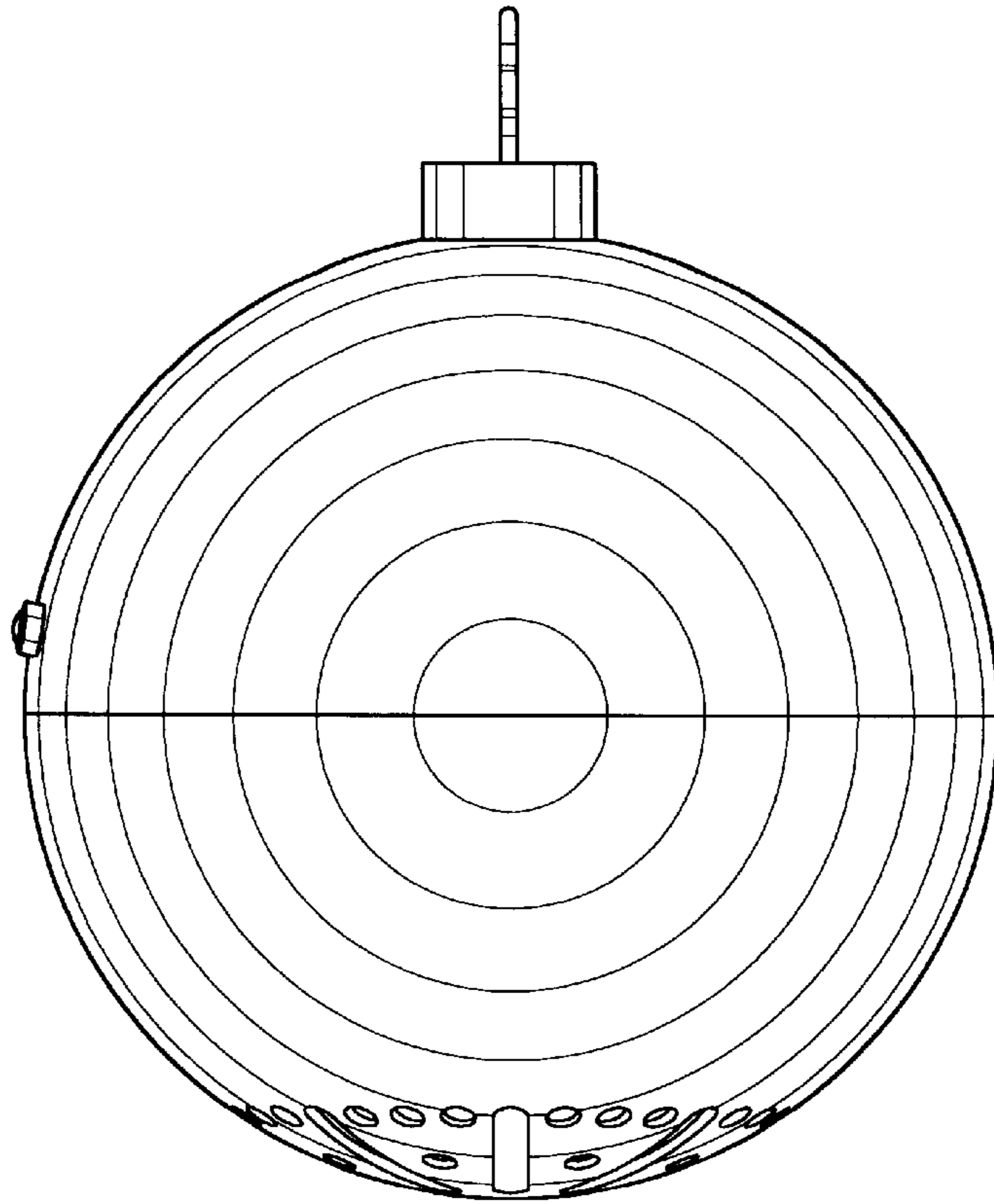


Fig. 3

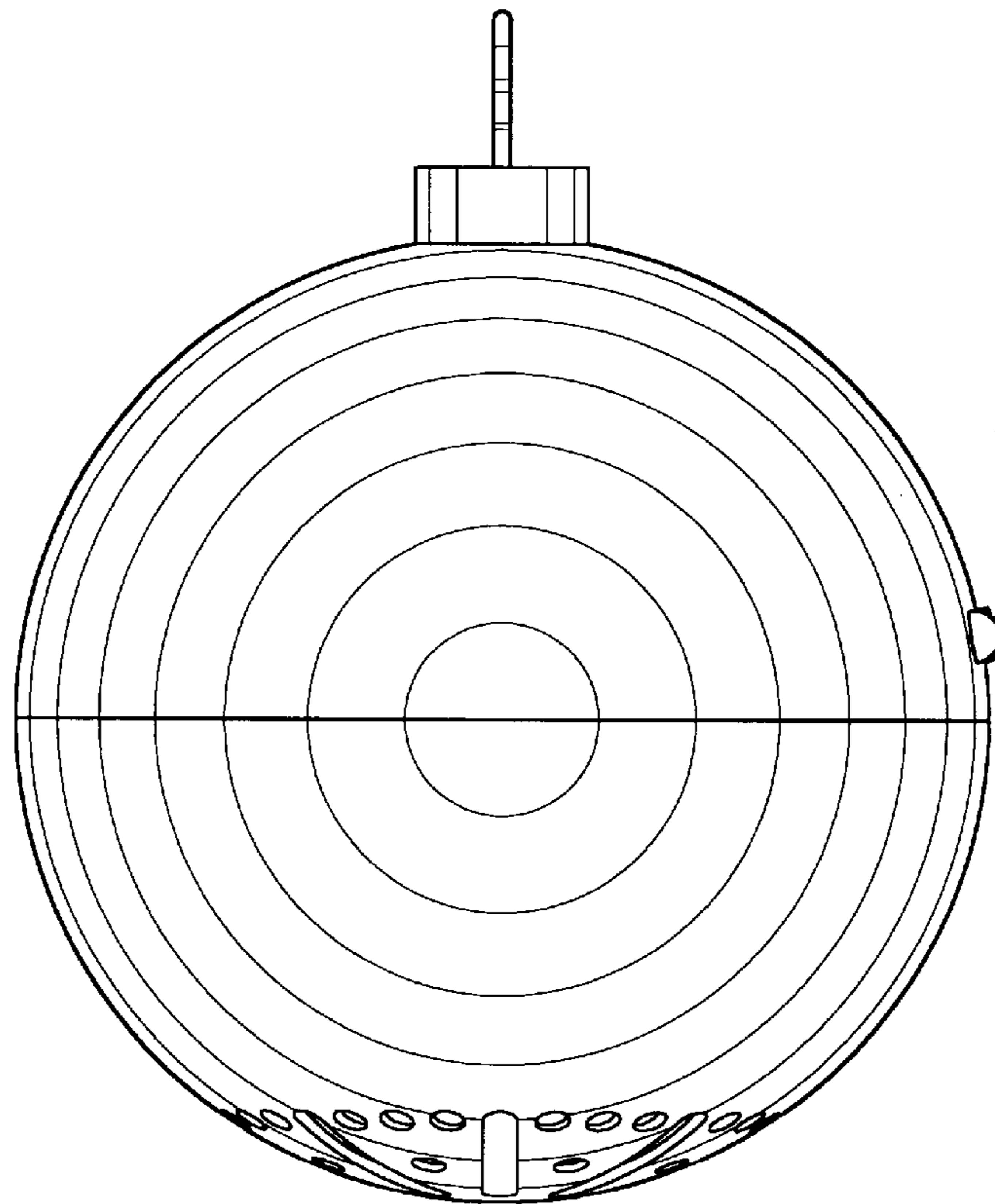


Fig. 4

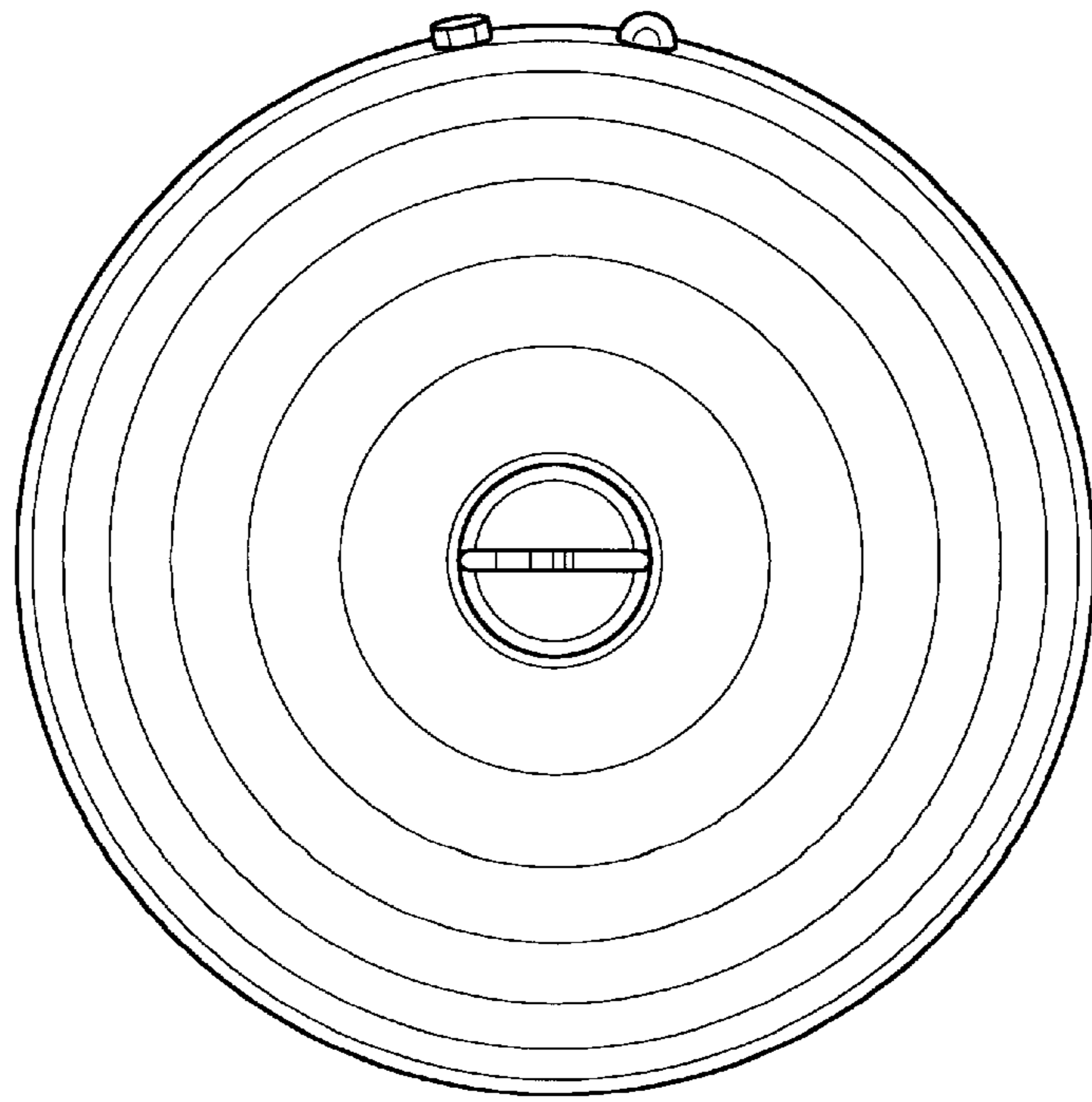


Fig. 5

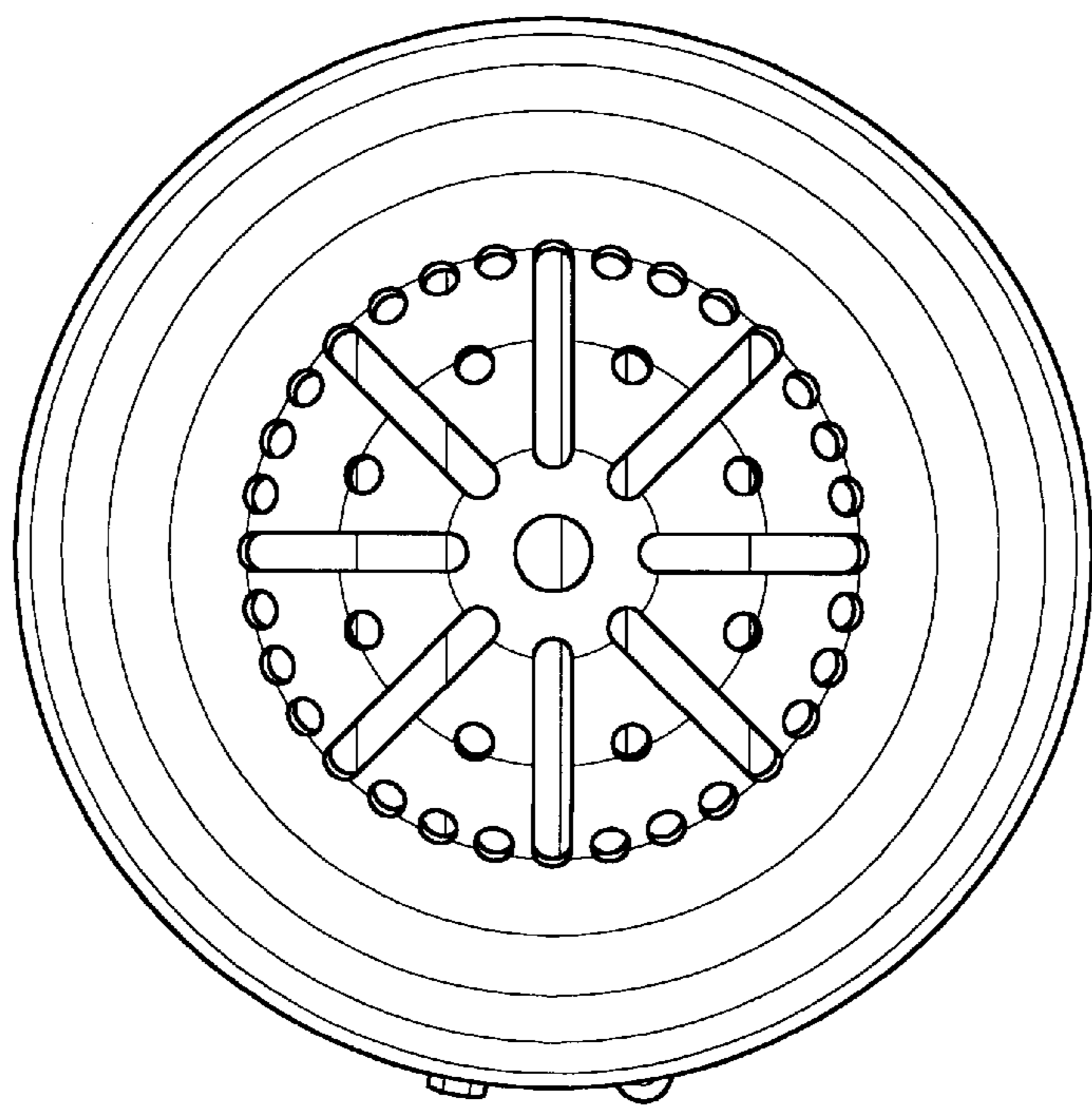


Fig. 6