



US00D417158S

United States Patent [19]
Krauss

[11] **Patent Number: Des. 417,158**

[45] **Date of Patent: ** Nov. 30, 1999**

[54] **CASING FOR A WATCH**

[75] Inventor: **Aurelie E. Krauss**, Danbury, Conn.

[73] Assignee: **Timex Corporation**, Middlebury, Conn.

[**] Term: **14 Years**

[21] Appl. No.: **29/097,929**

[22] Filed: **Dec. 17, 1998**

[51] **LOC (6) Cl.** **10-02**

[52] **U.S. Cl.** **D10/30; D10/39**

[58] **Field of Search** D10/1-40, 122-132;
368/280-282, 276-277, 285

[56] **References Cited**

U.S. PATENT DOCUMENTS

D. 286,754	11/1986	Manfredi	D10/39
D. 360,142	7/1995	Polenberg	D10/39
D. 394,215	5/1998	Riley et al.	D10/30
D. 399,757	10/1998	Riley et al.	D10/30
D. 399,758	10/1998	Mendoza	D10/30

OTHER PUBLICATIONS

Swiss Watch & Jewelry Journal—Mar. 1988—p. 495—
watches at bottom.

Timex 1998 Catalog, p. 39, All Styles.

Primary Examiner—Nelson C. Holtje
Attorney, Agent, or Firm—Carmody & Torrance, LLP

[57] **CLAIM**

The ornamental design for a “casing for a watch,” as shown and described.

DESCRIPTION

FIG. 1 is a perspective view of a casing for a watch showing my new design;

FIG. 2 is a left side elevational view thereof;

FIG. 3 is a top plan view thereof;

FIG. 4 is a right side elevational view thereof;

FIG. 5 is a front elevational view thereof;

FIG. 6 is a rear elevational view thereof; and,

FIG. 7 is a bottom plan view.

The broken line showing of a crown is for illustrative purposes only and forms no part of the claimed design.

1 Claim, 2 Drawing Sheets

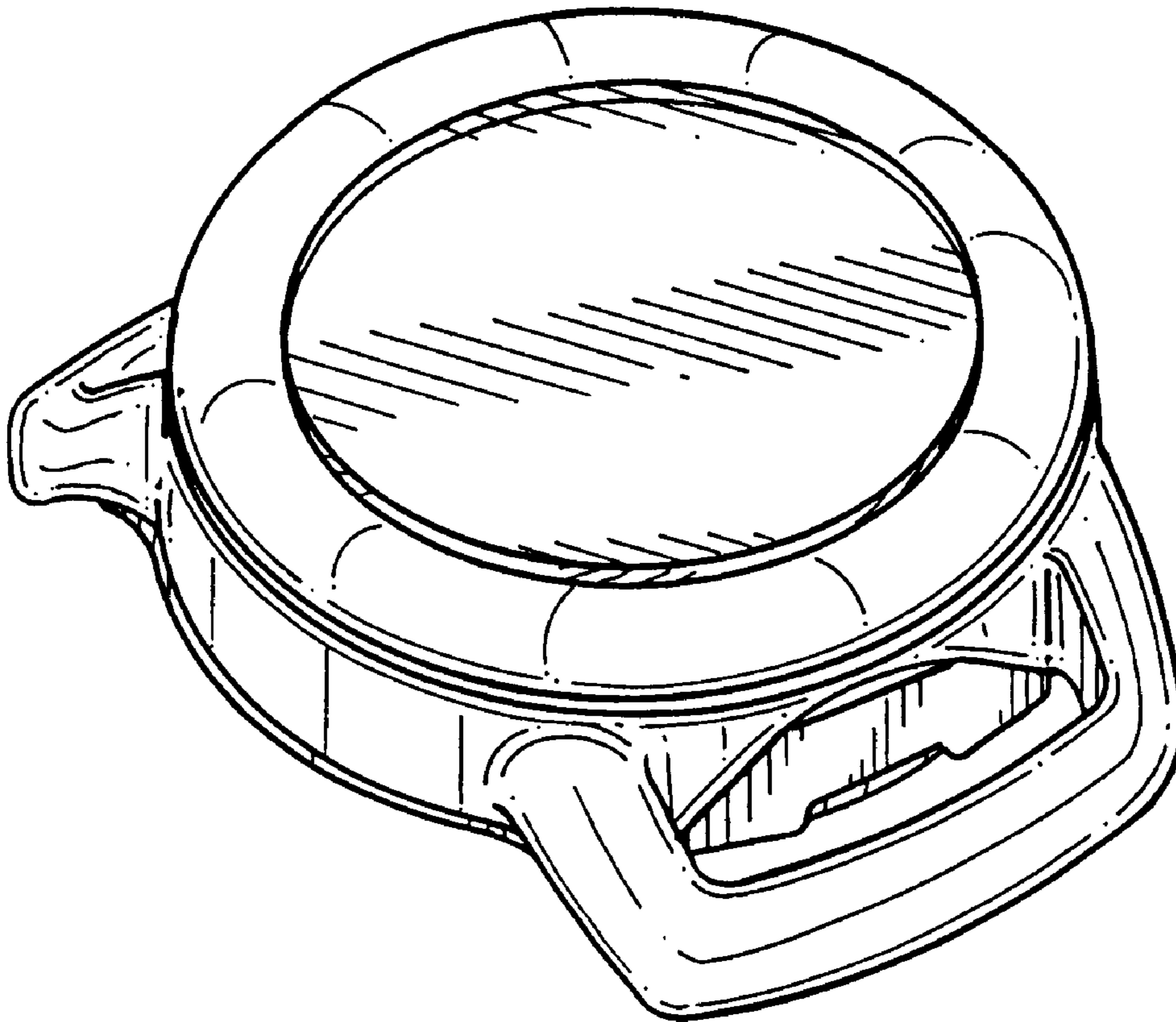


FIG. 1

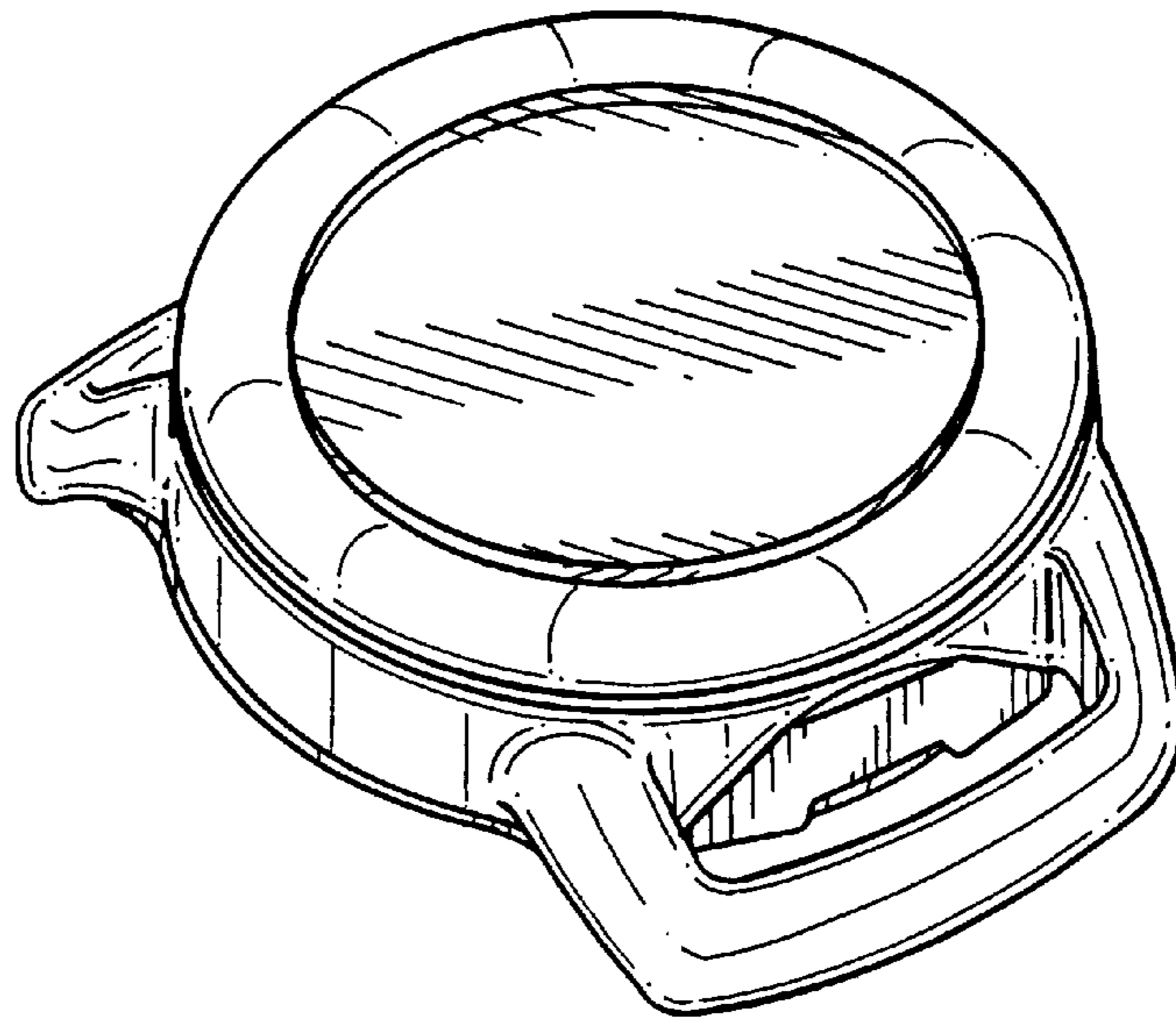


FIG. 7

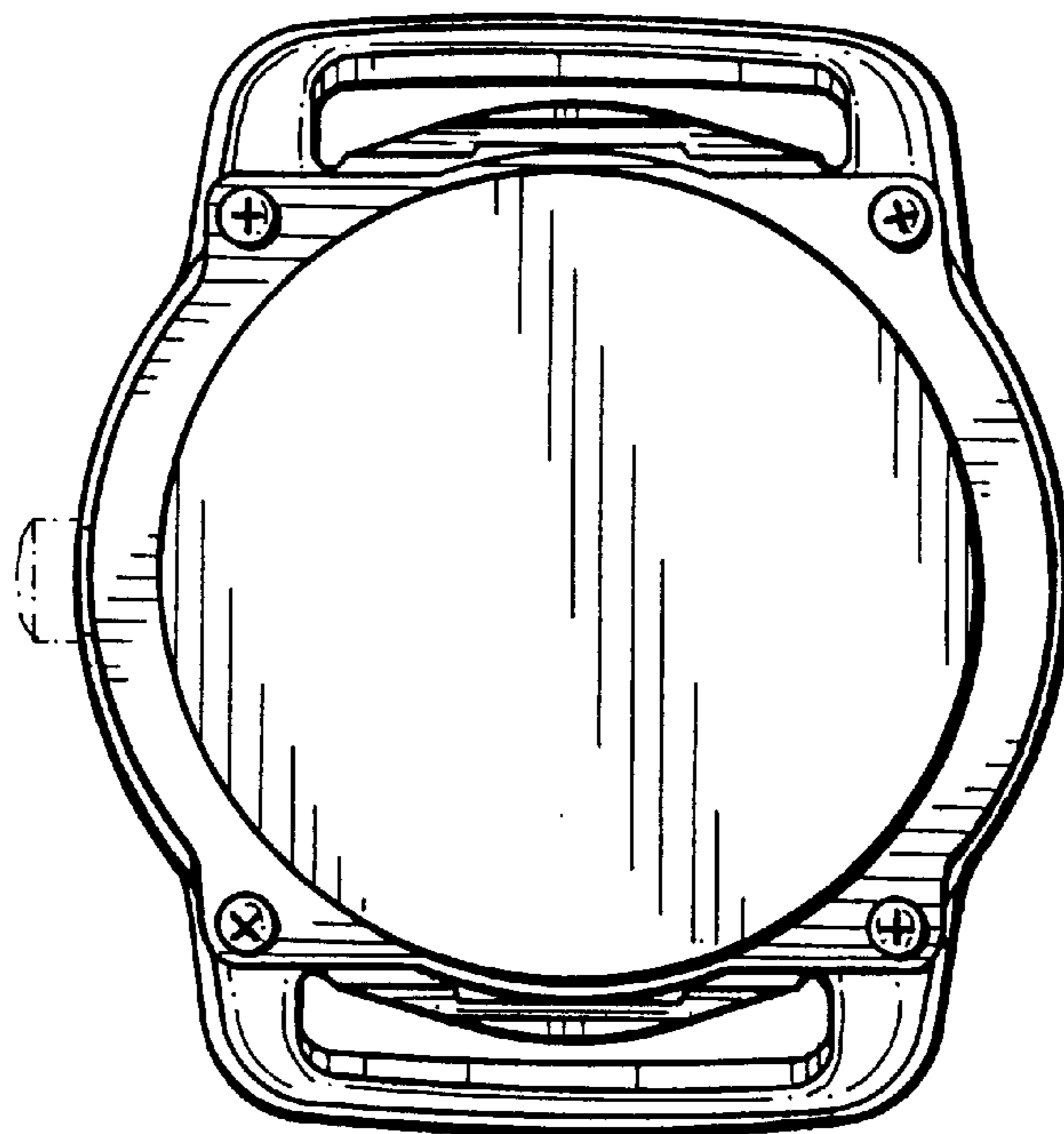


FIG. 2

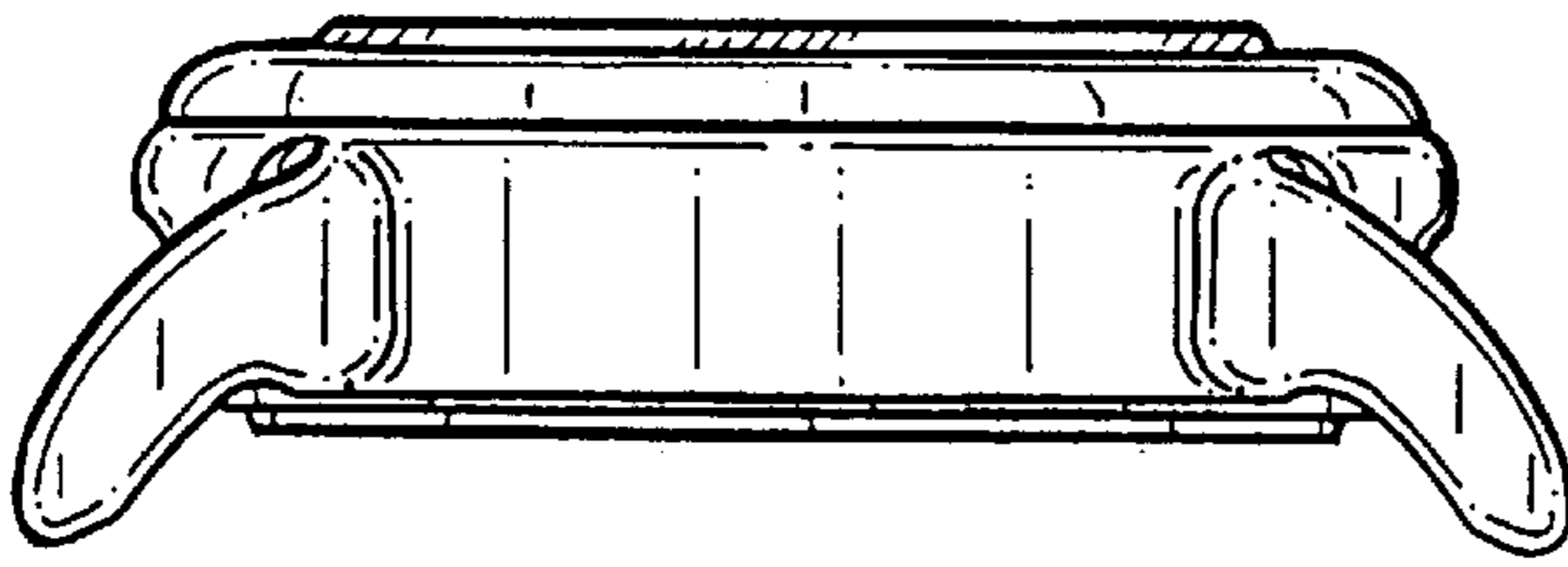


FIG. 3

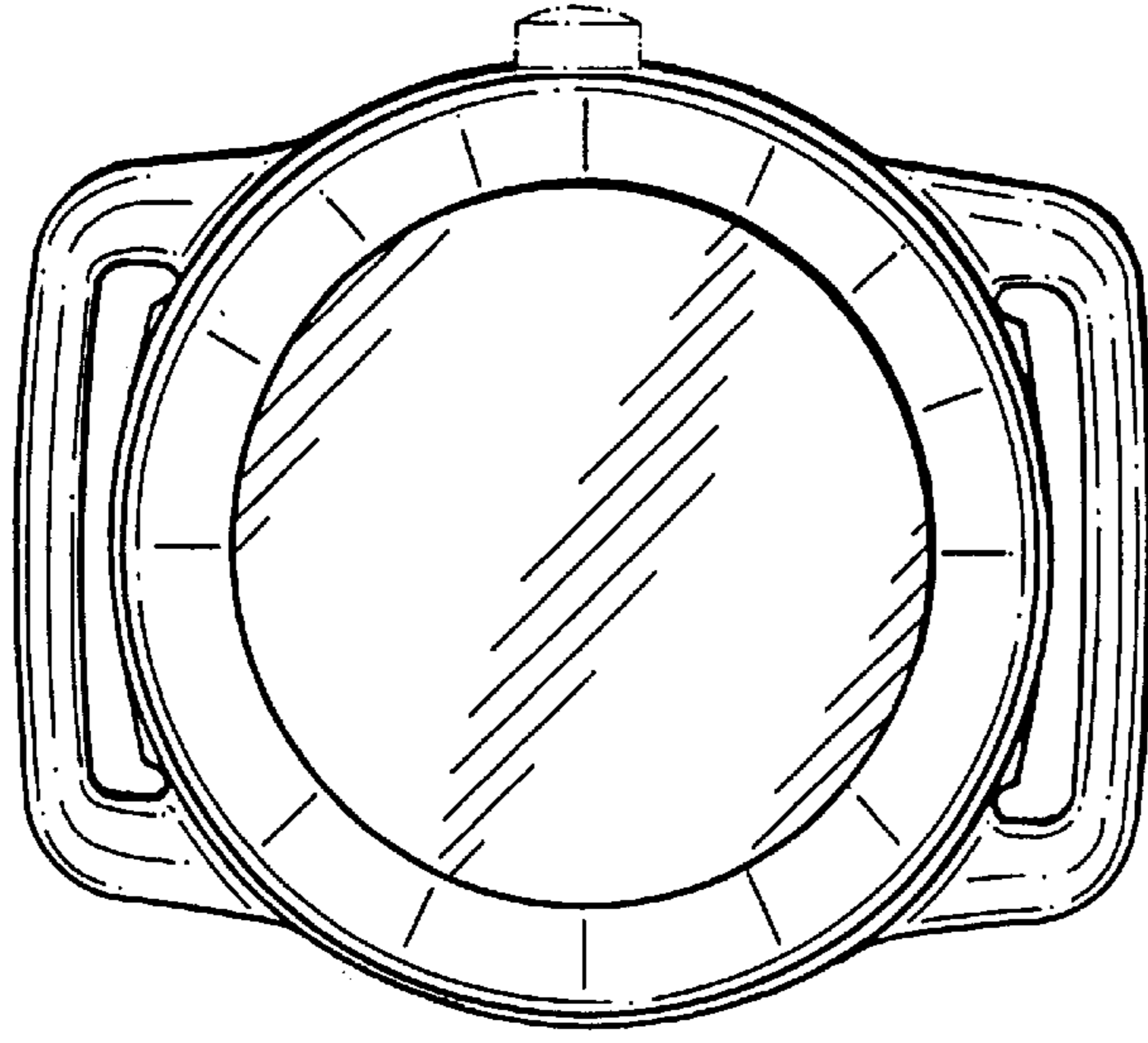


FIG. 4

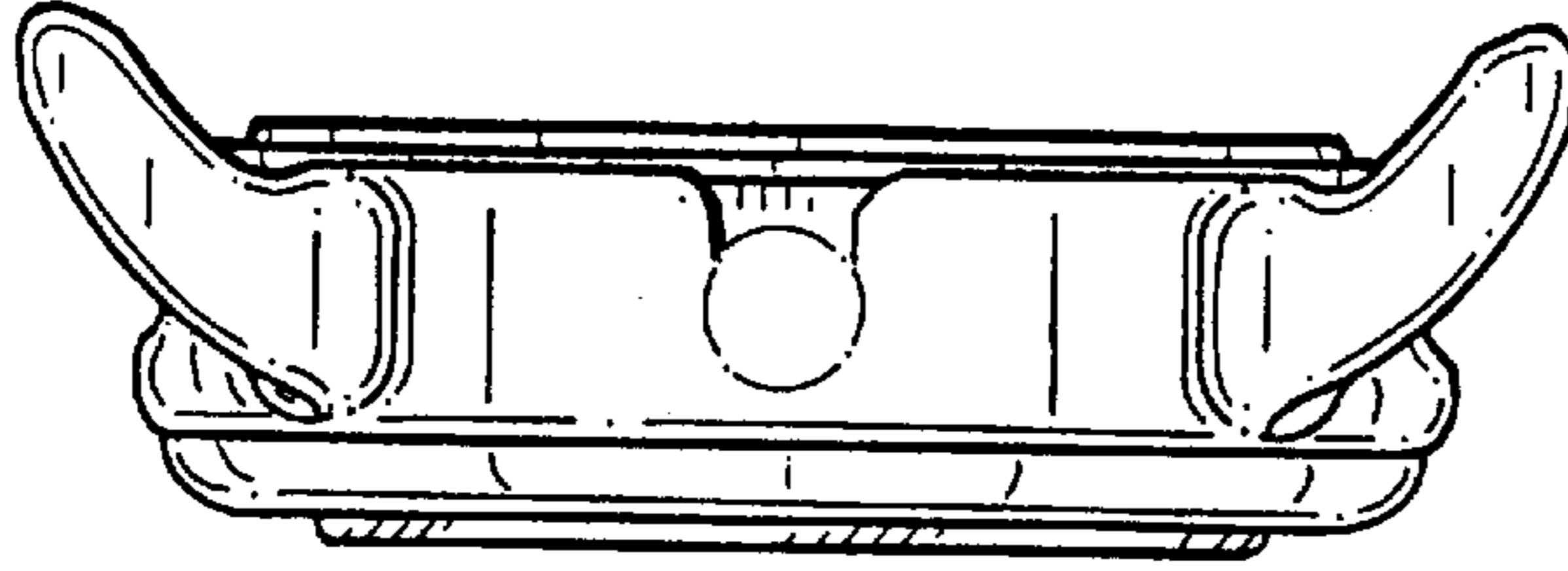


FIG. 5

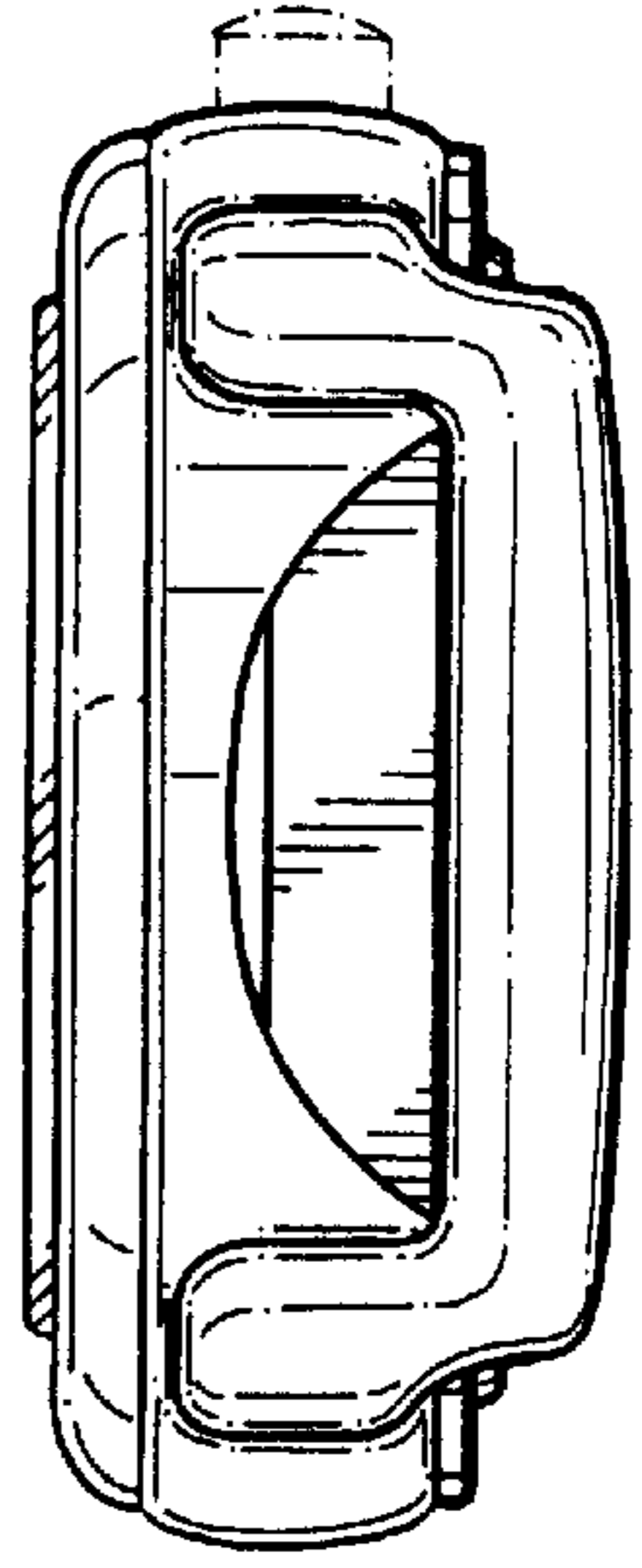


FIG. 6

