



US00D417157S

# United States Patent [19] Chang

[11] Patent Number: **Des. 417,157**

[45] Date of Patent: **\*\* Nov. 30, 1999**

[54] **CLOCK WITH STAND**

[75] Inventor: **Eddie Chang**, Kowloon, The Hong Kong Special Administrative Region of the People's Republic of China

[73] Assignee: **Man Min Shing Company Limited**, Kowloon, The Hong Kong Special Administrative Region of the People's Republic of China

[\*\*] Term: **14 Years**

[21] Appl. No.: **29/093,036**

[22] Filed: **Sep. 1, 1998**

[51] **LOC (6) Cl.** ..... **10-01**

[52] **U.S. Cl.** ..... **D10/8; D10/23**

[58] **Field of Search** ..... D10/1-40, 122-132; 368/10, 285, 316-317; D11/160; D21/166, 168

[56] **References Cited**

**U.S. PATENT DOCUMENTS**

- Re. 20,652 2/1938 Hecht .
- D. 63,896 2/1924 Harshberger ..... D10/8 X
- D. 89,217 2/1933 Sill .

- D. 253,711 12/1979 Christiansen ..... D21/166
- D. 286,381 10/1986 Zeiseu ..... D10/8
- D. 305,557 1/1990 Joseph ..... D21/155
- D. 314,515 2/1991 Kameko ..... D10/8
- D. 317,796 6/1991 Laursen ..... D21/150
- D. 365,750 1/1996 Gouveia ..... D21/154 X

*Primary Examiner*—Nelson C. Holtje  
*Attorney, Agent, or Firm*—Smith, Gambrell & Russell, LLP; Beveridge, DeGrandi, Weilacher & Young Intellectual Property Group

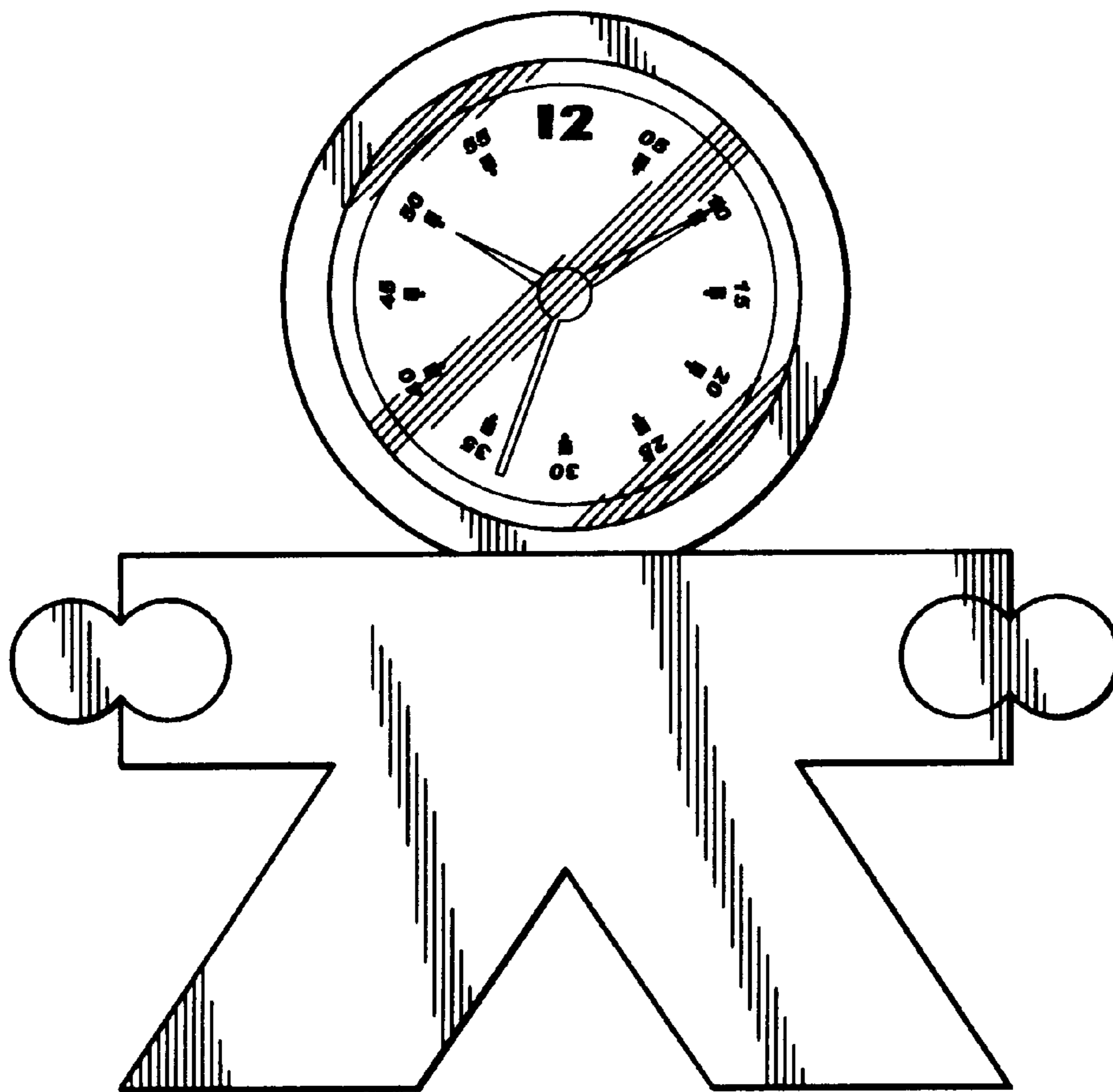
[57] **CLAIM**

The ornamental design for a clock with stand, as shown and described.

**DESCRIPTION**

FIG. 1 is a perspective view of a clock with stand showing my new design;  
FIG. 2 is an inverted, exploded perspective view thereof;  
FIG. 3 is a front view thereof;  
FIG. 4 is a right side view thereof;  
FIG. 5 is a top view thereof;  
FIG. 6 is a rear view thereof;  
FIG. 7 is a left side view thereof; and,  
FIG. 8 is a bottom view thereof.

**1 Claim, 3 Drawing Sheets**



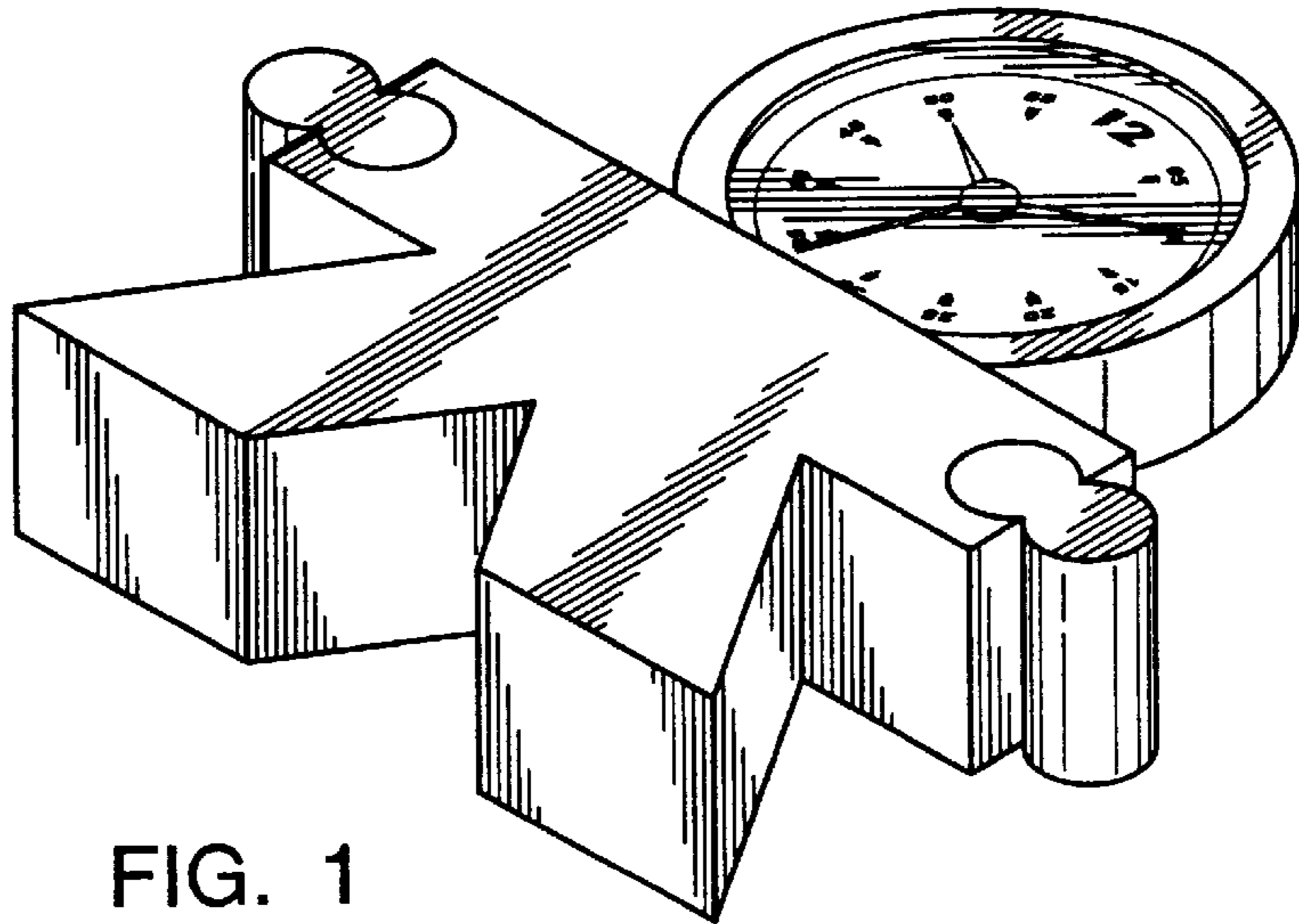


FIG. 1

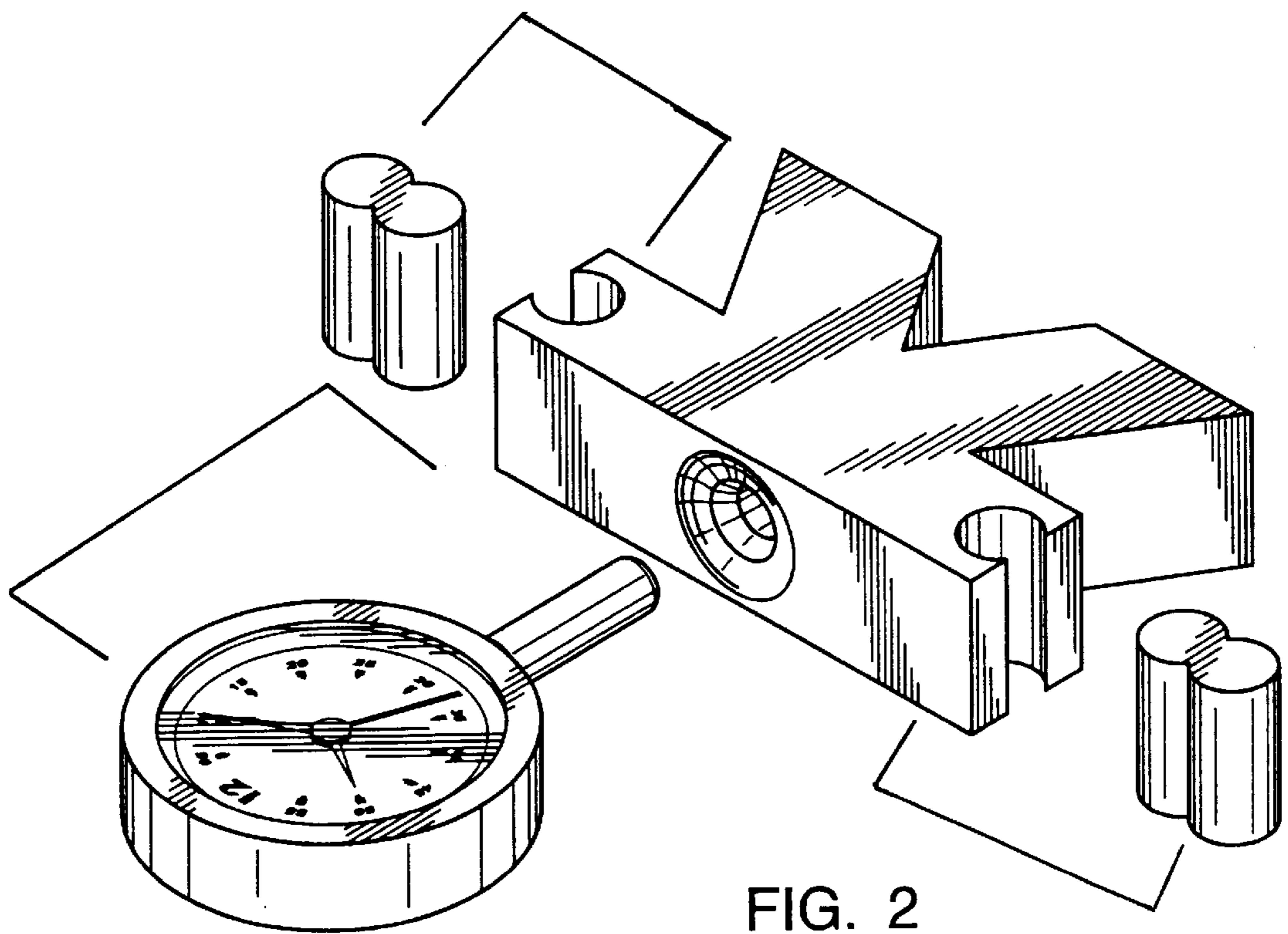


FIG. 2

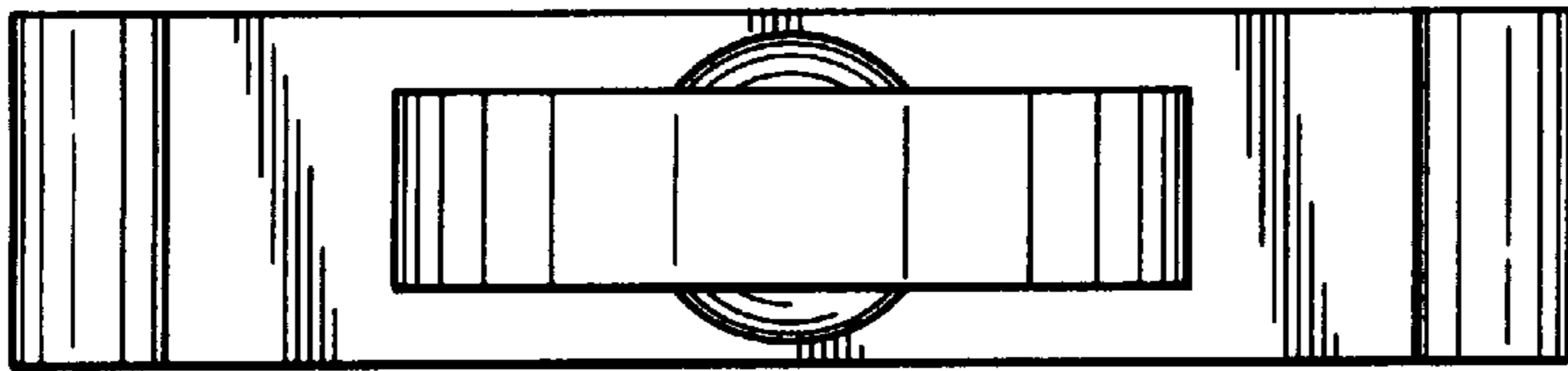


FIG. 5

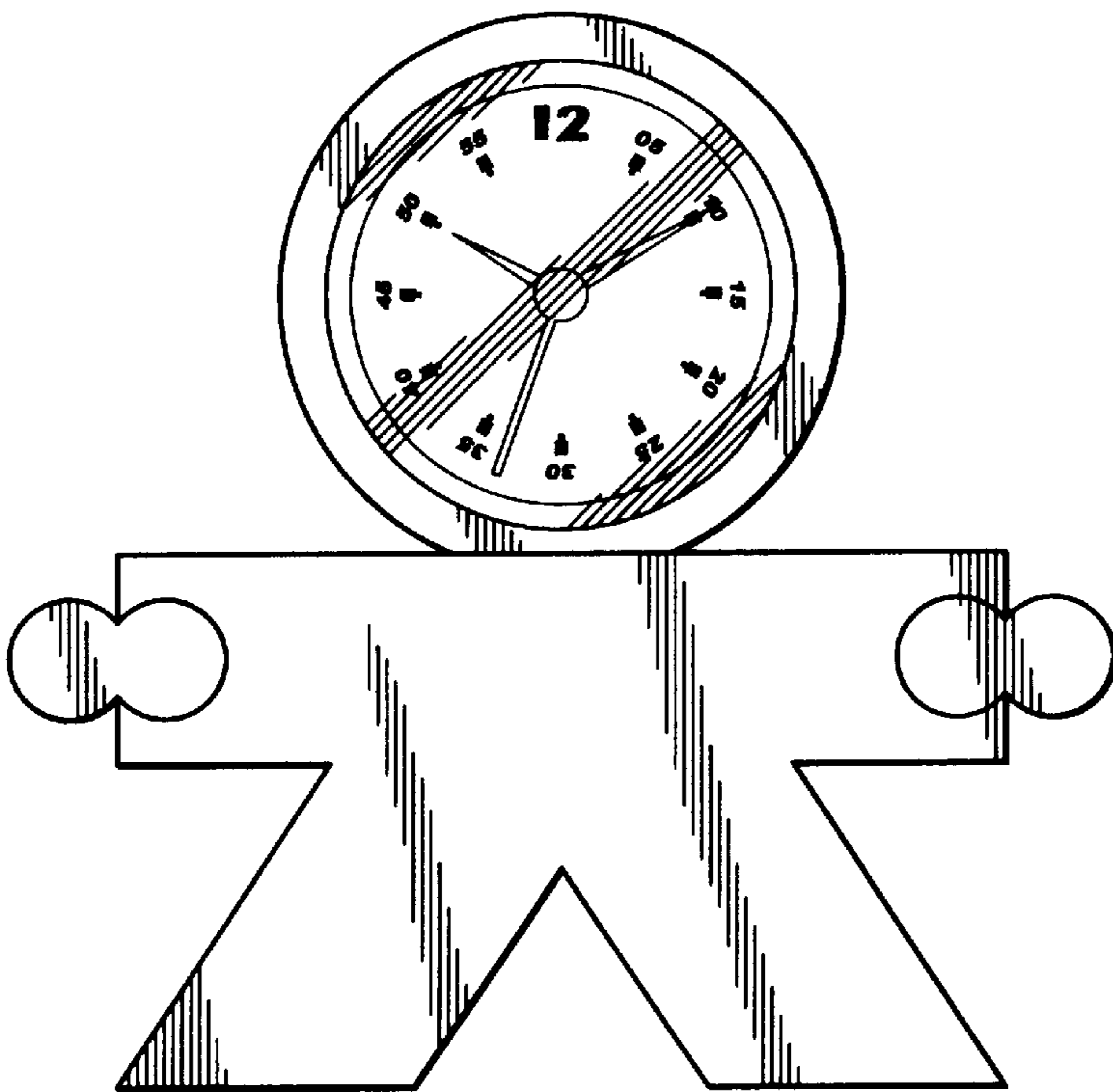


FIG. 3

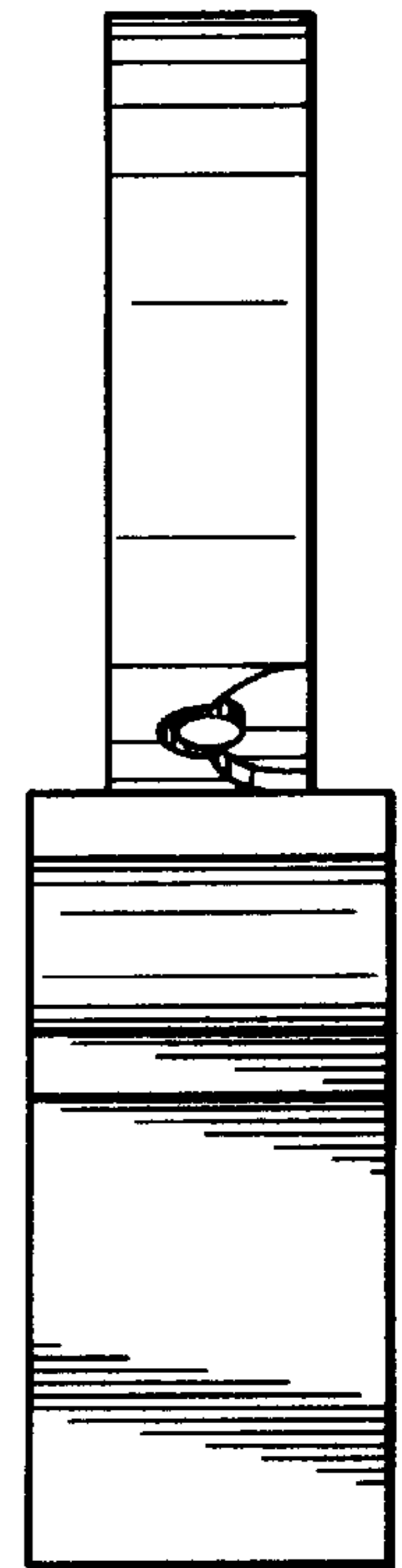


FIG. 4

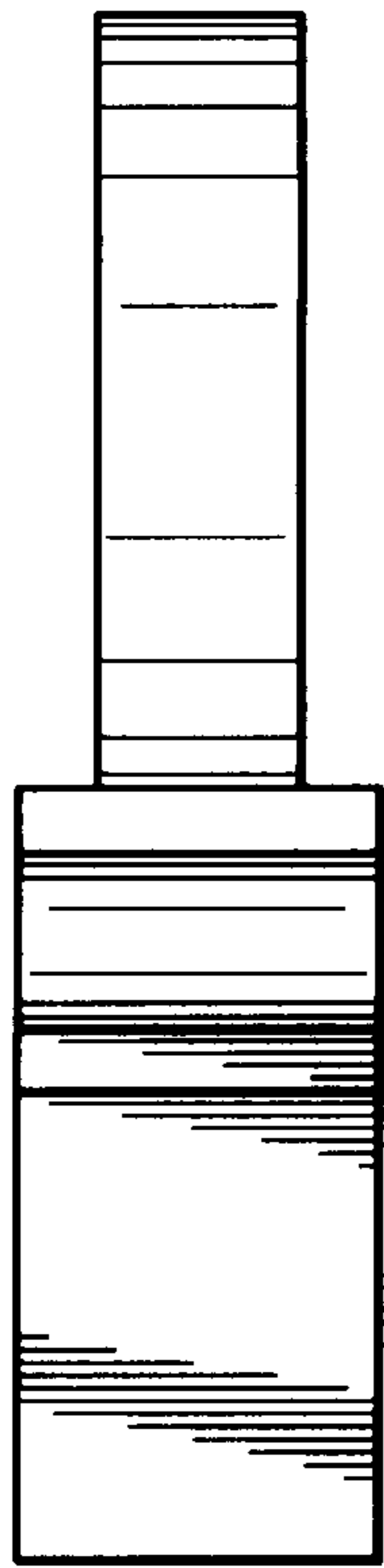


FIG. 7

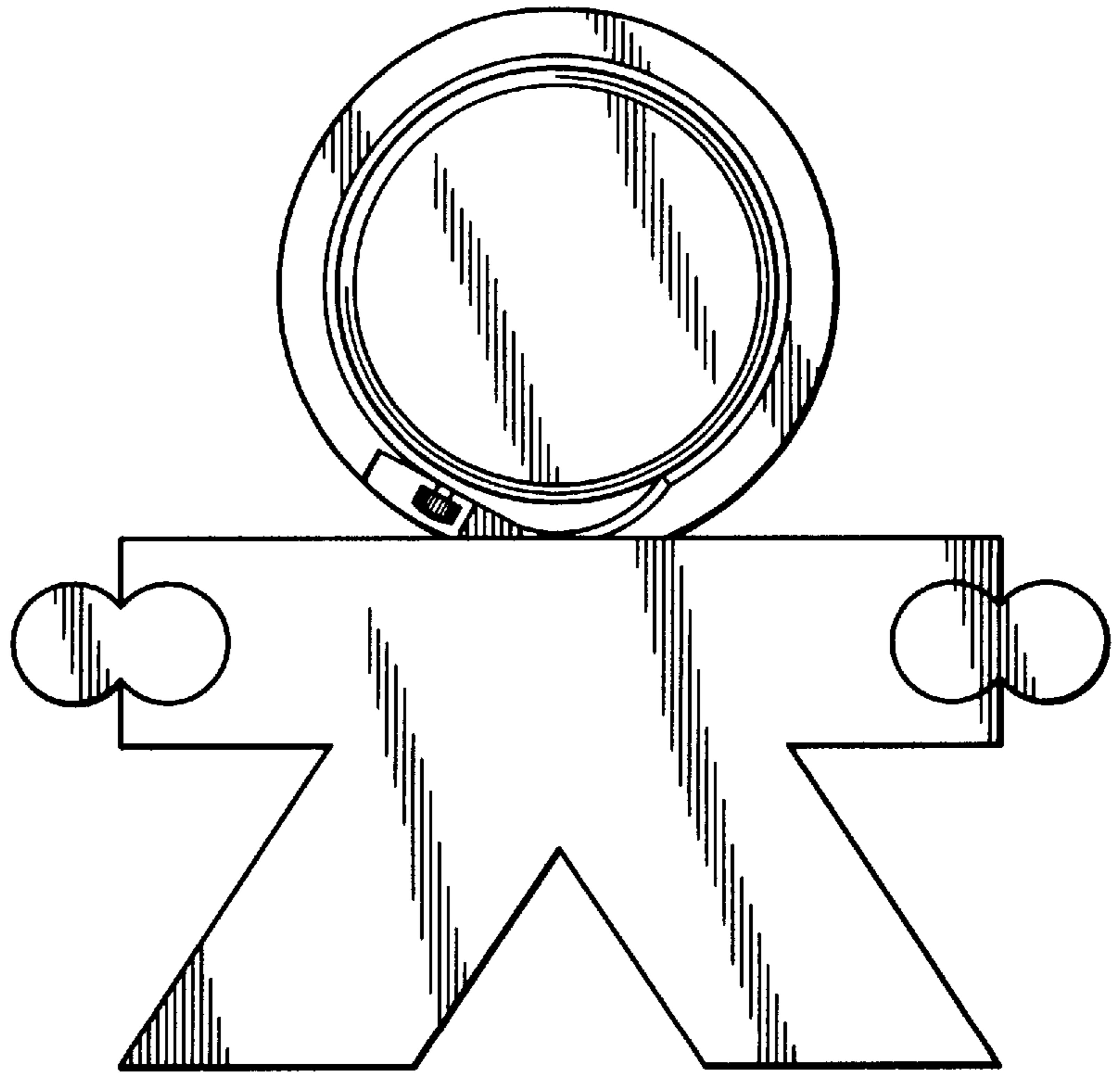


FIG. 6

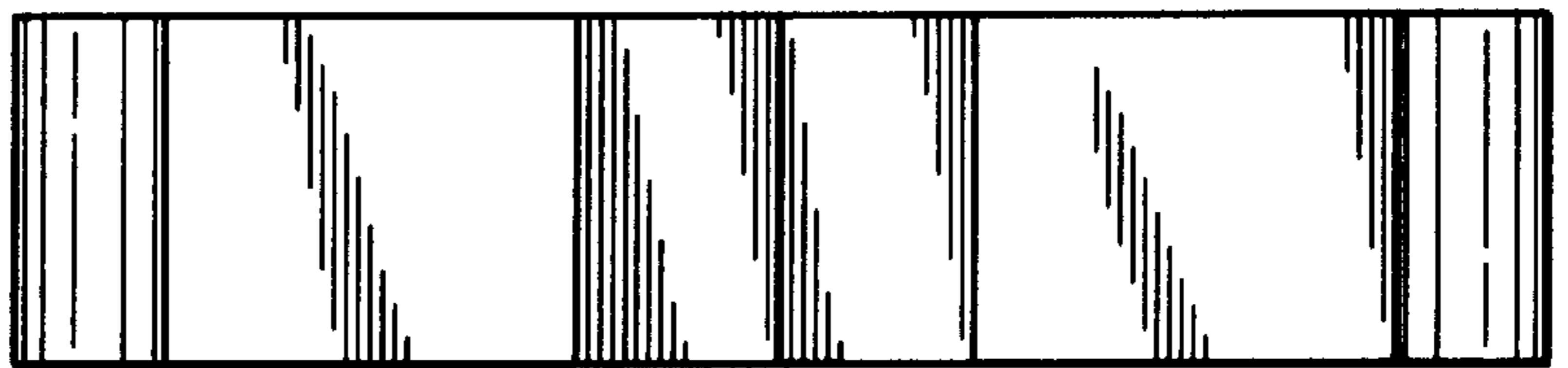


FIG. 8