



US00D417151S

# United States Patent [19] Spengler

[11] **Patent Number: Des. 417,151**

[45] **Date of Patent: \*\* Nov. 30, 1999**

[54] **CUSHION GRIP HANDLE**

[75] Inventor: **William E. Spengler**, Perrysburg, Ohio

[73] Assignee: **Tolco Corporation**, Toledo, Ohio

[\*\*] Term: **14 Years**

[21] Appl. No.: **29/086,824**

[22] Filed: **Apr. 21, 1998**

[51] **LOC (6) Cl. .... 09-07**

[52] **U.S. Cl. .... D9/448**

[58] **Field of Search** ..... D9/448; D8/88;  
D23/213, 226, 225; 169/88; 222/402.1,  
402.4, 402.11, 402.15, 383.1, 321.8; 239/525-6

[56] **References Cited**

**U.S. PATENT DOCUMENTS**

D. 376,318	12/1996	Hildebrand	.....	D9/448
D. 394,491	5/1998	Guo	.....	D23/226
4,826,052	5/1989	Micallef	.....	222/383.1
5,152,436	10/1992	Maas et al.	.....	222/383.1

5,207,359 5/1993 Stijns ..... 222/383.1  
5,332,159 7/1994 Grime et al. .... 239/526

*Primary Examiner*—Robin V. Taylor  
*Attorney, Agent, or Firm*—Emch, Schaffer, Schaub & Porcello Co., L.P.A.

[57] **CLAIM**

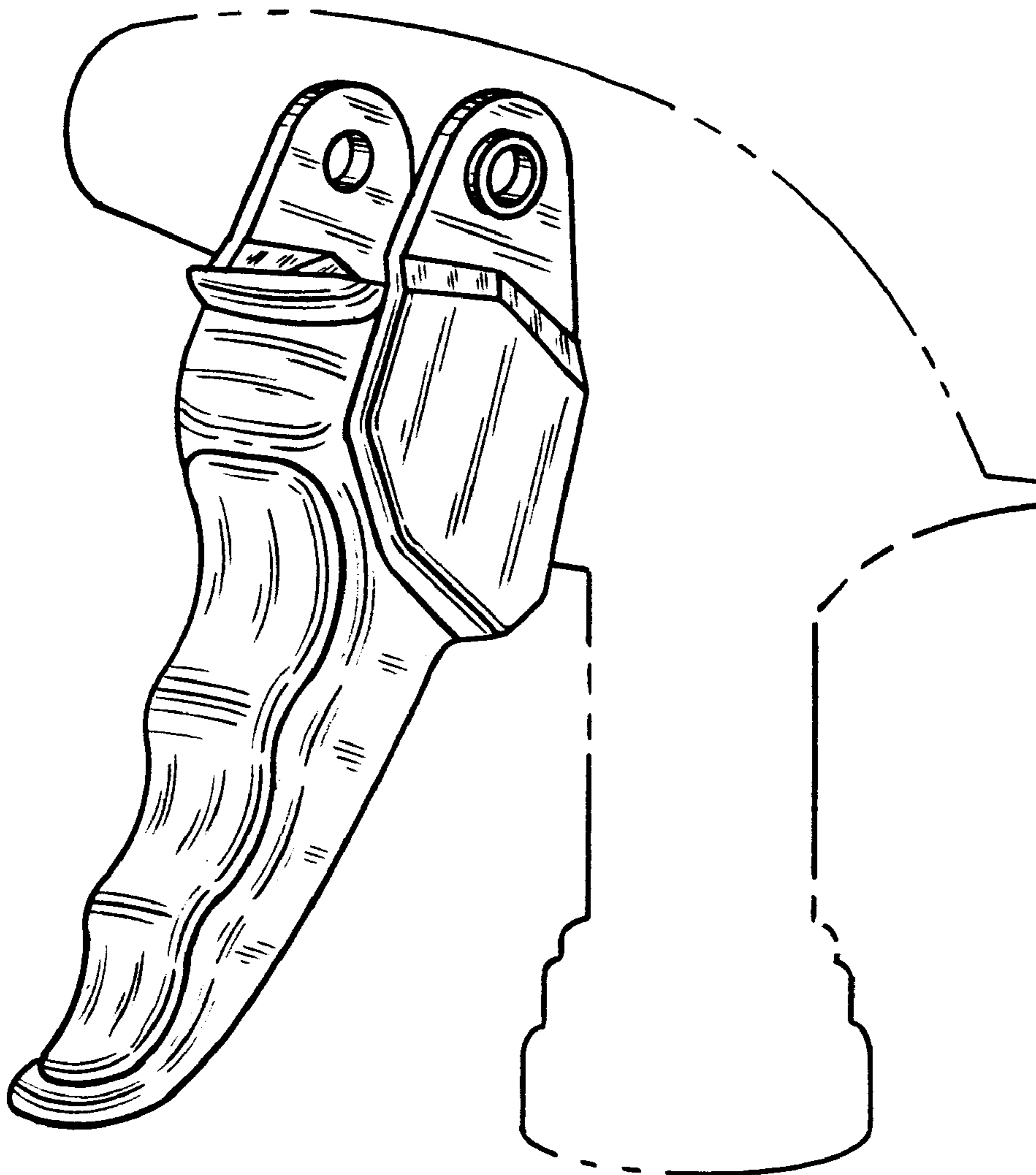
The ornamental design for a cushion grip handle, as shown and described.

**DESCRIPTION**

FIG. 1 is a perspective view of the cushion grip handle of the present invention;  
FIG. 2 is a left side elevation view;  
FIG. 3 is a front view of the invention;  
FIG. 4 is a back view of the handle of the present invention;  
FIG. 5 is a right side elevation view;  
FIG. 6 is a top view; and,  
FIG. 7 is a bottom view.

The broken line showing in FIG. 1 is for illustrative purposes only and forms no part of the claimed design.

**1 Claim, 3 Drawing Sheets**



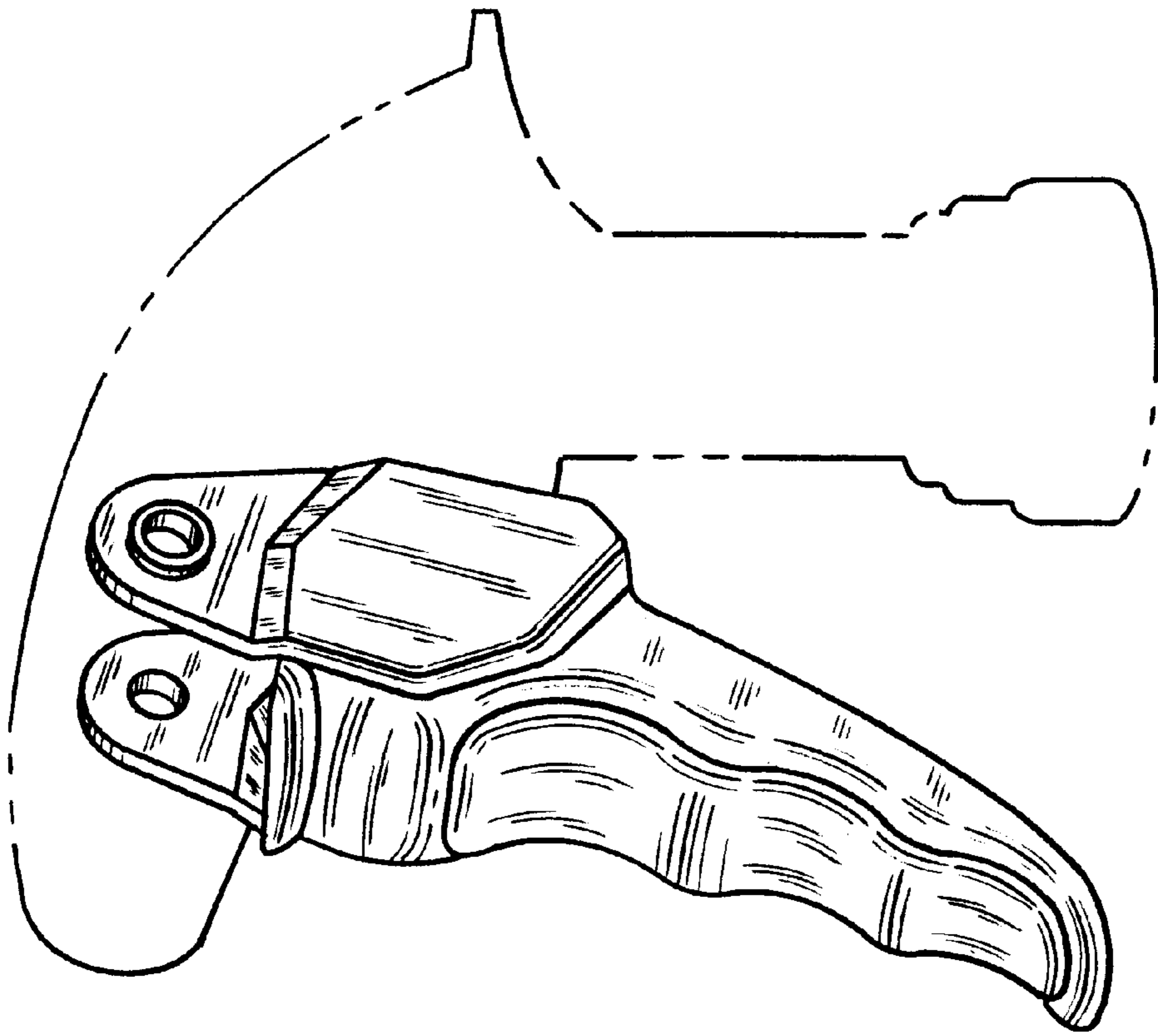
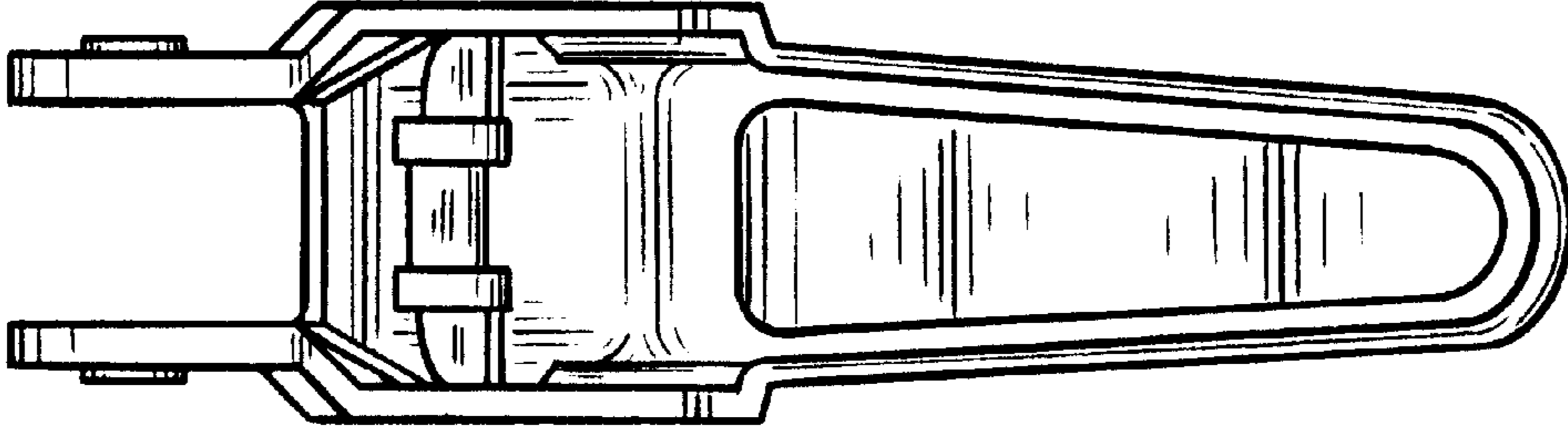
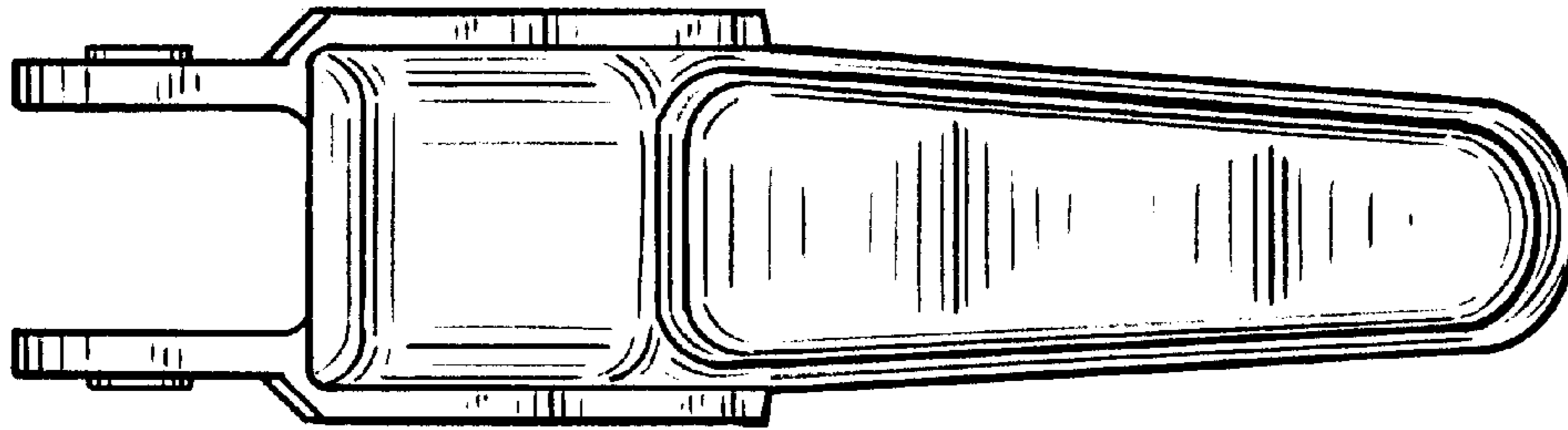


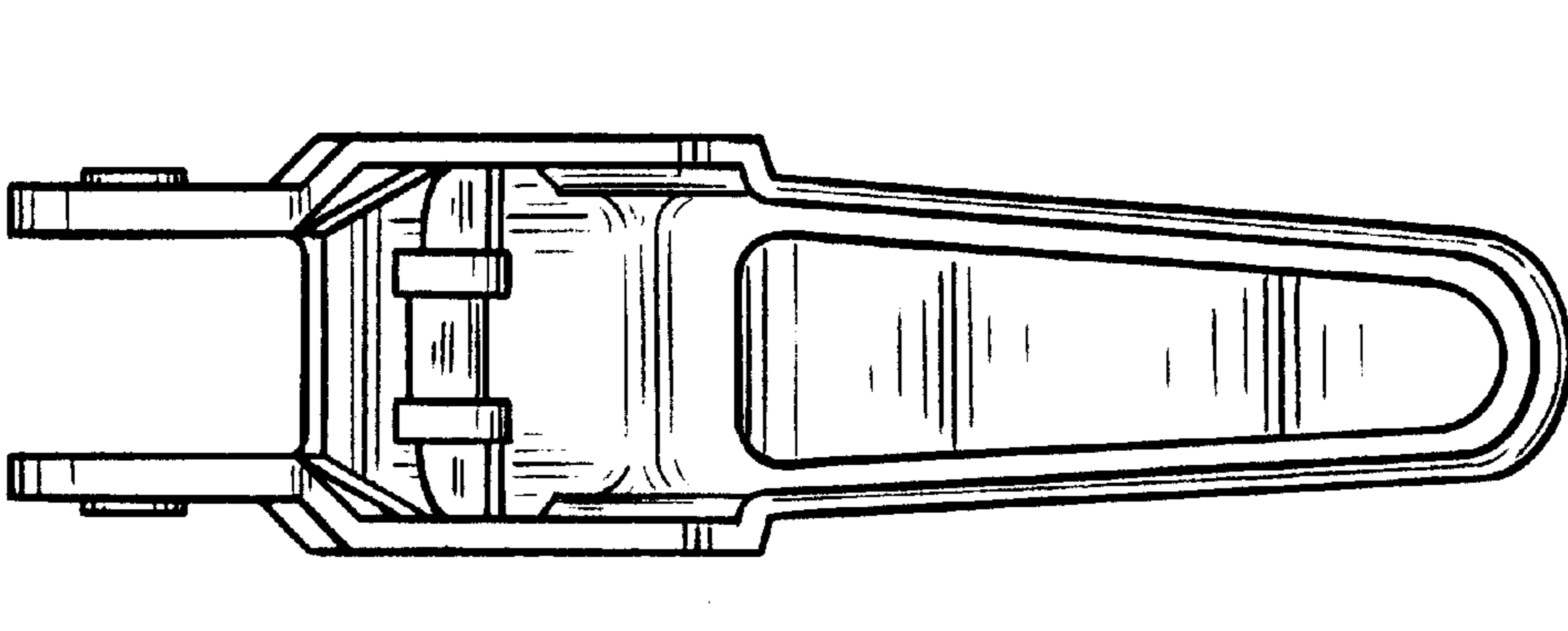
FIG. 1



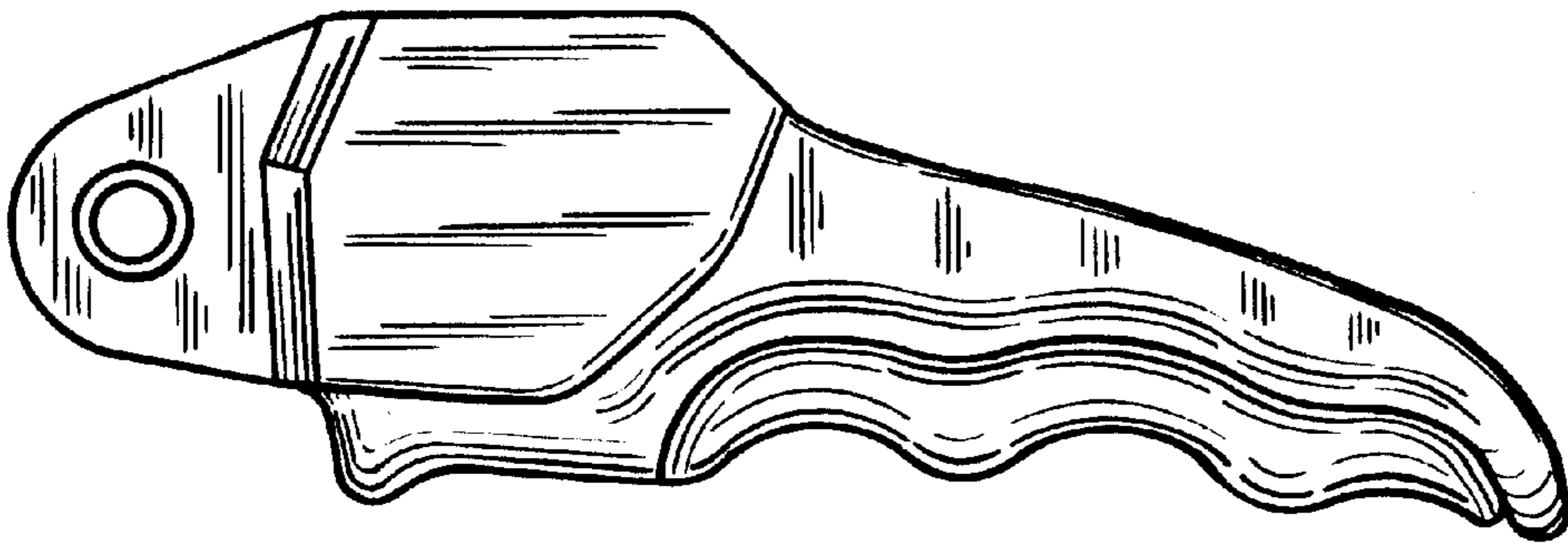
—FIG. 2



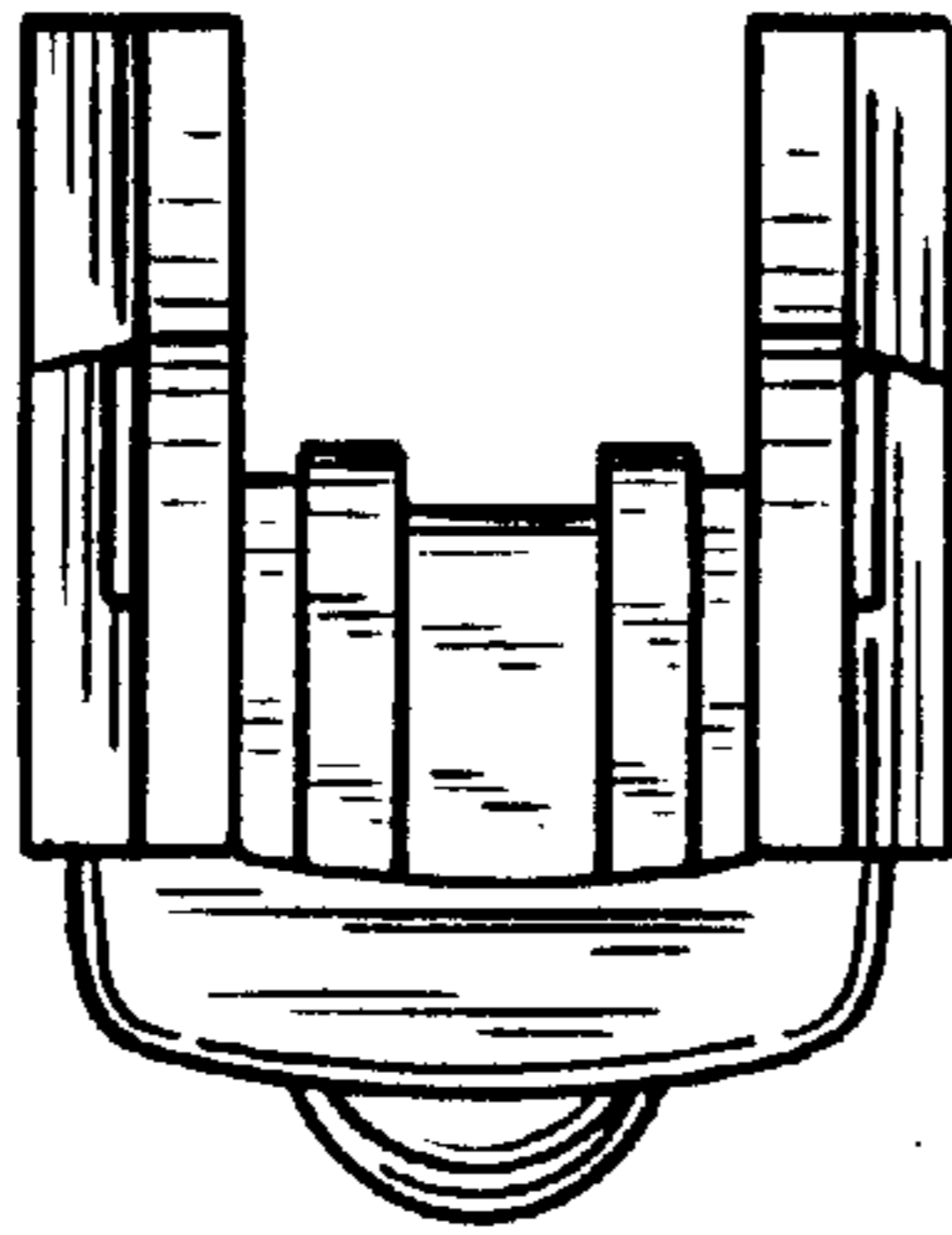
—FIG. 3



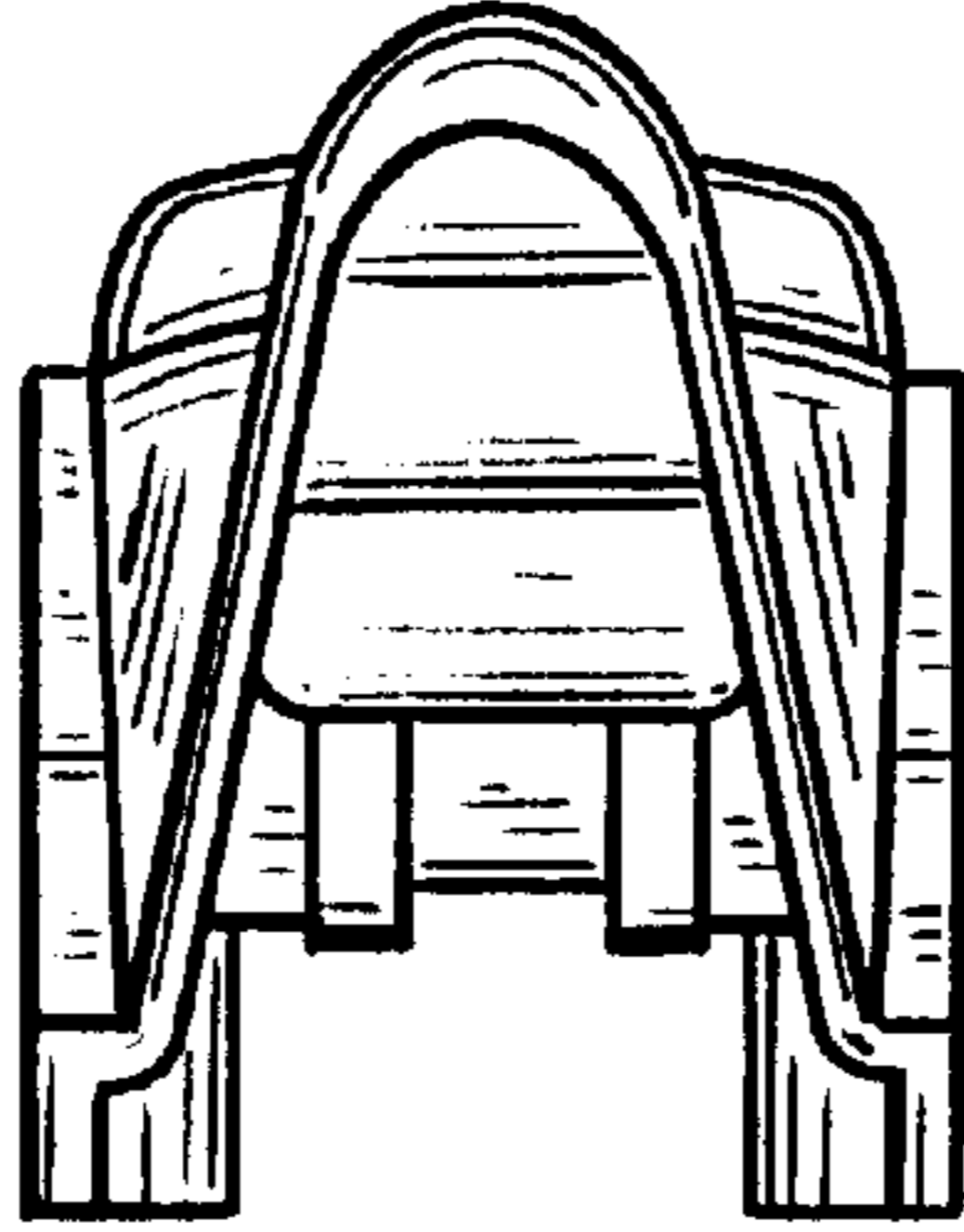
—FIG. 4



—FIG. 5



—FIG. 6



—FIG. 7