



US00D417150S

# United States Patent [19] Shapiro

[11] **Patent Number: Des. 417,150**

[45] **Date of Patent: \*\* Nov. 30, 1999**

[54] **OUTER COVER FOR ONE-TIME-USE CAMERA**

985184 3/1965 United Kingdom ..... 206/316.2

[75] Inventor: **James L. Shapiro**, Rochester, N.Y.

*Primary Examiner*—Nanda Bondade  
*Attorney, Agent, or Firm*—Roger A. Fields

[73] Assignee: **Eastman Kodak Company**, Rochester, N.Y.

[57] **CLAIM**

[\*\*] Term: **14 Years**

The ornamental design for an outer cover for one-time-use camera, as shown and described.

[21] Appl. No.: **29/092,059**

**DESCRIPTION**

[22] Filed: **Aug. 11, 1998**

[51] **LOC (6) Cl.** ..... **09-03**

[52] **U.S. Cl.** ..... **D9/432; D9/433; D16/208; D16/237**

[58] **Field of Search** ..... D9/337, 418, 432, D9/433; D16/200–205, 208, 237; 206/316.2, 455, 456; 396/6, 60, 375, 440, 511, 535

FIG. 1 is a front elevation view of an outer cover for a one-time-use camera, showing my new design;

FIG. 2 is a top plan view thereof;

FIG. 3 is a bottom plan view thereof;

FIG. 4 is a right-side elevation view thereof;

FIG. 5 is a left-side elevation view thereof;

FIG. 6 is a perspective view of the outer cover of FIGS. 1–5 placed on the one-time-use camera (shown in broken lines), as seen from the front, top and right-side of the one-time-use camera; and,

FIG. 7 is a perspective view of the outer cover of FIGS. 1–5 placed on the one-time-use camera (shown in broken lines), as seen from the rear, bottom, and left-side of the one-time-use camera.

The broken line showing of the one-time-use camera in FIGS. 6 and 7 is for illustrative purposes only and forms no part of the claimed design.

FIGS. 6 and 7 are on an enlarged scale.

[56] **References Cited**

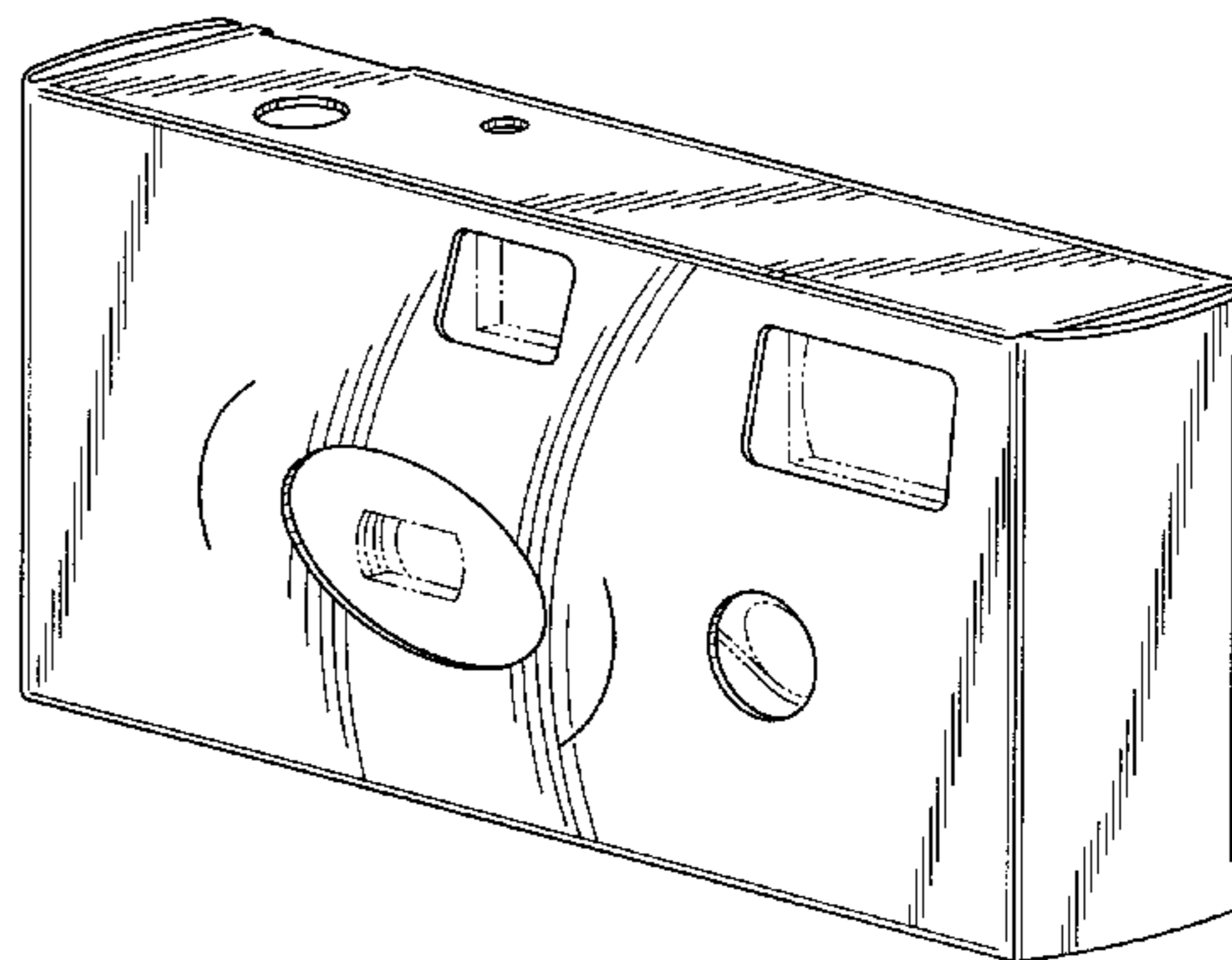
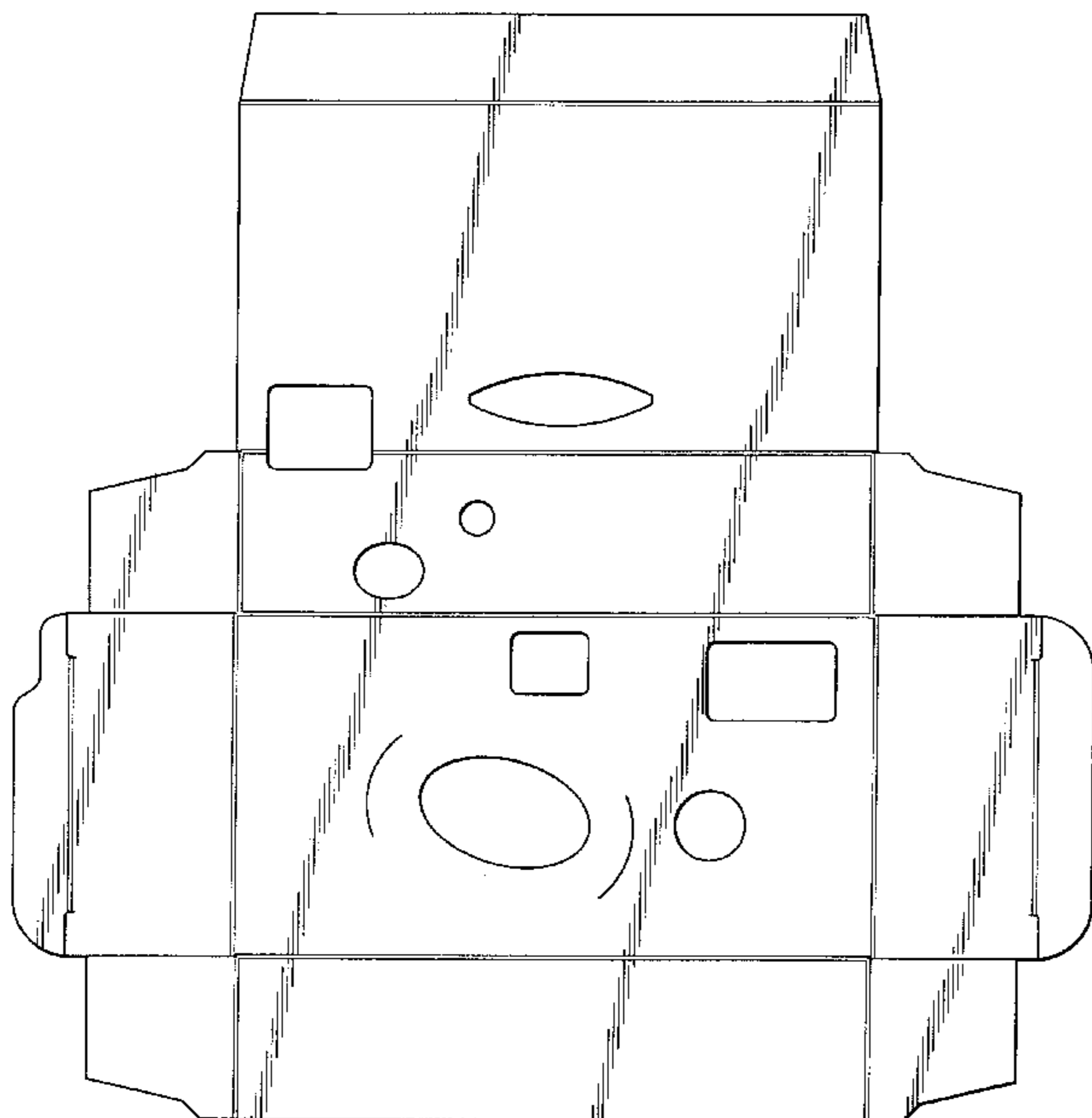
**U.S. PATENT DOCUMENTS**

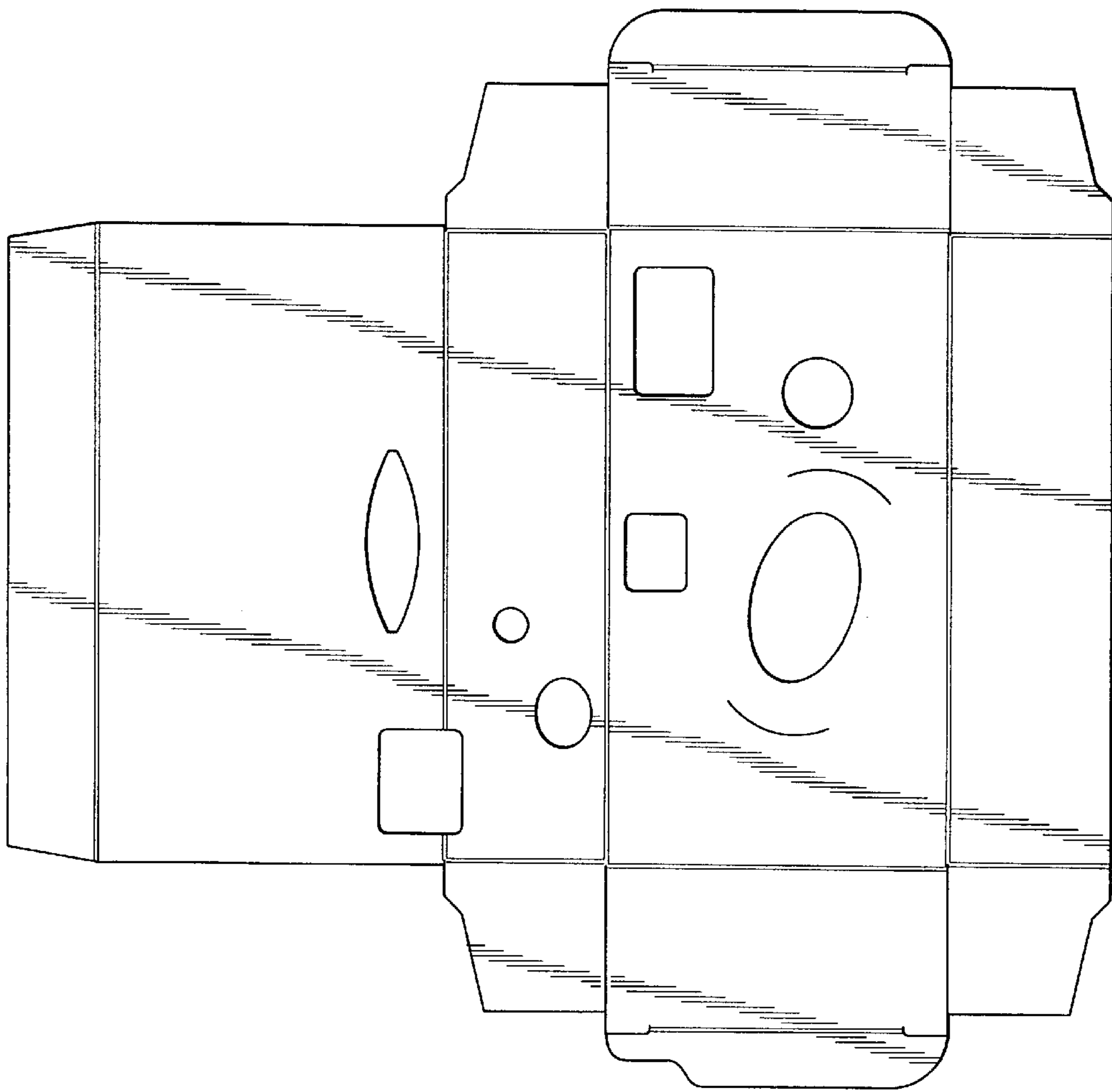
D. 346,176	4/1994	Nihei	.....	D16/208	X
D. 371,069	6/1996	Chapman et al.	.....	D9/337	
D. 381,902	8/1997	Chapman et al.	.....	D9/433	
3,053,299	9/1962	Lang	.....	206/316.2	
5,488,445	1/1996	Oi et al.	.....	396/6	
5,506,646	4/1996	Dunsmore et al.	.....	396/6	X

**FOREIGN PATENT DOCUMENTS**

2338945	2/1975	Germany	.....	206/316.2	
---------	--------	---------	-------	-----------	--

**1 Claim, 4 Drawing Sheets**





*FIG. 1*



FIG. 2



FIG. 3

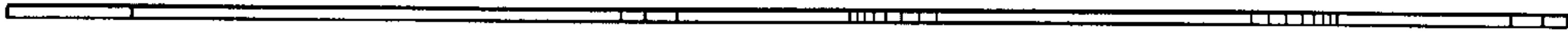


FIG. 4



FIG. 5

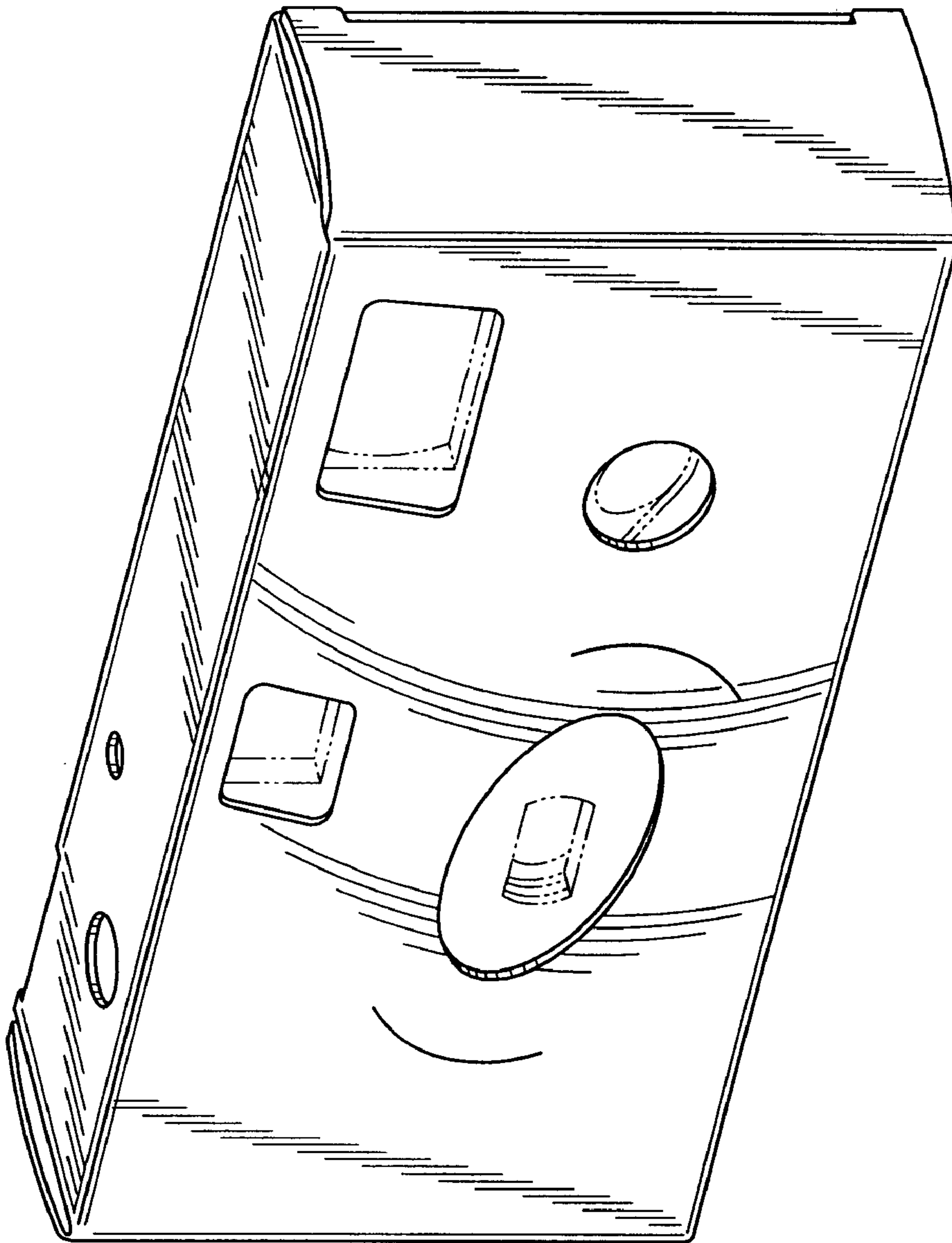


FIG. 6

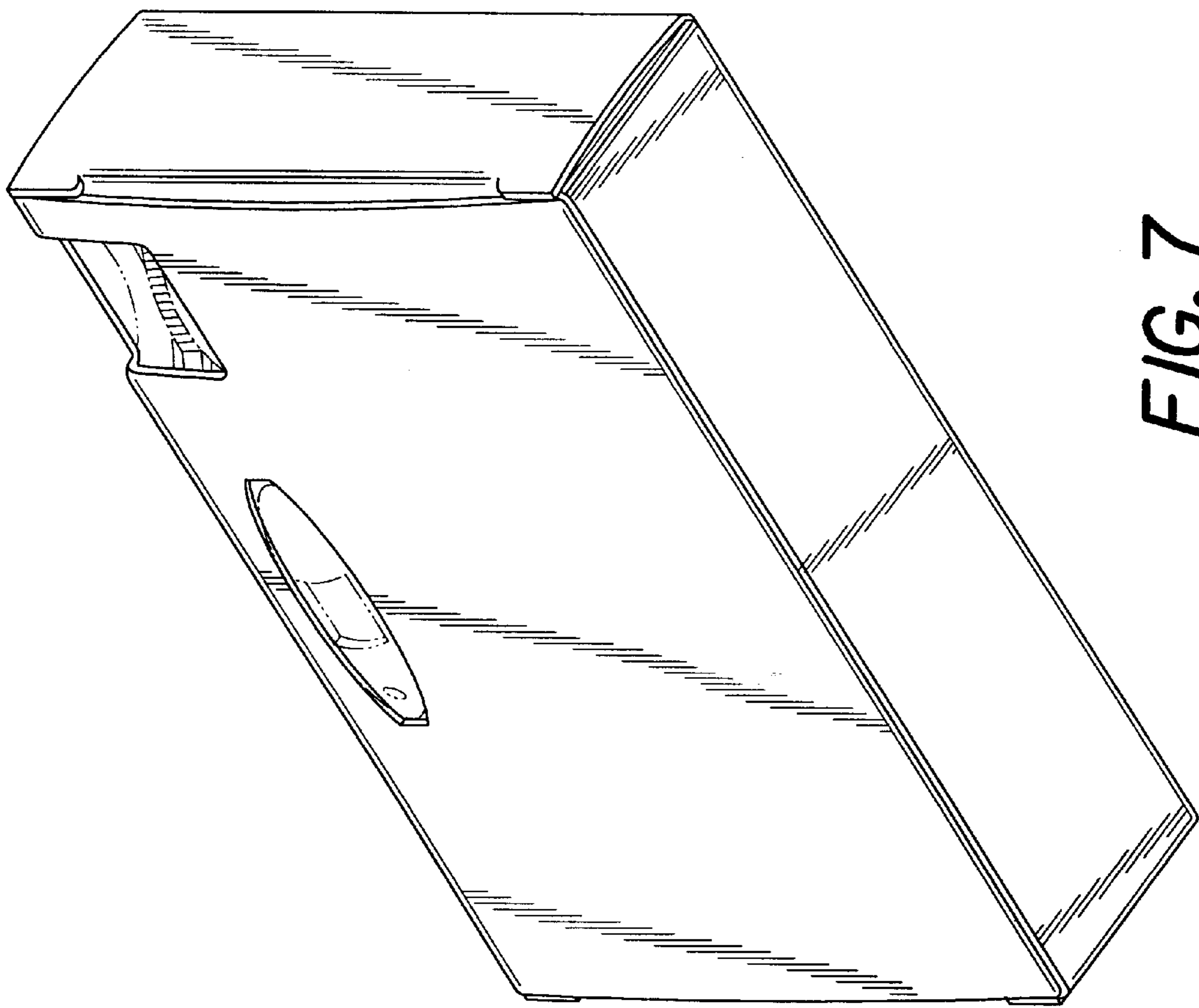


FIG. 7