



US00D417146S

United States Patent [19]

St. Pierre et al.

[11] **Patent Number: Des. 417,146**

[45] **Date of Patent: ** Nov. 30, 1999**

[54] **MULTI-CONTAINER PACKAGE**

5,472,093 12/1995 Nugent et al. 206/539 X

[75] Inventors: **Dane T. St. Pierre**, Cornwall; **Kevin J. Gosling**, Longsault, both of Canada

Primary Examiner—Philip S. Hyder
Assistant Examiner—Nanda Bondade
Attorney, Agent, or Firm—Thomas A. Marcoux; Thomas R. Savoie

[73] Assignee: **Kraft Canada Inc**, Don Mills, Canada

[**] Term: **14 Years**

[57] CLAIM

[21] Appl. No.: **29/082,806**

The ornamental design of a multi-container package, as shown and described.

[22] Filed: **Nov. 25, 1997**

DESCRIPTION

[51] **LOC (6) Cl.** **09-03**

[52] **U.S. Cl.** **D9/345**

[58] **Field of Search** D9/341, 345, 414, D9/415, 418, 424; 206/461, 526, 820, 539

FIG. 1 is a top and front perspective view of the multi-container package;

FIG. 2 is a top view thereof;

FIG. 3 is a left side view thereof, the right side view being a mirror image;

FIG. 4 is a front view thereof, the rear view being identical; and,

FIG. 5 is a bottom view thereof.

The broken line showing of the letters on FIGS. 1, 2 and 5 is for illustrative purposes only and forms no part of the claimed design.

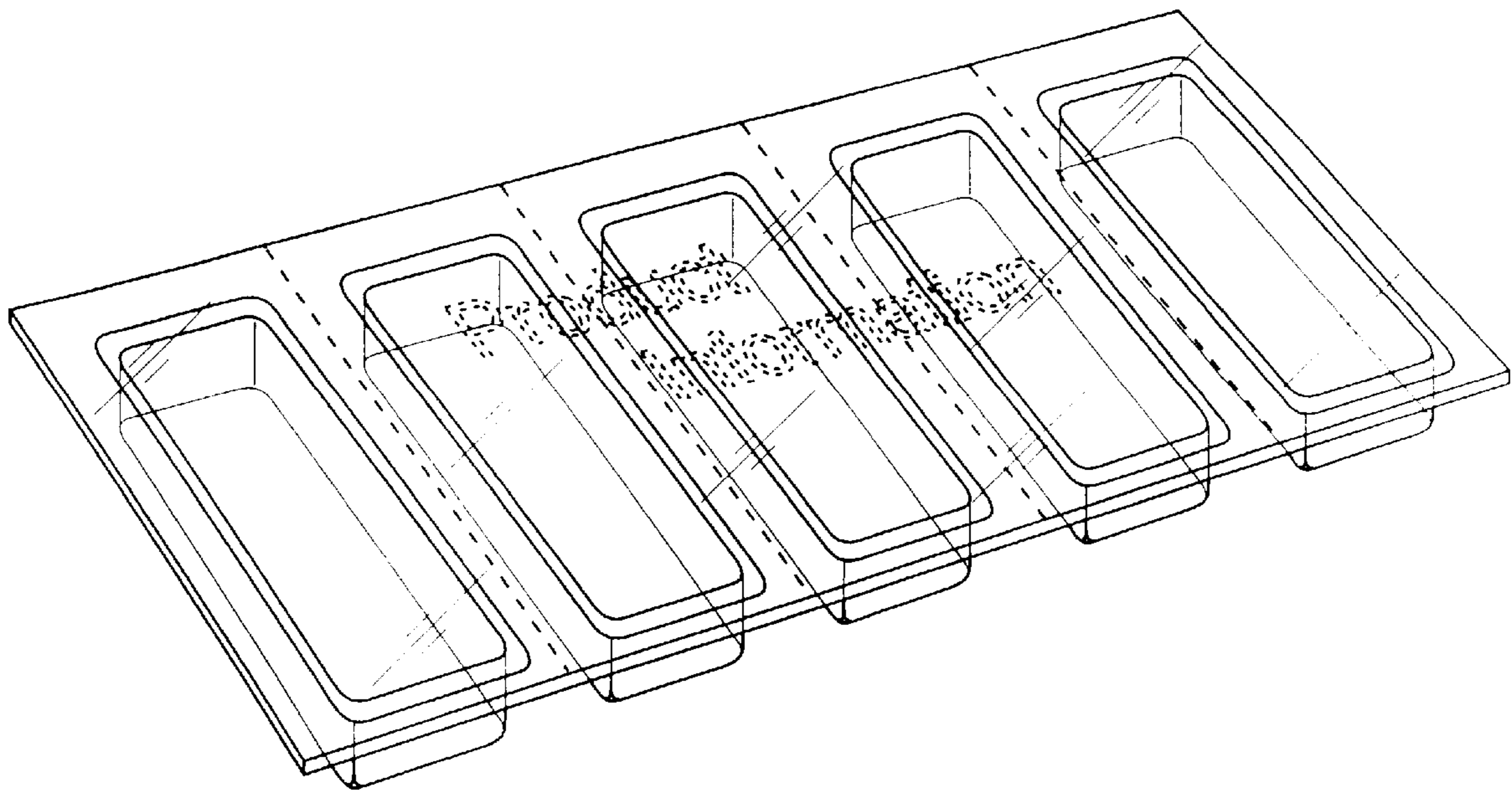
The broken lines shown between the individual containers on FIGS. 1, 2 and 5 represent tear lines.

[56] References Cited

U.S. PATENT DOCUMENTS

D. 262,095	12/1981	Takahashi	D9/341
D. 271,081	10/1983	Noble	D9/341
3,202,272	8/1965	Jertzog	206/526
3,605,374	9/1971	Mueller et al.	206/526
3,809,221	5/1974	Compere	206/461
3,983,999	10/1976	Morton	206/498
4,193,498	3/1980	Powling	206/820 X
4,901,505	2/1990	Williams, Jr.	53/412

1 Claim, 2 Drawing Sheets



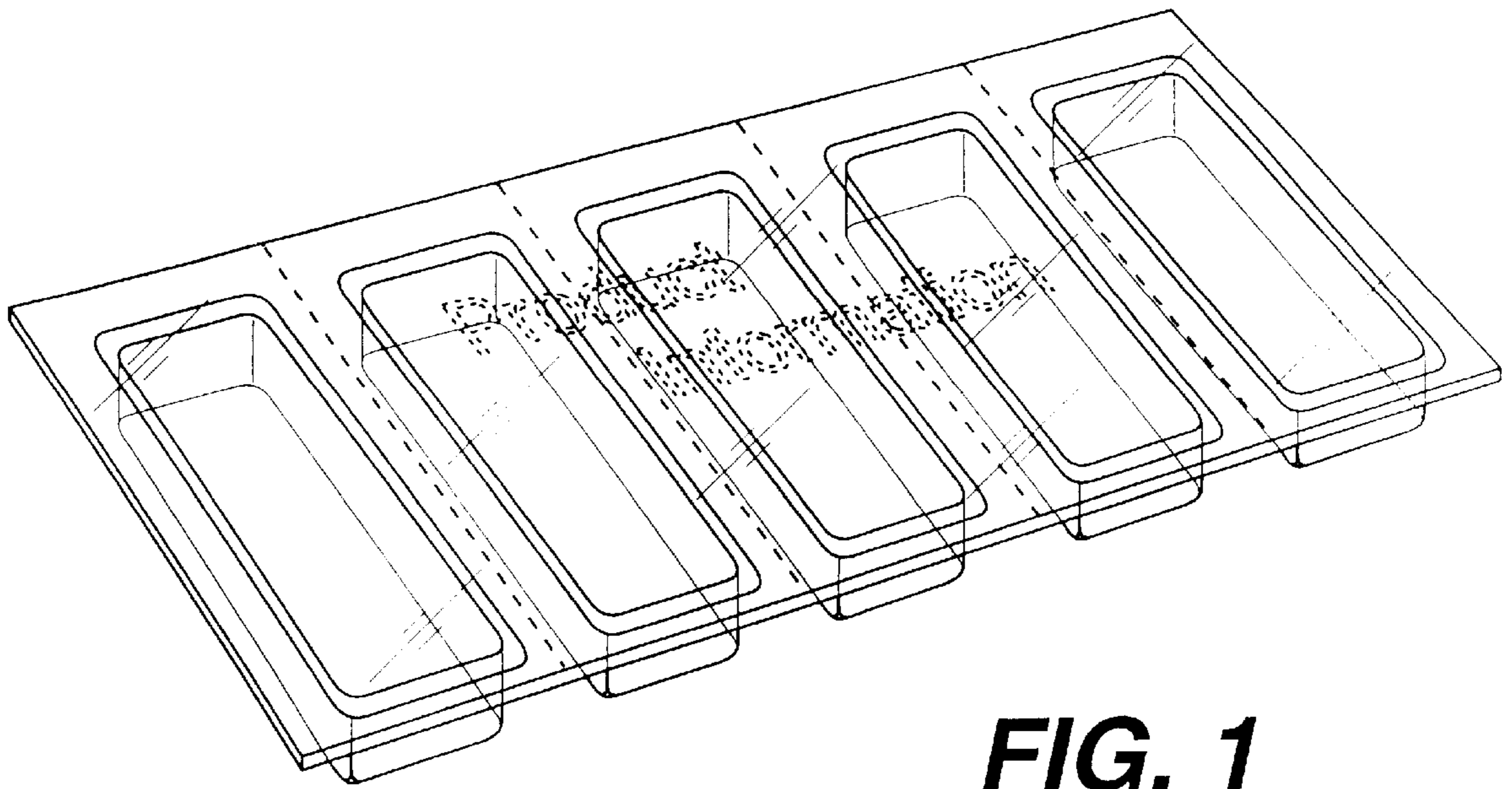


FIG. 1

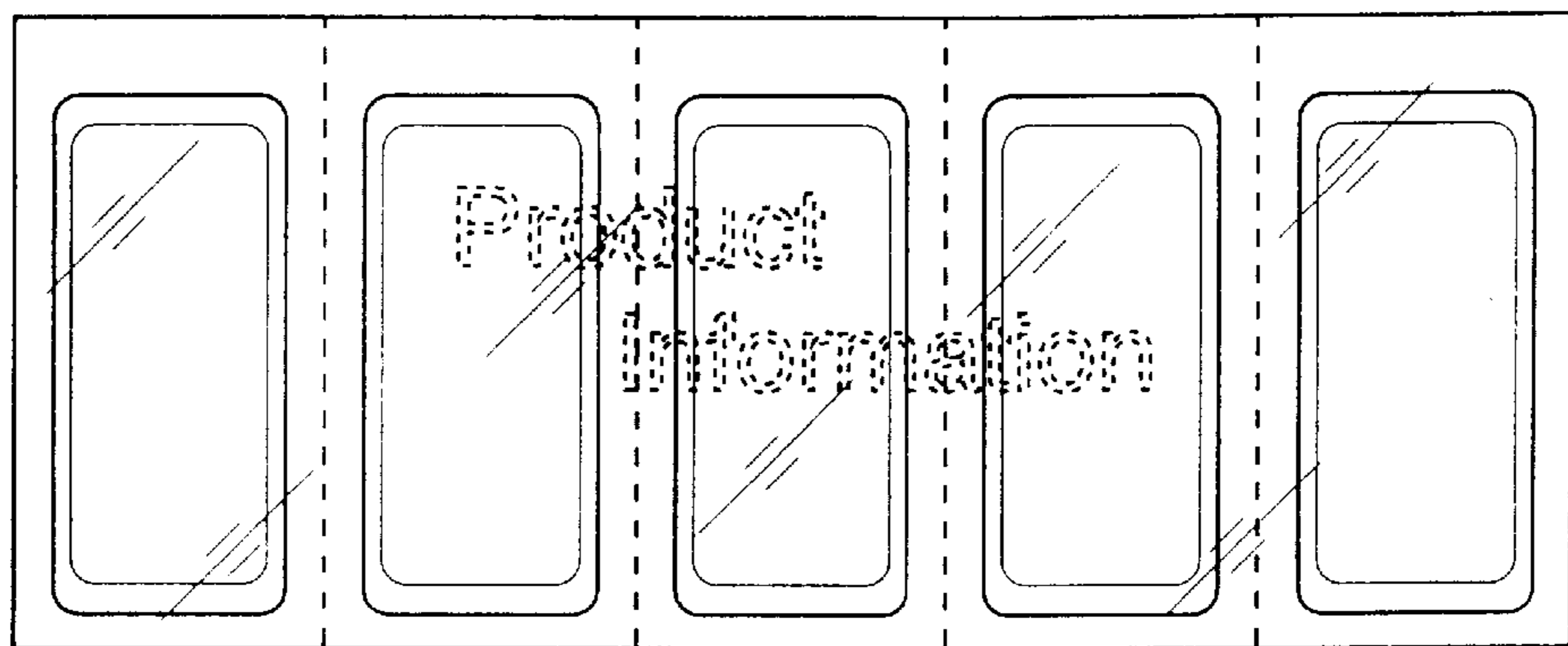


FIG. 2

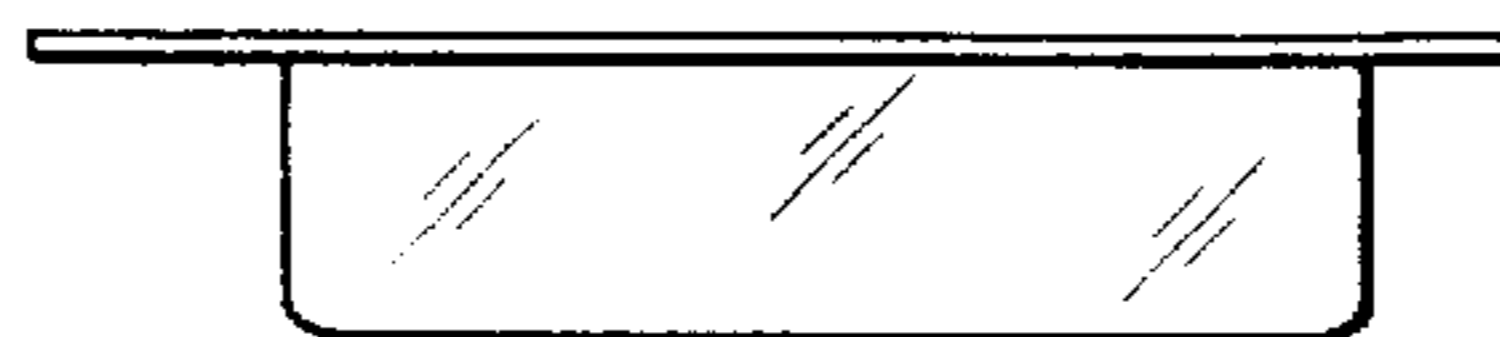


FIG. 3

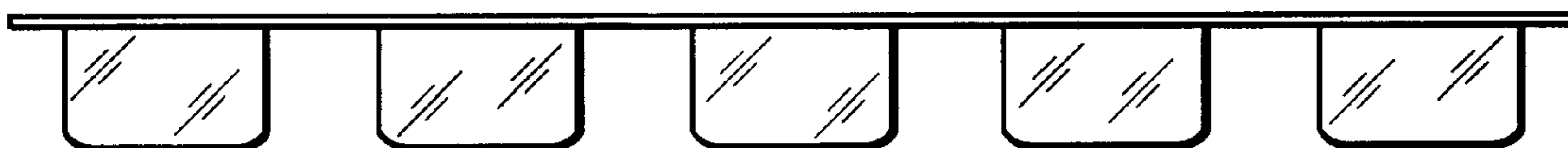


FIG. 4

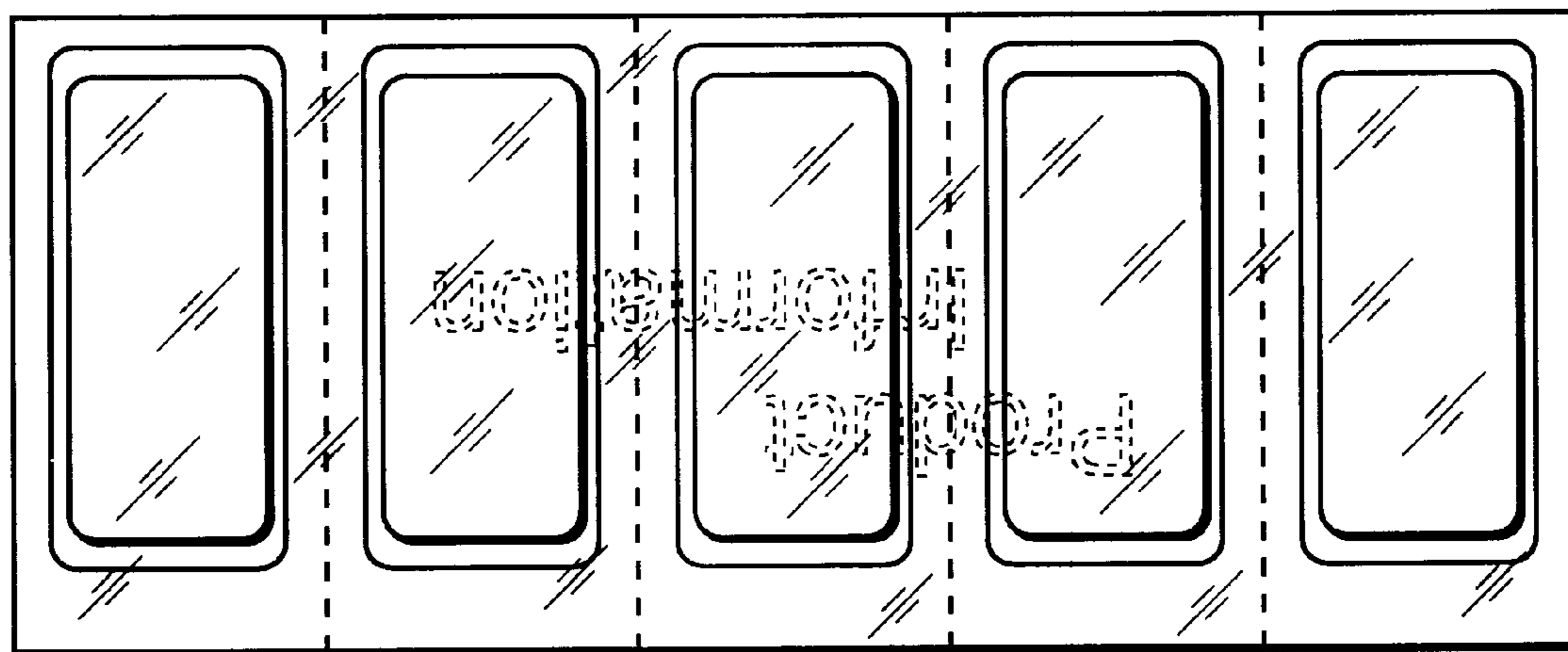


FIG. 5