



US00D417145S

United States Patent [19]
McLaughlin

[11] **Patent Number: Des. 417,145**

[45] **Date of Patent: ** Nov. 30, 1999**

[54] **HOUSING FOR TOUCH POKER DISPLAY SCREEN**

5,820,460 10/1998 Fulton 463/13
5,851,147 12/1998 Stupak et al. 463/13
5,908,353 6/1999 Andrews 463/13

[75] Inventor: **William J. McLaughlin**, Auburn, Calif.

Primary Examiner—Prabhakar Deshmukh
Attorney, Agent, or Firm—Lothrop & West

[73] Assignee: **RGB Display Corporation**, Grass Valley, Calif.

[57] **CLAIM**

[**] Term: **14 Years**

The ornamental design for a housing for touch poker display screen, as shown and described.

[21] Appl. No.: **29/102,448**

DESCRIPTION

[22] Filed: **Mar. 25, 1999**

[51] **LOC (6) Cl.** **21-01**

FIG. 1 is a bottom and rear side perspective view of a housing for touch poker display screen showing my new design;

[52] **U.S. Cl.** **D9/332; D21/325**

FIG. 2 is a top plan view, thereof;

[58] **Field of Search** D21/324-333,

FIG. 3 is an end elevational view, the opposite end elevational view being a mirror image, thereof;

D21/334, 376; D14/124, 125; 463/1-5, 12, 13, 29-35, 46, 47, 49, 50, 51; 273/148 B

FIG. 4 is a front elevational view, thereof;

[56] **References Cited**

FIG. 5 is a rear elevational view, thereof;

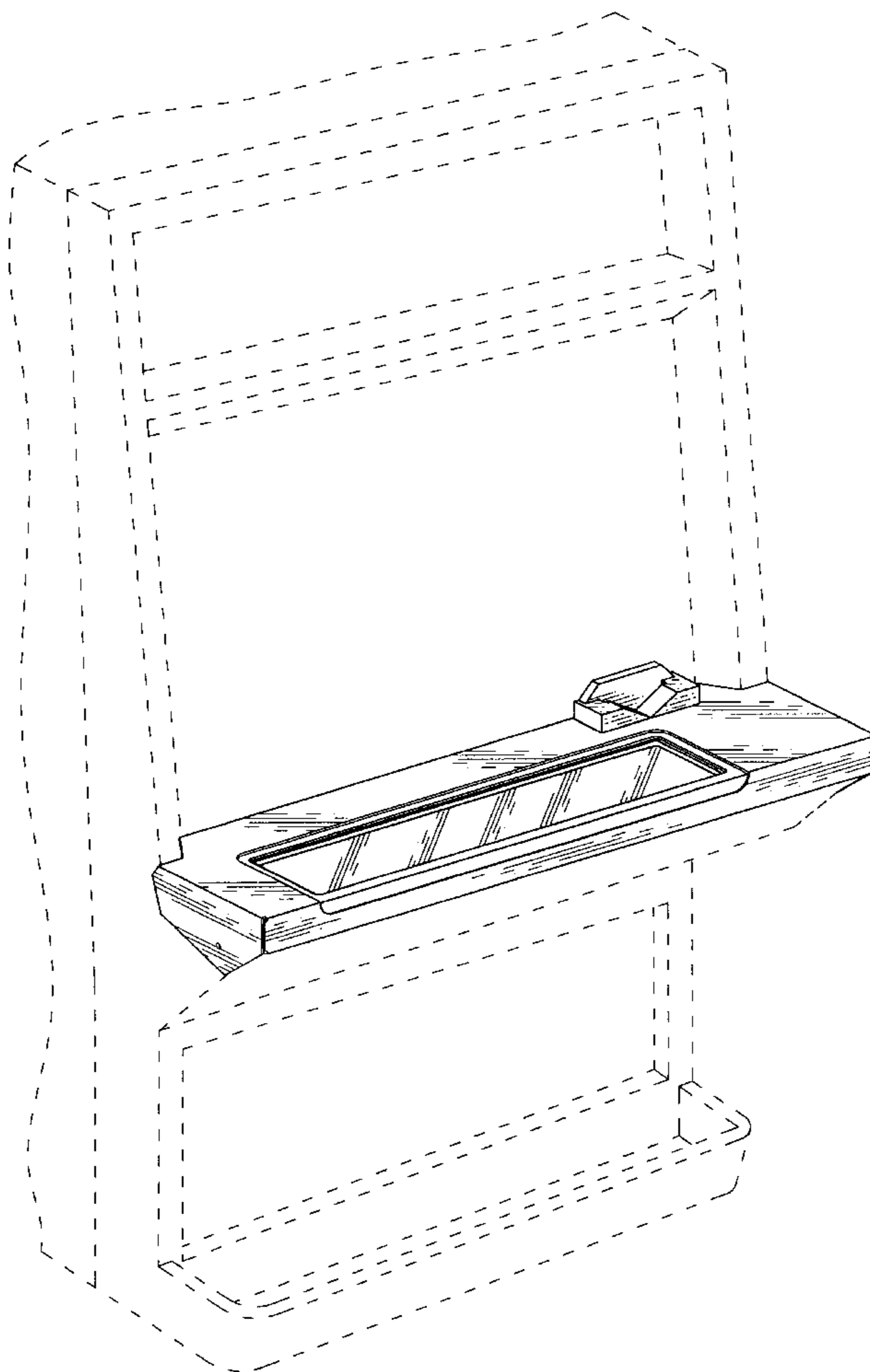
U.S. PATENT DOCUMENTS

FIG. 6 is a bottom plan view, thereof; and,

D. 325,420	4/1992	Mirando et al.	D21/325
D. 327,508	6/1992	Mirando et al.	D21/325
4,401,304	8/1983	Hamano	463/3
5,022,653	6/1991	Suttle et al.	463/13
5,411,257	5/1995	Fulton	463/13
5,591,081	1/1997	Suzuki	463/17

FIG. 7 is a left front perspective view, taken to a reduced scale, the broken line fragmentary representation of the electronic poker machine being included solely for illustrative purposes, and forming no part of the claimed design.

1 Claim, 3 Drawing Sheets



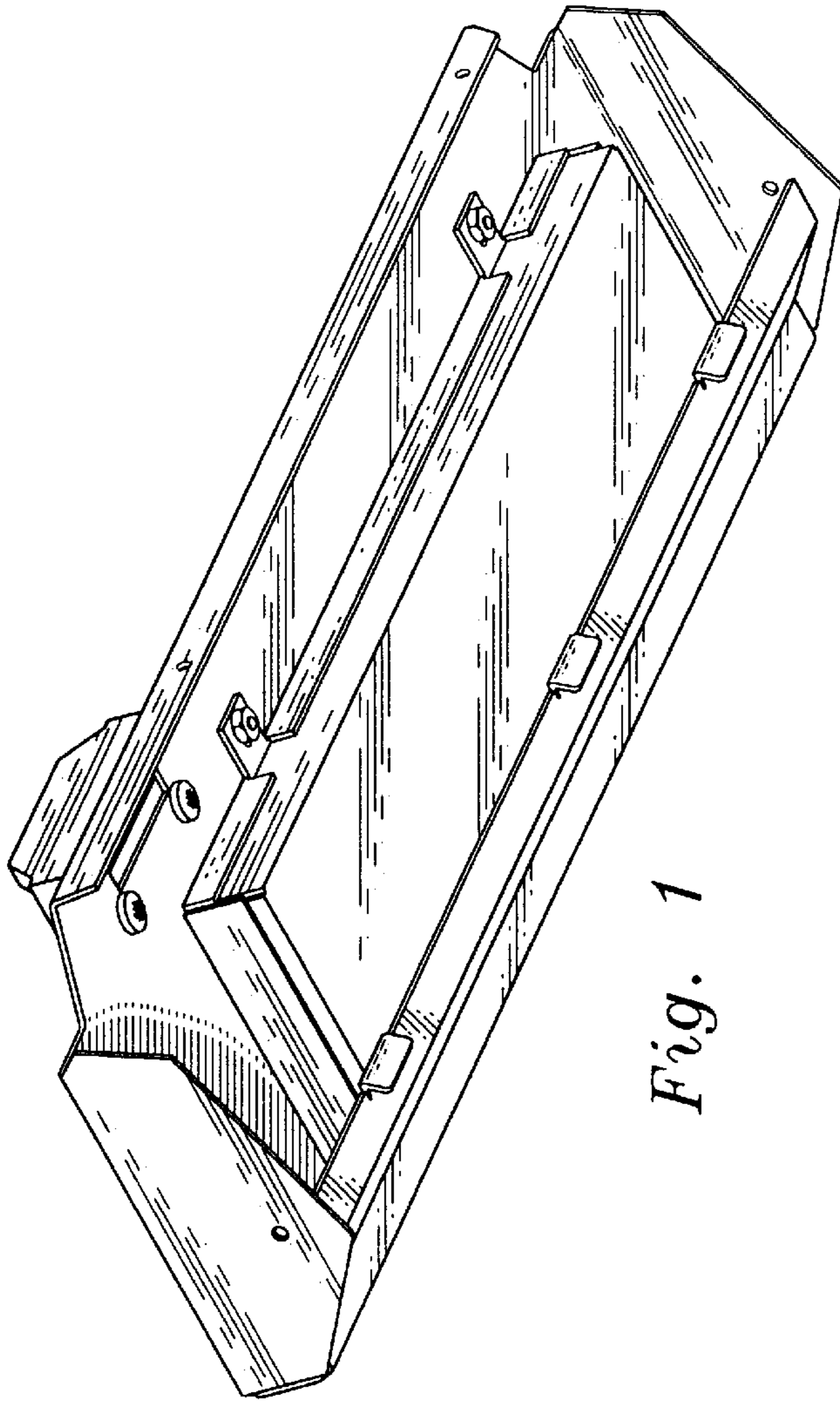


Fig. 1

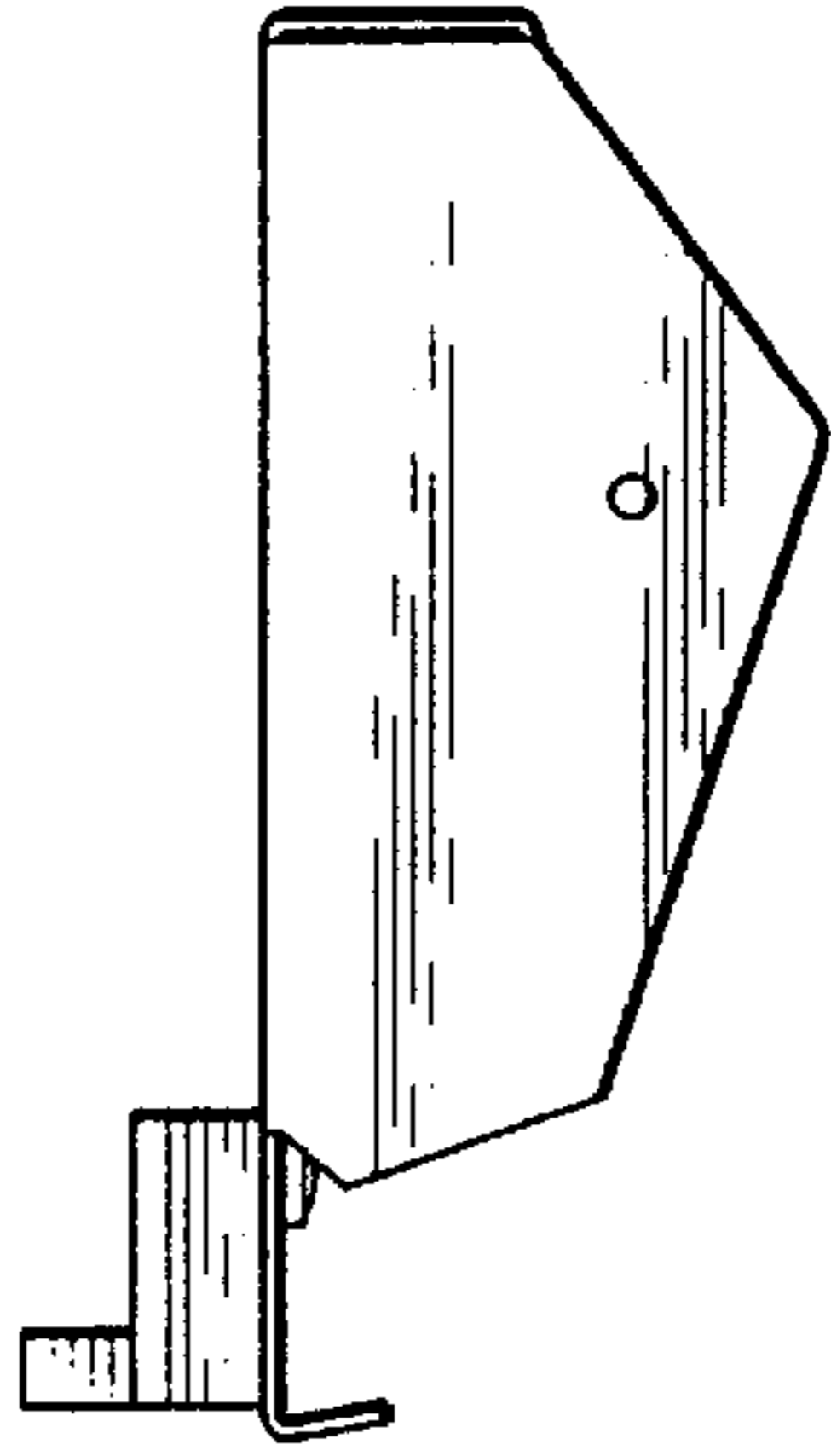


Fig. 3

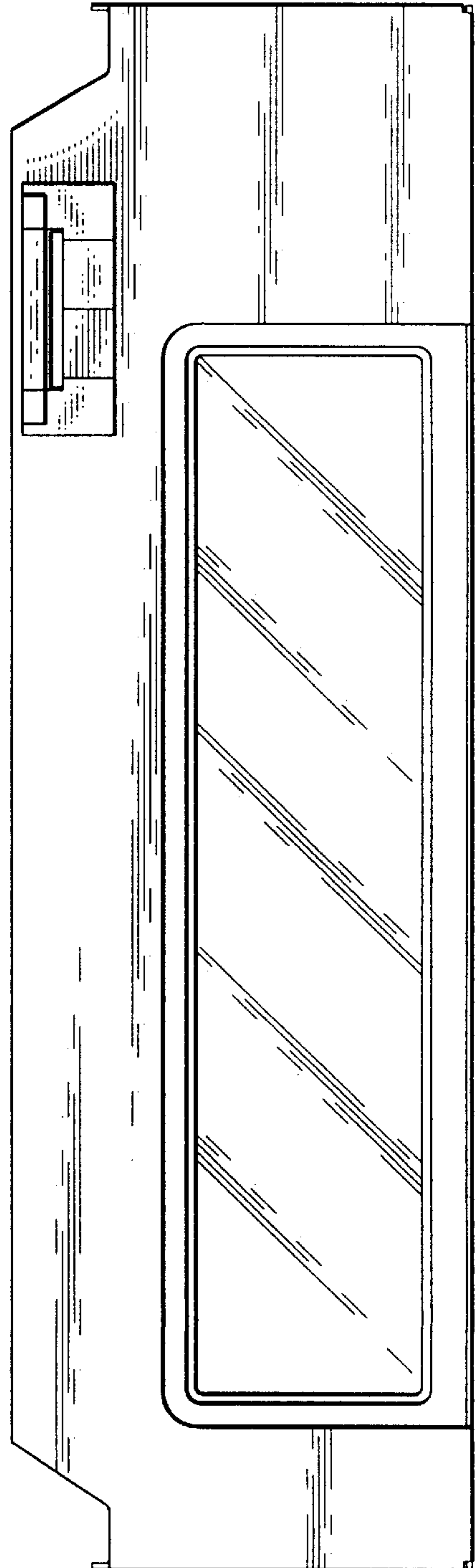


Fig. 2

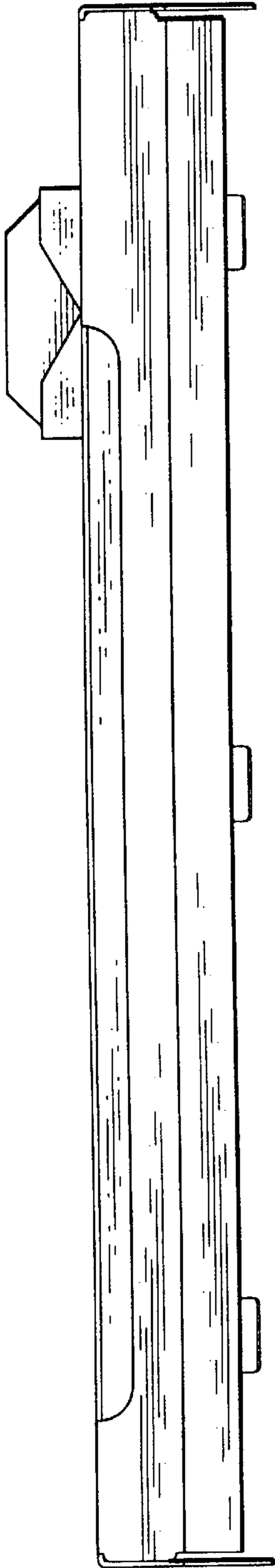


Fig. 4

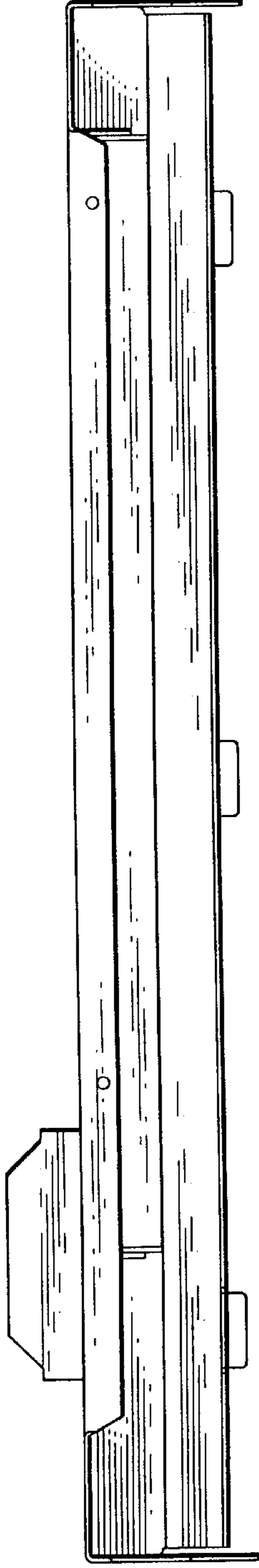


Fig. 5

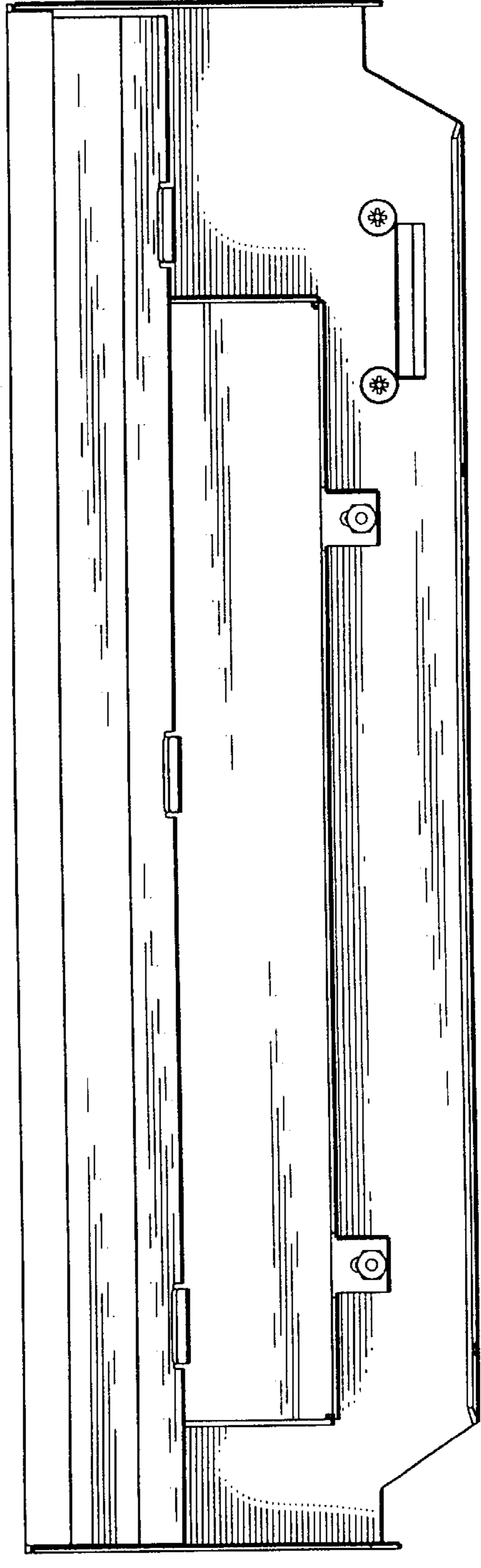


Fig. 6

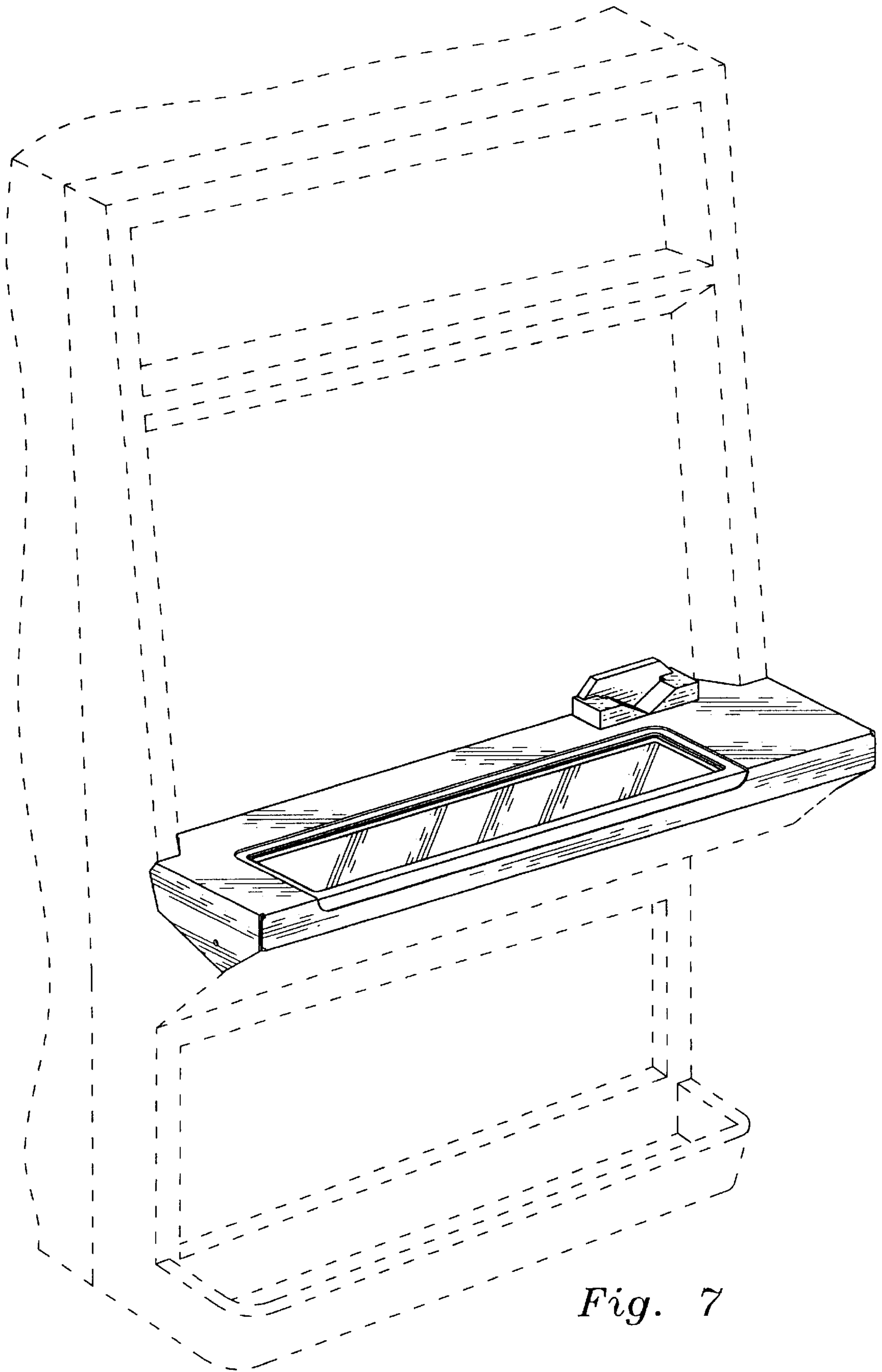


Fig. 7