



US00D417139S

# United States Patent [19] Pitre

[11] **Patent Number: Des. 417,139**

[45] **Date of Patent: \*\* Nov. 30, 1999**

[54] **EYE-BOLT HEAD**

*Attorney, Agent, or Firm—Mario D. Theriault*

[76] Inventor: **Gerald J. Pitre**, R.R. #5, Box 22, Site 7, Bathurst, New Brunswick, Canada, E2A 3Y8

[57] **CLAIM**

The ornamental design for an eye-bolt head, as shown and described.

[\*\*] Term: **14 Years**

### DESCRIPTION

[21] Appl. No.: **29/081,207**

FIG. 1 is a fragmented front, right side and end perspective view of an eye-bolt head as shown in FIG. 2, showing a first embodiment of my new design;

[22] Filed: **Dec. 24, 1997**

FIG. 2 is a front view thereof, the rear view being a mirror image;

[51] **LOC (6) Cl. .... 08-08**

[52] **U.S. Cl. .... D8/387**

FIG. 3 is a right side view thereof, the left side view being a mirror image;

[58] **Field of Search ..... D8/354, 387; 405/259.1, 405/302.1, 400; 227/119**

FIG. 4 is an end view thereof;

### [56] **References Cited**

#### U.S. PATENT DOCUMENTS

D. 30,319	3/1899	Senderling	.....	D8/387
D. 397,401	3/1997	Diederich	.....	D8/387
5,549,234	8/1996	Hong	.....	227/119

FIG. 5 is a fragmented front view of a second variant thereof; and,

#### OTHER PUBLICATIONS

Machine Design, p. 91, eye bolt circled at bottom of page Mar. 1963.

FIG. 6 is a fragmented front view of a third variant thereof. The rod-like element in FIGS. 1-3, 5 and 6 is shown broken-away to indicate indeterminate length.

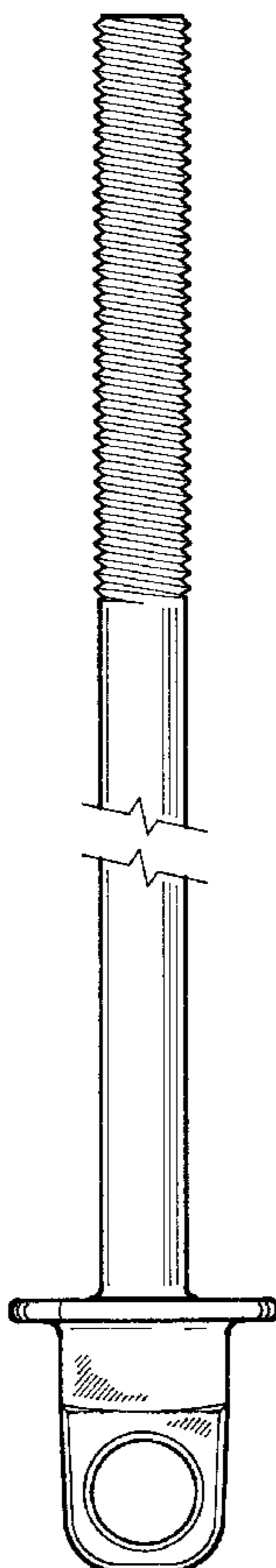
Central Screw Company, p. 81, eye bolt, item 4 located at right of page Jan. 1948.

The appearance of the undisclosed top half of the second and third embodiments are identical in appearance to the that which is shown in the first embodiment. Also, the appearance of the undisclosed side and end views of FIG. 5 and 6 are identical to what is shown the first embodiment.

Portions of the claimed design have been shown (FIGS. 1, 5 and 6) for ease of illustration.

*Primary Examiner—Holly Baynham*

**1 Claim, 2 Drawing Sheets**



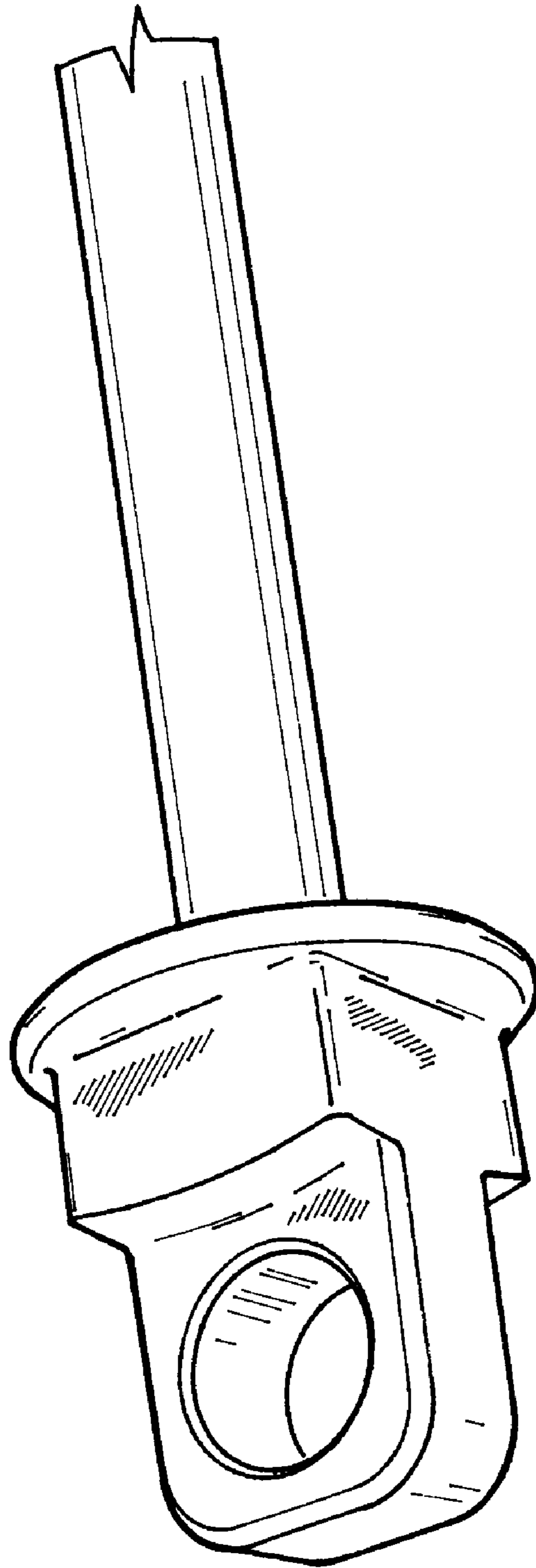


FIG. 1

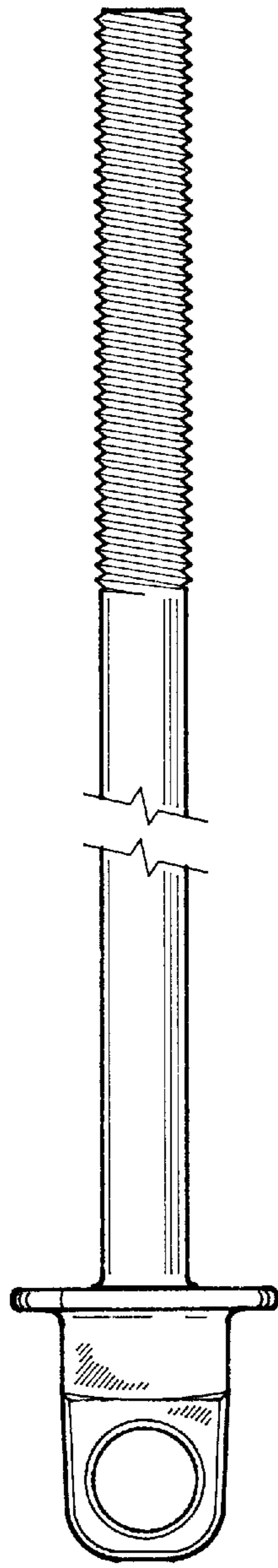


FIG. 2

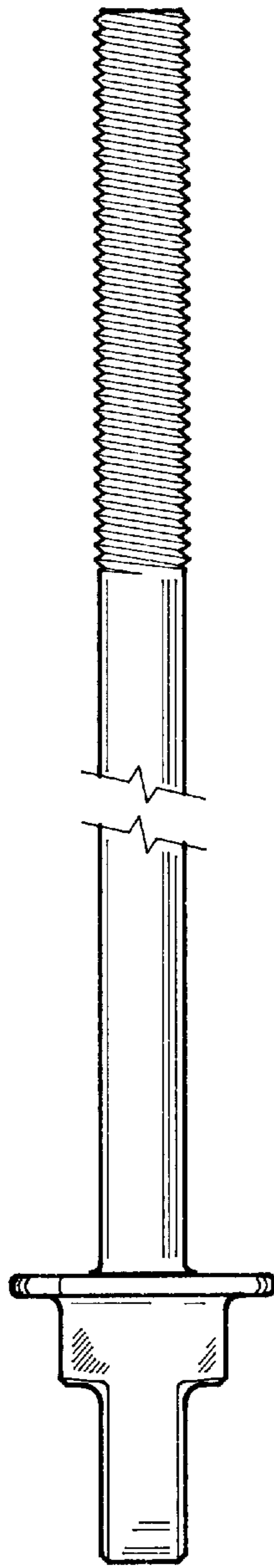


FIG. 3

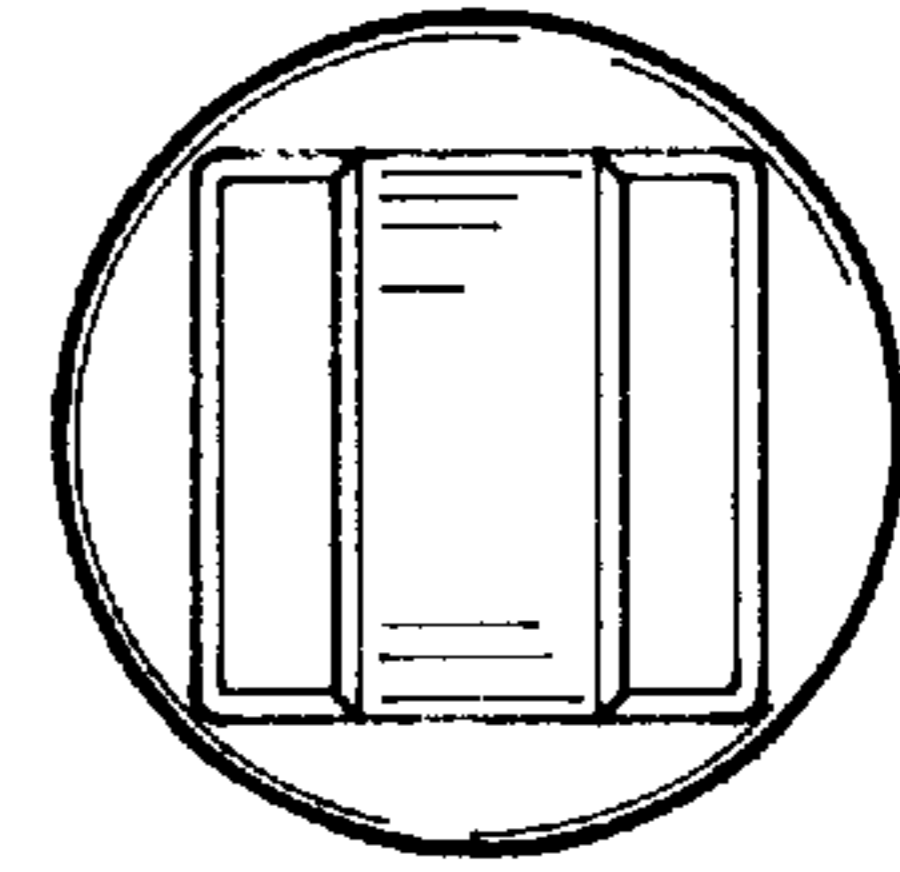


FIG. 4

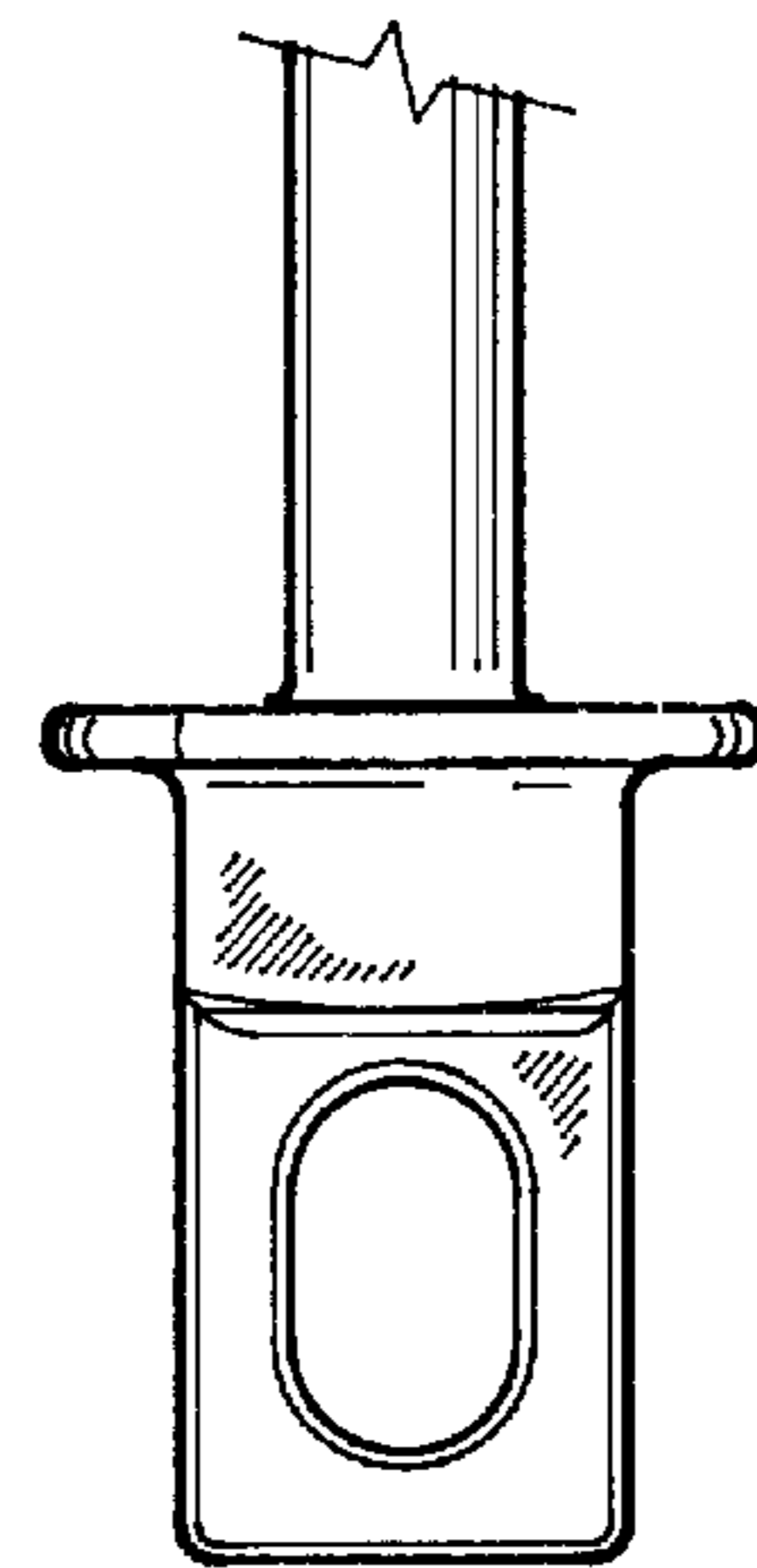


FIG. 5

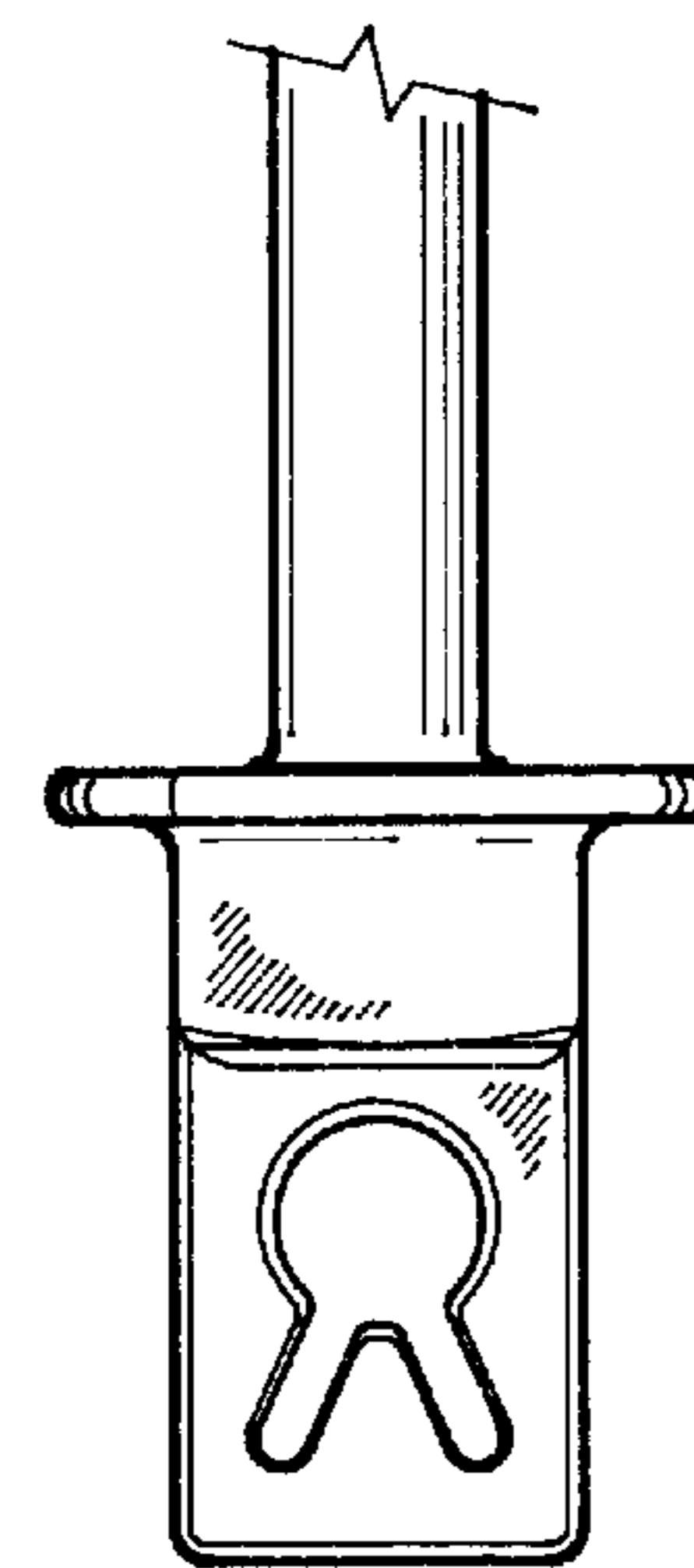


FIG. 6