



US00D417137S

# United States Patent [19] Vogels

[11] Patent Number: **Des. 417,137**

[45] Date of Patent: **\*\* Nov. 30, 1999**

[54] **SUPPORT FOR TV, VIDEO RECORDER,  
LOUDSPEAKERS, VIDEO OR AUDIO  
APPARATUS**

[75] Inventor: **Henricus Hyacinthus Vogels,**  
Eindhoven, Netherlands

[73] Assignee: **Vogel's Holding B.V.,** Eindhoven,  
Netherlands

[\*\*] Term: **14 Years**

[21] Appl. No.: **29/089,656**

[22] Filed: **Jun. 19, 1998**

### Related U.S. Application Data

[62] Division of application No. 29/056,311, Jun. 26, 1996.

### [30] Foreign Application Priority Data

Apr. 2, 1996 [WO] WIPO ..... DMA/003276

[51] LOC (6) Cl. .... **08-05**

[52] U.S. Cl. .... **D8/363**

[58] Field of Search ..... D8/363; D6/513;  
248/670, 281.1, 284.1

### [56] References Cited

#### U.S. PATENT DOCUMENTS

D. 349,640 8/1994 Whittaker ..... D8/363  
D. 352,652 11/1994 Vogels ..... D8/363  
D. 369,956 5/1996 Vogels ..... D8/363

*Primary Examiner*—Holly Baynham  
*Attorney, Agent, or Firm*—Ladas & Parry

### [57] CLAIM

The ornamental design for “support for TV, video recorder, loudspeakers, video or audio apparatus”, as shown.

### DESCRIPTION

FIG. 1 is a bottom perspective view showing my new design;

FIG. 2 is a top perspective view showing my new design;

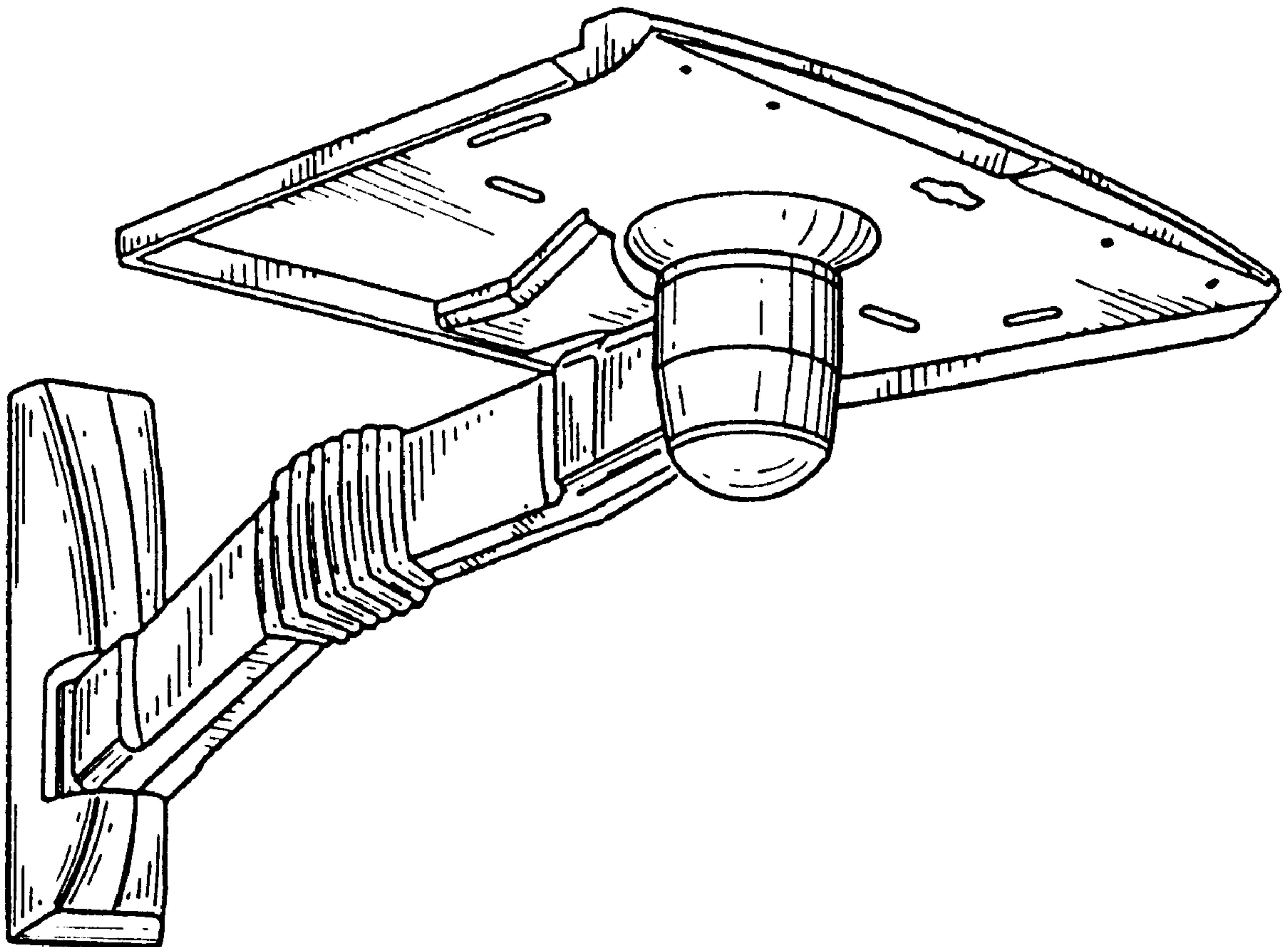
FIG. 3 is a left side view showing my new design;

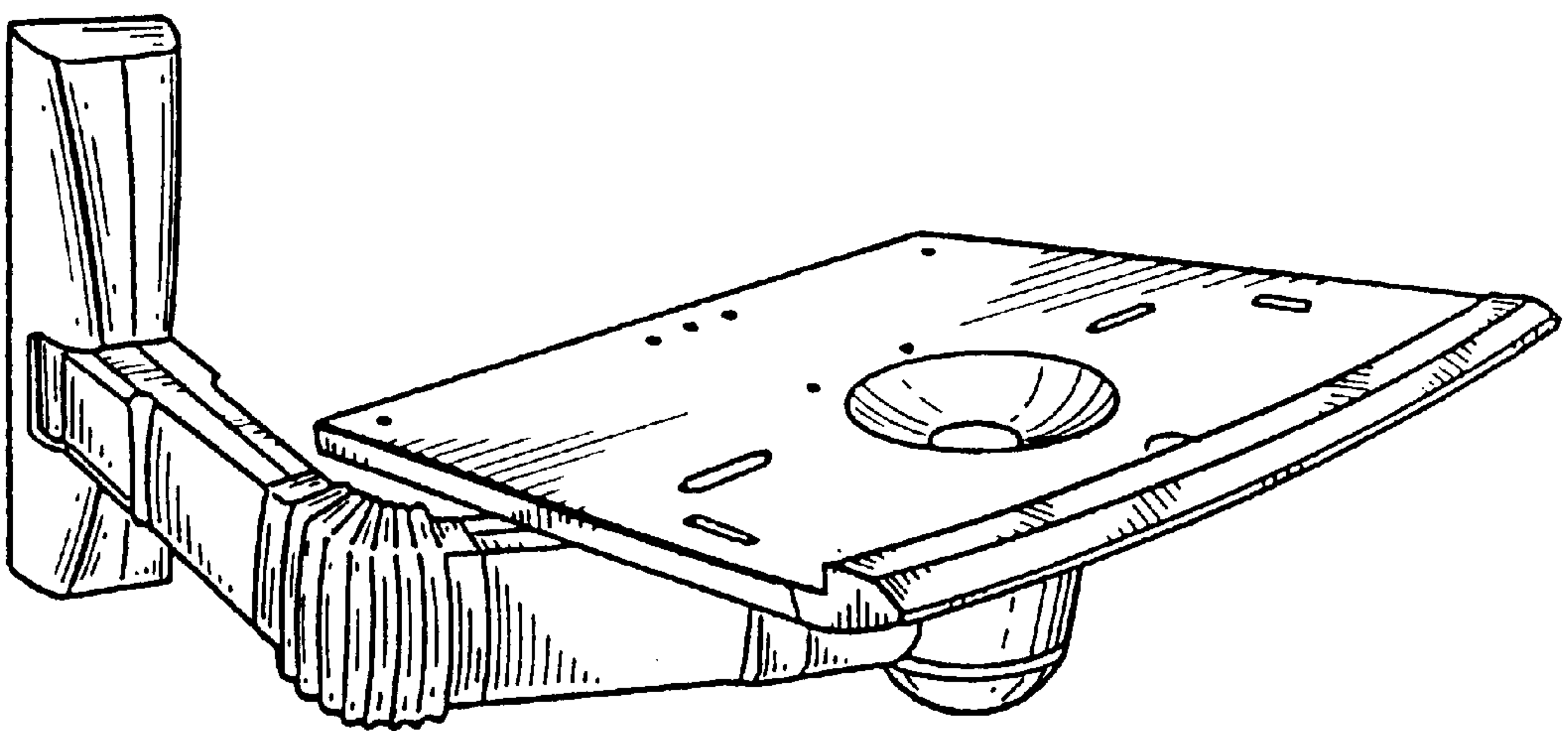
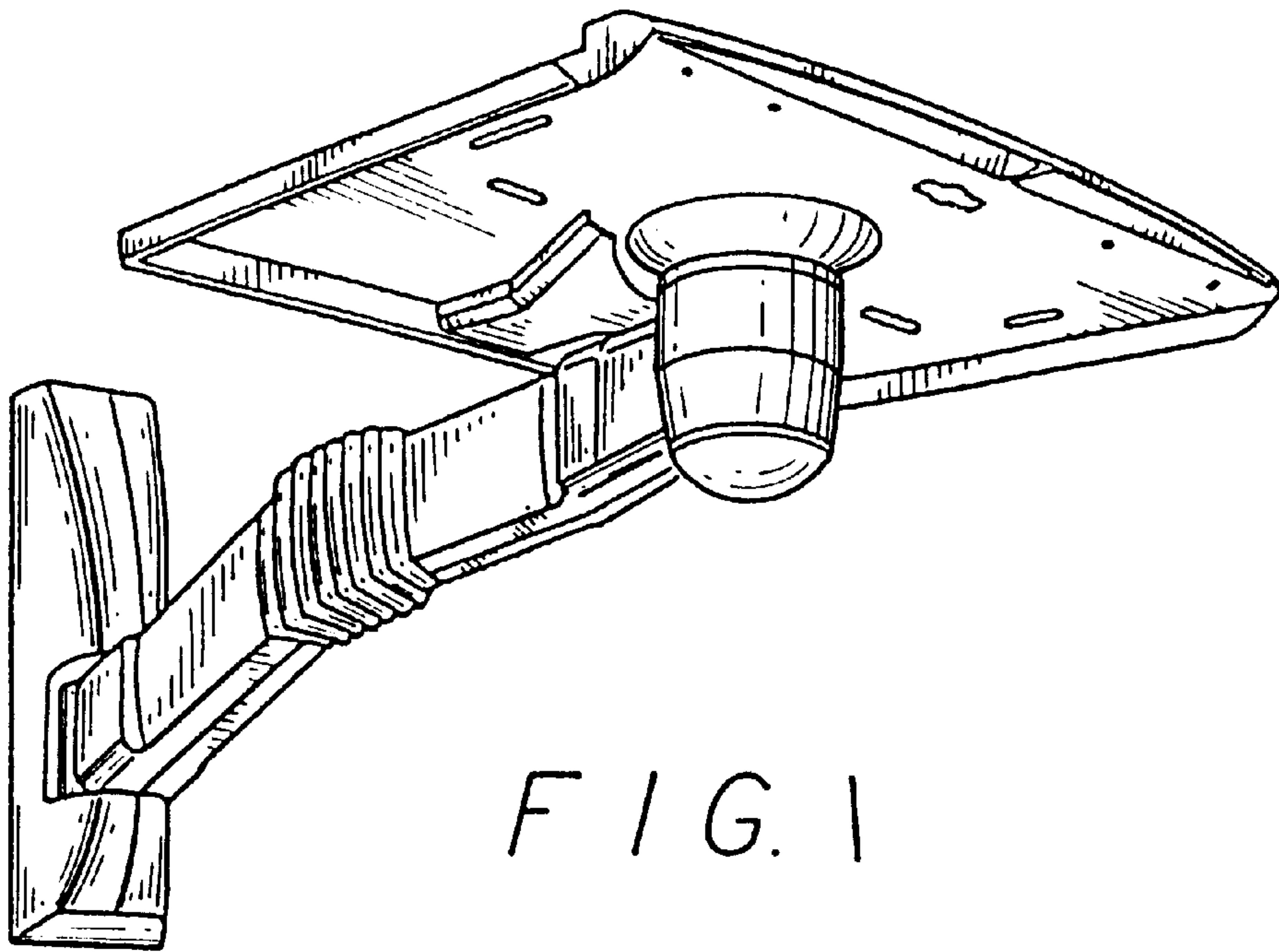
FIG. 4 is a front view showing my new design;

FIG. 5 is a side view showing my new design; and,

FIG. 6 is a bottom view showing my new design.

**1 Claim, 5 Drawing Sheets**





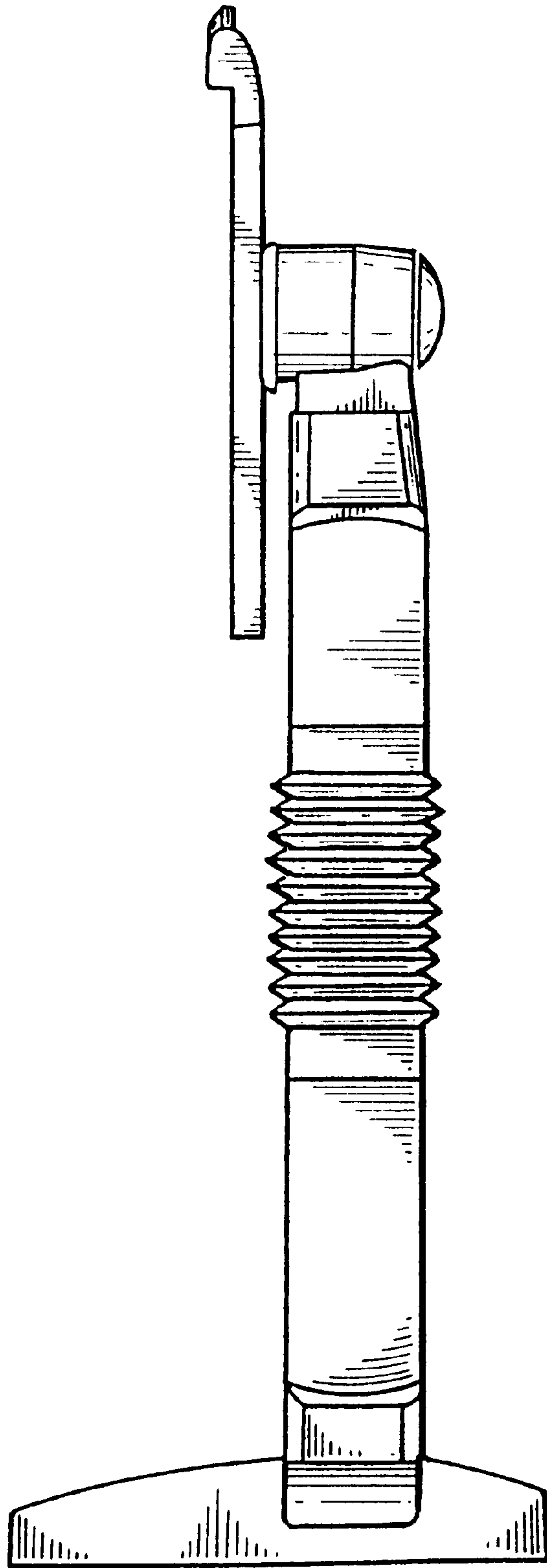


FIG. 3

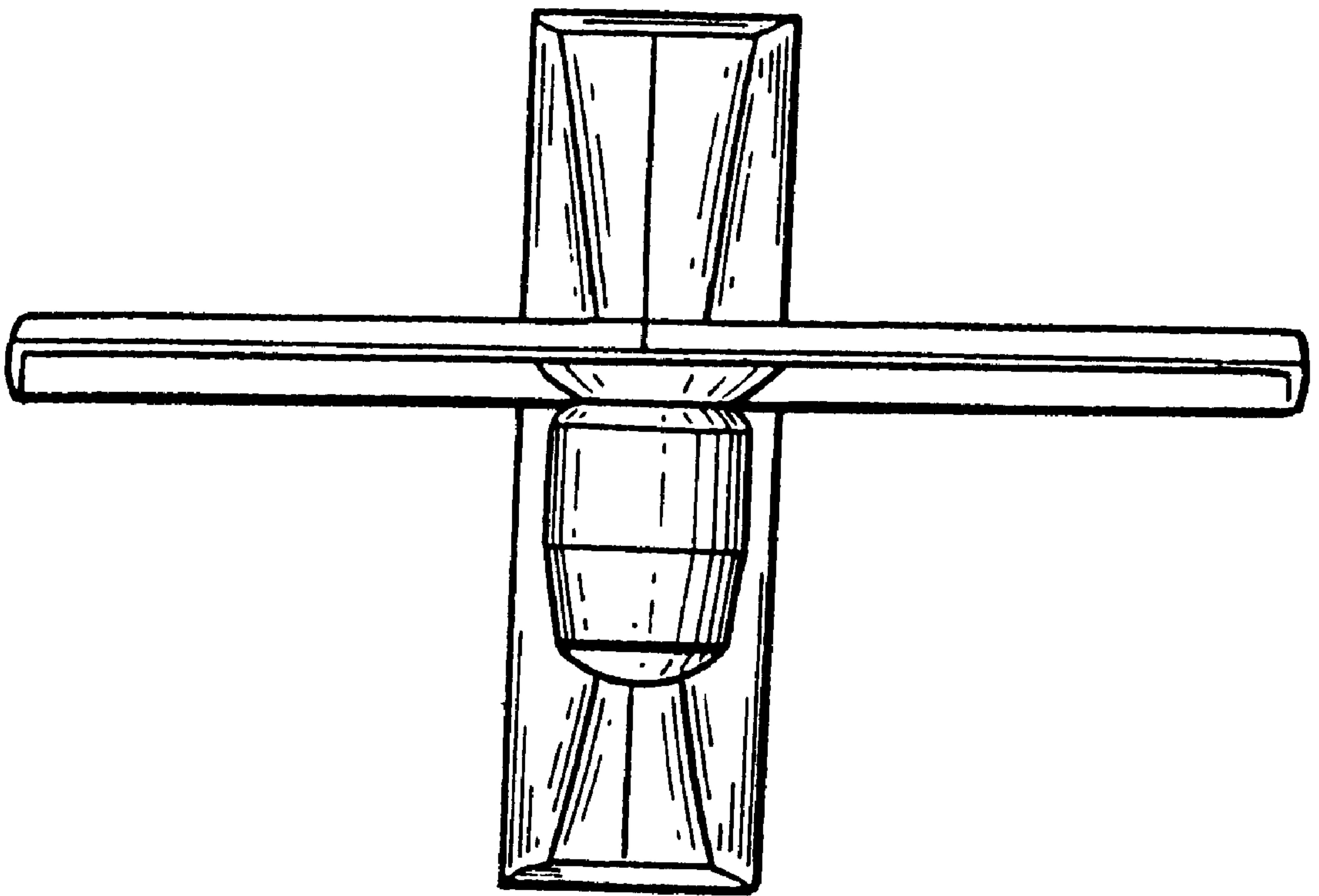


FIG. 4

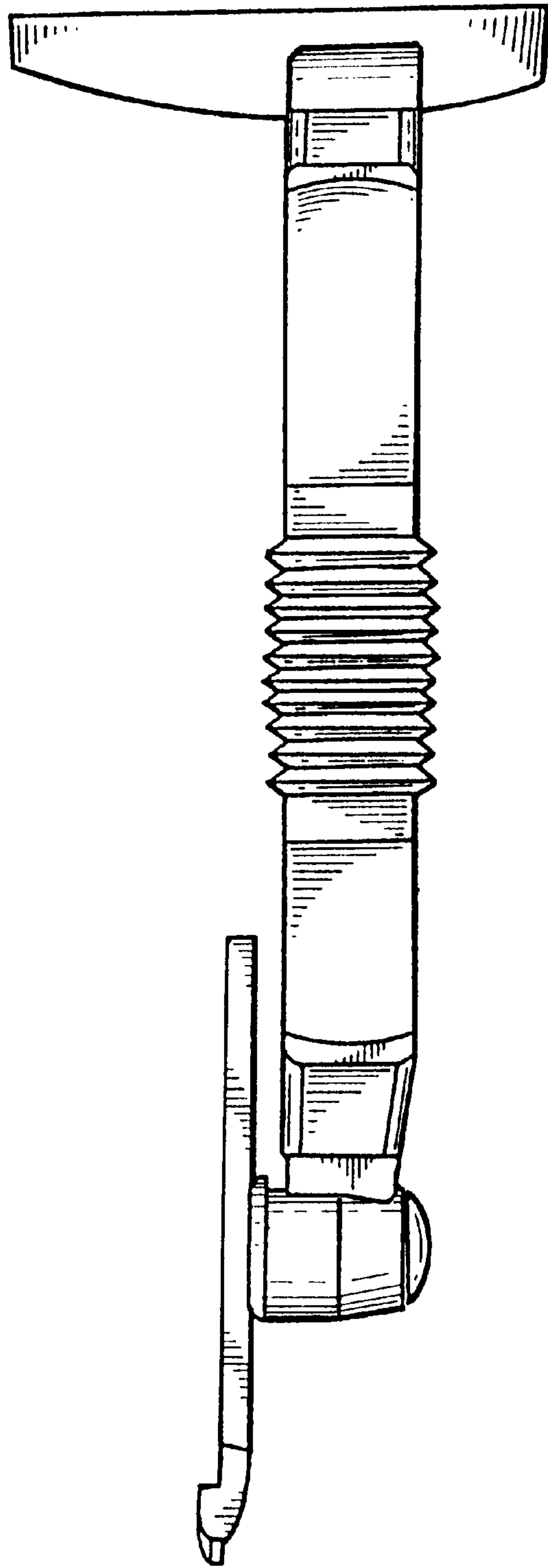


FIG. 5

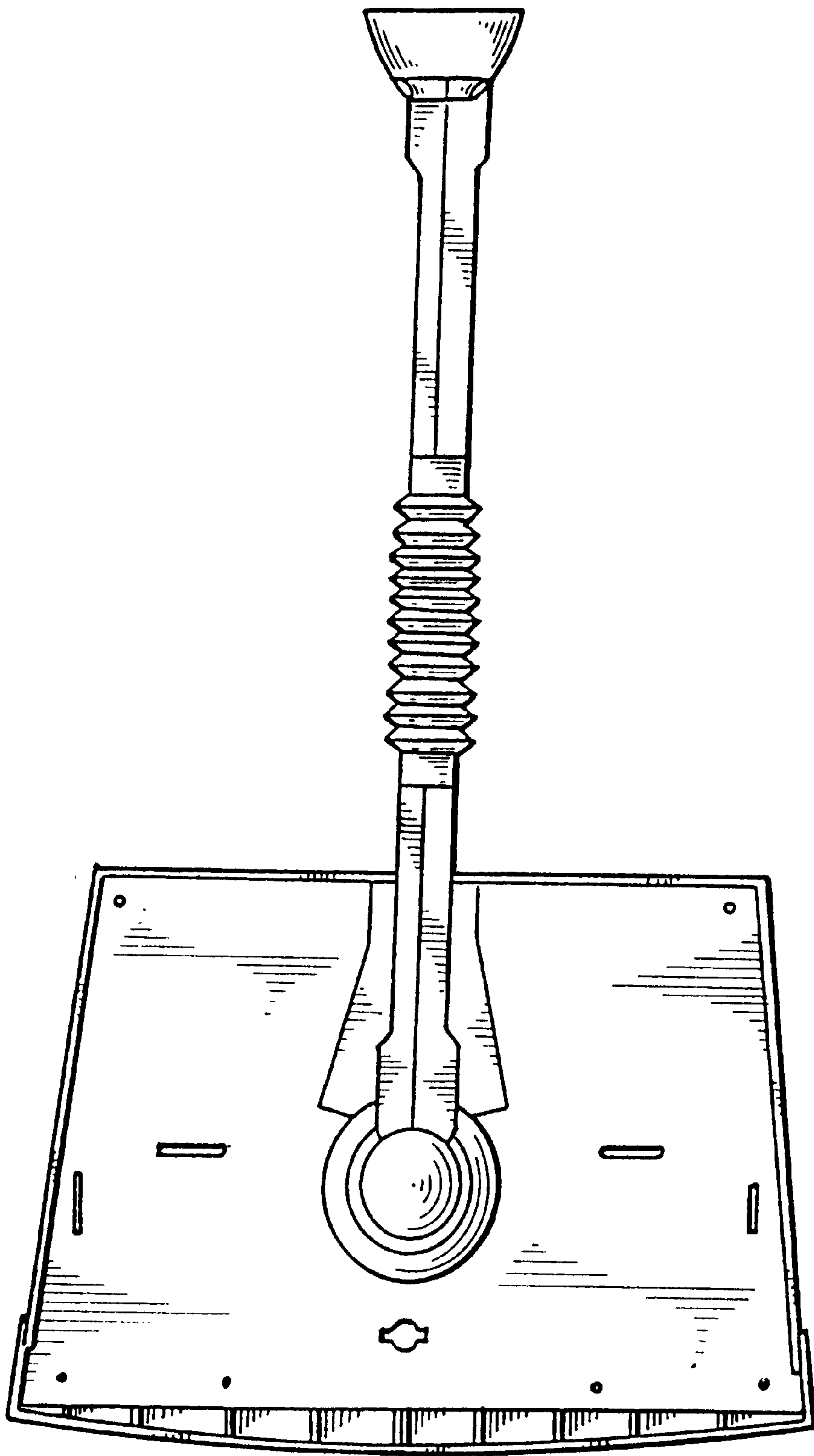


FIG. 6