



US00D417133S

United States Patent [19]
Niswanger

[11] **Patent Number: Des. 417,133**

[45] **Date of Patent: ** Nov. 30, 1999**

[54] **COUPLER LOCK FOR PINTLE DRAWBAR EYE**

[75] Inventor: **Raymond A. Niswanger**, Granbury, Tex.

[73] Assignee: **Blaylock Industries, Inc.**, Fort Worth, Tex.

[**] Term: **14 Years**

[21] Appl. No.: **29/087,027**

[22] Filed: **Apr. 24, 1998**

[51] **LOC (6) Cl.** **08-07**

[52] **U.S. Cl.** **D8/331**

[58] **Field of Search** D8/331, 330, 333, D8/334, 382, 383; 70/14, 18, 58, 57, 77, 158, 174, 207, 237; 403/408.1

[56] **References Cited**

U.S. PATENT DOCUMENTS

D. 350,054 8/1994 Richter D8/331

D. 371,952 7/1996 Evans D8/331
5,119,649 6/1992 Spence 70/14
5,332,251 7/1994 Farguhar 70/14 X
5,345,794 9/1994 Jenks 70/14
5,651,634 7/1997 Kraus 403/408.1

Primary Examiner—Pamela Burgess
Attorney, Agent, or Firm—James E. Bradley

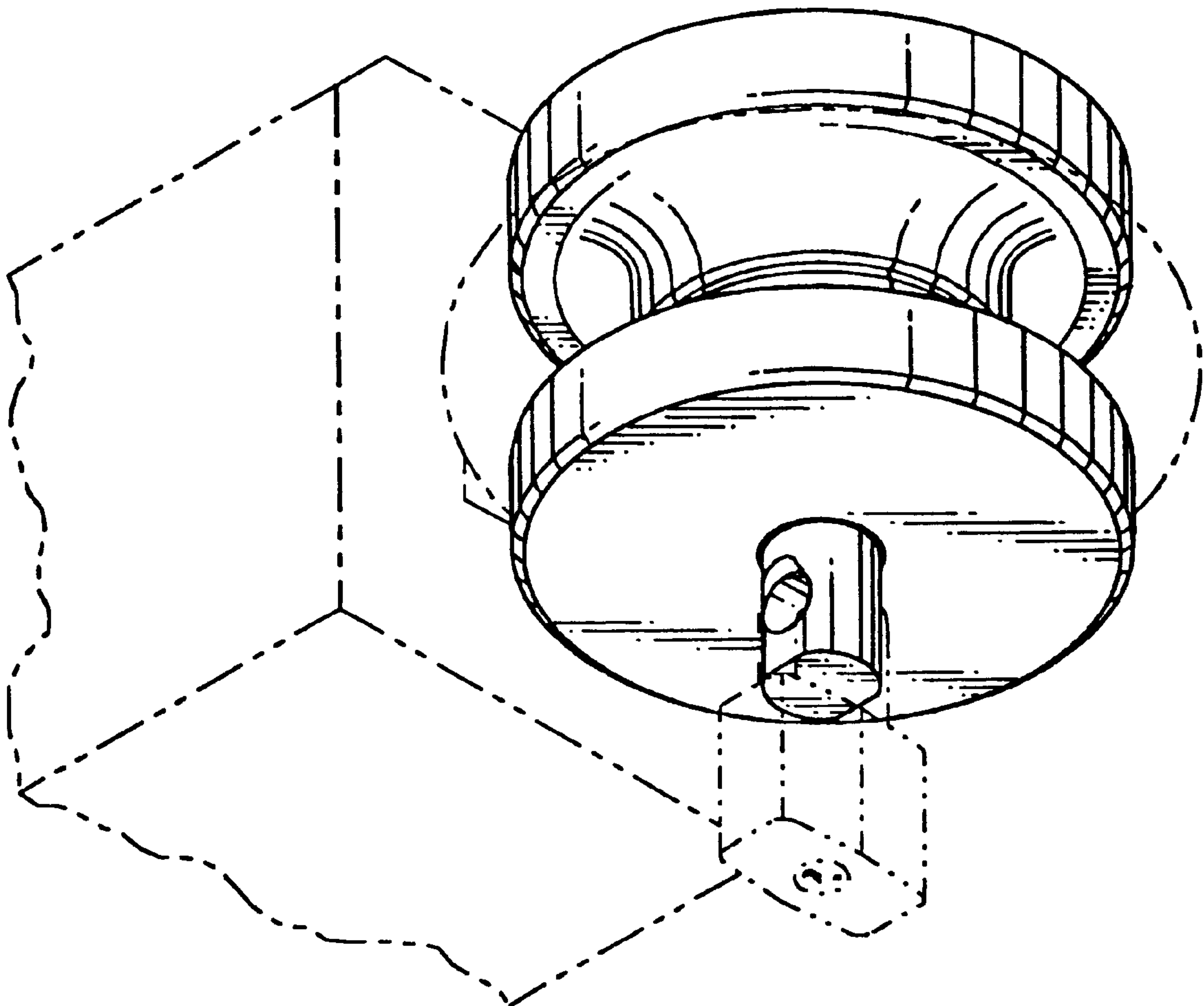
[57] **CLAIM**

The ornamental design for a coupler lock for pintle drawbar eye, as shown and described.

DESCRIPTION

FIG. 1 is a perspective view of the coupler lock for pintle drawbar eye;
FIG. 2 is a top view thereof;
FIG. 3 is a right side view thereof;
FIG. 4 is a front elevational view thereof; and,
FIG. 5 is a bottom view thereof.
The broken lines shown in FIG. 1 are for illustrative purposes only and form no part of the claimed design.

1 Claim, 2 Drawing Sheets



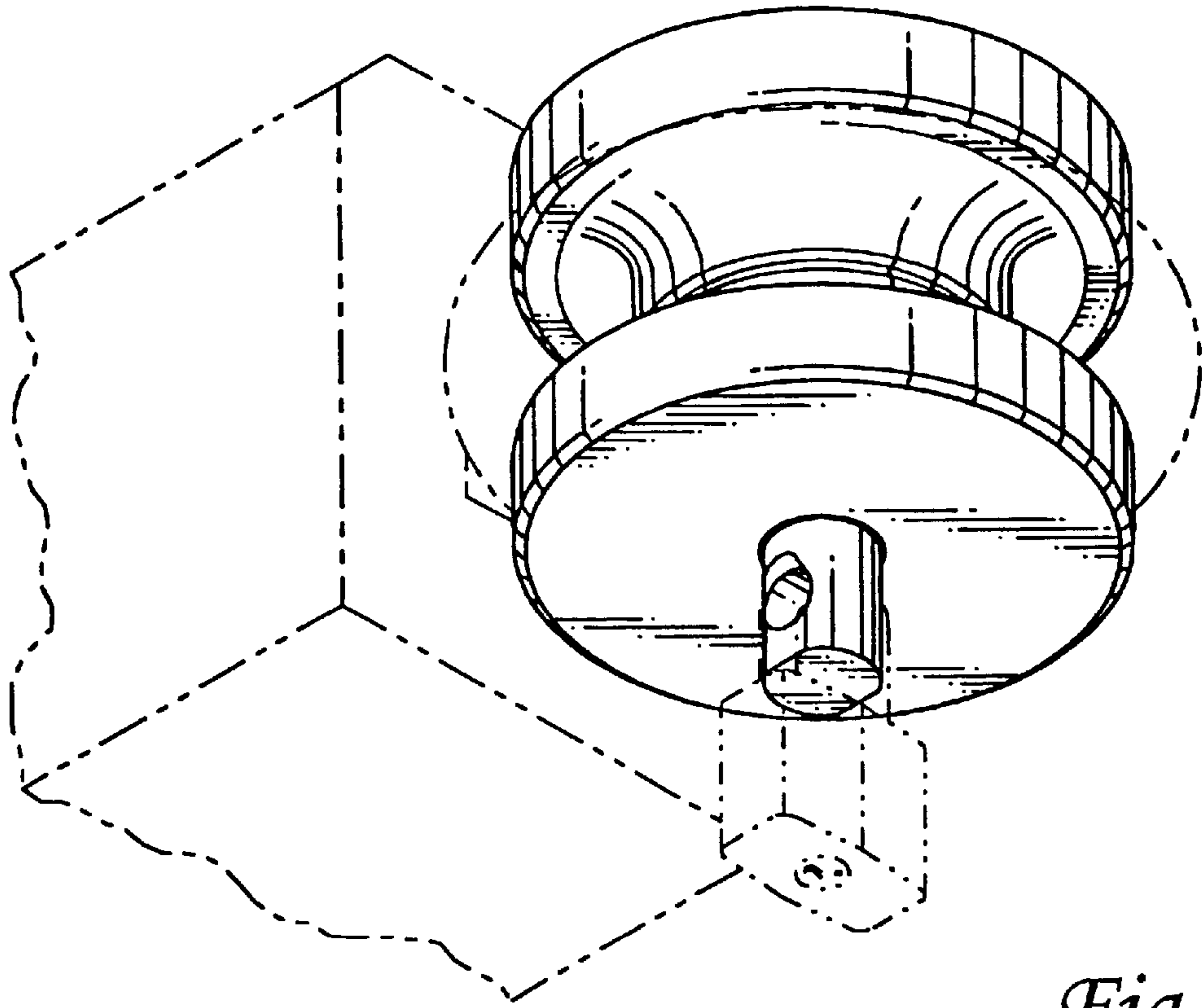


Fig. 1

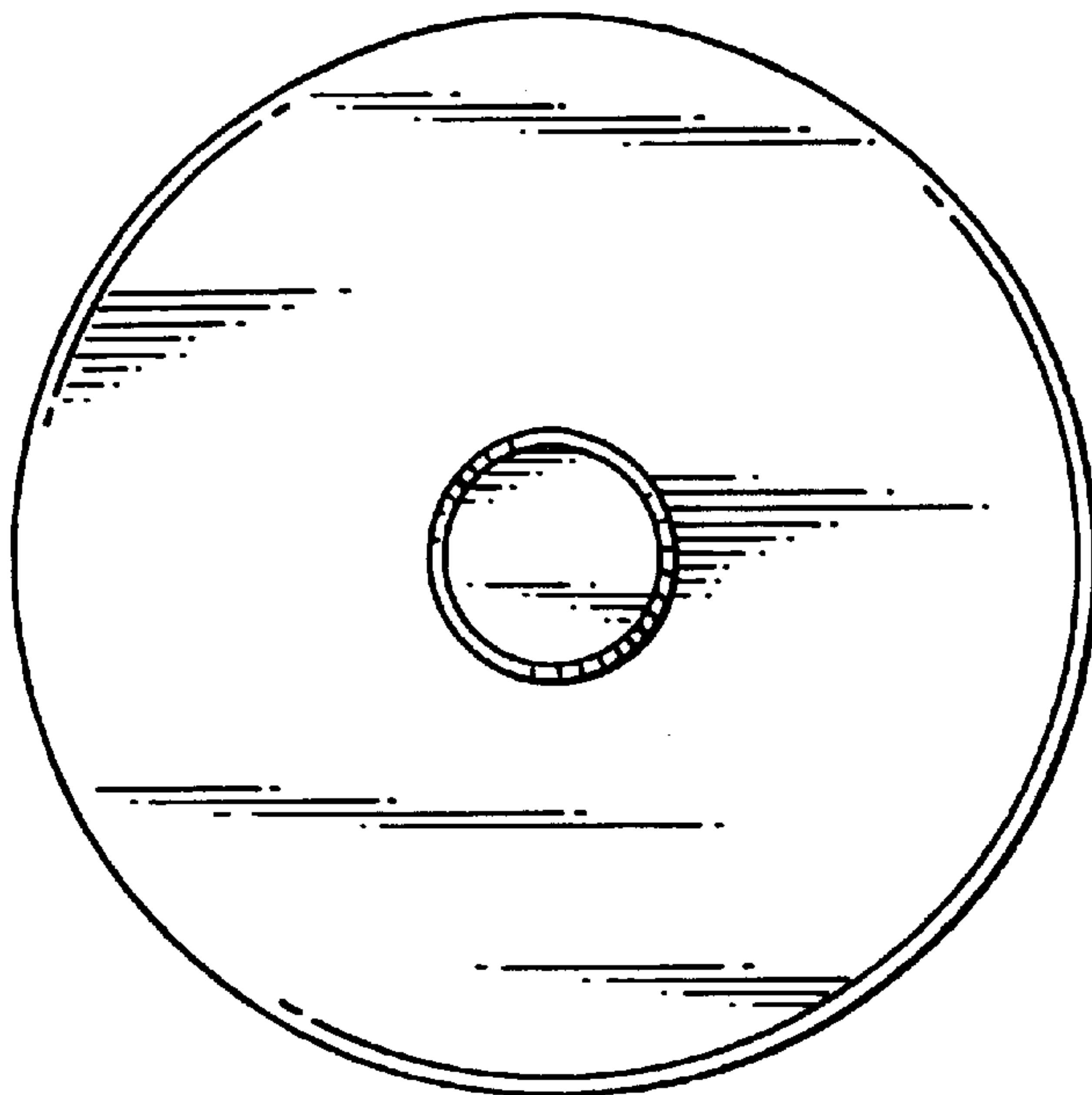


Fig. 2

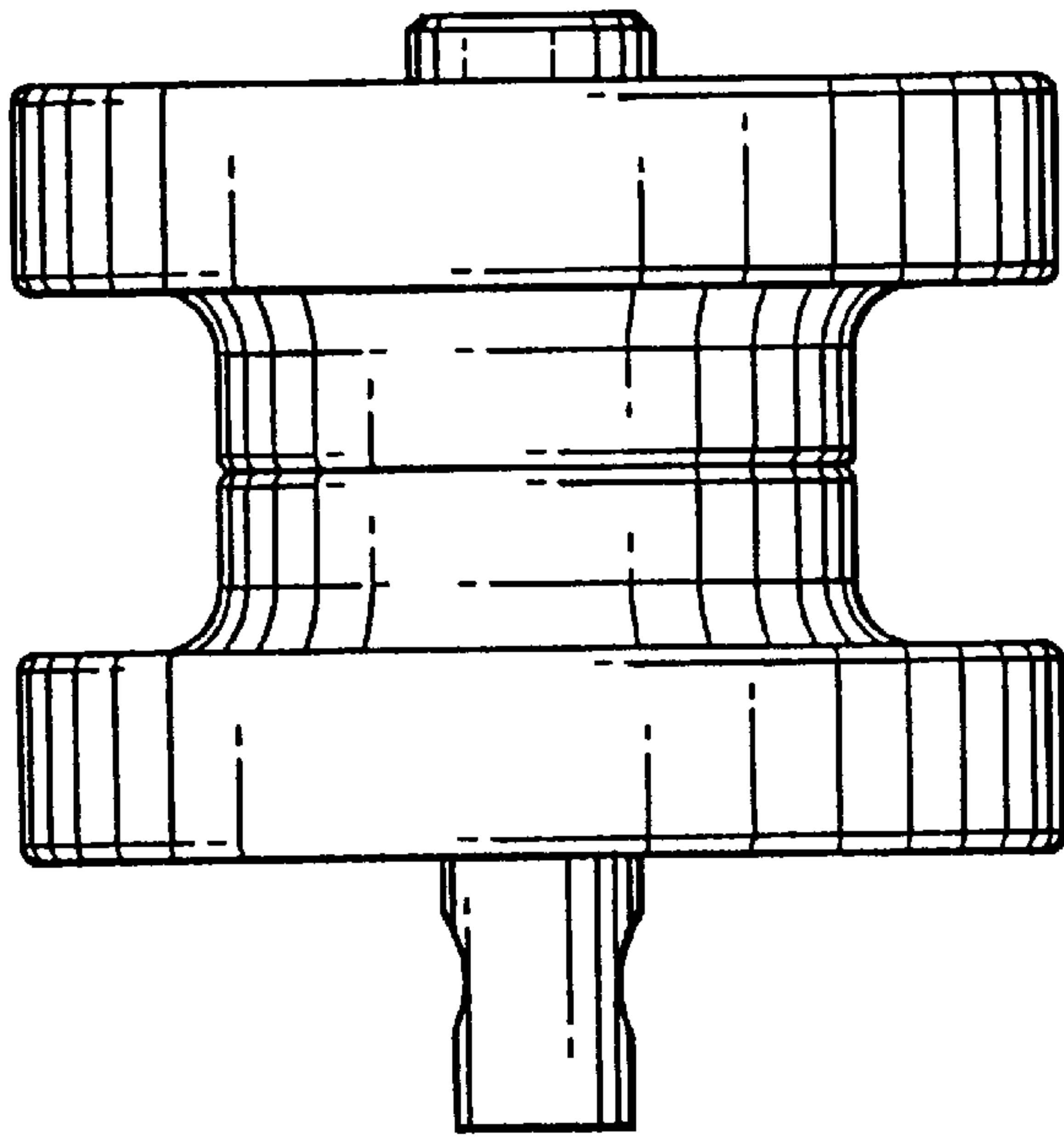


Fig. 3

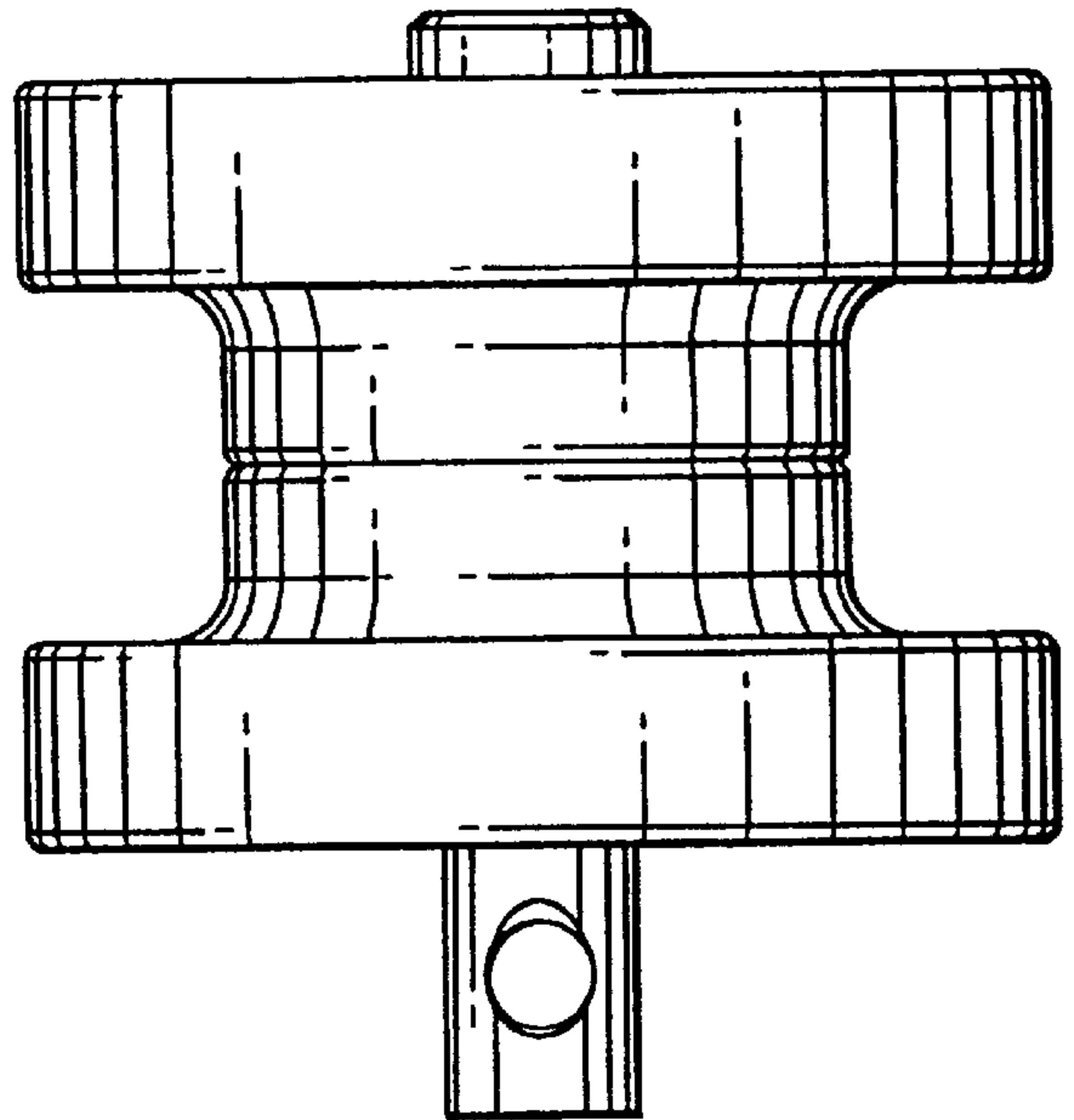


Fig. 4

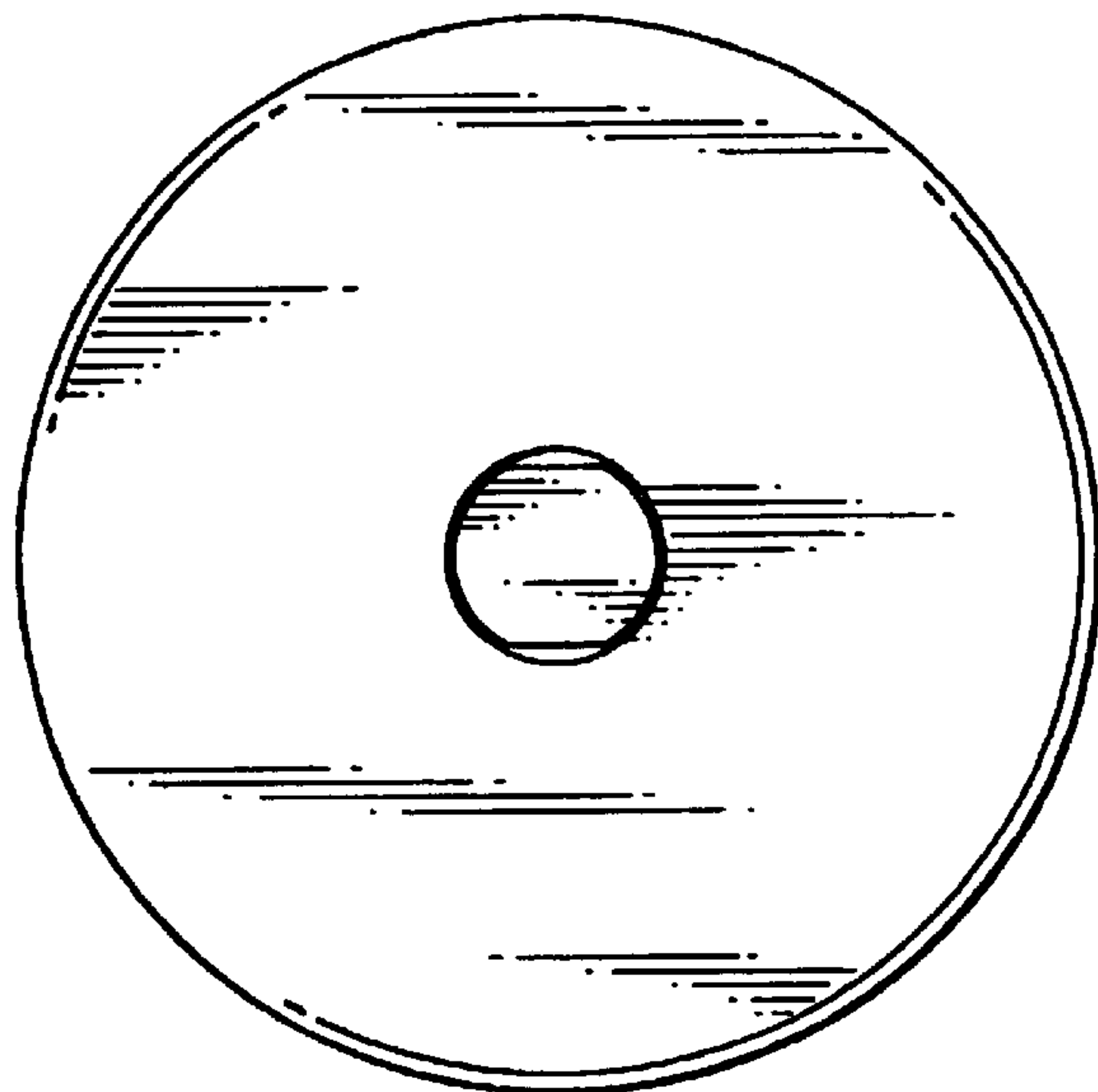


Fig. 5