



US00D417131S

United States Patent [19]

Peters et al.

[11] **Patent Number: Des. 417,131**

[45] **Date of Patent: ** Nov. 30, 1999**

[54] **WEDGE SYSTEM SANDING BLOCK**

[76] Inventors: **Orlando N. Peters**, 40108 Highway.
49, Ste. C-180, Oakhurst, Calif. 93644;
Harold G. Culverson, 411 N. Golden
State Blvd., Suite 104, Fresno, Calif.
93722

[**] Term: **14 Years**

[21] Appl. No.: **29/084,528**

[22] Filed: **Mar. 4, 1998**

[51] **LOC (6) Cl. 08-05**

[52] **U.S. Cl. D8/90**

[58] **Field of Search D8/90, 94; 451/502,**
451/523, 524, 525

[56] **References Cited**

U.S. PATENT DOCUMENTS

2,626,490 1/1953 Meers 451/502
2,765,593 10/1956 Salmon et al. 451/523

2,840,959 7/1958 Pritkin 451/523
3,410,035 11/1968 Gohde 451/523
4,475,317 10/1984 Dicke 451/523
5,522,763 6/1996 Regnier 451/502

Primary Examiner—Philip S. Hyder

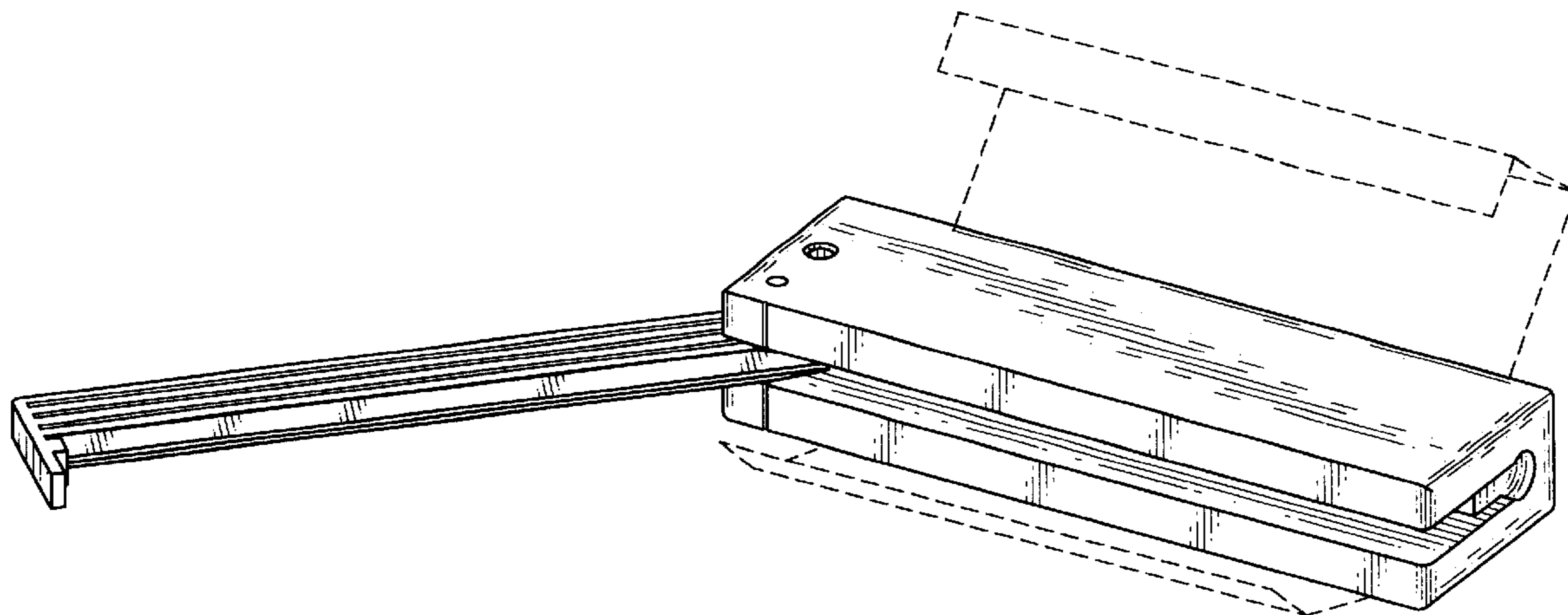
[57] **CLAIM**

The ornamental design for a wedge system sanding block, as shown and described.

DESCRIPTION

FIG. 1 is a top, front and side perspective view of a wedge system sanding block showing our new design; the broken lines showing of the sand paper is for illustrative purposes only and form no part of the claimed design;
FIG. 2 is a top plan view;
FIG. 3 is a front elevational view;
FIG. 4 is a right side elevational view;
FIG. 5 is a left side elevational view;
FIG. 6 is a bottom plan view; and,
FIG. 7 is a rear elevational view.

1 Claim, 2 Drawing Sheets



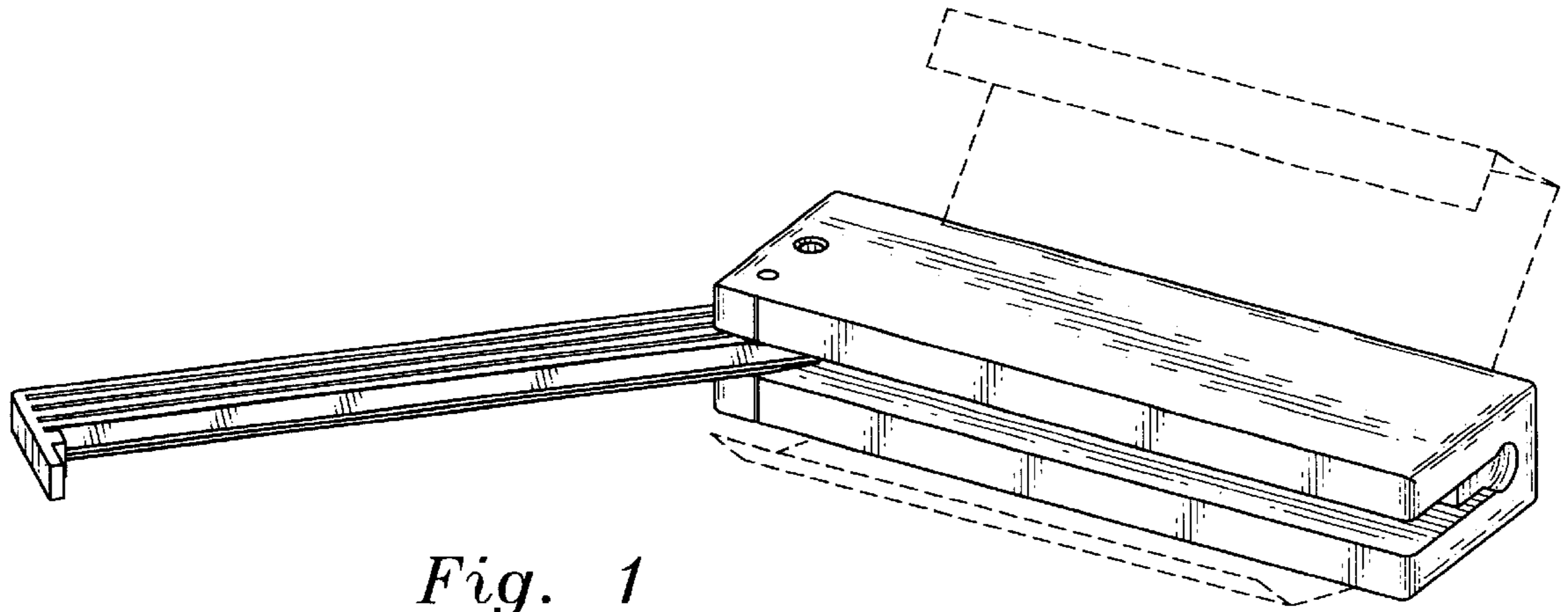


Fig. 1

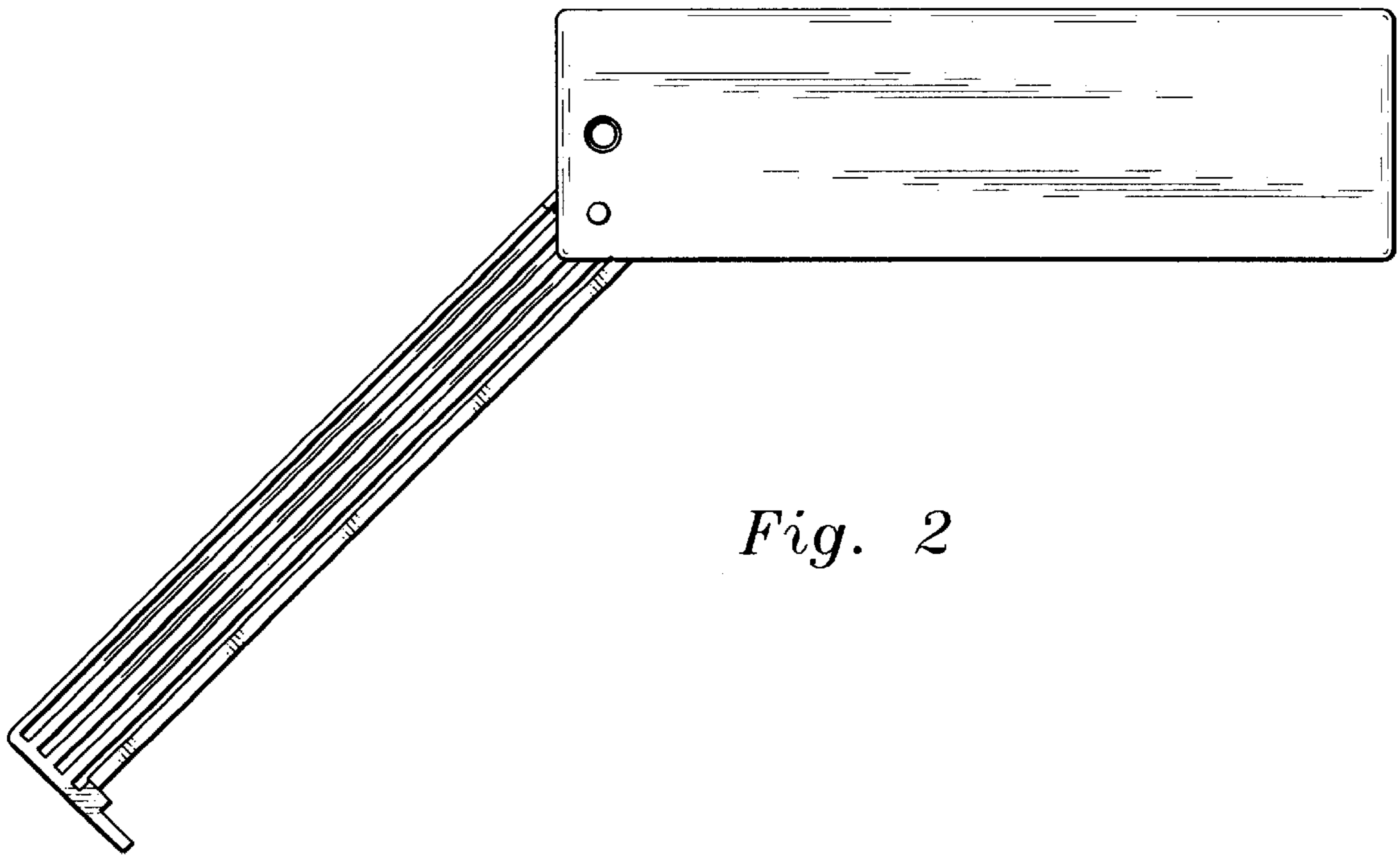


Fig. 2

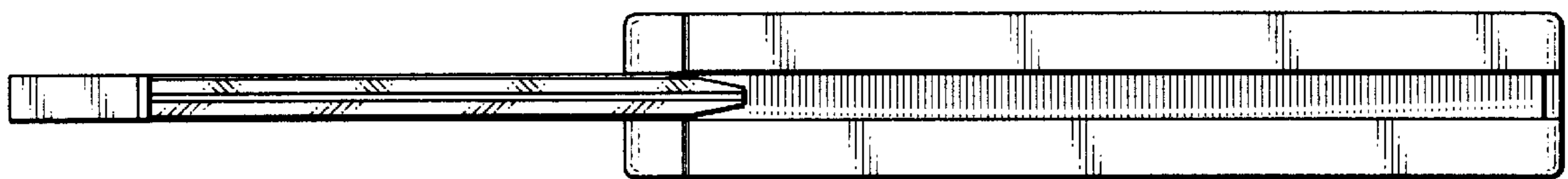


Fig. 3

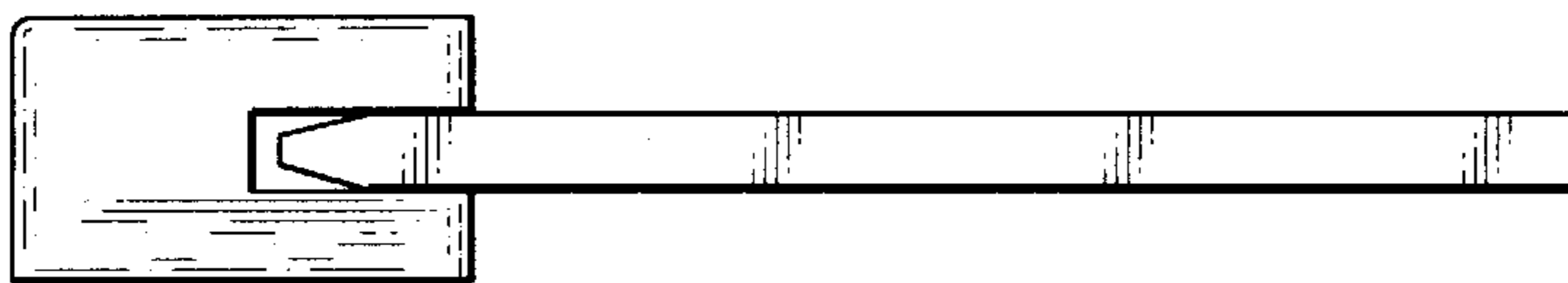


Fig. 4



Fig. 5

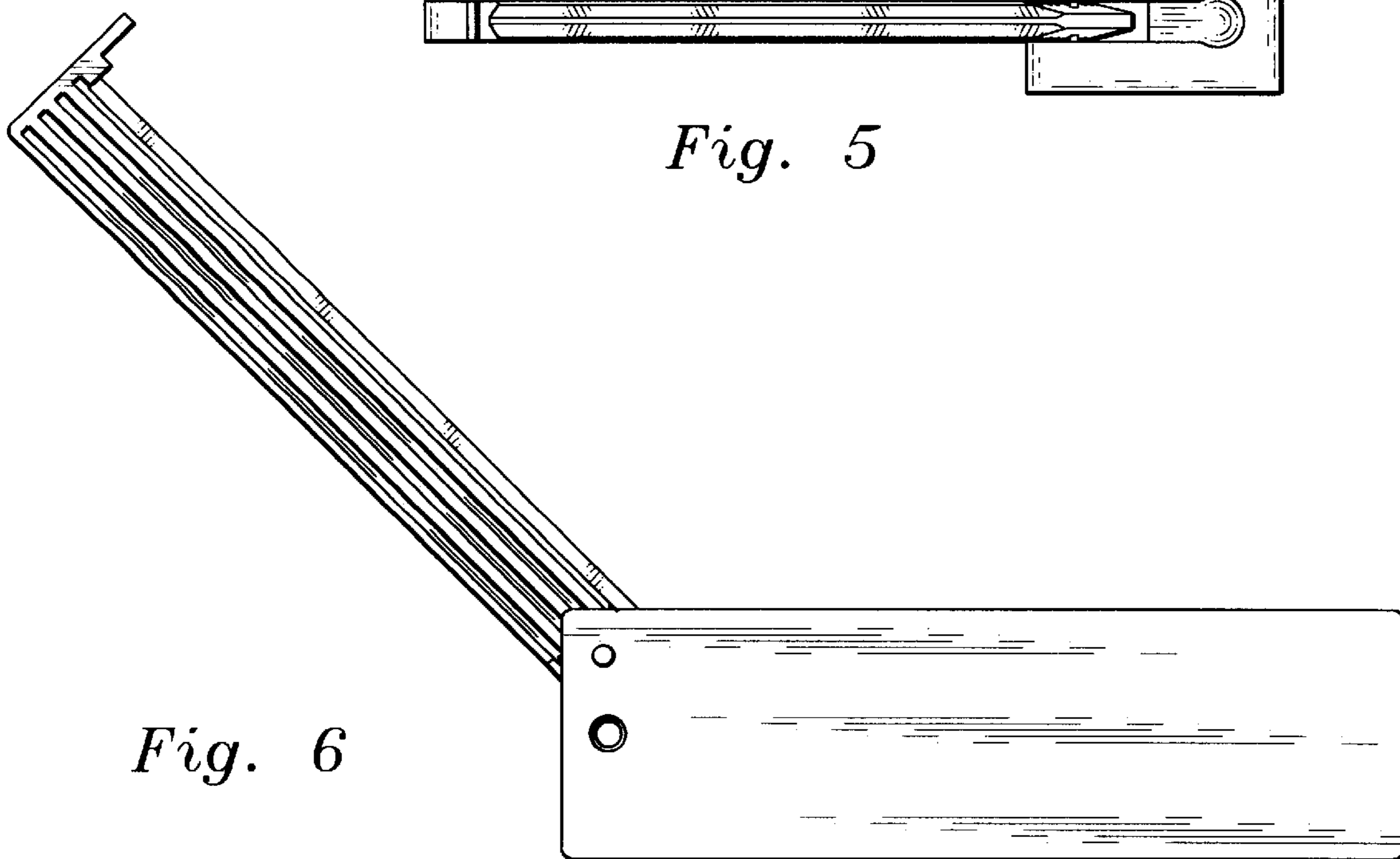


Fig. 6

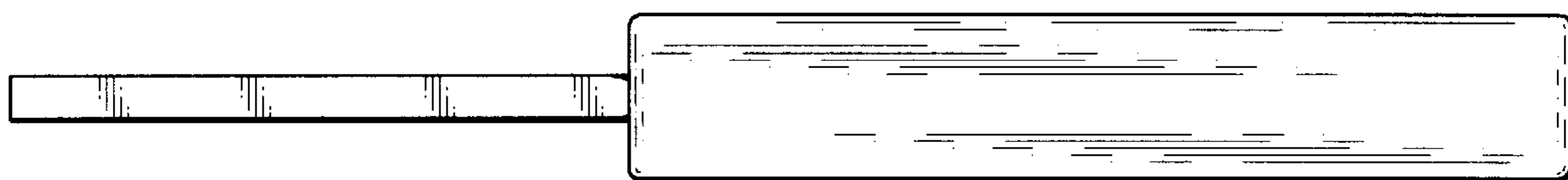


Fig. 7