



US00D417129S

# United States Patent [19]

Brady et al.

[11] Patent Number: Des. 417,129

[45] Date of Patent: \*\* Nov. 30, 1999

[54] CAN OPENING CENTER

[75] Inventors: **Martin Brady**, Chesterfield; **Anthony V. Cruz**, Richmond, both of Va.

[73] Assignee: **Hamilton Beach/Proctor-Silex, Inc.**, Glen Allen, Va.

[\*\*] Term: **14 Years**

[21] Appl. No.: **29/098,730**

[22] Filed: **Jan. 5, 1999**

[51] **LOC (6) Cl.** ..... **07-99**

[52] **U.S. Cl.** ..... **D8/35; D8/36**

[58] **Field of Search** ..... D8/33-43, 18, D8/19; 30/400-443; 81/3.07-3.49; 7/151-156

[56] **References Cited**

**U.S. PATENT DOCUMENTS**

D. 182,006	1/1958	Talge et al. ....	D8/35
D. 193,427	8/1962	Anderson et al. ....	D8/36
D. 296,652	7/1988	Kelly .....	D8/36
D. 318,603	7/1991	Hattle et al. ....	D8/35
D. 332,731	1/1993	Raab .....	D8/34
D. 387,641	12/1997	Naft et al. .	
D. 394,791	6/1998	Lallemond .....	D8/36
3,818,589	6/1974	Oberto .....	30/419
4,561,182	12/1985	Yamamoto et al. .	
4,663,849	5/1987	Nickelson .....	30/416 X
4,860,455	8/1989	Conneally .	
4,979,308	12/1990	Moore .	
5,421,092	6/1995	Guilmette et al. .	
5,676,440	10/1997	Garber et al. .	

**OTHER PUBLICATIONS**

Front and back cover and p. 12 and 28 of the 93/94 "Hamilton Beach/Proctor-Silex Catalog" published Apr. 1993 by Hamilton Beach/Proctor-Silex, Inc.

Use and Care Manual for Black & Decker model ECL80 can opener, published by Black & Decker, Inc. 1985.

Front and rear covers and p. 6 of "Product Catalog" published by Hamilton Beach/Proctor-Silex, Inc. 1992.

Copy of instructions manual for Presto "Above All" can opener, published by National Presto Industries, Inc. 1989. Front and rear cover and unmarked p. 14 from the "Hot News from Proctor-Silex 1987" catalog published by WearEver-Proctor-Silex, Inc. 1987.

*Primary Examiner*—Jeffrey Asch  
*Attorney, Agent, or Firm*—Roger S. Dybvig; Robert H. Earp, III

[57] **CLAIM**

The ornamental design for can opening center, as shown and described.

**DESCRIPTION**

FIG. 1 is a perspective view as seen from the top, front, and right side of a first embodiment of the can opening center showing our new design;

FIG. 2 is a top plan view thereof;

FIG. 3 is a front elevational view thereof;

FIG. 4 is a rear elevational view thereof;

FIG. 5 is a right side elevational view thereof;

FIG. 6 is a left side elevational view thereof;

FIG. 7 is a bottom plan view thereof;

FIG. 8 is a top plan view of a second embodiment of the can opening center showing our new design, differing from the first embodiment in that the scissors are shown in full;

FIG. 9 is a front elevational view thereof;

FIG. 10 is a rear elevational view thereof;

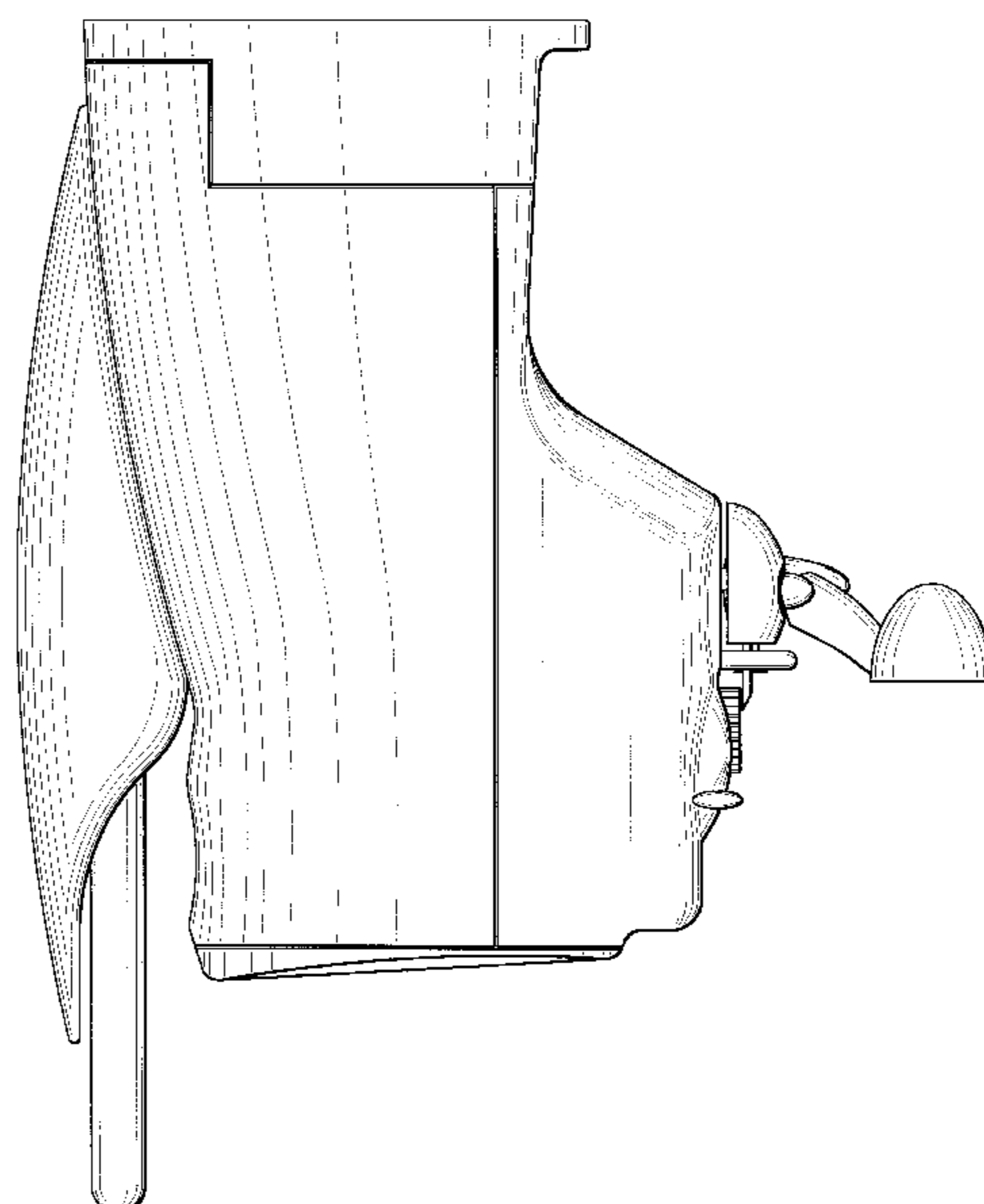
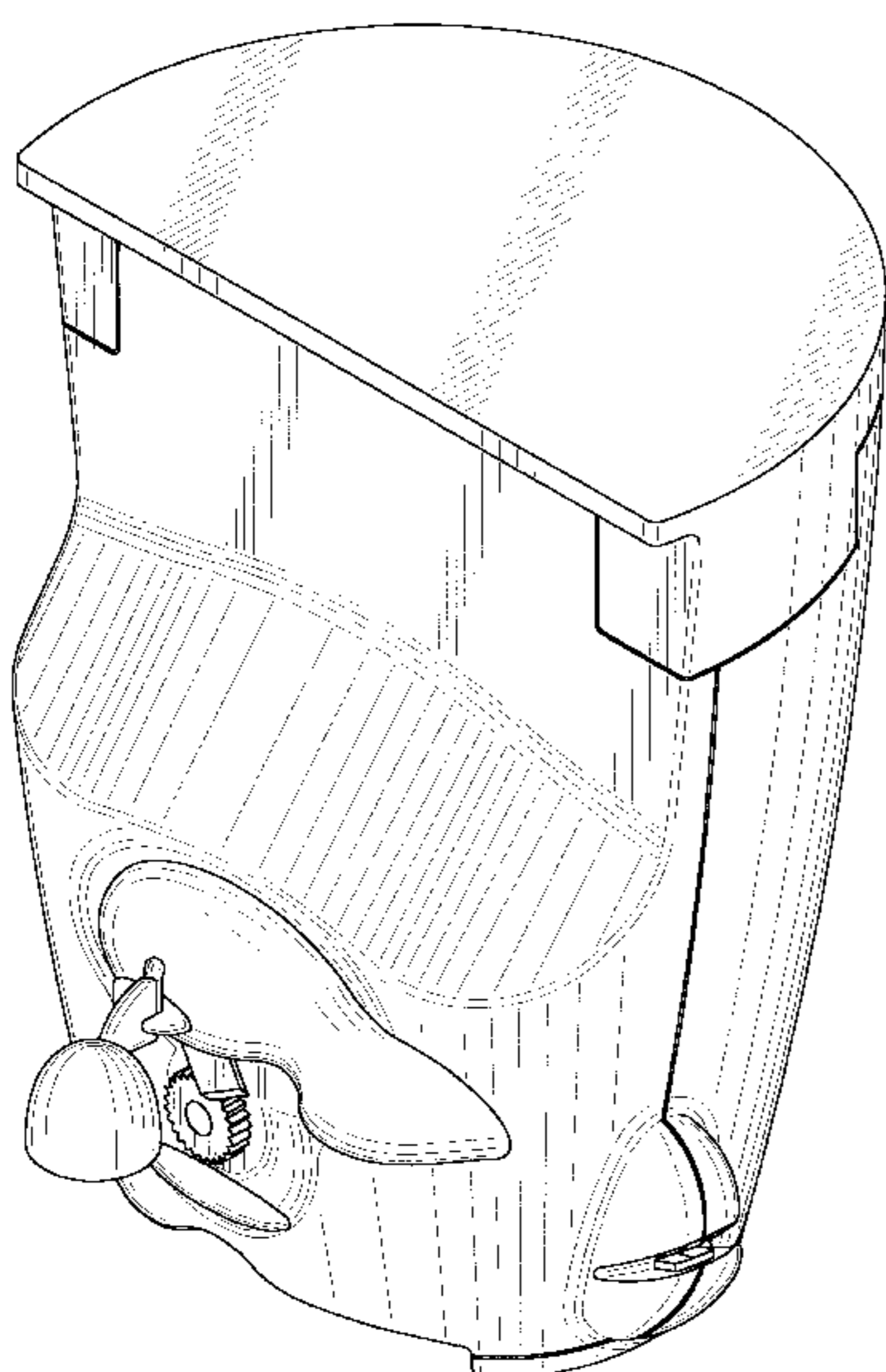
FIG. 11 is a right side elevational view thereof;

FIG. 12 is a left side elevational view thereof; and,

FIG. 13 is a bottom plan view thereof.

The broken lines in FIGS. 2 through 7 of the first embodiment of this design showing a pair of scissors are used for illustrative purposes only and form no part of the claimed design.

**1 Claim, 13 Drawing Sheets**



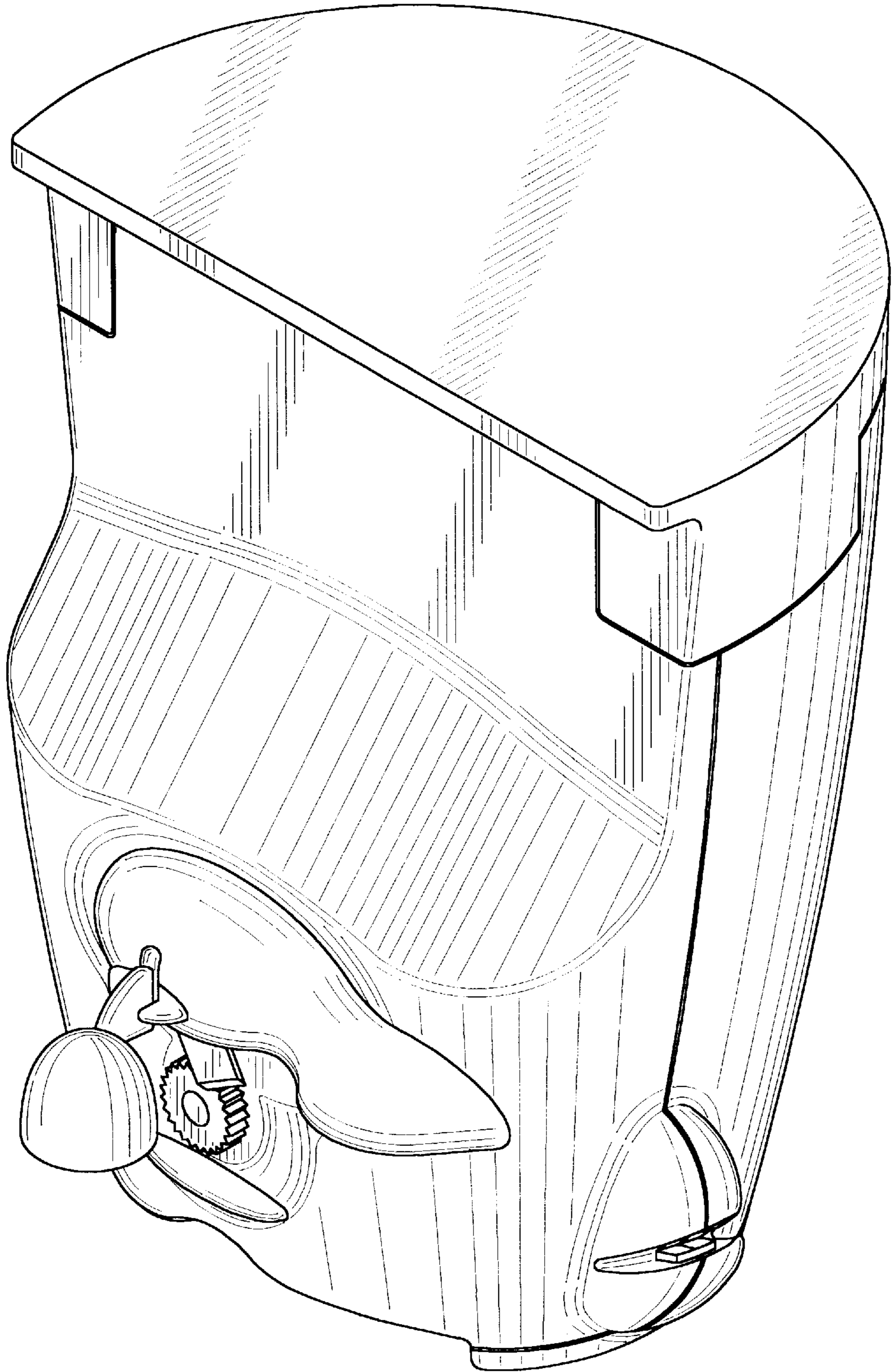


FIG. 1

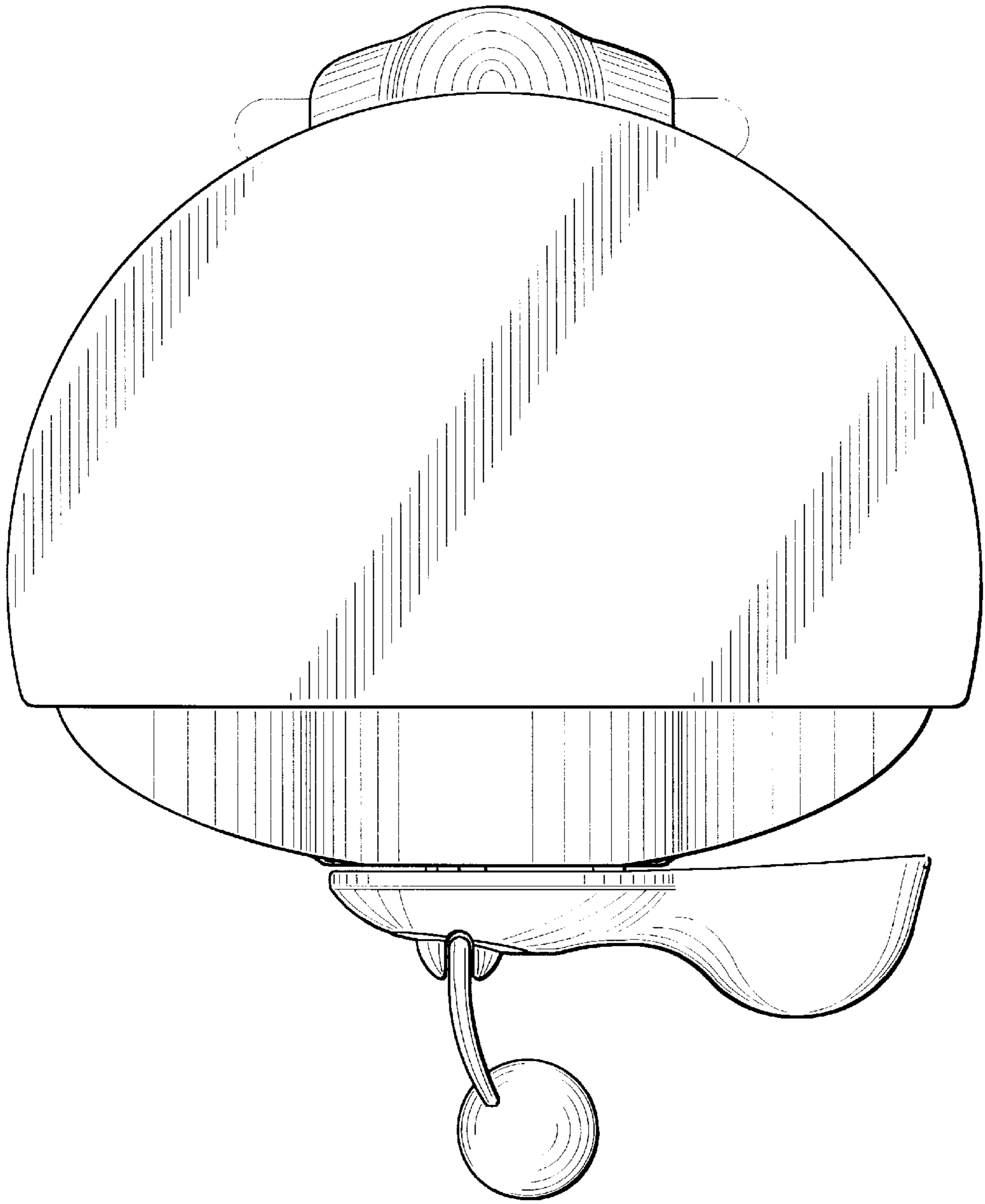


FIG. 2

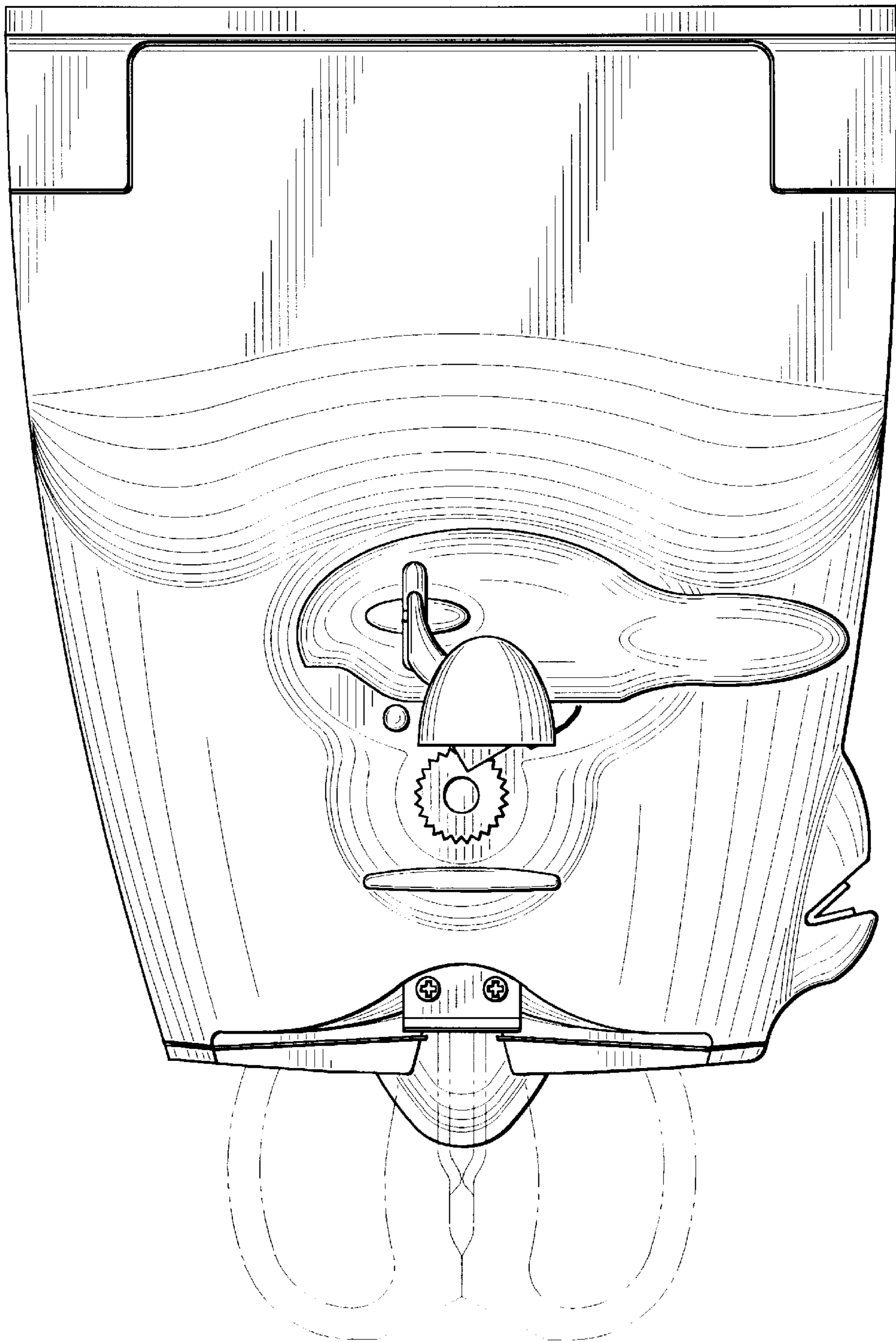


FIG. 3

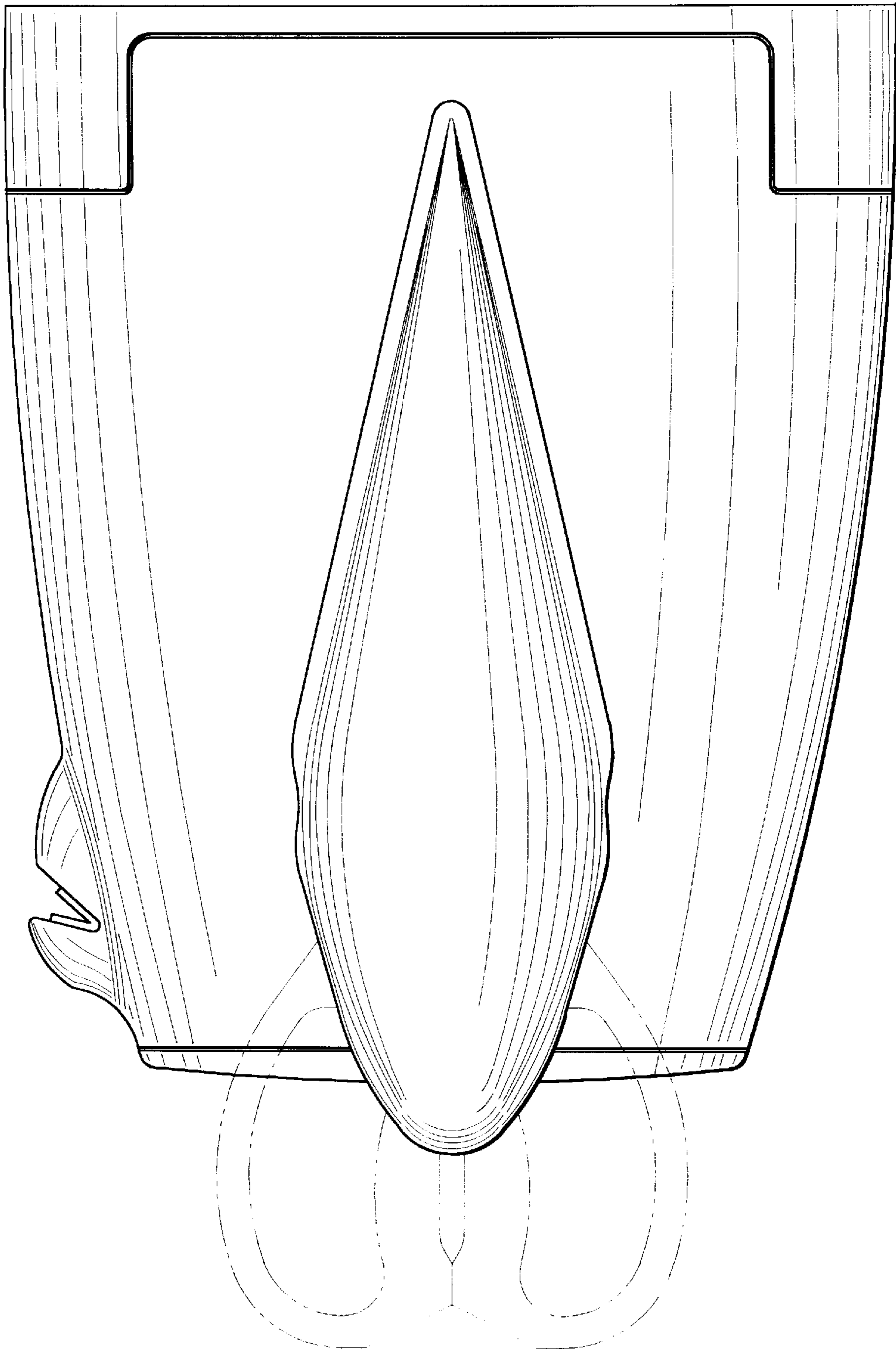


FIG. 4

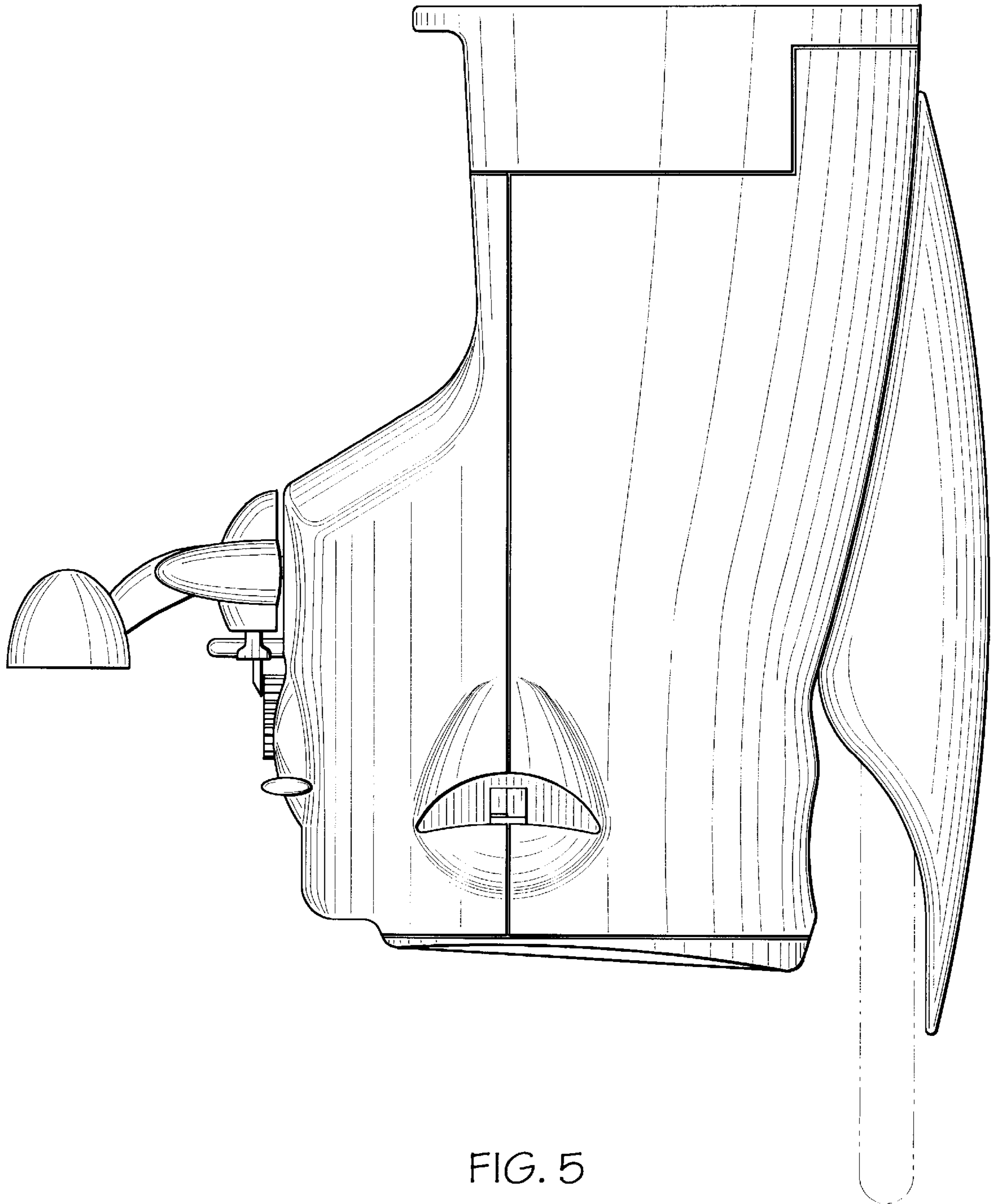


FIG. 5

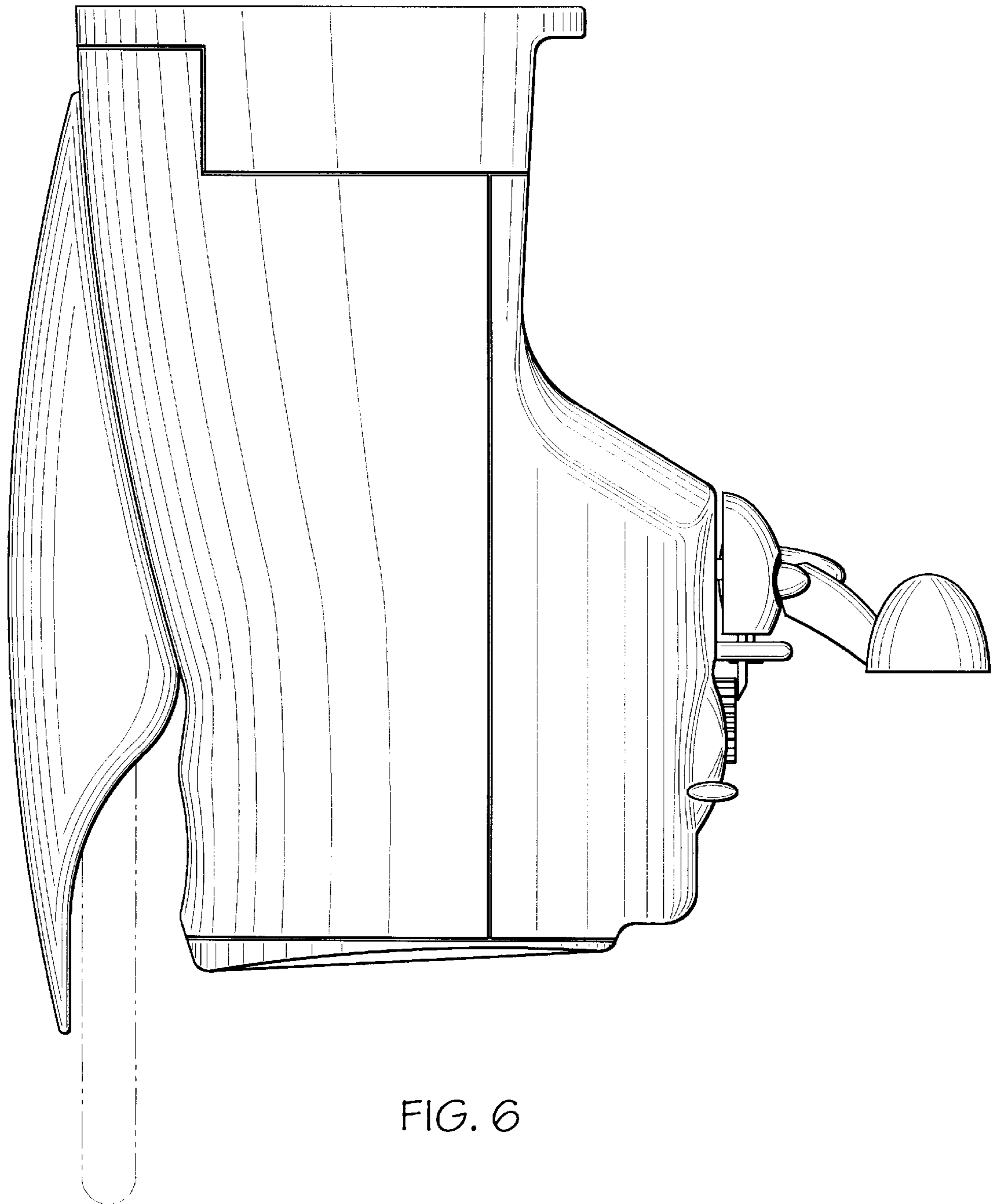


FIG. 6

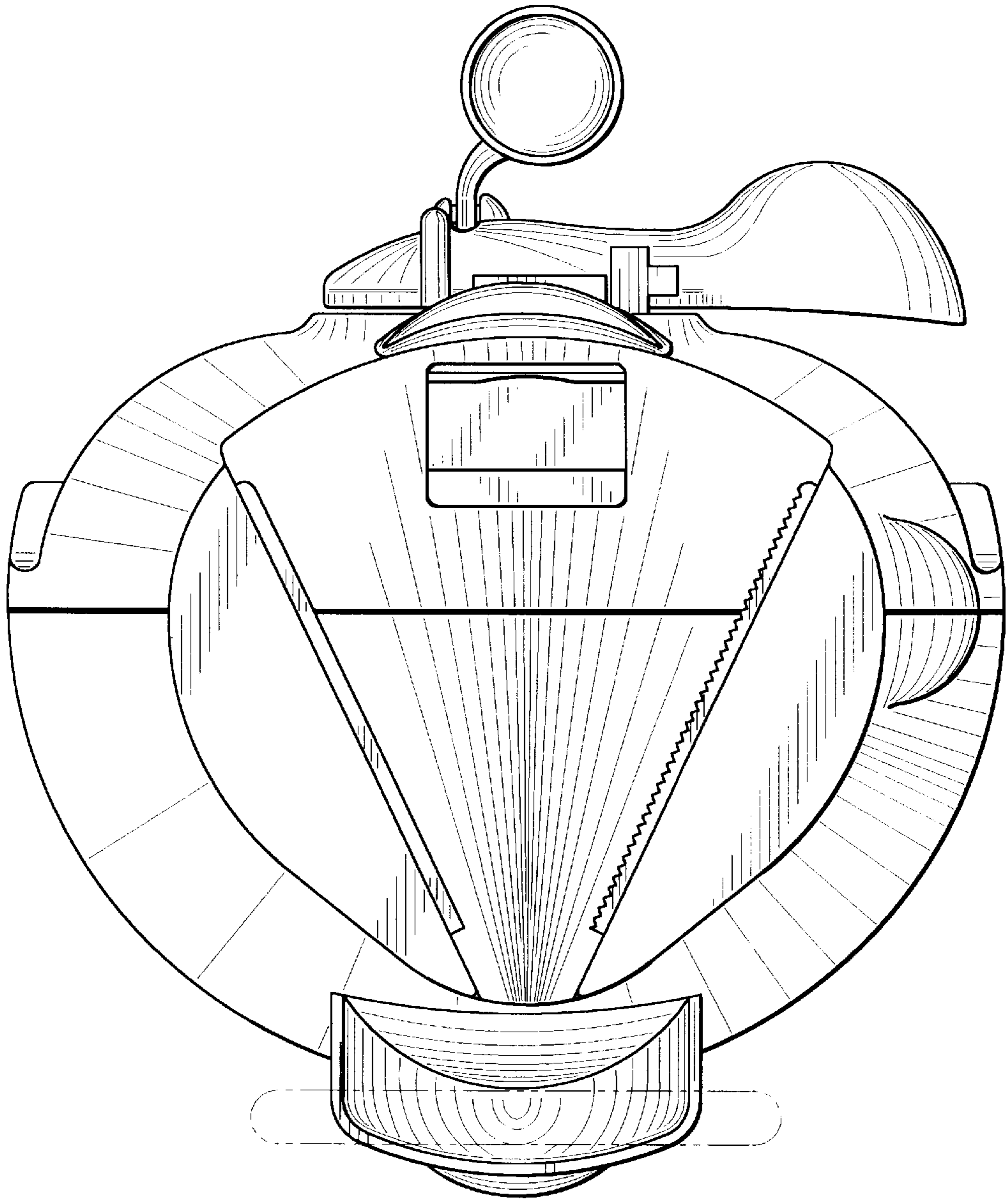


FIG. 7



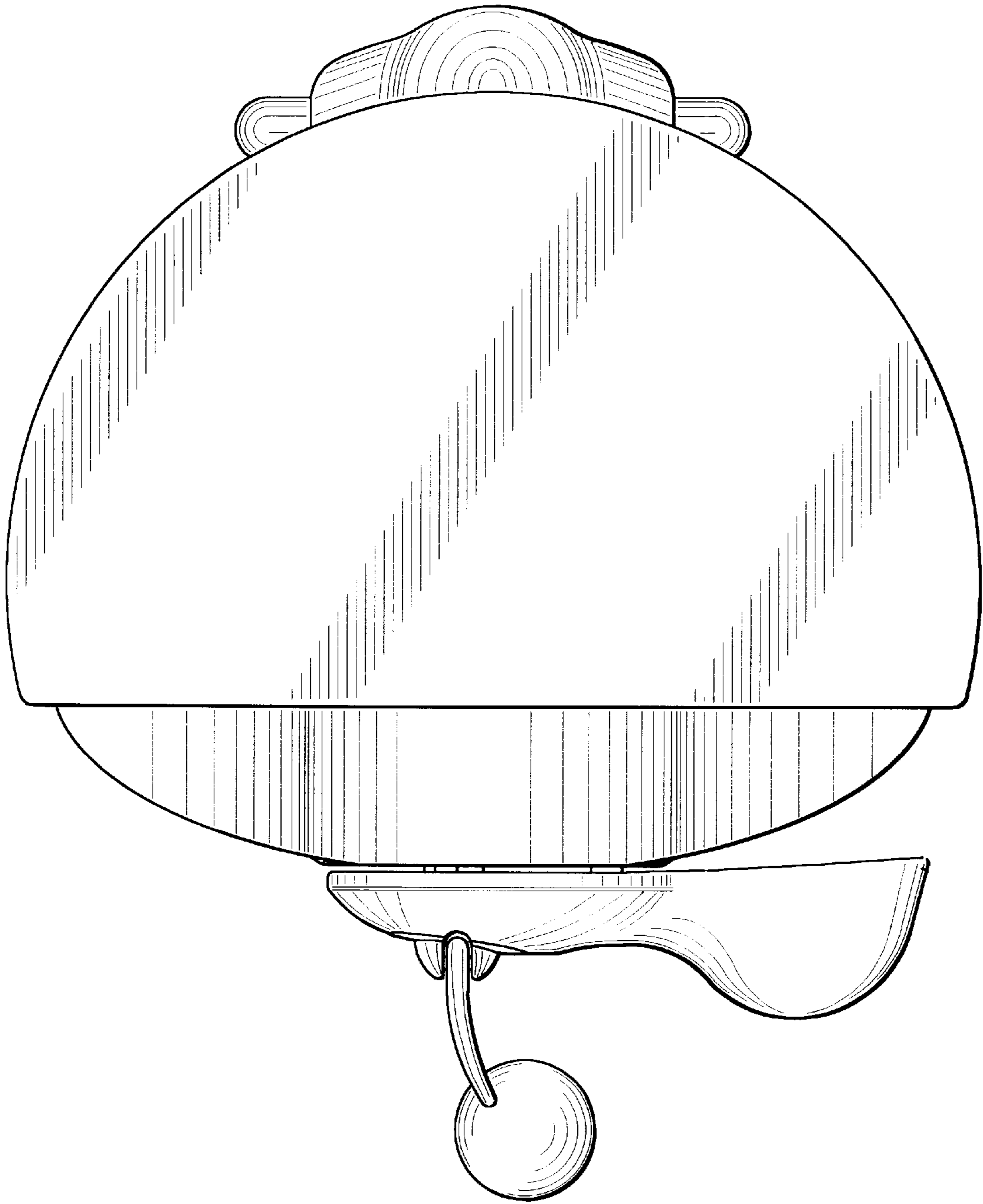


FIG. 8

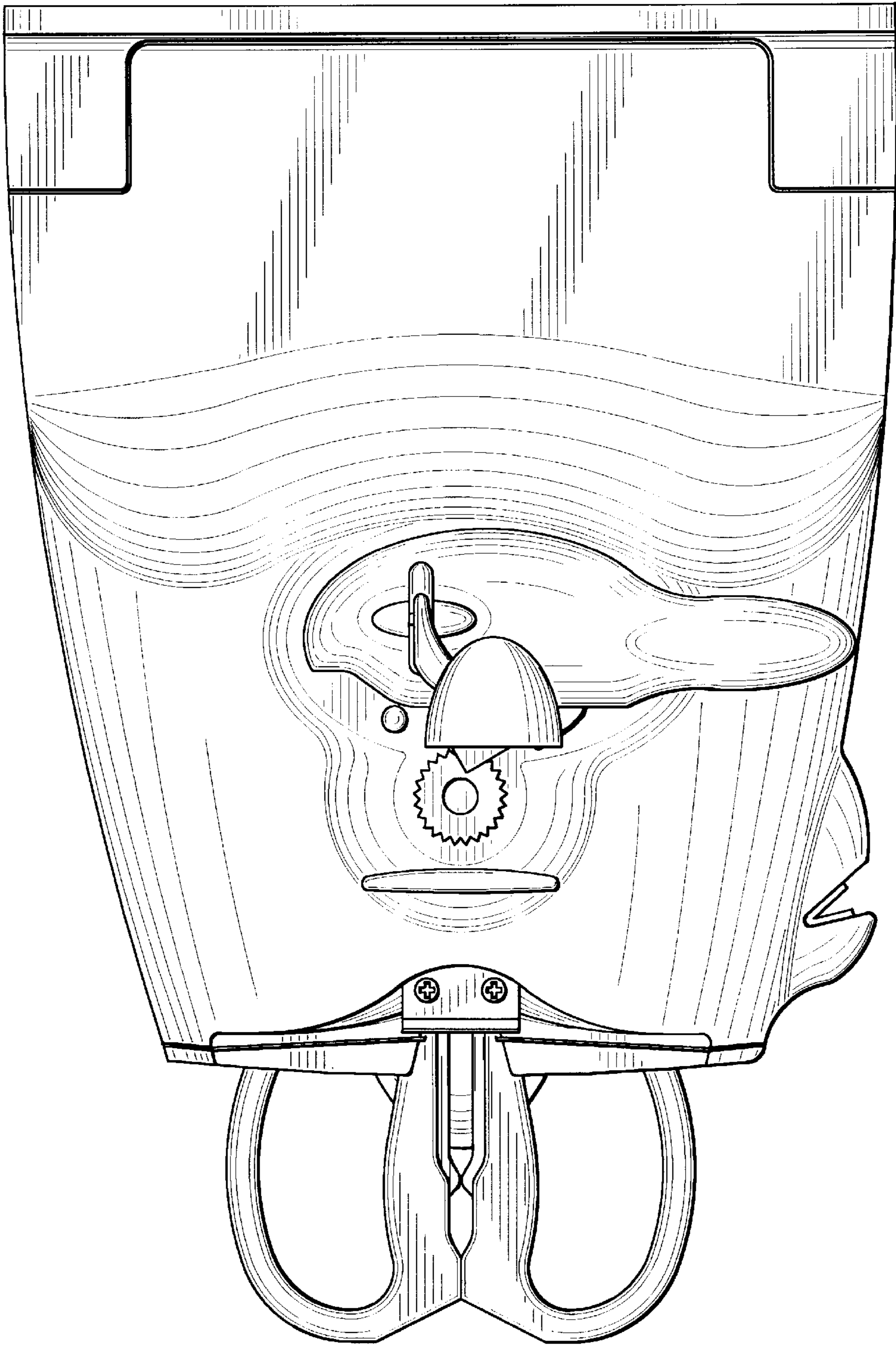


FIG. 9

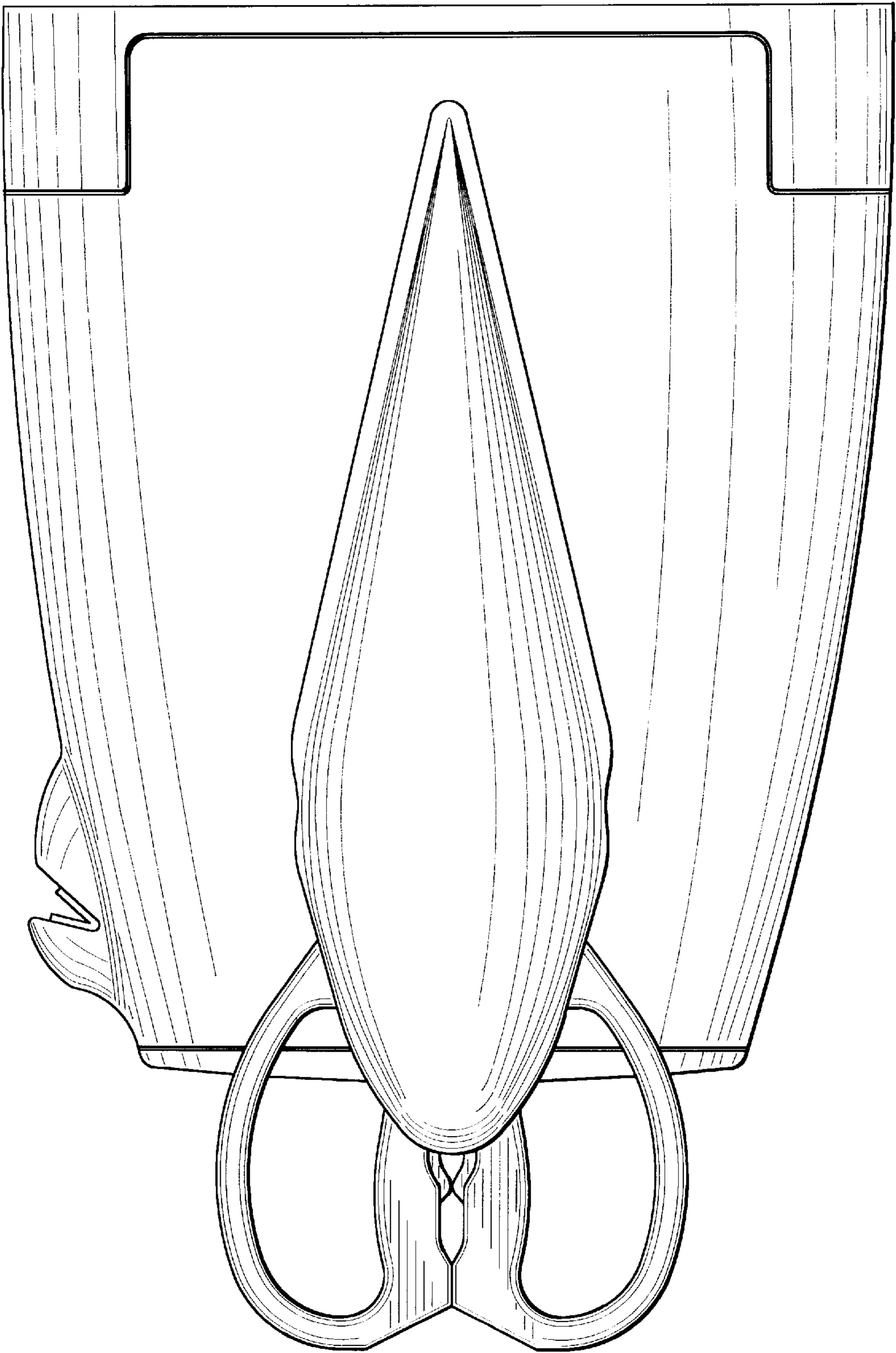


FIG. 10

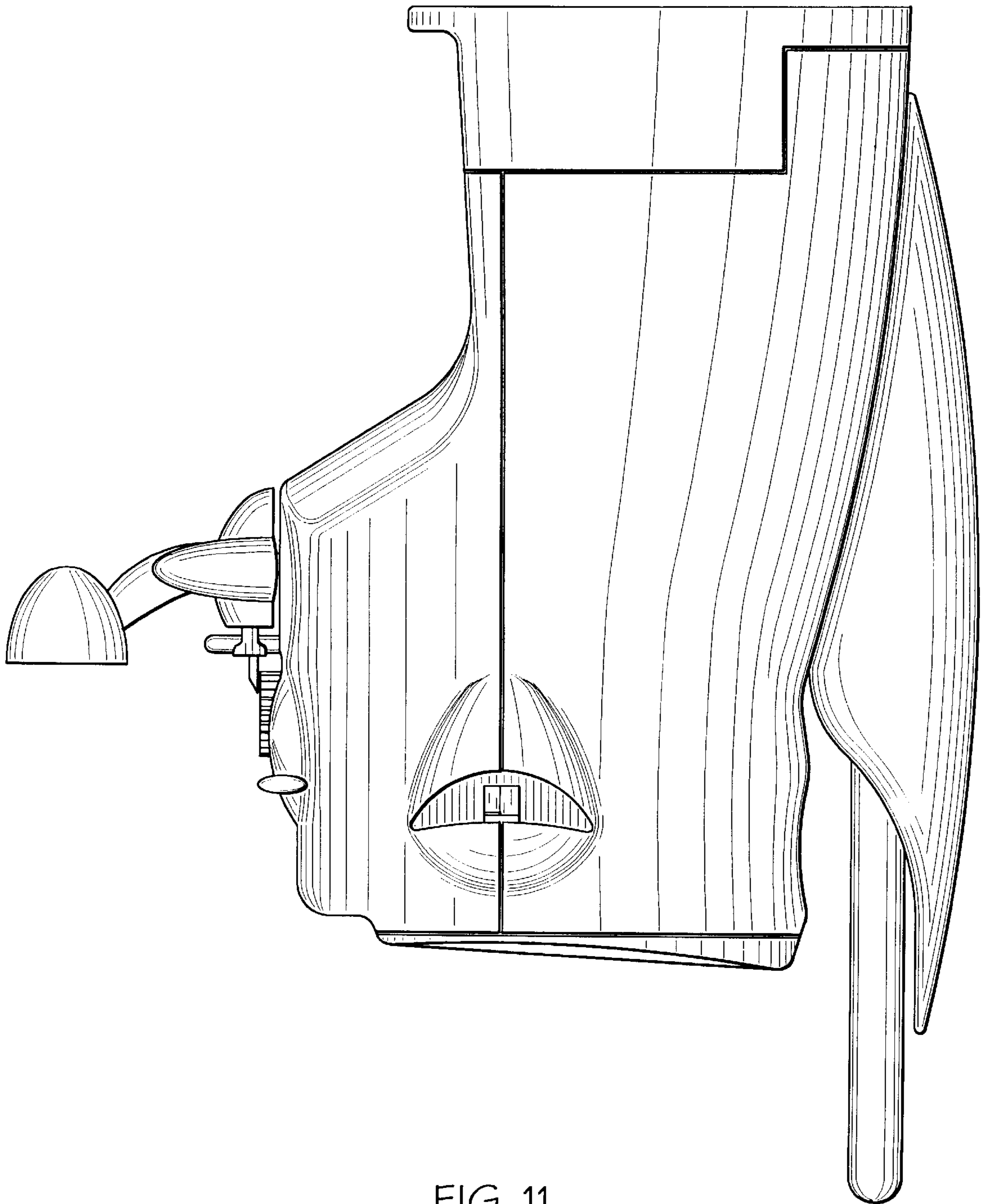


FIG. 11

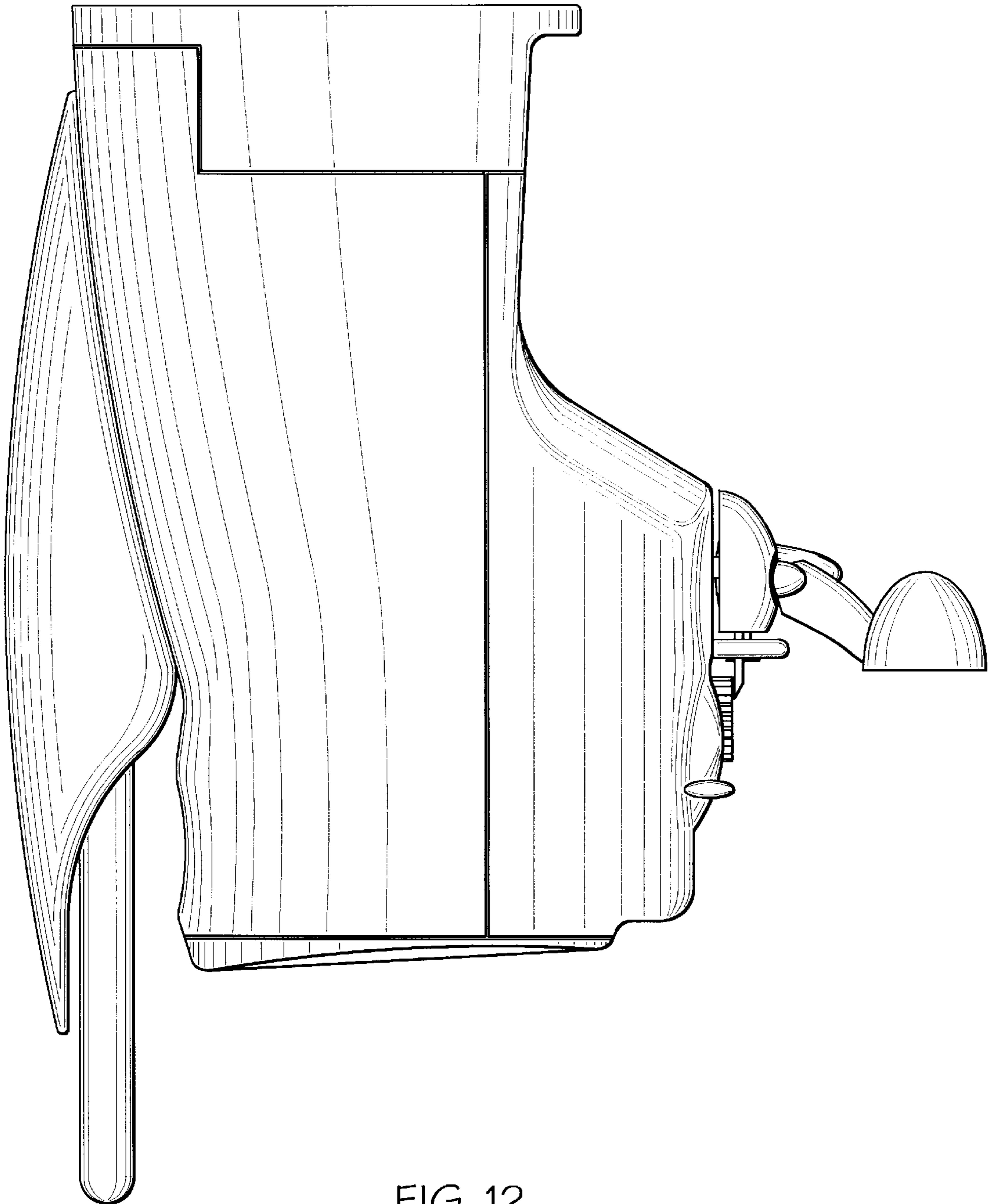


FIG. 12

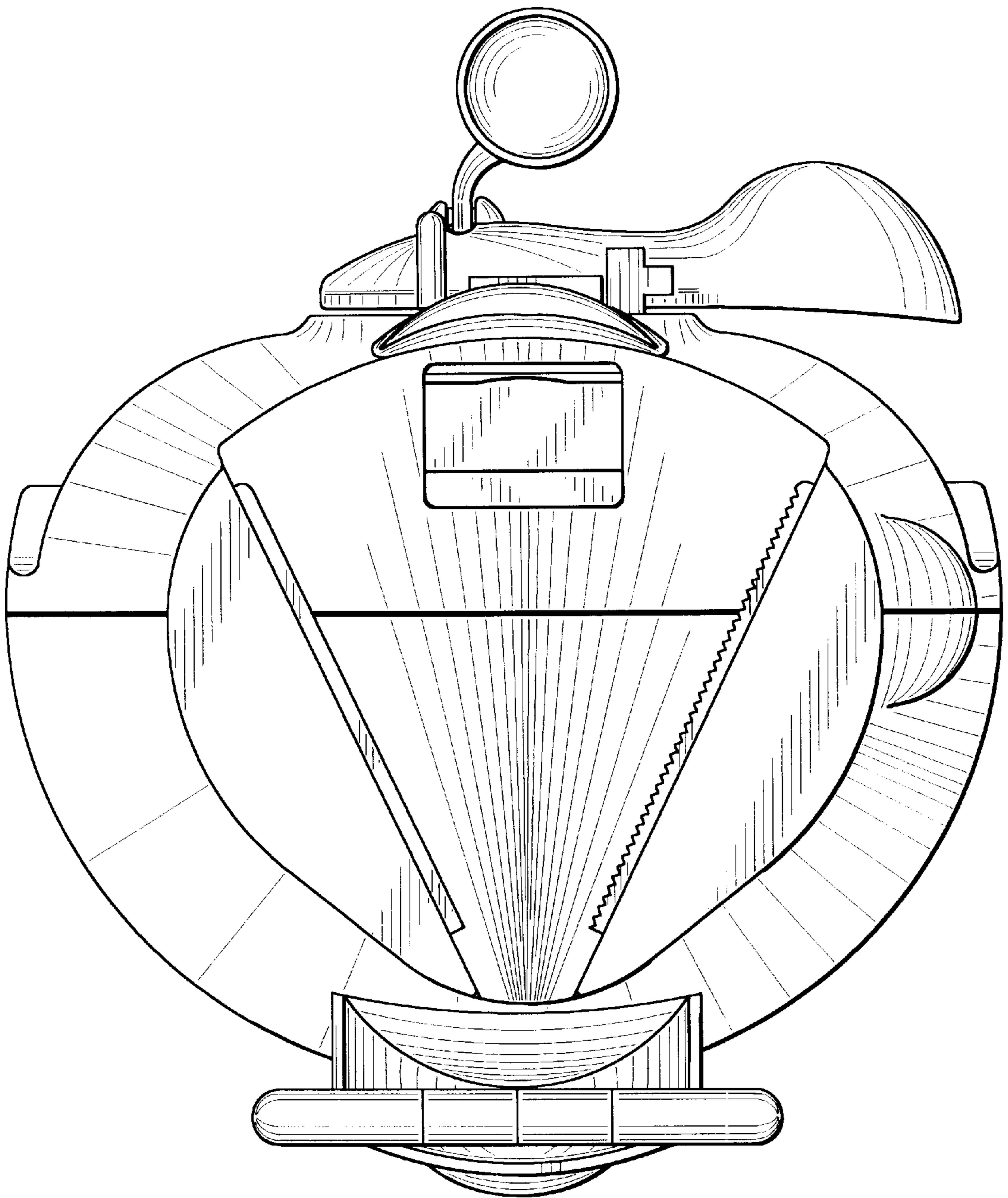


FIG. 13