



US00D417128S

United States Patent [19]
Gaard et al.

[11] **Patent Number: Des. 417,128**
[45] **Date of Patent: ** Nov. 30, 1999**

[54] **CITRUS FRUIT SEGMENTER DESIGN**

[75] Inventors: **Martin Gaard**, Edmonds; **David A. Holcomb**, Seattle, both of Wash.

[73] Assignee: **Chef'n Corporation**, Seattle, Wash.

[**] Term: **14 Years**

[21] Appl. No.: **29/093,437**

[22] Filed: **Sep. 10, 1998**

[51] **LOC (6) Cl.** **07-06**

[52] **U.S. Cl.** **D7/693**

[58] **Field of Search** D7/669, 693, 695,
D7/381, 672, 673; 30/114, 113.3; 83/762;
99/545

[56] **References Cited**

U.S. PATENT DOCUMENTS

1,339,367	5/1920	Risdon .	
1,538,398	5/1925	Grainge .	
1,794,800	3/1931	Smith	30/113.3
2,089,980	8/1937	Owen	83/762
2,463,166	3/1949	Geier et al.	242/120
2,733,746	2/1956	Rauner	146/3
2,797,478	7/1957	Gebhart et al.	30/24
3,018,808	1/1962	Belk	146/236
3,045,729	7/1962	Belk et al.	146/3
3,072,160	1/1963	Grotewold	146/3
3,073,365	1/1963	Polk, Jr. et al.	146/3

3,088,507	5/1963	Mulford	146/3
3,102,566	9/1963	Willis	146/3
3,105,531	10/1963	Belk	146/3
3,113,603	12/1963	Gardiner	146/43
3,888,000	6/1975	Ladlow	30/114
4,580,343	4/1986	Bell, Jr.	30/114
4,959,903	10/1990	Daoust et al.	30/123.5
5,337,480	8/1994	Codikow	30/114

FOREIGN PATENT DOCUMENTS

210822	4/1921	Canada .
275549	3/1927	Canada .
470436	1/1951	Canada .

Primary Examiner—Terry A. Wallace
Attorney, Agent, or Firm—Seed and Berry LLP

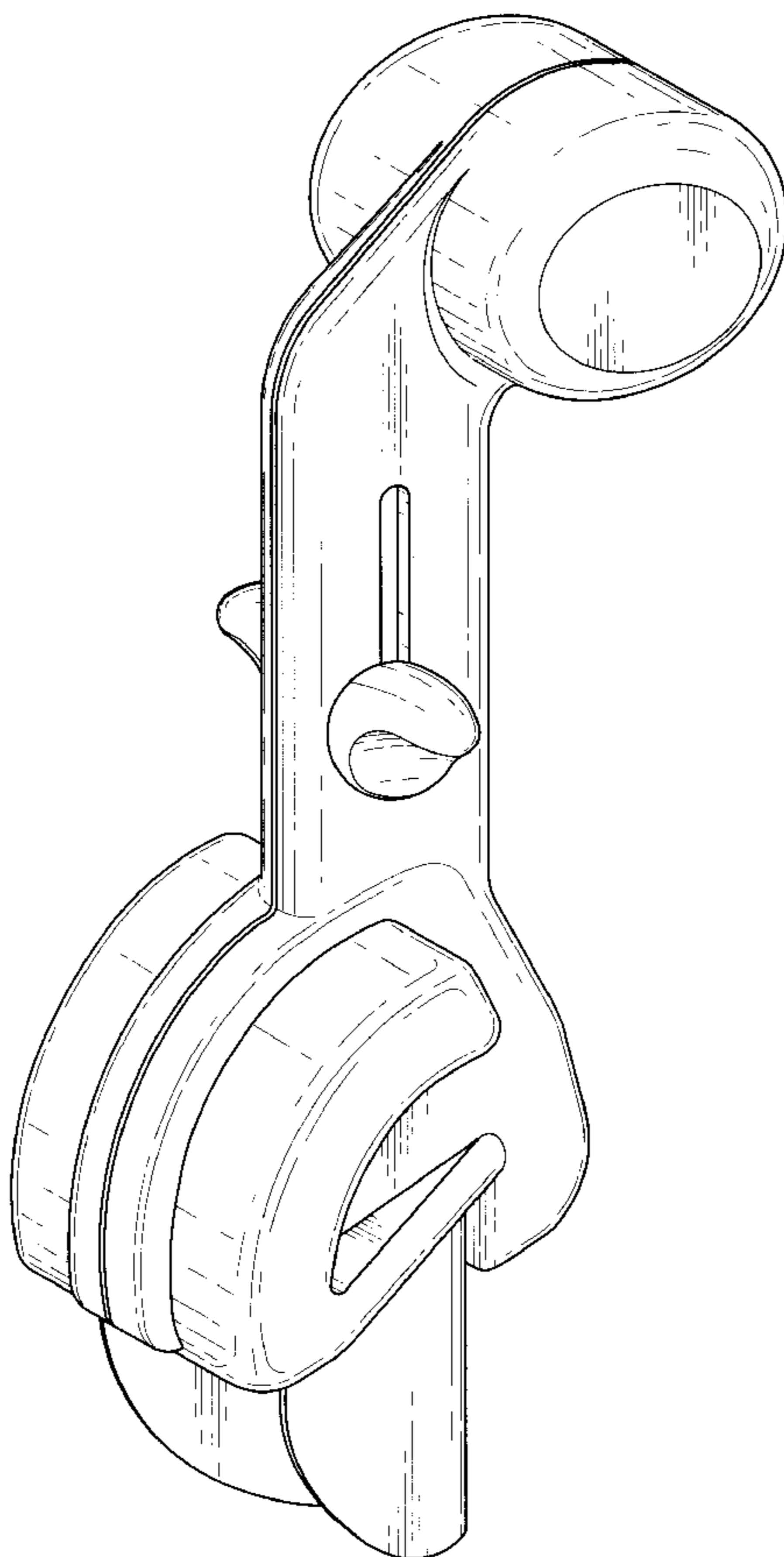
[57] **CLAIM**

The ornamental design for a citrus fruit segmenter design, as shown and described.

DESCRIPTION

FIG. 1 is a front perspective view of a citrus fruit segmenter showing our new design.
FIG. 2 is a bottom view thereof.
FIG. 3 is a top plan view thereof.
FIG. 4 is a right side elevational view thereof and the left side is a mirror image of the right side.
FIG. 5 is a rear elevational view thereof; and,
FIG. 6 is a front elevational view thereof.

1 Claim, 3 Drawing Sheets



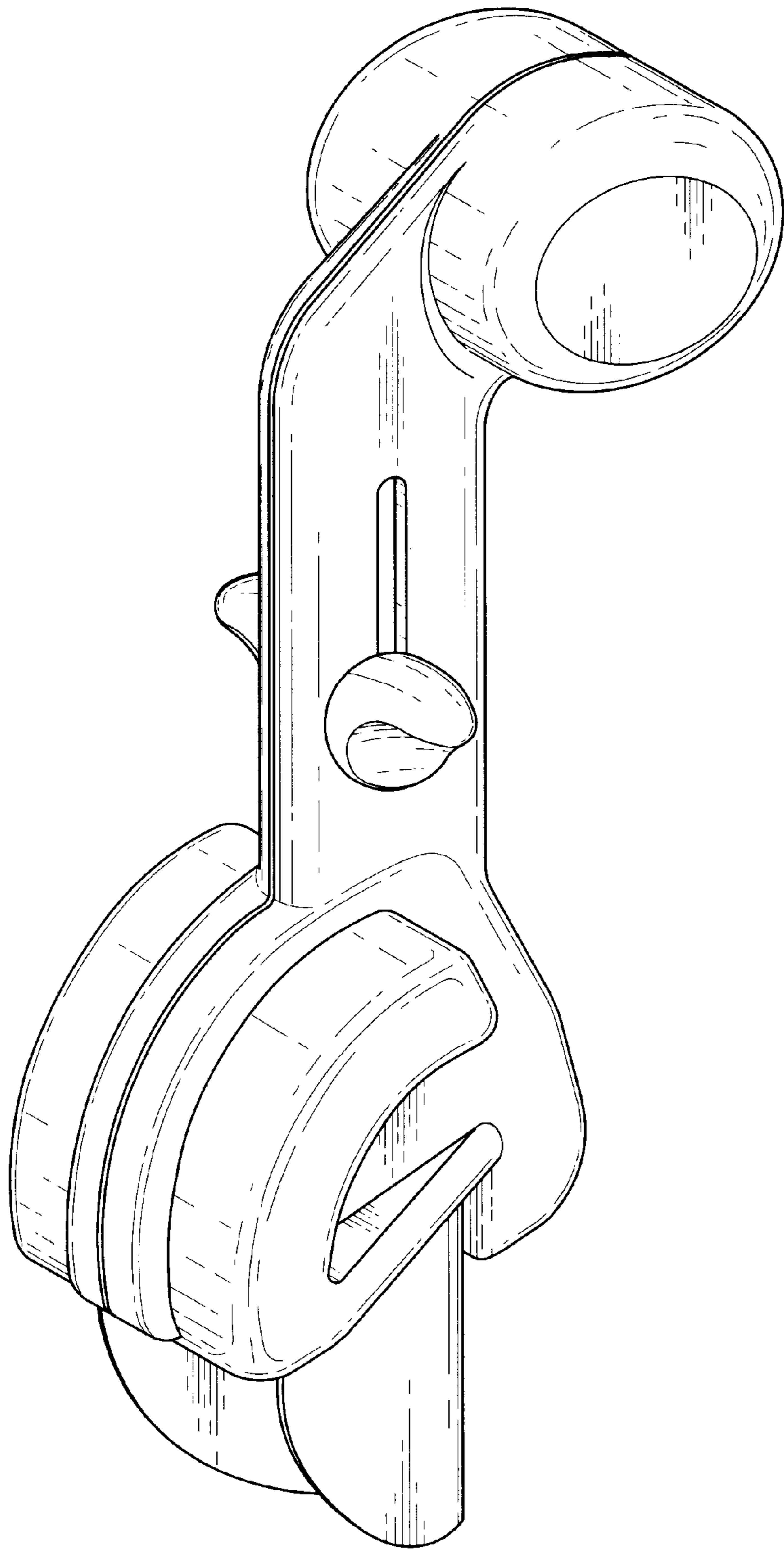


Fig. 1

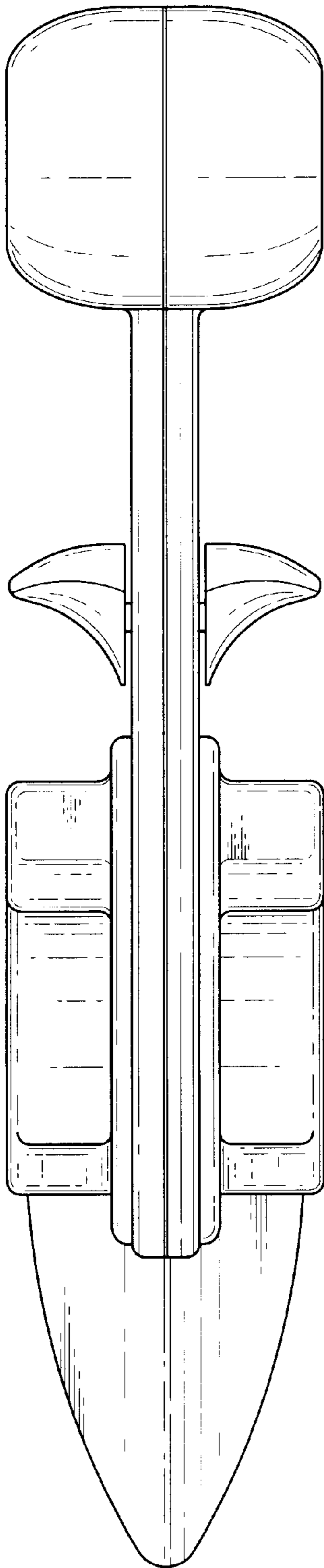


Fig. 2

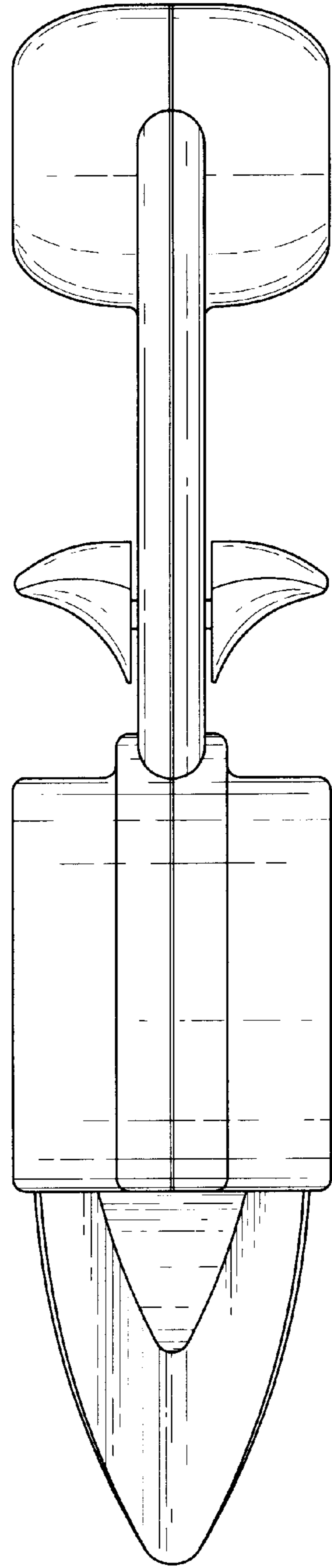


Fig. 3

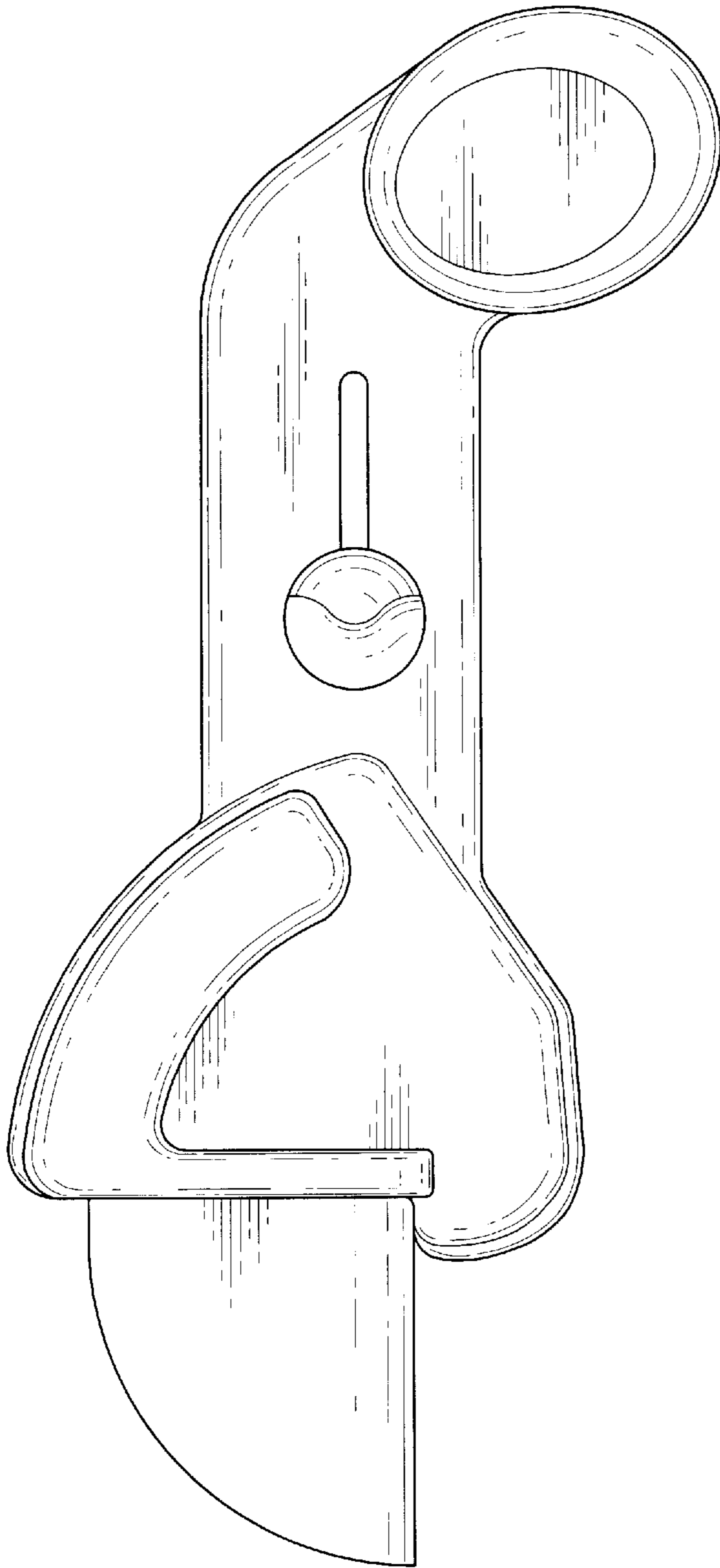


Fig. 4

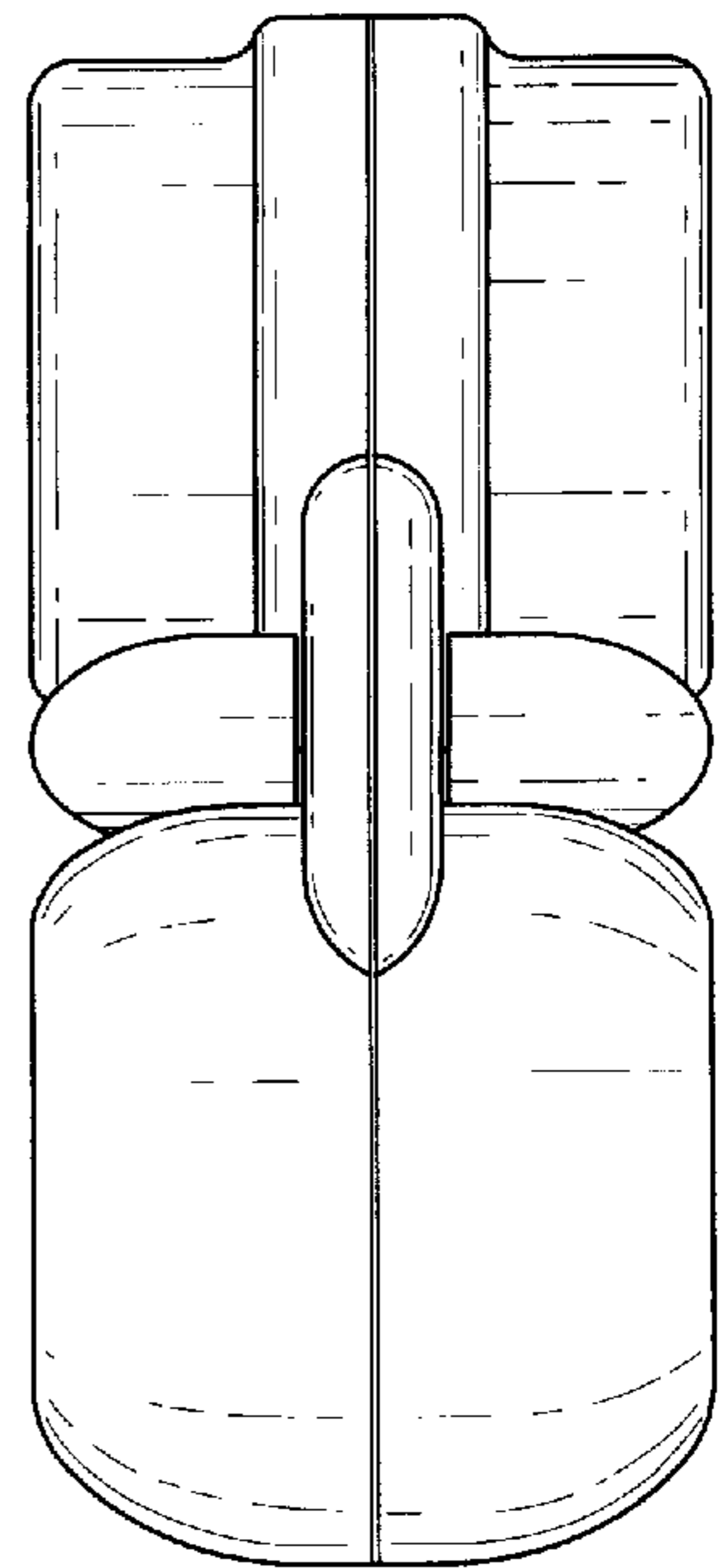


Fig. 5

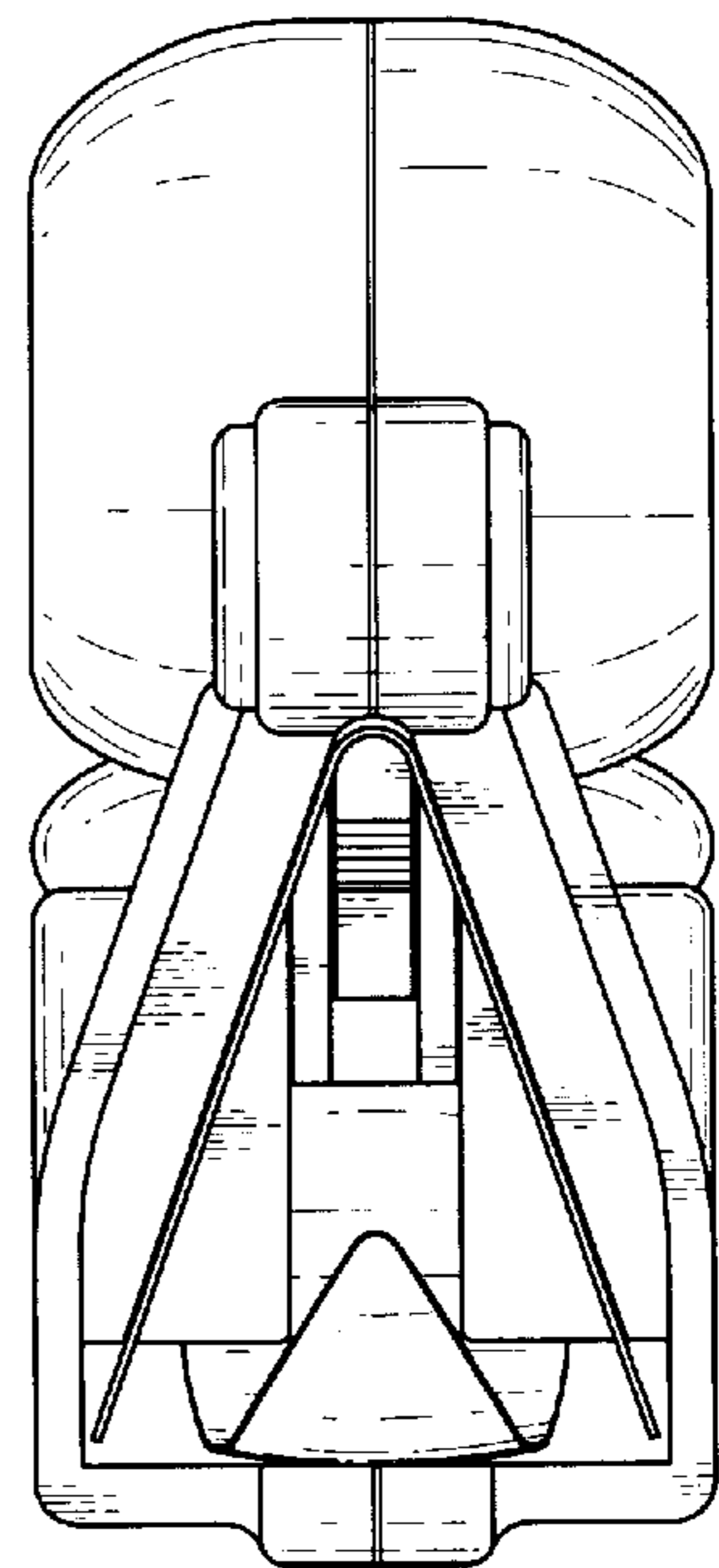


Fig. 6