



US00D417127S

United States Patent [19]
Steadward et al.

[11] **Patent Number: Des. 417,127**

[45] **Date of Patent: ** Nov. 30, 1999**

[54] **HEATED BEVERAGE CONTAINER**

[76] Inventors: **Thomas J Steadward**, 20 Ashford Dr.;
Jeffrey Schroder, 6 Lakeview Dr., both
of Ashford, Conn. 06278

[**] Term: **14 Years**

[21] Appl. No.: **29/093,390**

[22] Filed: **Sep. 10, 1998**

[51] **LOC (6) Cl.** **07-01**

[52] **U.S. Cl.** **D7/608**

[58] **Field of Search** D7/605, 608, 502-504,
D7/538, 557, 554; 220/410-412; 215/12.1,
13.1, 6; 62/457.1, 457.3, 457.4, 457.7;
D9/504, 503, 557

[56] **References Cited**

U.S. PATENT DOCUMENTS

D. 296,645	7/1988	Seeley	D7/608
D. 351,321	10/1994	Steppe, Sr.	D7/608
D. 363,858	11/1995	Sweeney	D7/608
3,327,881	6/1967	Maier	215/6

Primary Examiner—Mitchell I Siegel

[57] **CLAIM**

The ornamental design for a heated beverage container, as shown.

DESCRIPTION

FIG. 1 is an exploded front elevational view of the heated beverage container of the present invention;
 FIG. 2 is an exploded back elevational view of the heated beverage container of FIG. 1;
 FIG. 3 is an exploded left side elevational view of the heated beverage container of FIG. 1;
 FIG. 4 is an exploded right side elevational view of the heated beverage container of FIG. 1;
 FIG. 5 is an exploded top plan view of the heated beverage container of FIG. 1;
 FIG. 6 is an exploded bottom plan view of the heated beverage container of FIG. 1; and,
 FIG. 7 is a front elevational view of the heated beverage container of FIG. 1.

1 Claim, 4 Drawing Sheets

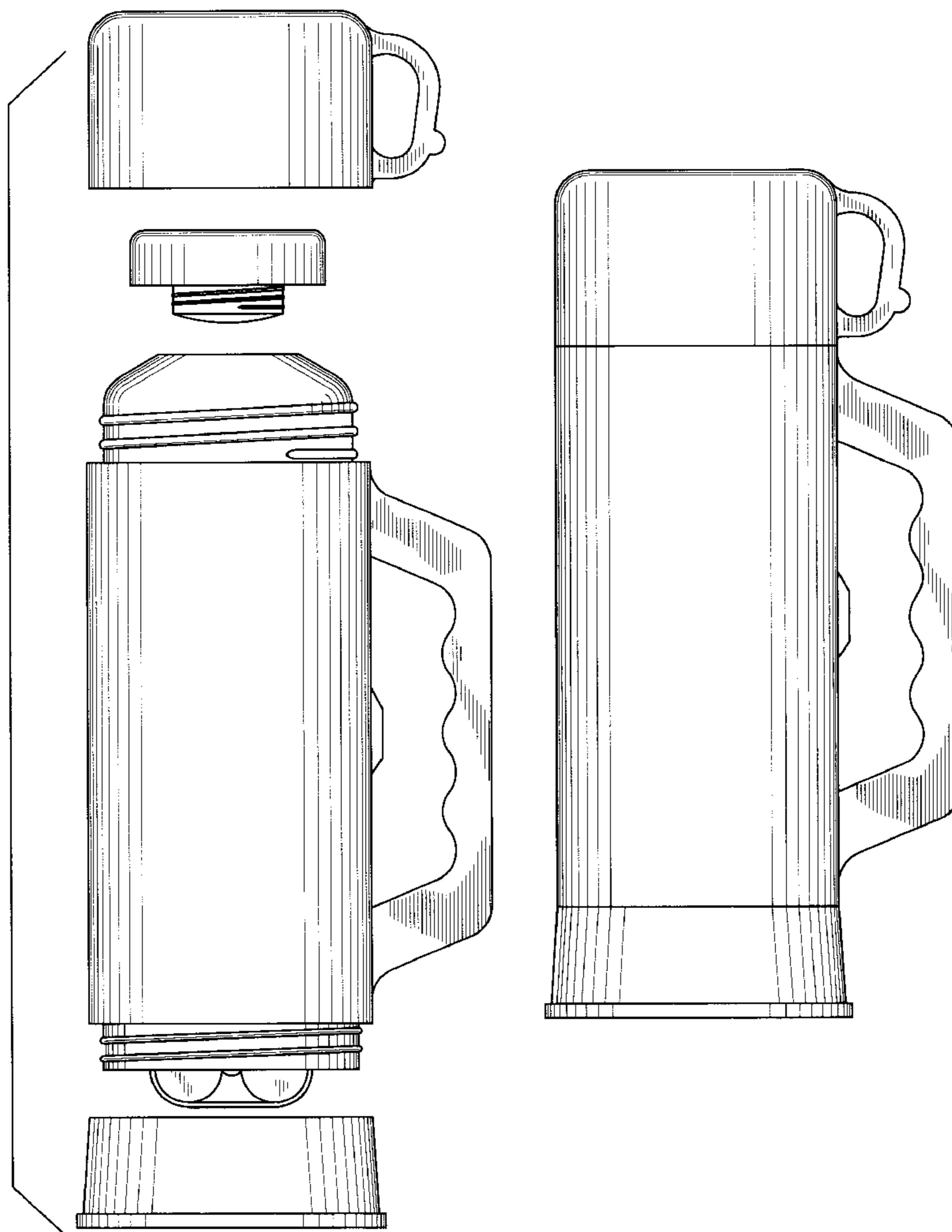


FIG. 1

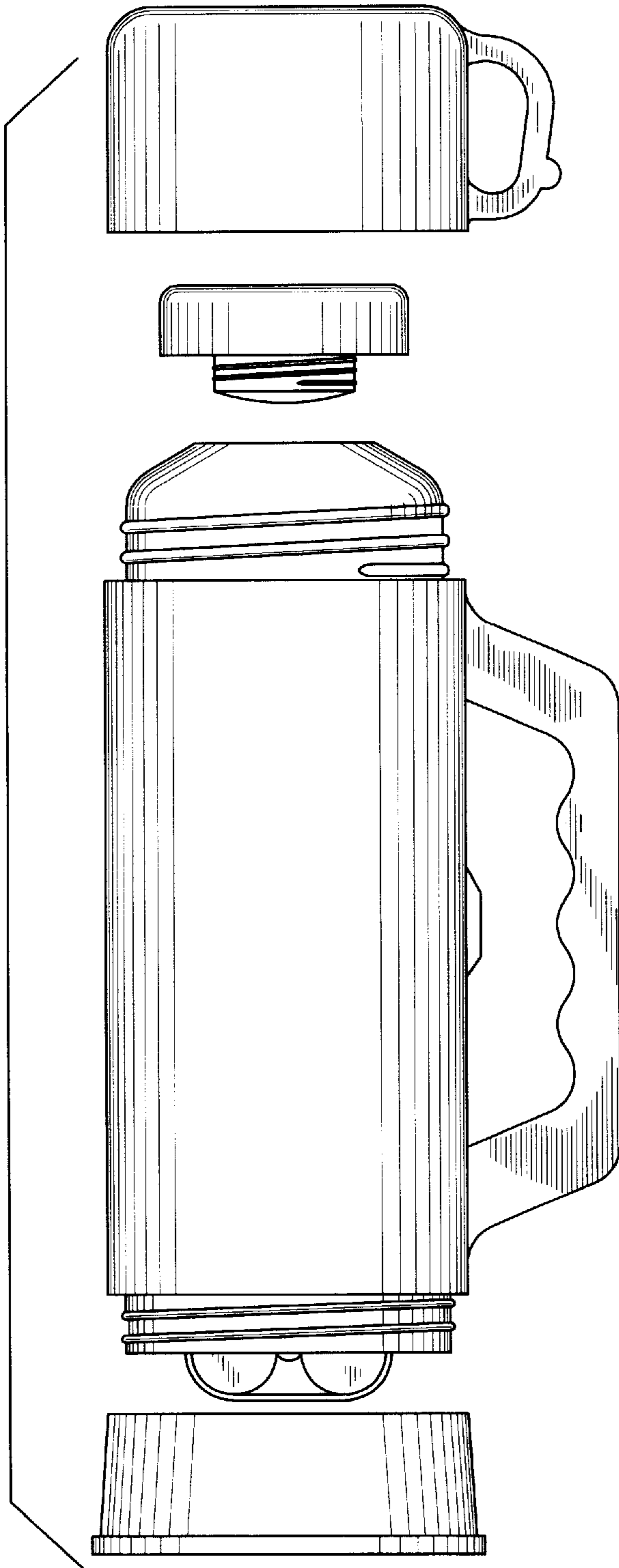


FIG. 4

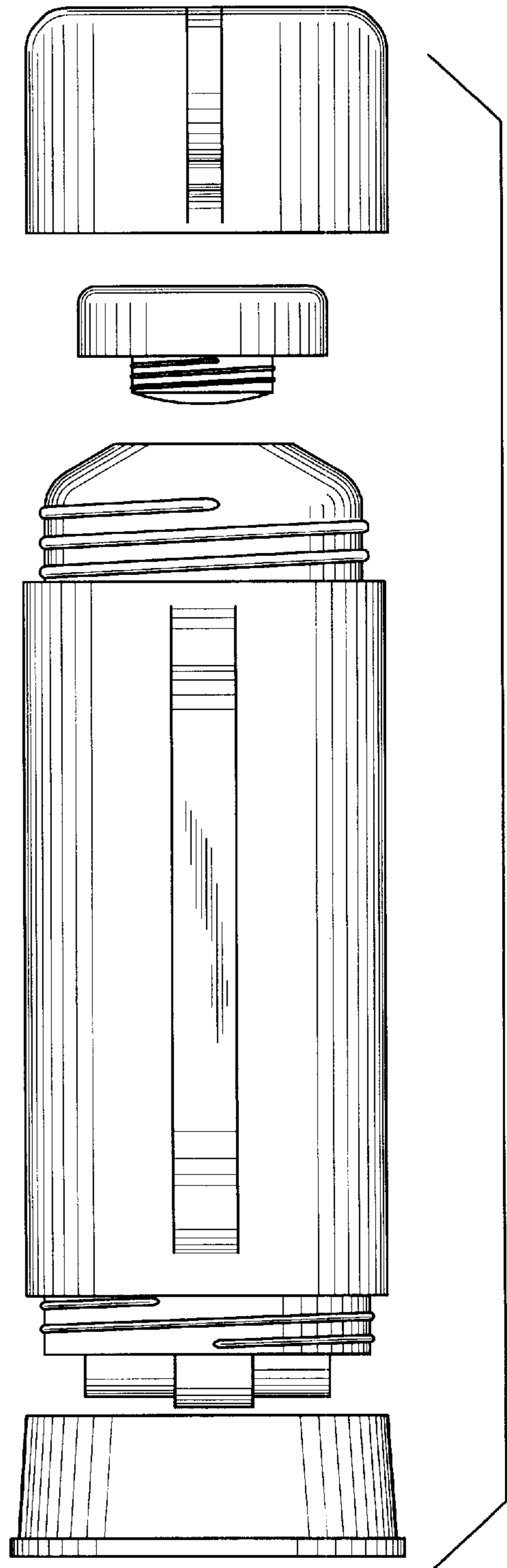


FIG. 3

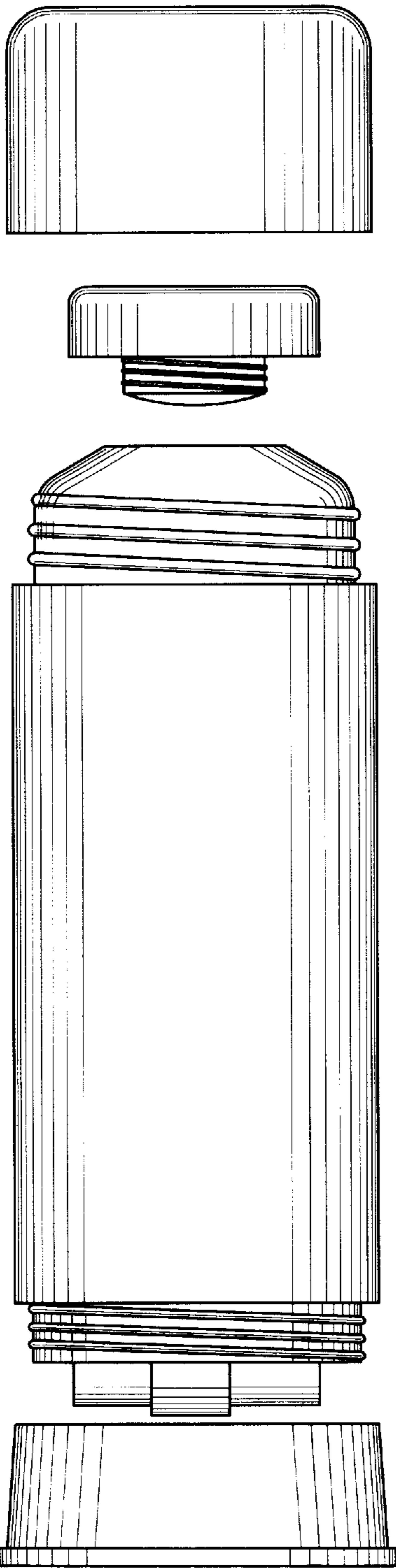


FIG. 2

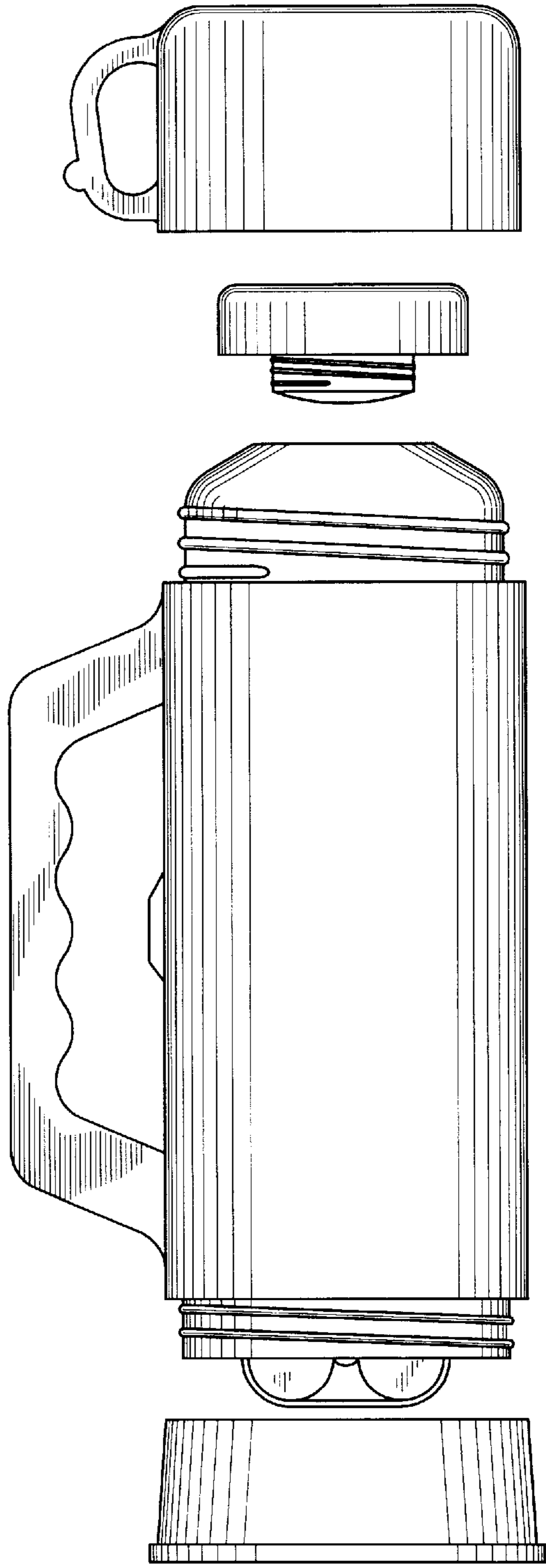


FIG. 5

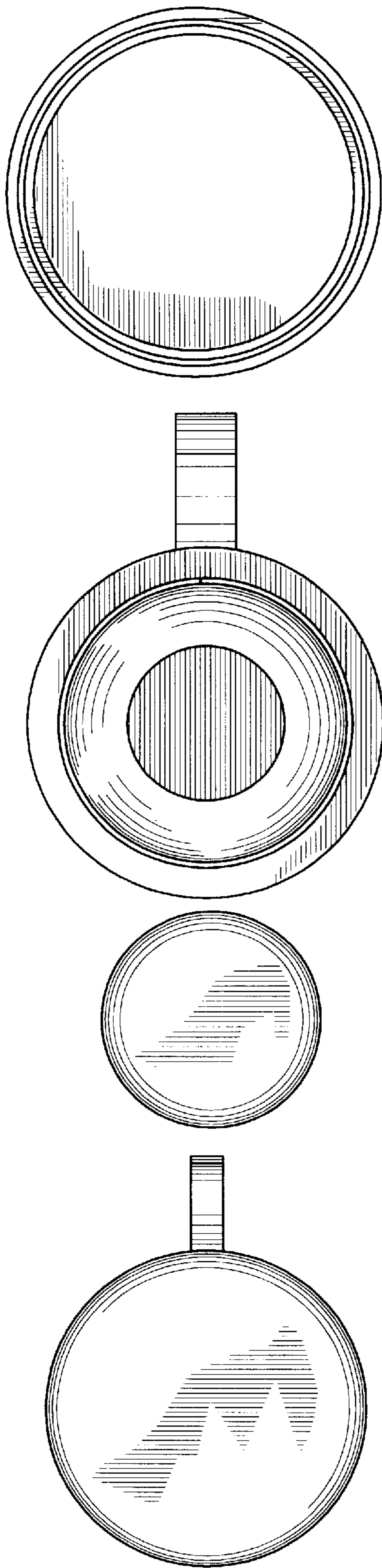


FIG. 6

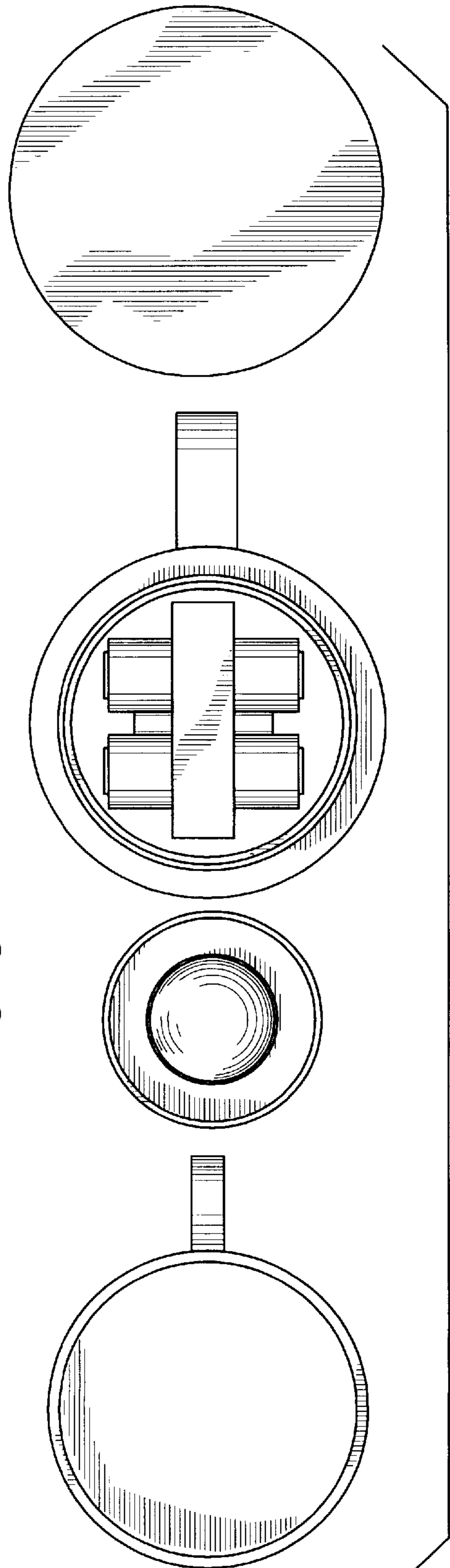


FIG. 7

