



US00D417126S

United States Patent [19]
Arnfelt

[11] **Patent Number: Des. 417,126**

[45] **Date of Patent: ** Nov. 30, 1999**

[54] **LID FOR A COOLER**

[76] Inventor: **David A. Arnfelt**, 816 10th Ave. NW.,
Waseca, Minn. 56093

[**] Term: **14 Years**

[21] Appl. No.: **29/091,763**

[22] Filed: **Aug. 5, 1998**

[51] **LOC (6) Cl.** **07-01**

[52] **U.S. Cl.** **D7/605**

[58] **Field of Search** D7/605-608; 62/457.1,
62/457.7, 371, 372; 220/410-412, 23.83

[56] **References Cited**

U.S. PATENT DOCUMENTS

- D. 295,483 5/1988 Tarozzi et al. D7/605
- D. 295,484 5/1988 Tarozzi et al. D7/605
- D. 347,970 6/1994 Wright .
- D. 355,813 2/1995 Vance .

- D. 362,788 10/1995 Hartman .
- D. 400,053 10/1998 Coffee et al. D7/605
- 5,350,081 9/1994 Graham 220/23.83

Primary Examiner—Mitchell Siegel

[57] **CLAIM**

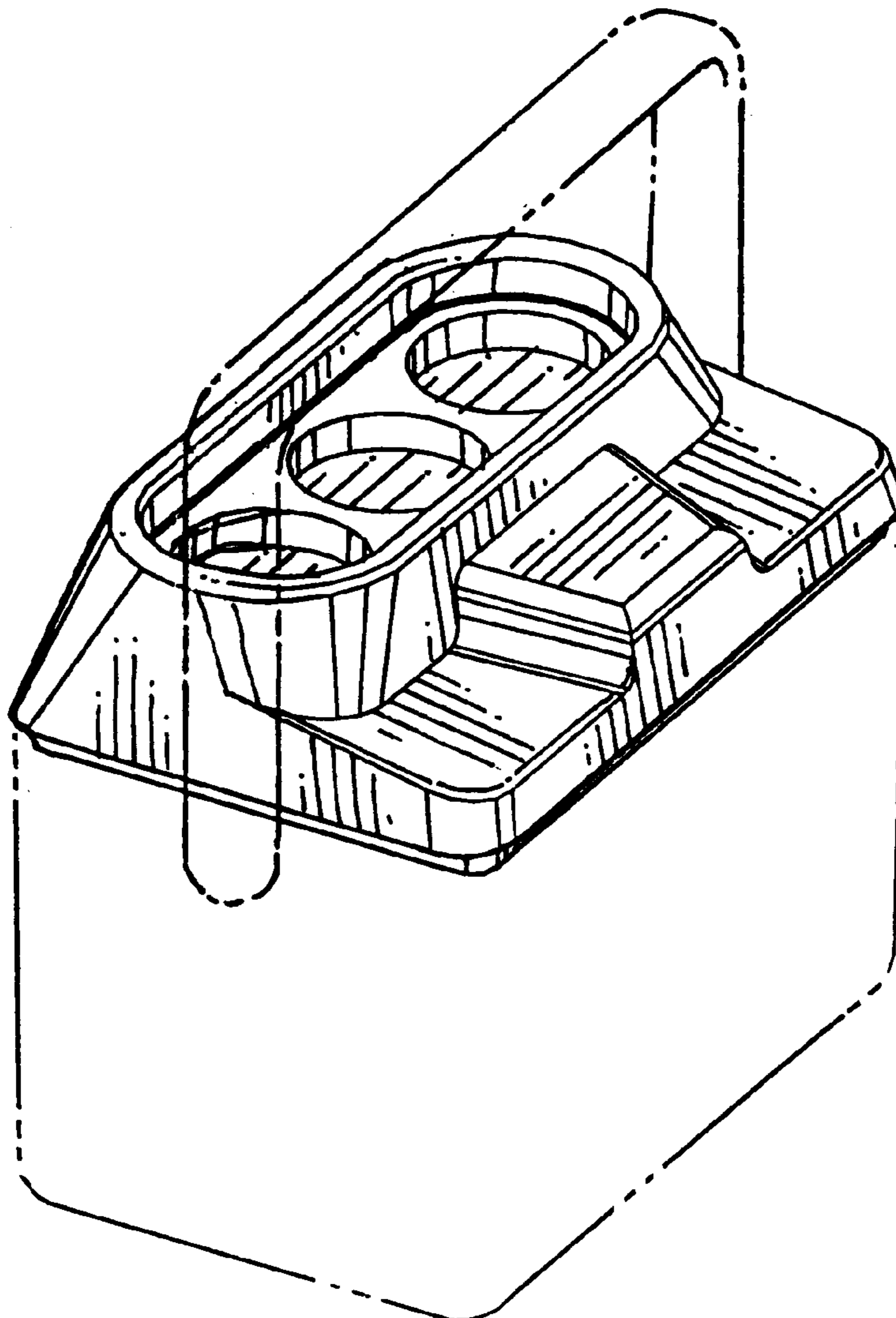
The ornamental design for a lid for a cooler, as shown and described.

DESCRIPTION

FIG. 1 is a perspective view of my design invention;
FIG. 2 is a top plan view thereof;
FIG. 3 is a front elevational view thereof;
FIG. 4 is a rear elevational view thereof;
FIG. 5 is a left side elevational view thereof right side
elevational view being a mirror image thereof; and,
FIG. 6 is a bottom plan view thereof.

The broken line showing of the cooler is for illustrative purposes only and forms no part of the claimed design.

1 Claim, 3 Drawing Sheets



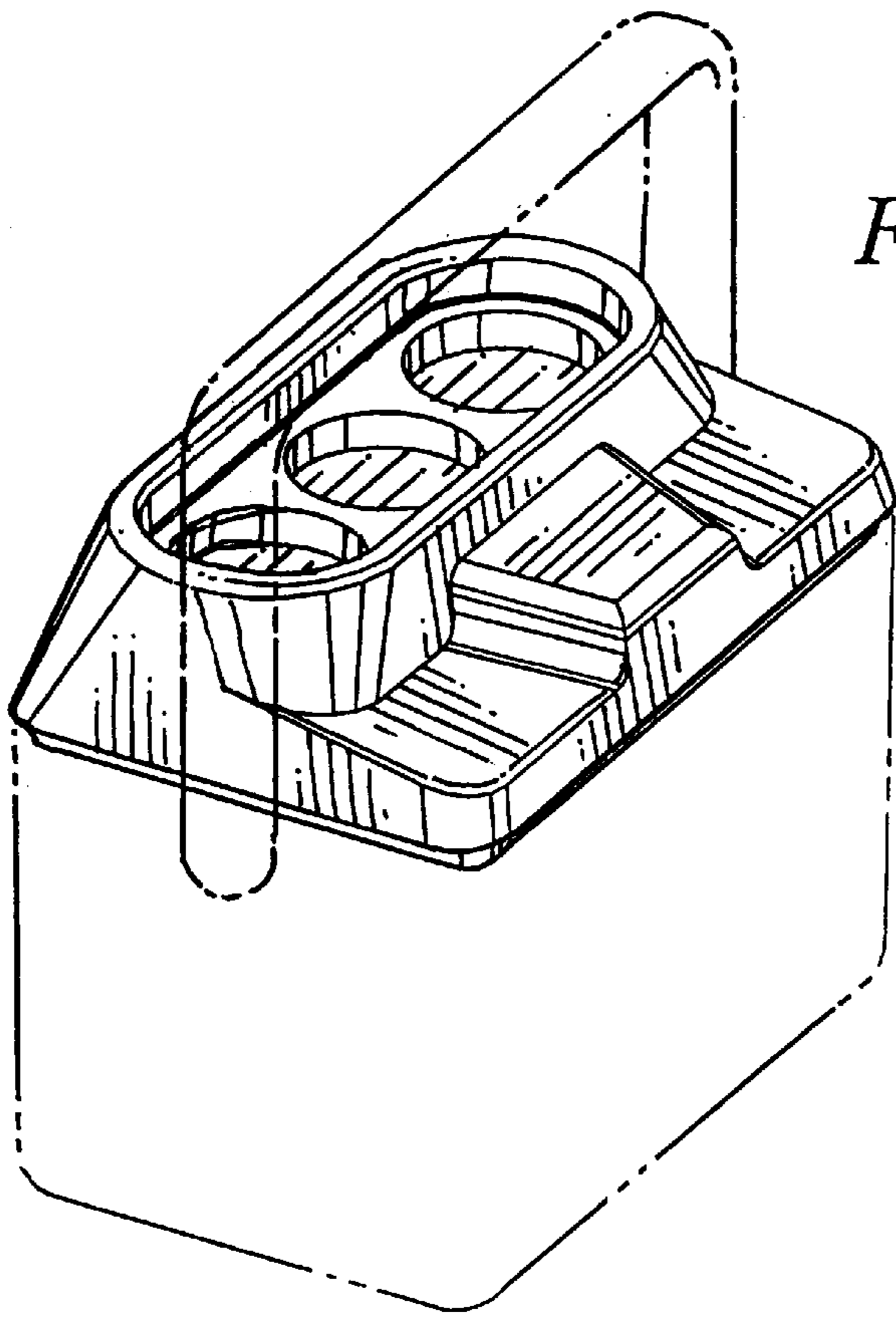


Fig. 1

Fig. 2

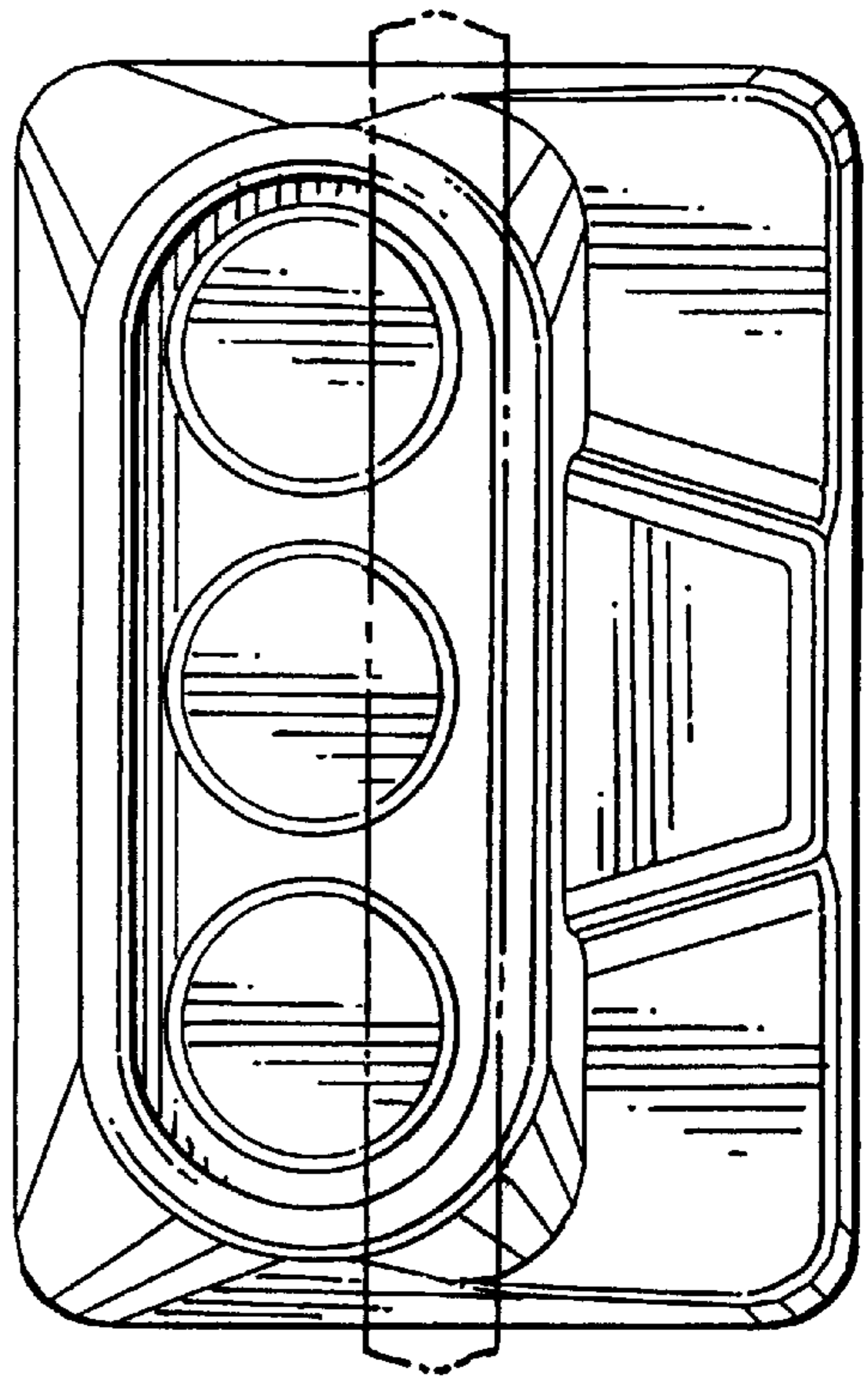


Fig. 3

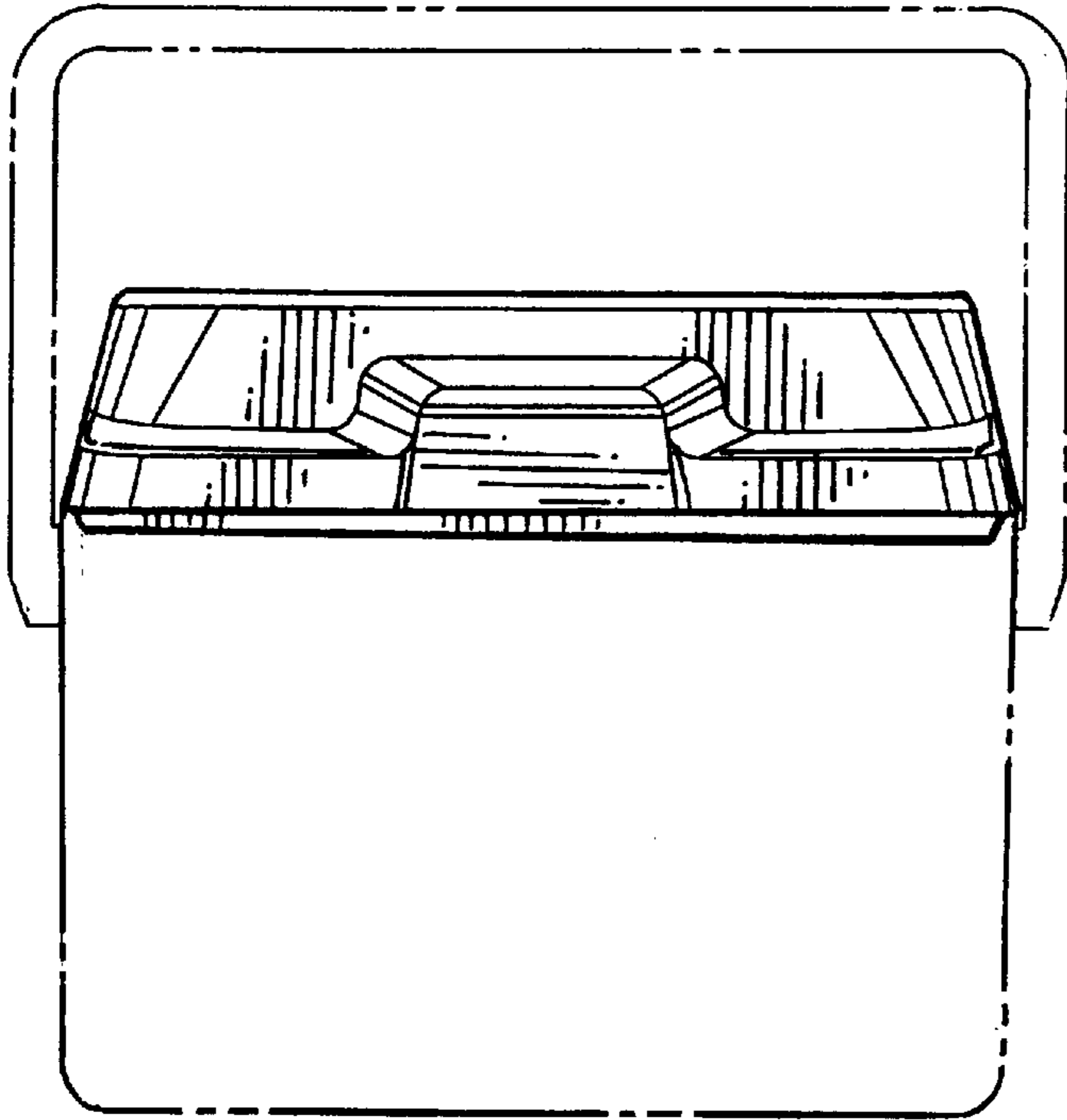


Fig. 4

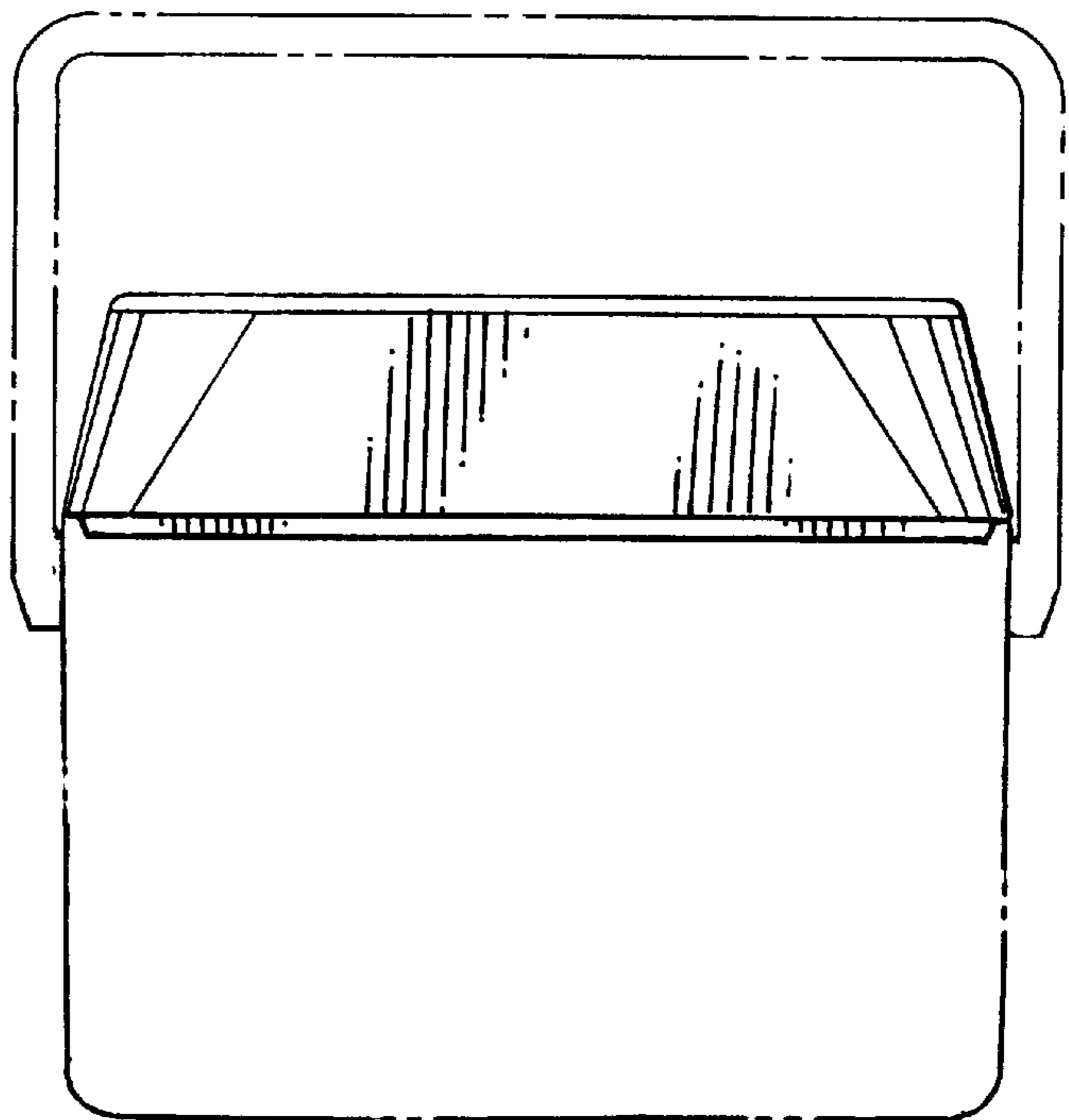


Fig. 5

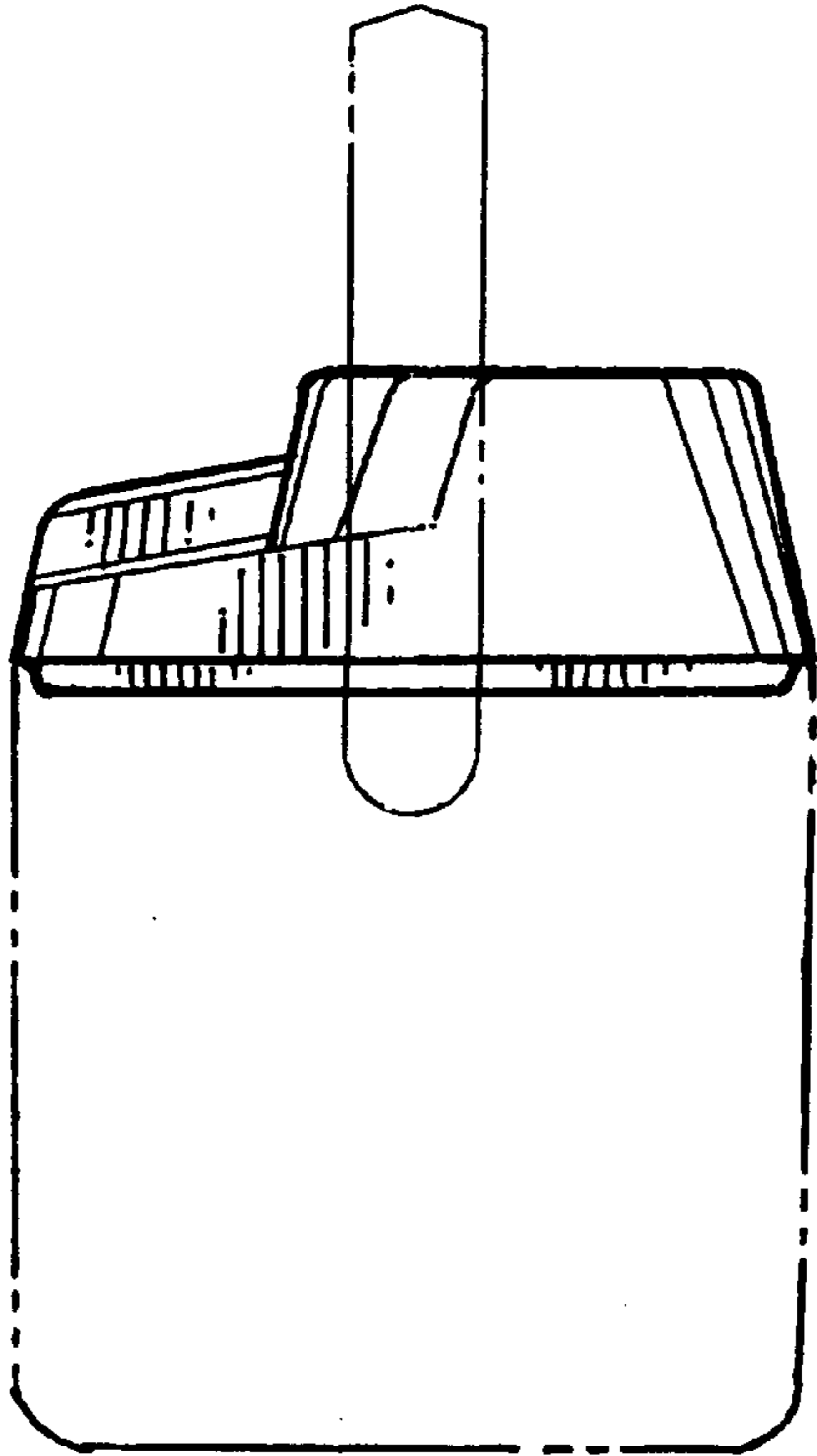


Fig. 6

