



US00D417120S

United States Patent [19]

[11] Patent Number: Des. 417,120

Dutro et al.

[45] Date of Patent: ** Nov. 30, 1999

[54] **OUTDOOR COOKING STOVE**

[75] Inventors: **William A. Dutro**, Cove; **S. Ty Measom**, Logan, both of Utah

[73] Assignee: **Dutro Company**, Emeryville, Calif.

[**] Term: **14 Years**

[21] Appl. No.: **29/089,130**

[22] Filed: **Jun. 9, 1998**

[51] **LOC (6) Cl.** **07-02**

[52] **U.S. Cl.** **D7/332**

[58] **Field of Search** D7/332-337, 402, D7/403, 404, 406, 409; 126/2, 4, 9 R, 25 R, 25 A, 25 AA, 29, 38, 39 R, 40, 41 R, 58-59; 99/481-482, 419, 421 R

D. 328,547	8/1992	Dutro et al.	D7/332
D. 329,162	9/1992	Dutro et al.	D7/332
D. 356,714	3/1995	Dutro et al.	D7/332
D. 357,610	4/1995	Dutro et al.	D7/332
D. 358,057	5/1995	Dutro et al.	D7/332
D. 360,803	8/1995	Dutro et al.	D7/332
D. 364,721	12/1995	Dutro et al.	D7/332
D. 378,646	4/1997	Dutro et al.	D7/339
5,906,196	5/1999	Measom	126/9 R

Primary Examiner—Ruth McInroy
Attorney, Agent, or Firm—Harris Zimmerman

[57] CLAIM

The ornamental design for a outdoor cooking stove, as shown and described.

DESCRIPTION

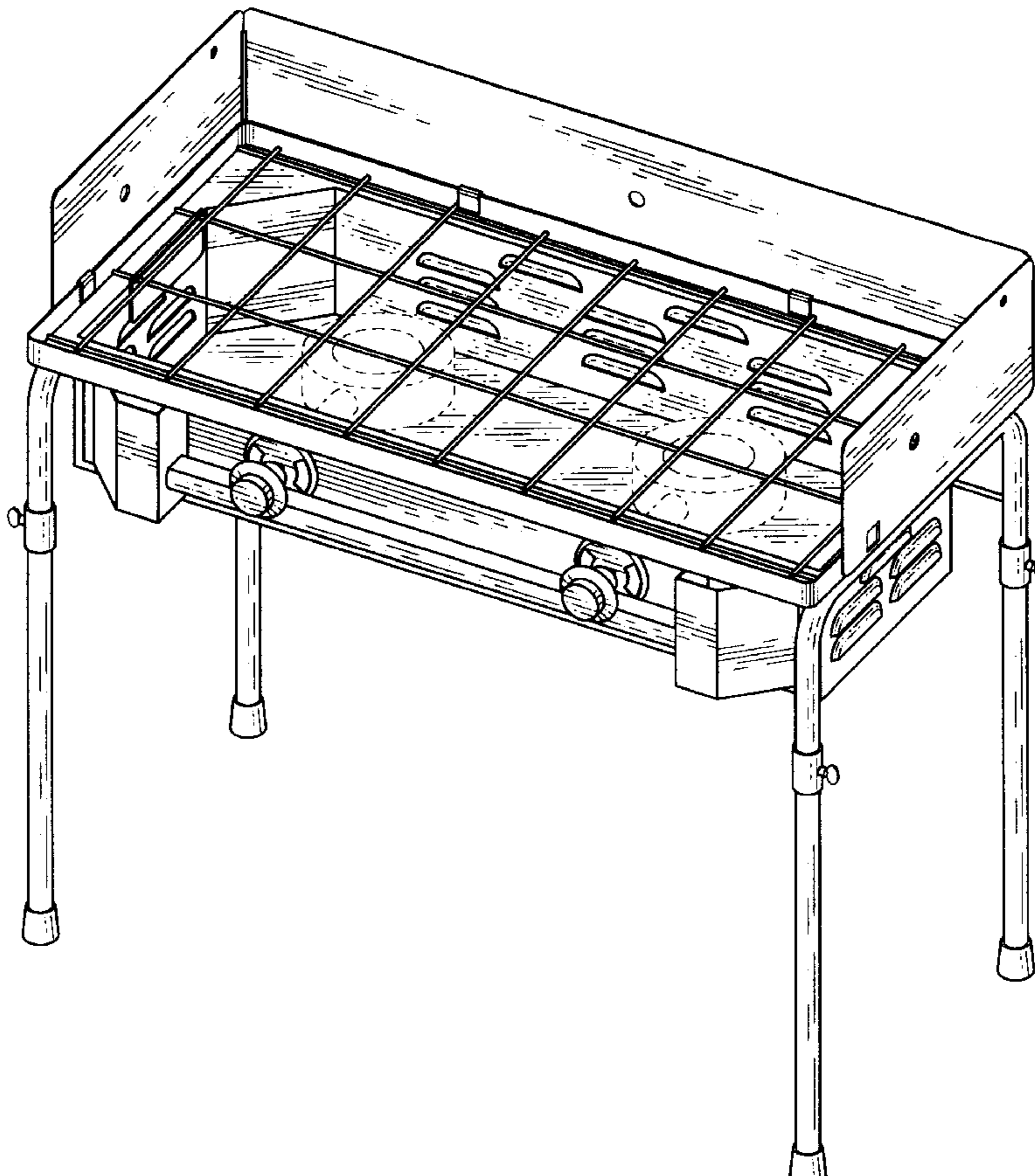
FIG. 1 is a front perspective view of an outdoor cooking stove showing our new design;
FIG. 2 is an end view, the other end view being a mirror image;
FIG. 3 is a top plan view;
FIG. 4 is a front view;
FIG. 5 is a bottom view; and,
FIG. 6 is a rear view.
The broken lines in FIGS. 1 and 3 represent burners which are not part of the claimed design.

[56] References Cited

U.S. PATENT DOCUMENTS

D. 226,872	5/1973	Benson	D7/337
D. 227,850	7/1973	Benson	D7/337
D. 231,183	4/1974	Avant et al.	D7/337
D. 245,220	8/1977	Chan	D7/337
D. 251,893	5/1979	Chan	D7/337
D. 251,894	5/1979	Chan	D7/337
D. 276,303	11/1984	Chan	D7/337
D. 292,862	11/1987	Flicker et al.	D7/332
D. 295,818	5/1988	Chan	D7/332

1 Claim, 3 Drawing Sheets



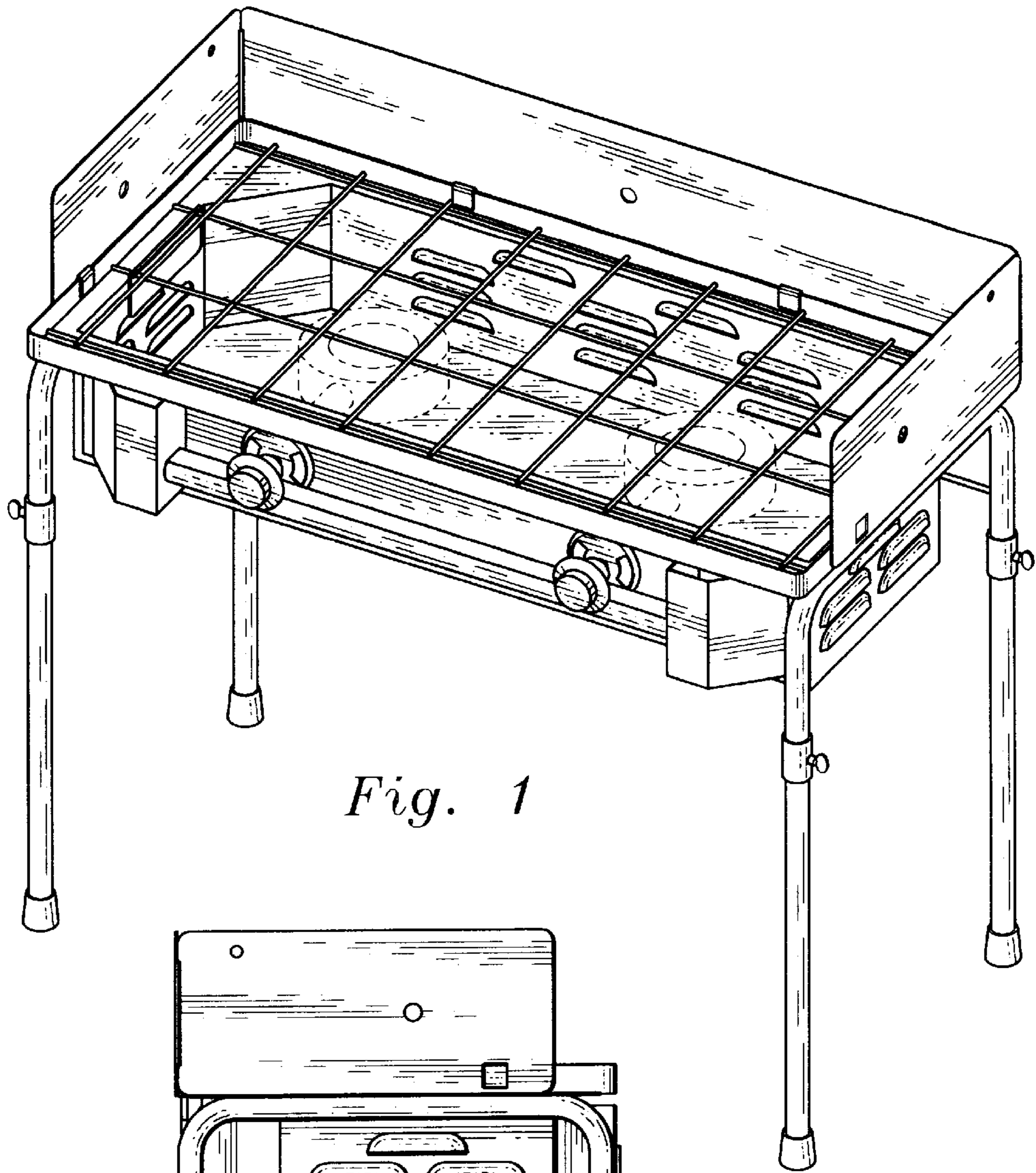


Fig. 1

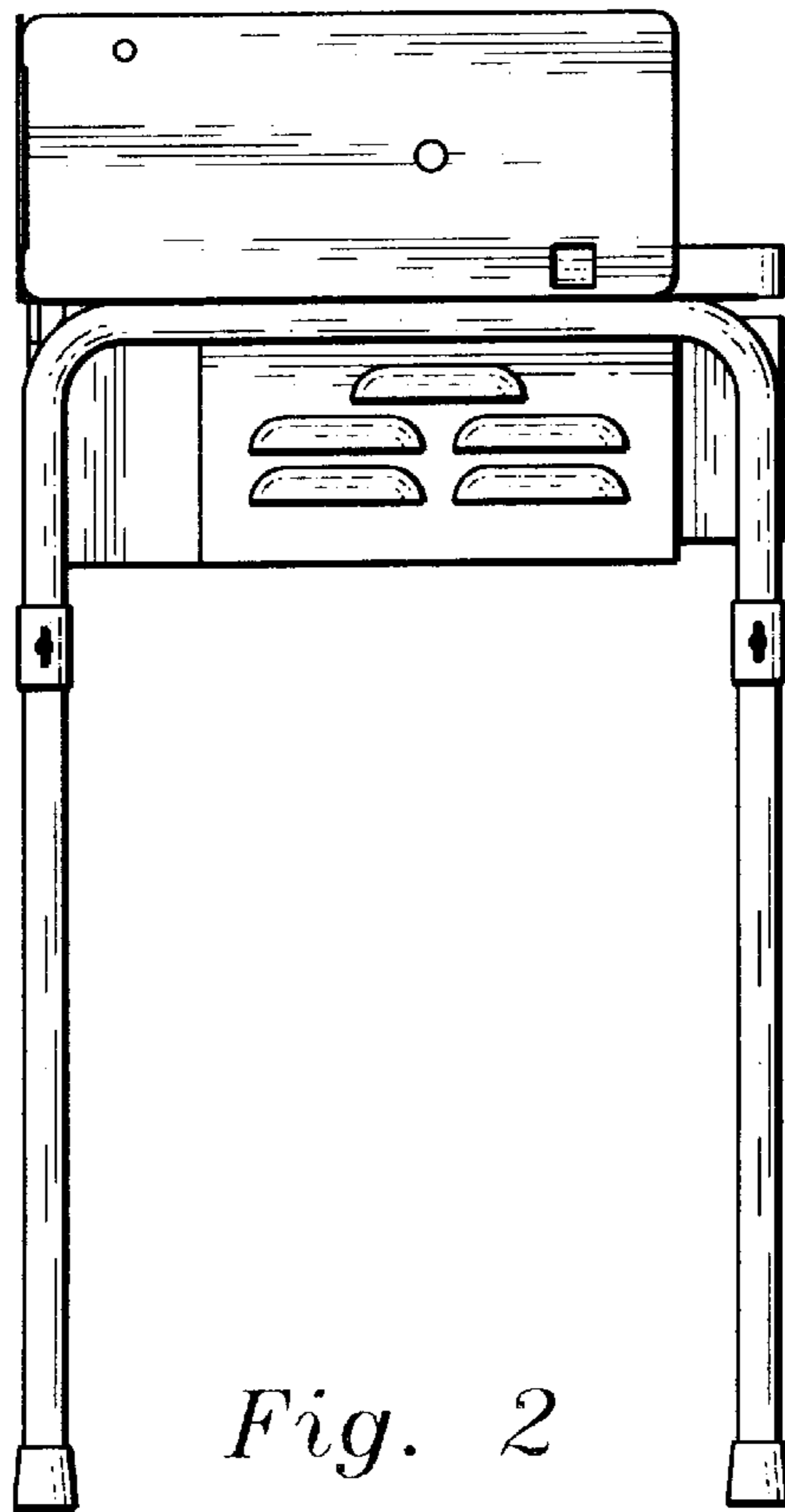


Fig. 2

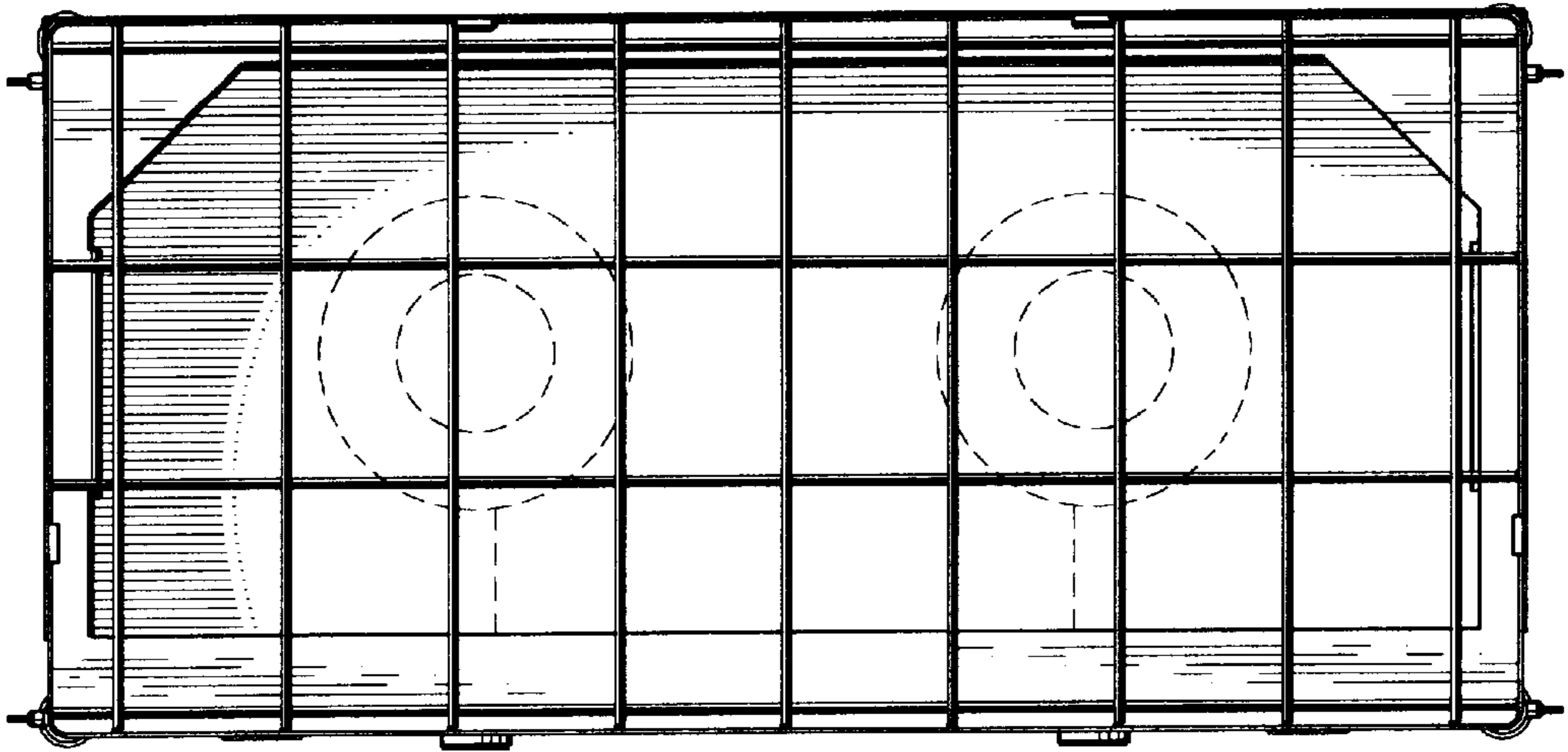


Fig. 3

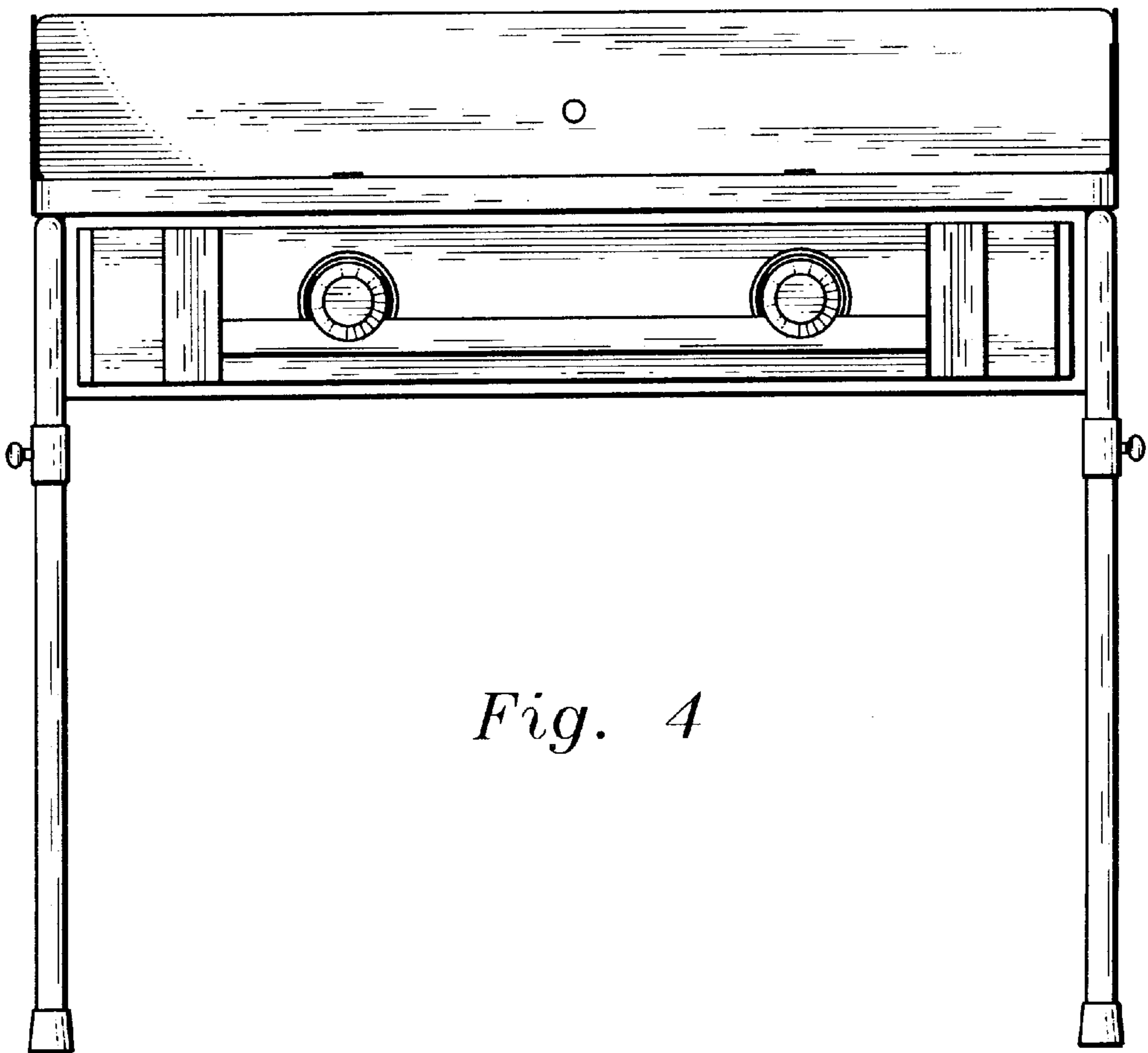


Fig. 4

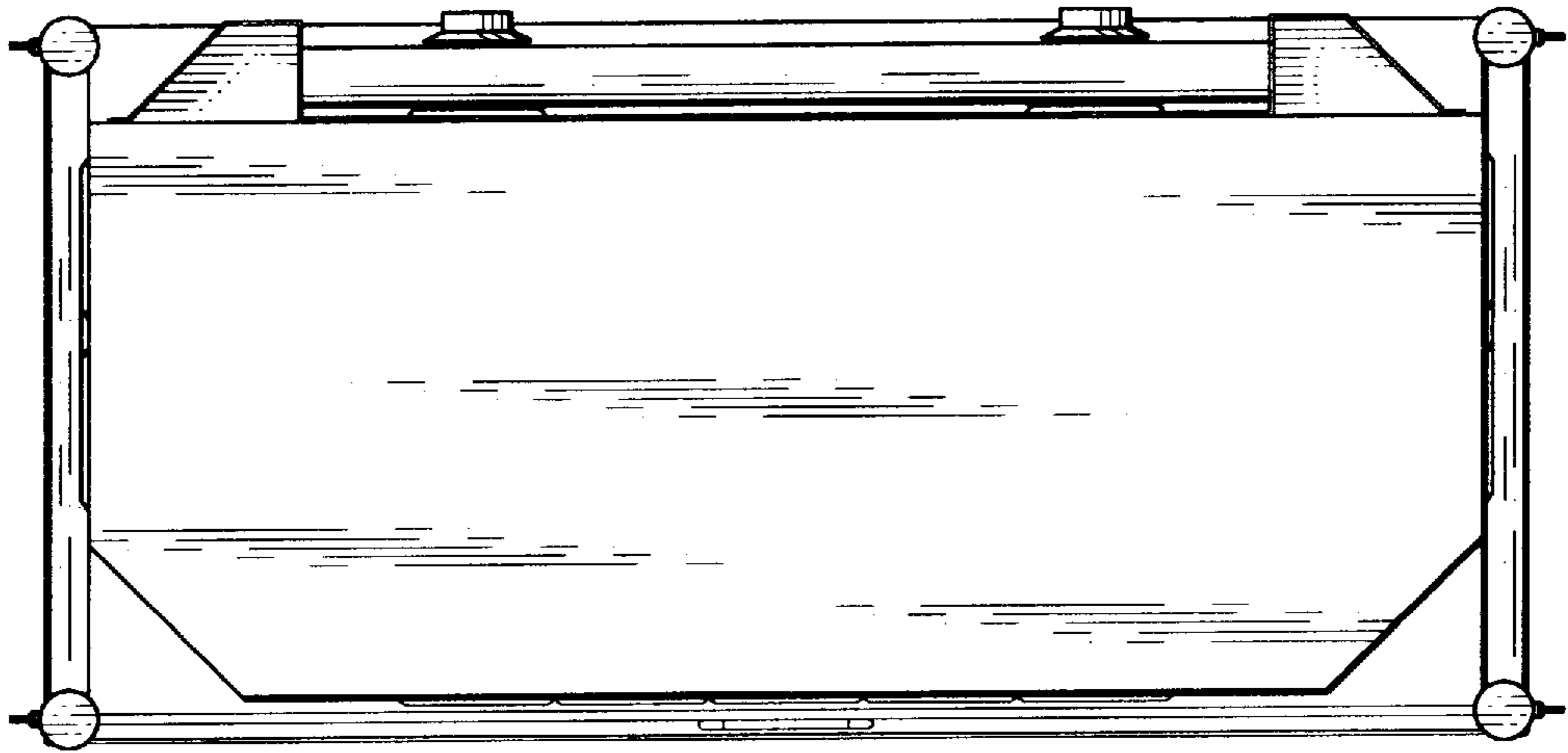


Fig. 5

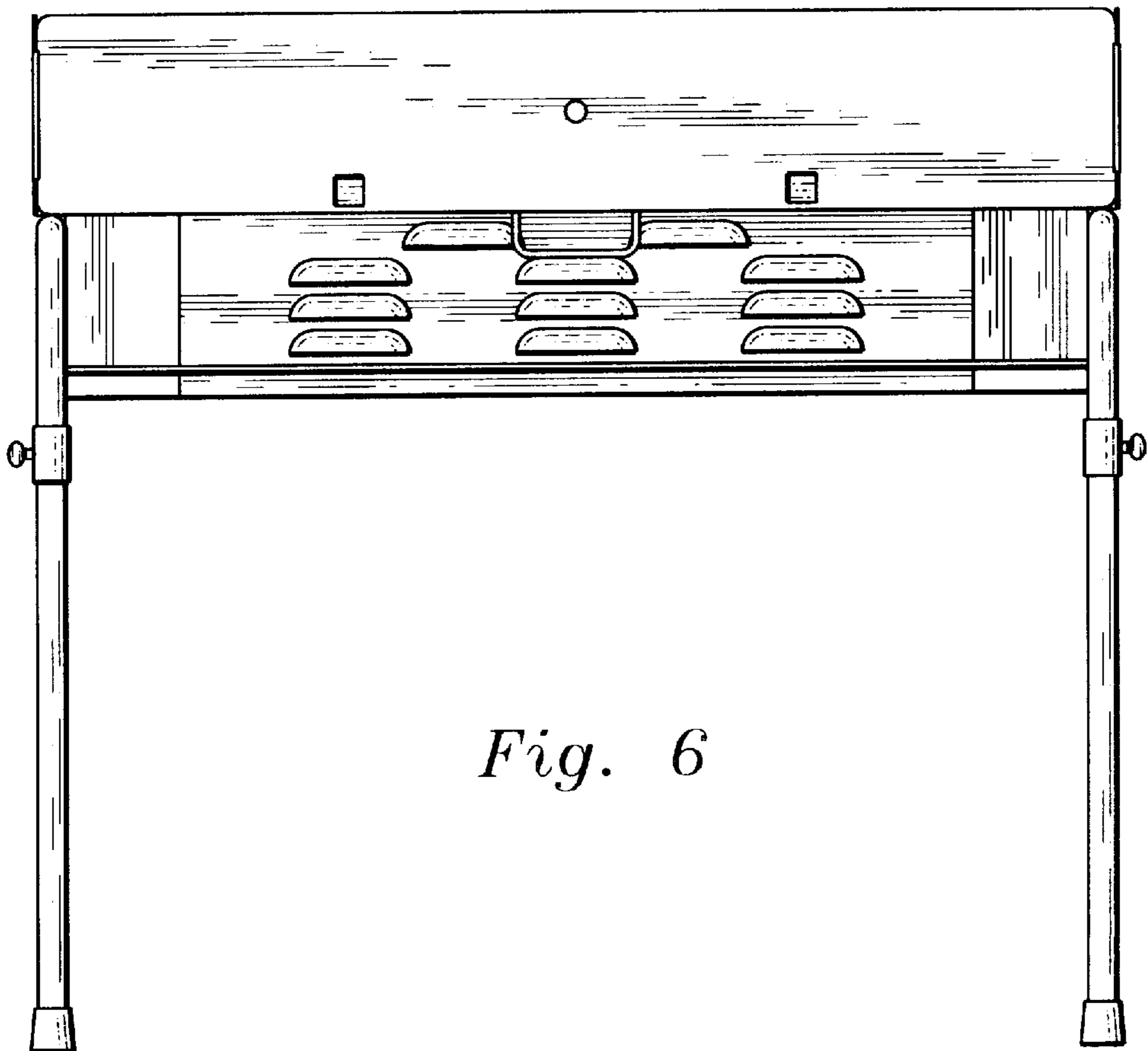


Fig. 6