



US00D417119S

United States Patent [19]

Alonge et al.

[11] Patent Number: **Des. 417,119**

[45] Date of Patent: **** Nov. 30, 1999**

[54] **TWO-SLICE TOASTER**

[75] Inventors: **Barbara Alonge**, North Merrick, N.Y.;
David Sabin, Lake Forest, Ill.

[73] Assignee: **Salton, Inc.**, Mt. Prospect, Ill.

[**] Term: **14 Years**

[21] Appl. No.: **29/093,345**

[22] Filed: **Sep. 9, 1998**

[51] **LOC (6) Cl.** **07-02**

[52] **U.S. Cl.** **D7/330**

[58] **Field of Search** D7/323, 328-330,
D7/390; 99/327, 328, 372, 385, 389, 341

[56] **References Cited**

U.S. PATENT DOCUMENTS

D. 338,131 8/1993 Stutzer D7/330

D. 345,074 3/1994 Myers et al. D7/330
D. 367,990 3/1996 Roze D7/330
D. 375,017 10/1996 Barrault D7/330

Primary Examiner—Caron D. Veynar
Attorney, Agent, or Firm—Jerry A. Schulman

[57] **CLAIM**

The ornamental design for a two-slice toaster, as shown and described.

DESCRIPTION

FIG. 1 is a front elevational view of the present invention; FIG. 2 is a right lateral elevational view thereof; FIG. 3 is a left lateral elevational view thereof; FIG. 4 is a top plan view thereof; FIG. 5 is a bottom plan view thereof; FIG. 6 is a rear elevational view thereof; and, FIG. 7 is a perspective view thereof.

1 Claim, 3 Drawing Sheets

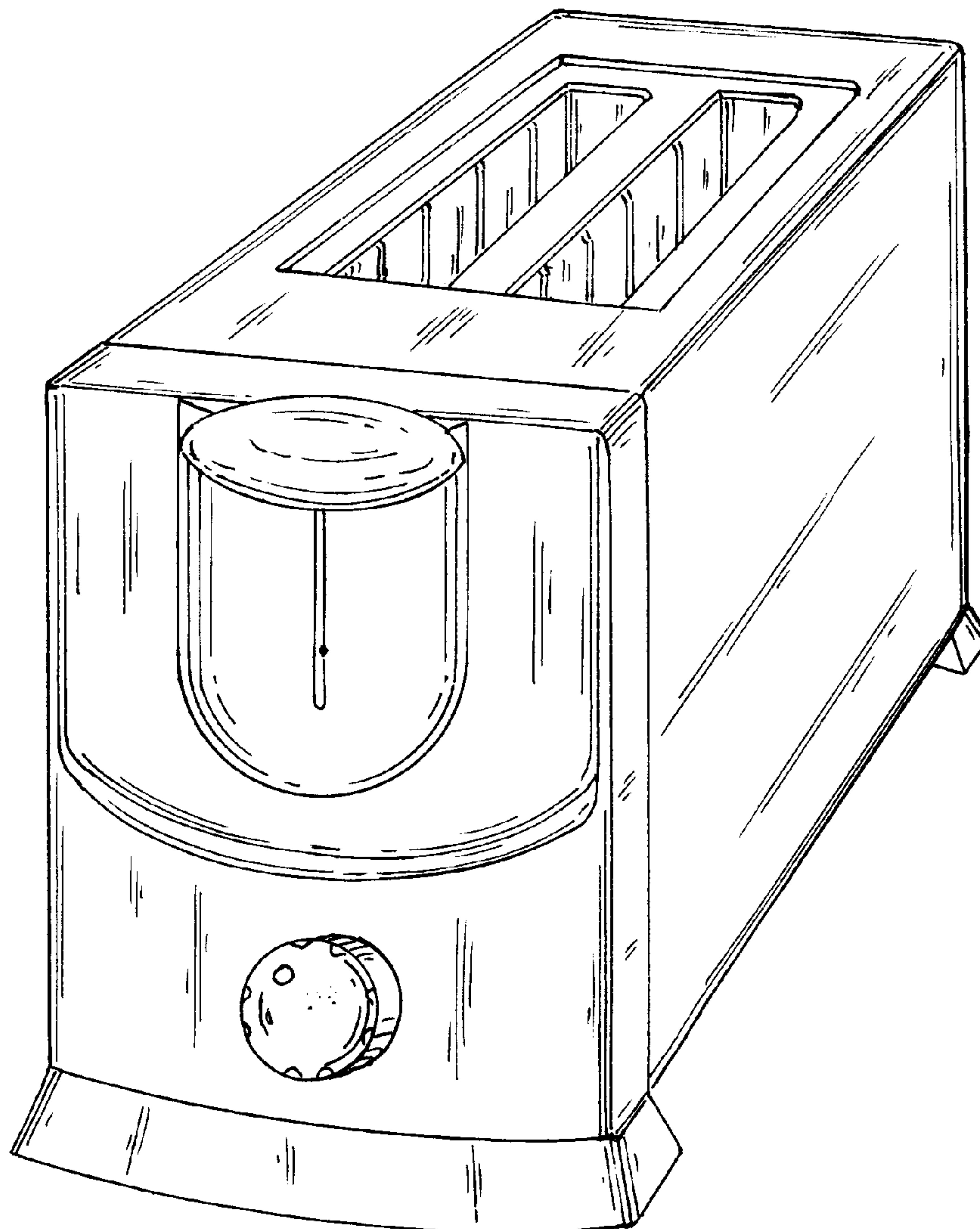


FIG.4

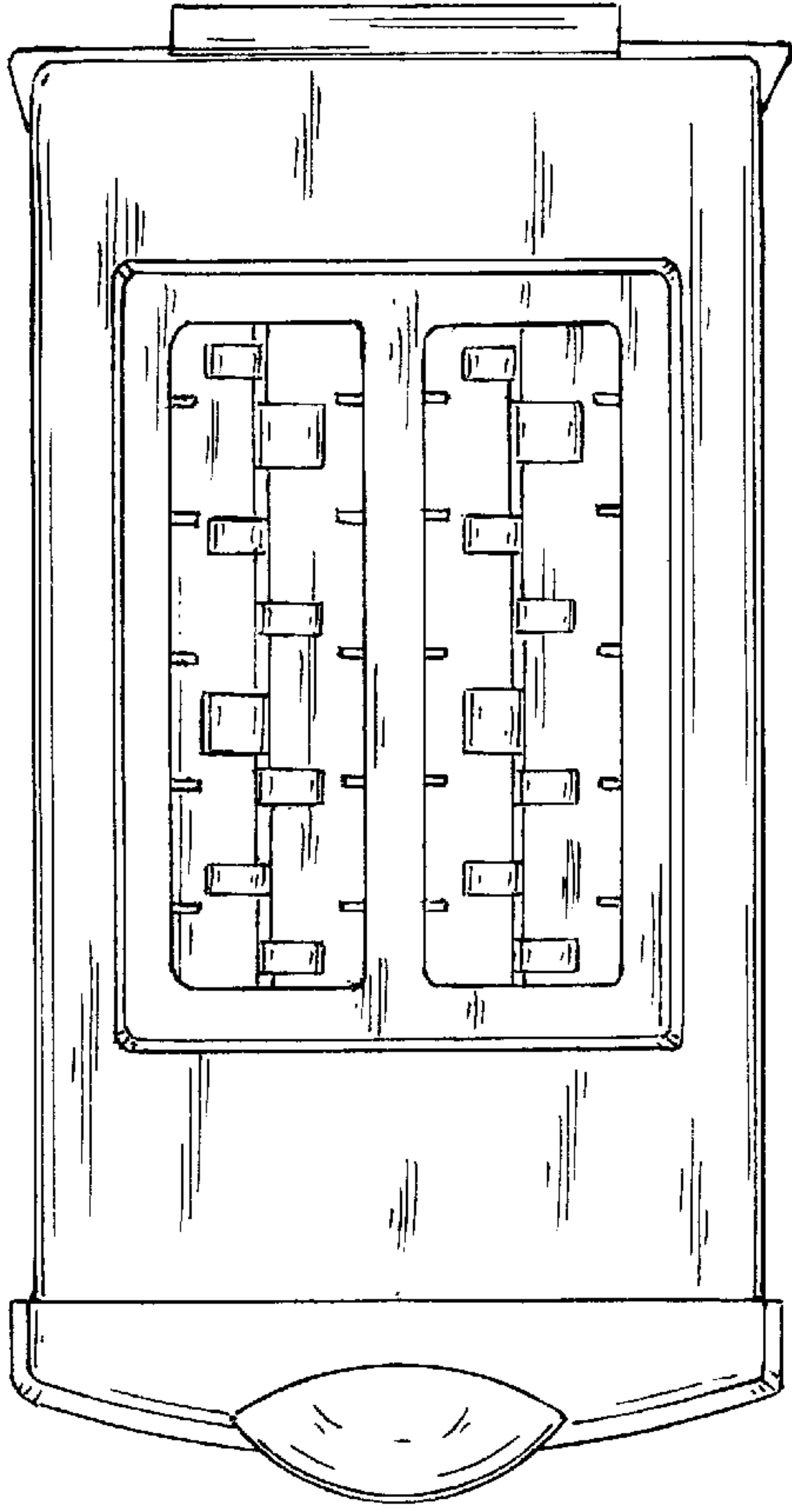
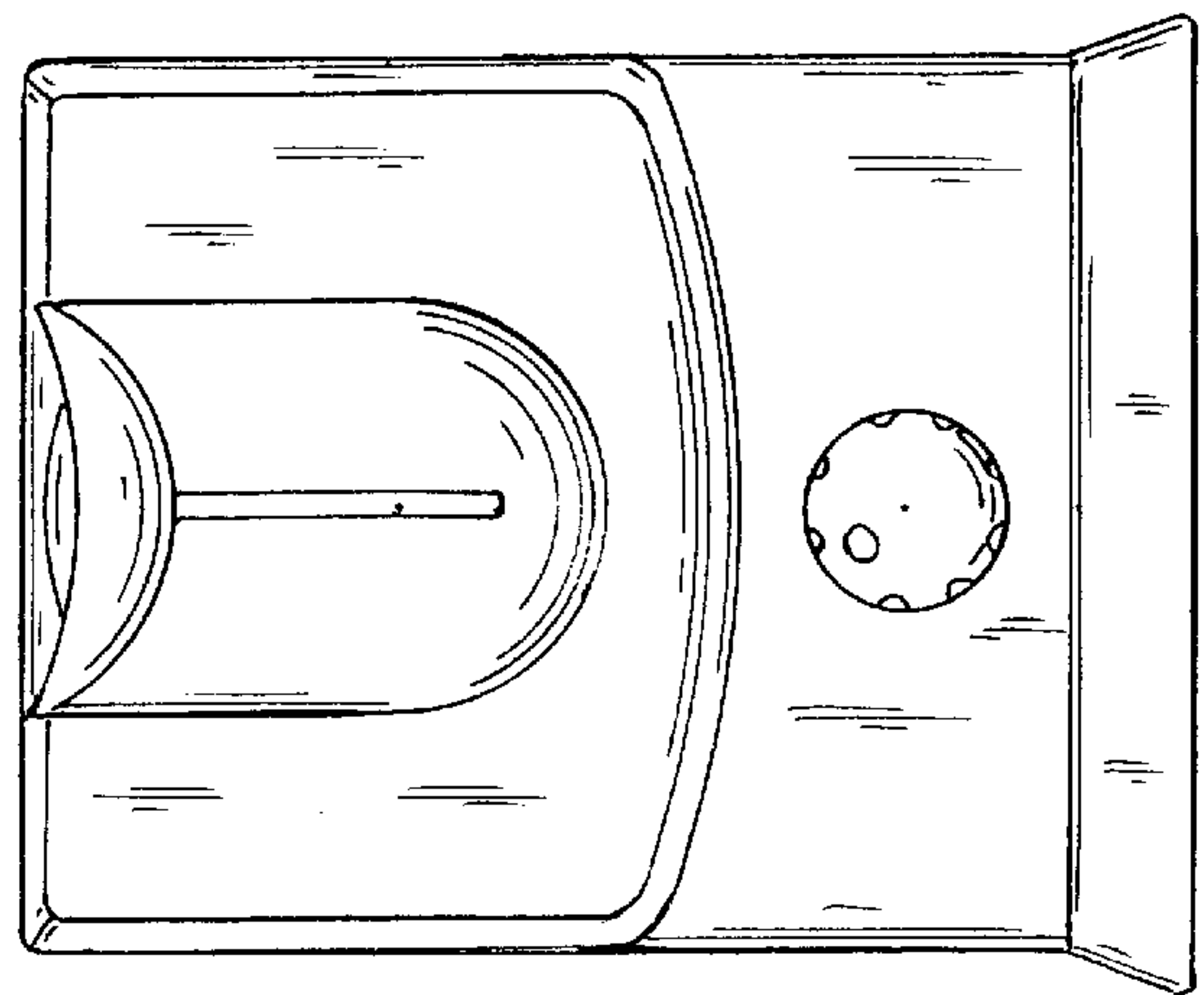


FIG.2



FIG.1



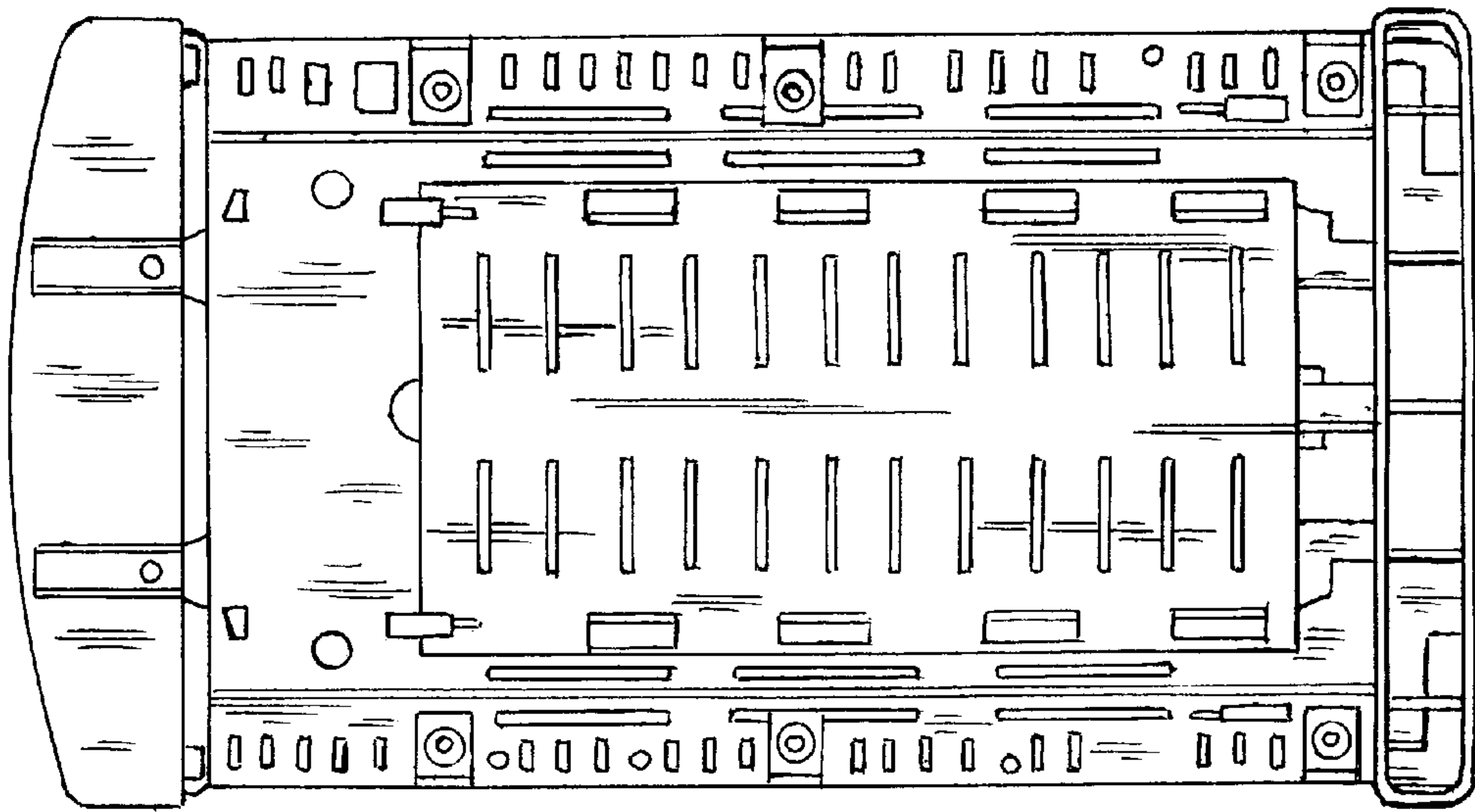


FIG. 5

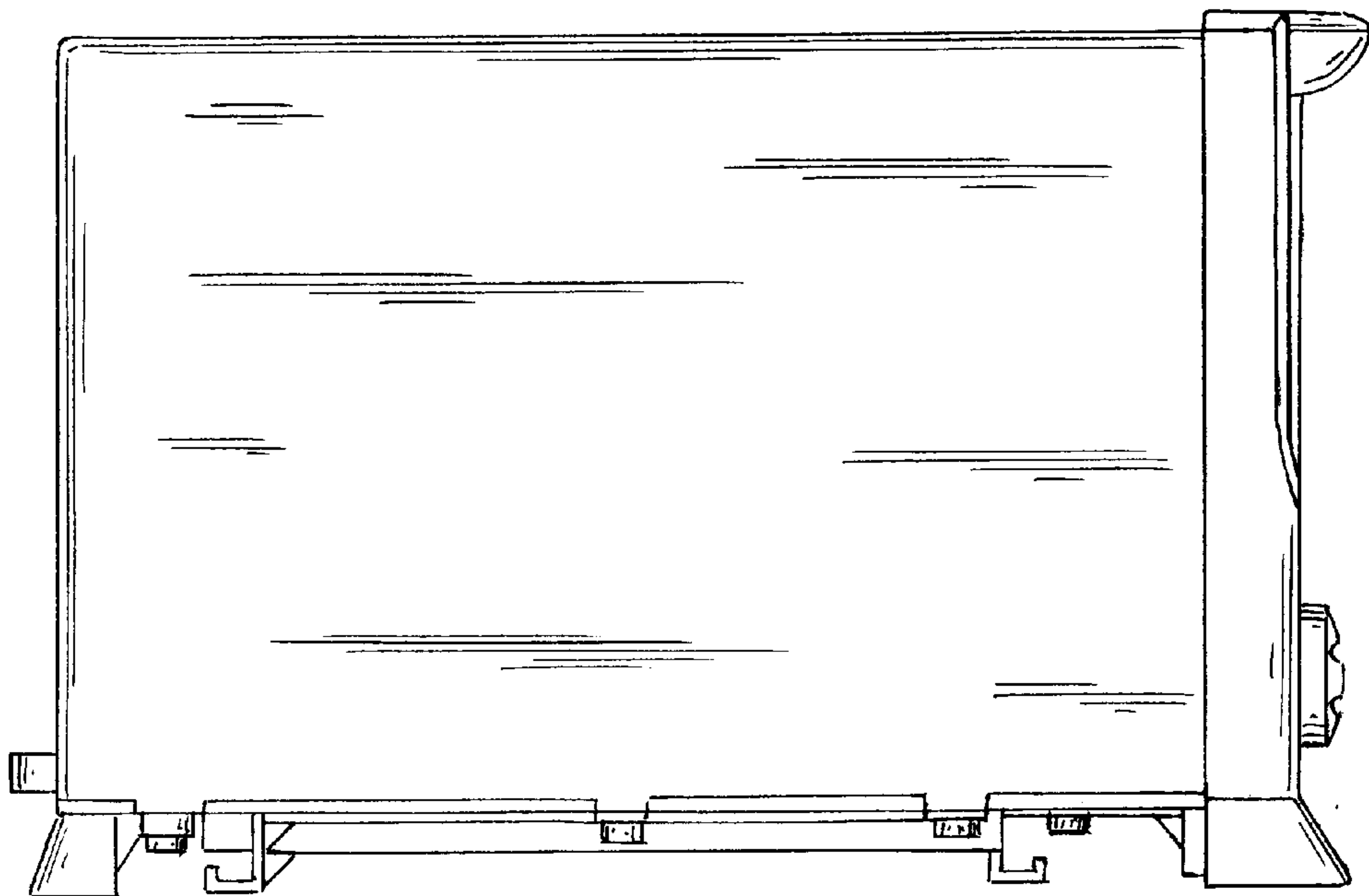


FIG. 3

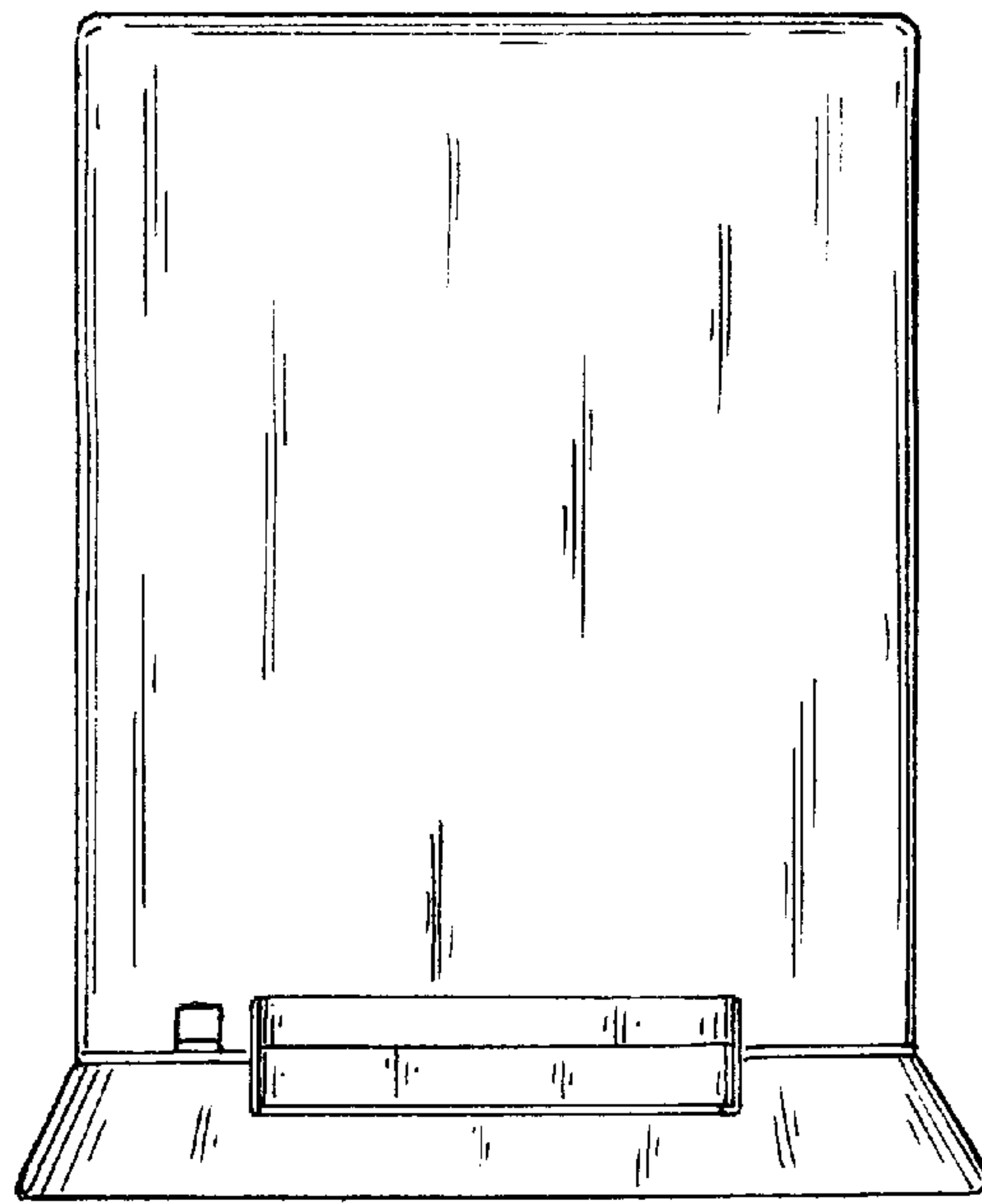


FIG. 6

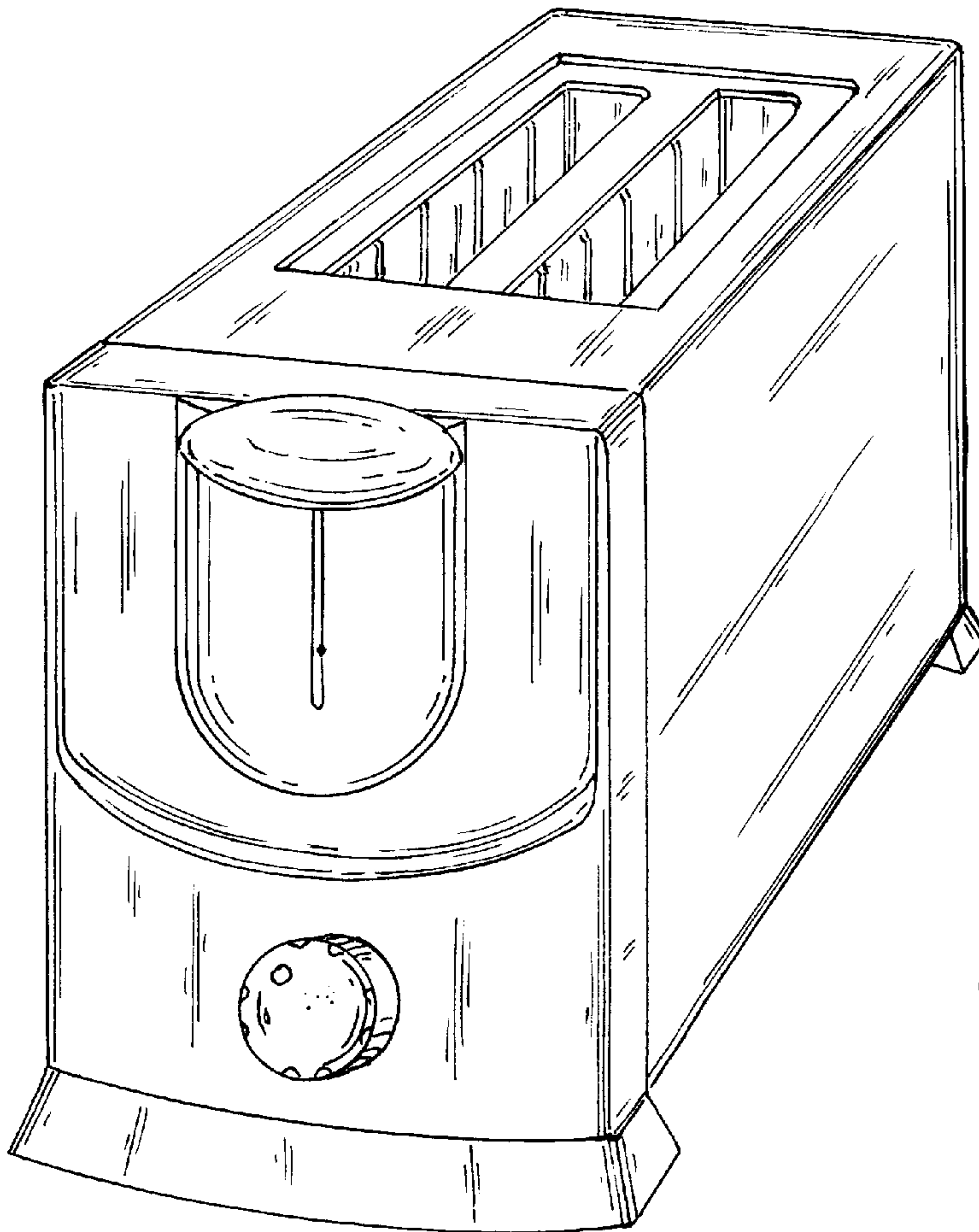


FIG. 7