



US00D417118S

United States Patent [19] Pomeroy

[11] Patent Number: Des. 417,118

[45] Date of Patent: ** Nov. 30, 1999

[54] AUTOMATIC ESPRESSO MACHINE

[75] Inventor: Charles J. Pomeroy, Kirkland, Wash.

[73] Assignee: Acorto, Inc., Bellevue, Wash.

[**] Term: 14 Years

[21] Appl. No.: 29/095,815

[22] Filed: Oct. 30, 1998

[51] LOC (6) Cl. 07-01

[52] U.S. Cl. D7/306; D7/309; D7/310;
D7/311

[58] Field of Search D7/309, 311, 308,
D7/310, 313, 312, 322, 315, 300, 305,
307, 306; 222/127.2; 999/295, 279

[56] **References Cited**

U.S. PATENT DOCUMENTS

D. 298,505	11/1988	Frech	D7/308
D. 298,723	11/1988	Lambert	D7/309
D. 309,842	8/1990	Frech	D7/308
D. 332,199	1/1993	Pomeroy	D7/309

D. 334,863	4/1993	Phillips et al.	D7/308
D. 345,279	3/1994	Sieger	D7/309
D. 360,331	7/1995	McNeill	D7/305
D. 365,490	12/1995	Pomeroy	D7/309
D. 400,046	10/1998	Seiffert	D7/309

Primary Examiner—M. N. Pandozzi
Attorney, Agent, or Firm—Christensen, O'Connor, Johnson
& Kindness PLLC

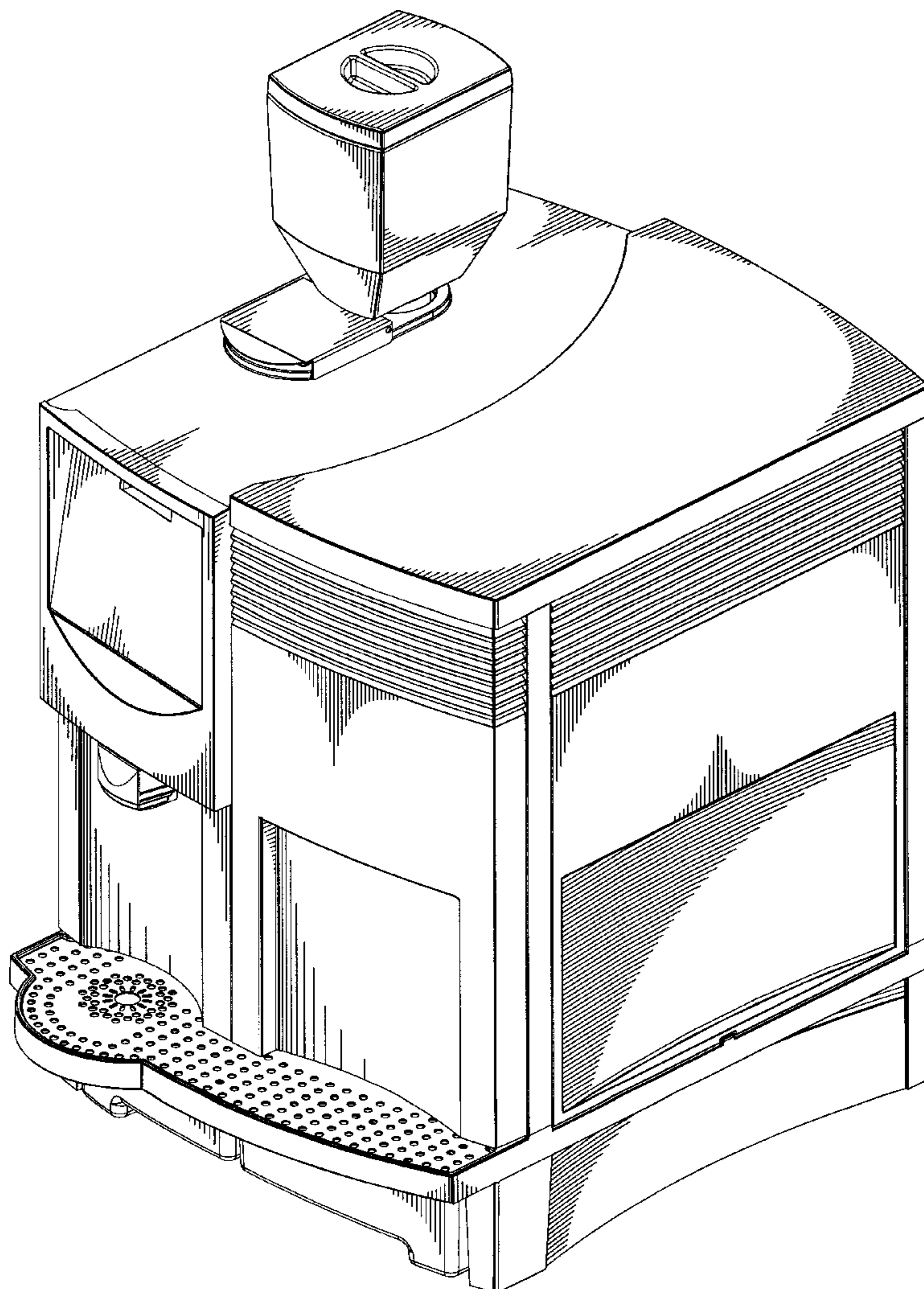
[57] **CLAIM**

I claim the ornamental design for an automatic espresso machine, as shown.

DESCRIPTION

FIG. 1 is a perspective view of an automatic espresso machine showing my new design; FIG. 2 is a front elevational view thereof; FIG. 3 is a right side elevational view thereof; FIG. 4 is a left side elevational view thereof; FIG. 5 is a top, plan view thereof; FIG. 6 is a rear elevational view thereof; and, FIG. 7 is a bottom view thereof.

1 Claim, 7 Drawing Sheets



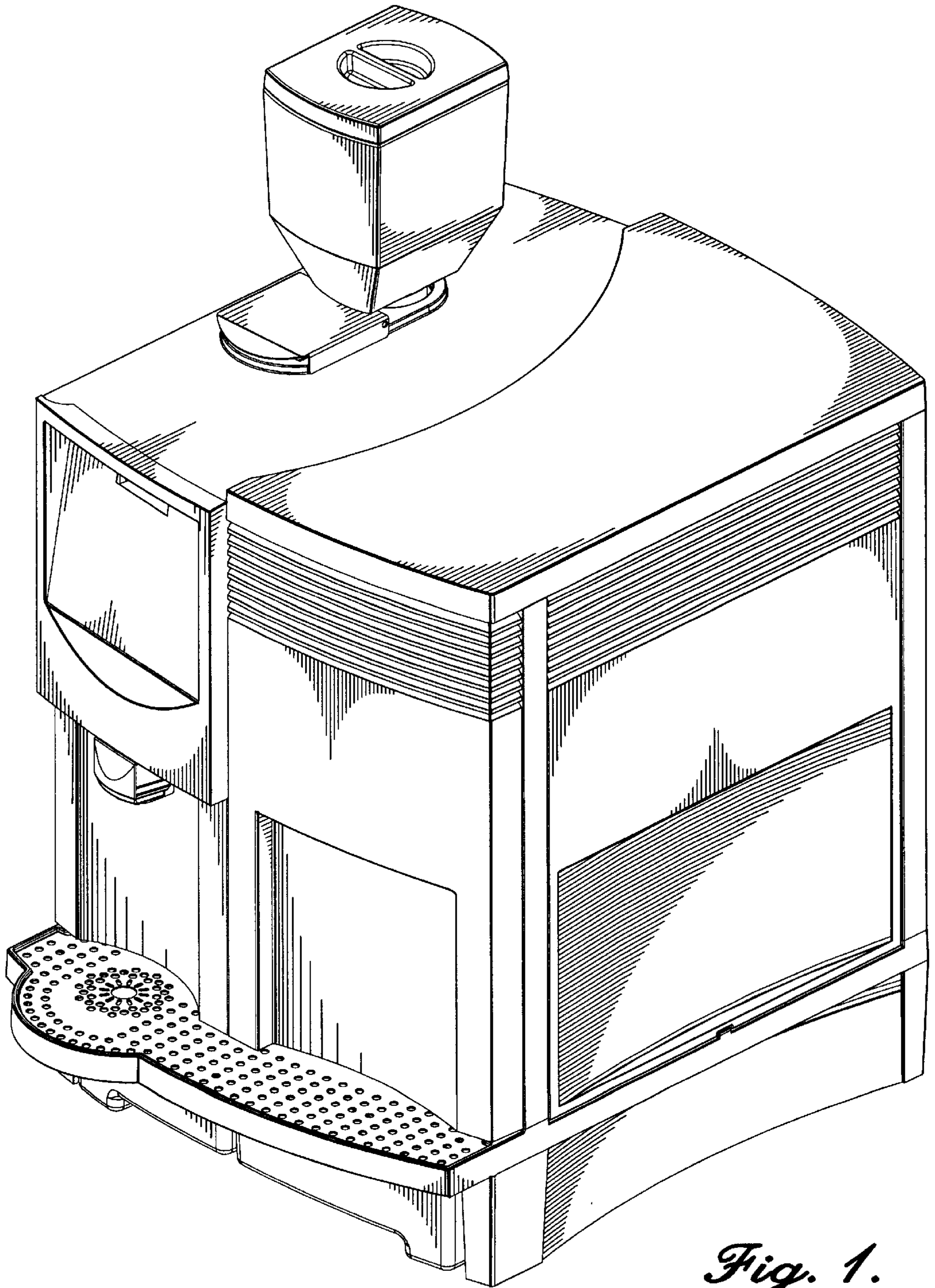


Fig. 1.

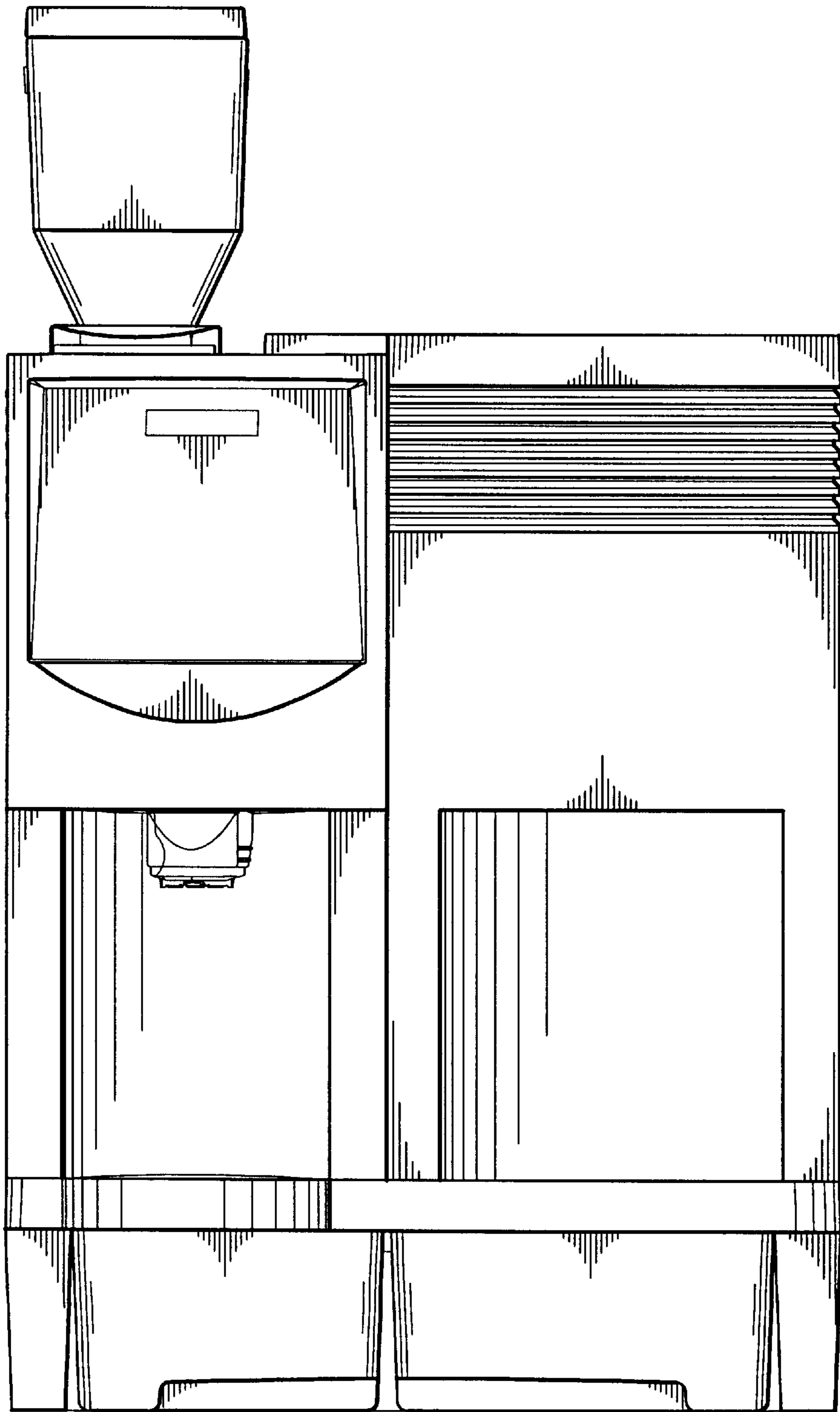


Fig. 2.

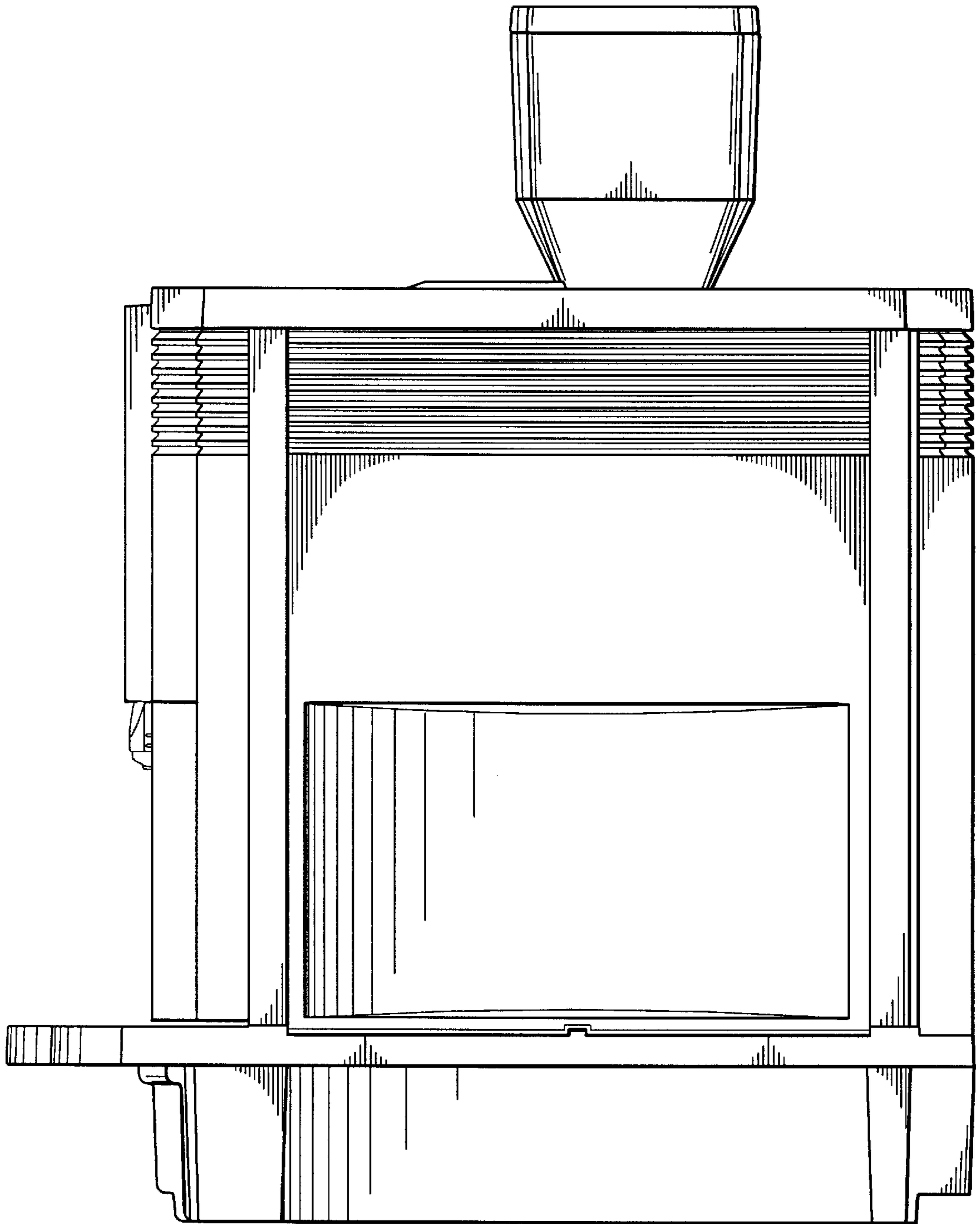


Fig. 3.

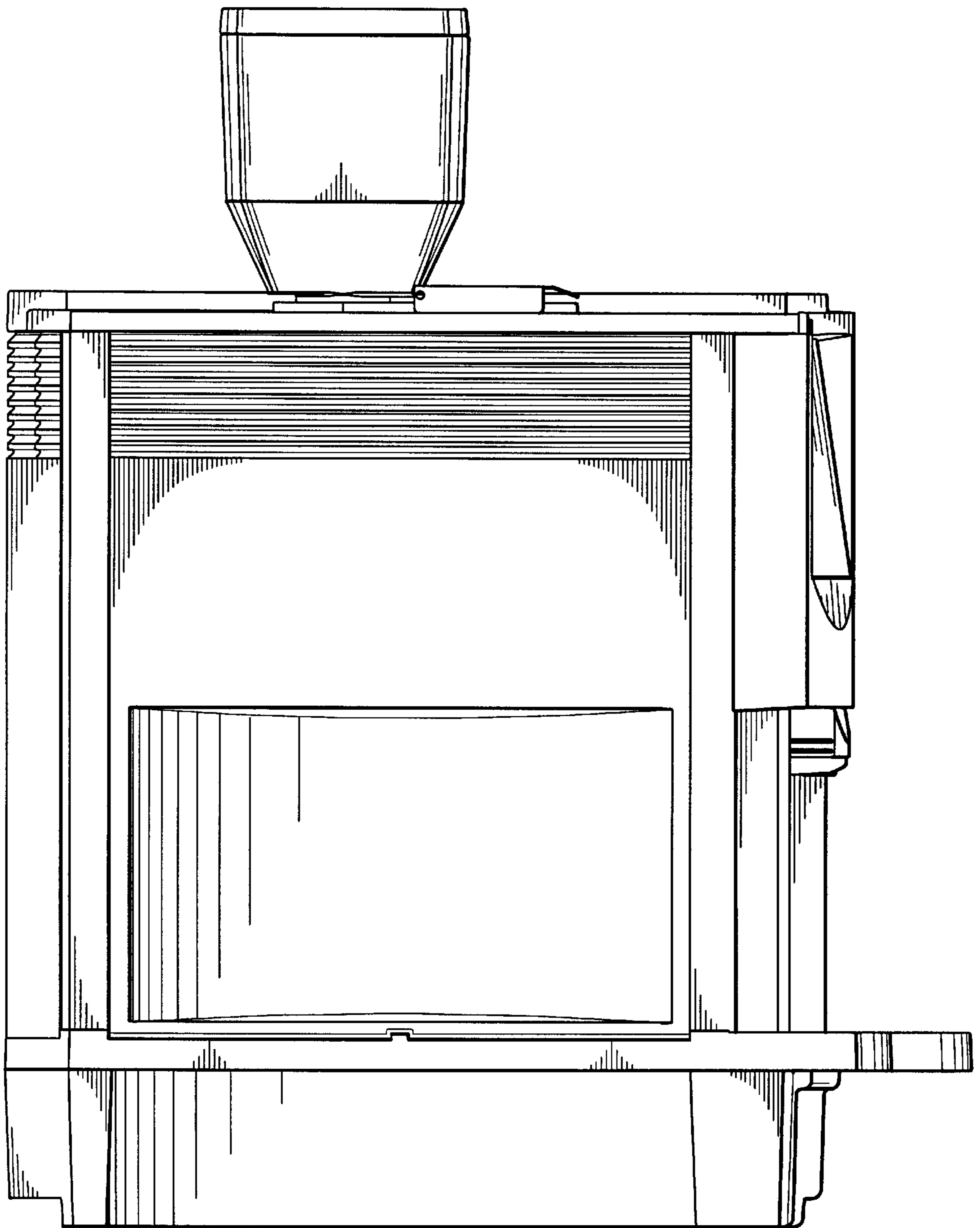


Fig. 4.

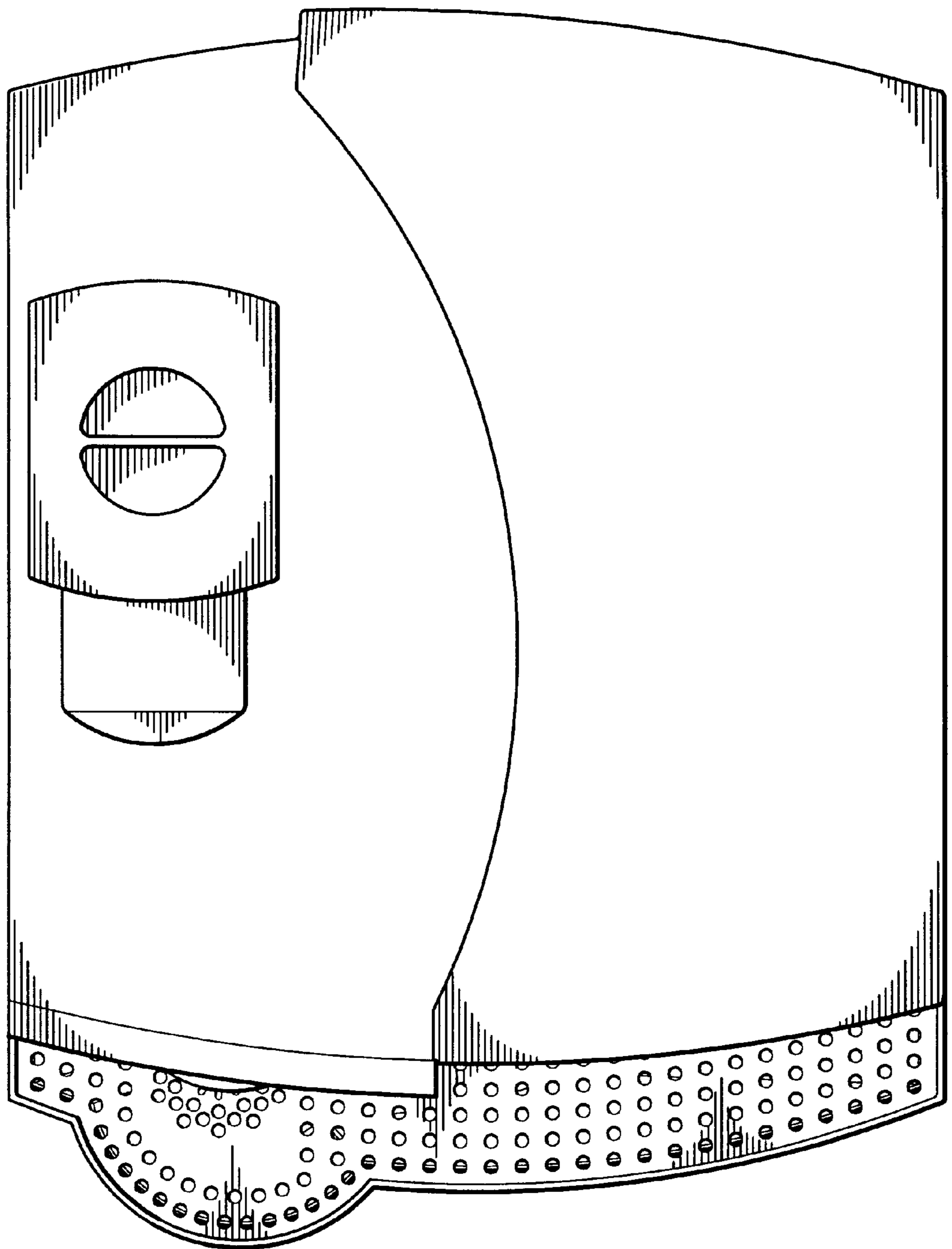


Fig. 5.

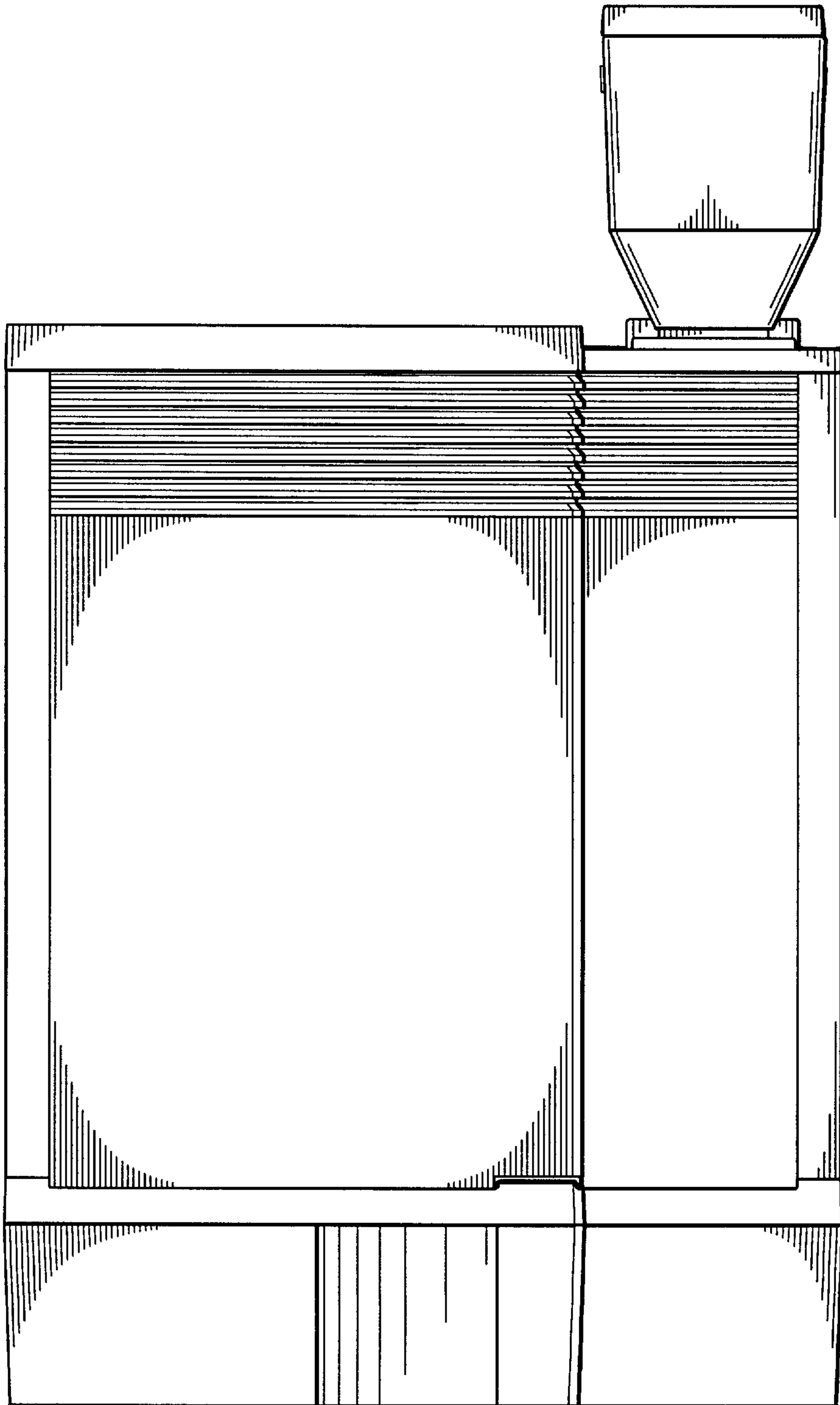


Fig. 6.

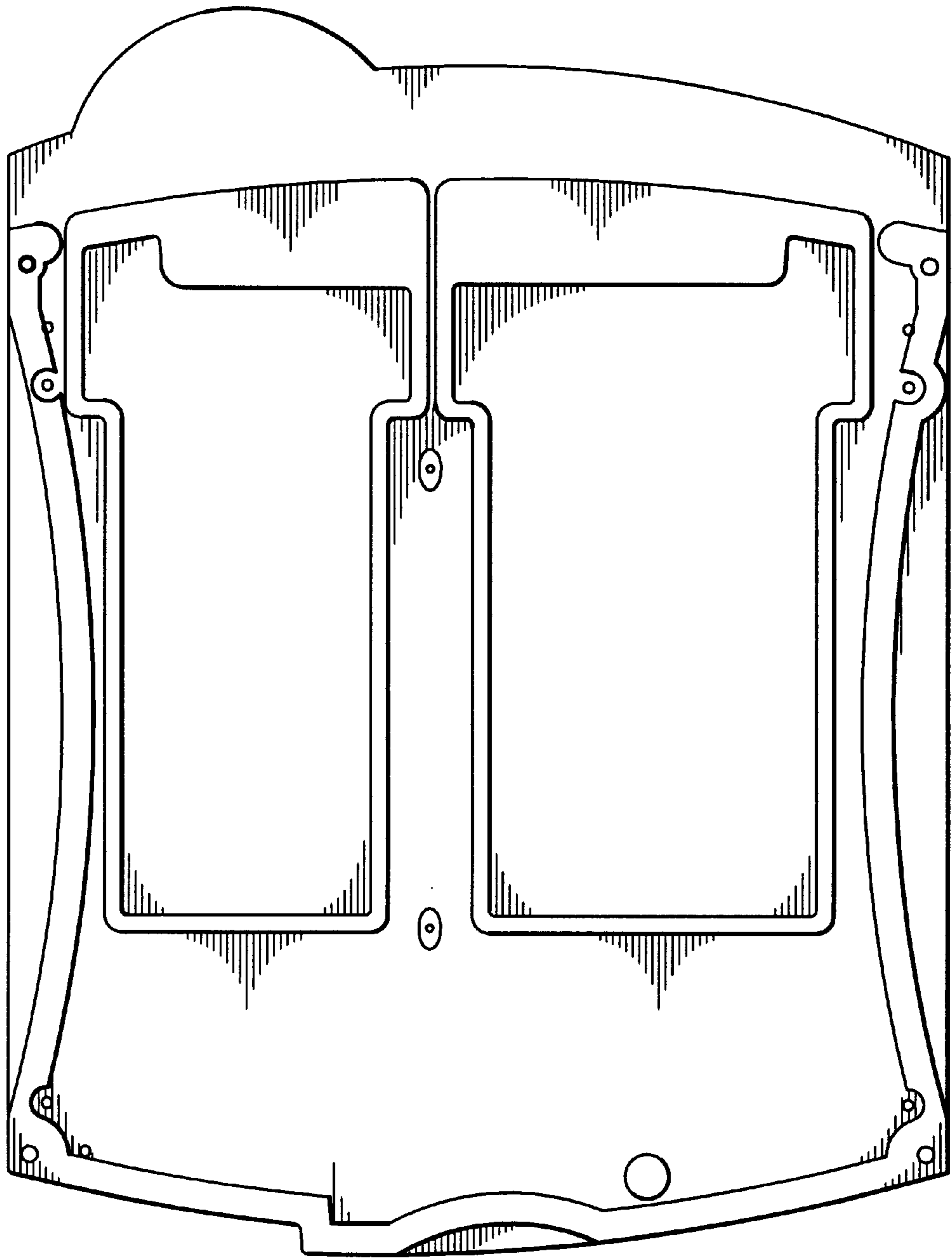


Fig. 7.