



US00D417115S

United States Patent [19]
Creel

[11] **Patent Number: Des. 417,115**

[45] **Date of Patent: ** Nov. 30, 1999**

[54] **HAIR ACCESSORY DISPLAY**

DESCRIPTION

[75] Inventor: **John A. Creel**, Peach Tree City, Ga.
[73] Assignee: **Goody Products, Inc.**, Peach Tree City, Ga.
[**] Term: **14 Years**
[21] Appl. No.: **29/080,894**
[22] Filed: **Dec. 17, 1997**
[51] **LOC (6) Cl.** **08-08**
[52] **U.S. Cl.** **D6/567**
[58] **Field of Search** D6/512, 553, 567,
D6/323; D8/367; 211/87.01, 105.1, 106;
248/301, 304

[56] **References Cited**

U.S. PATENT DOCUMENTS

D. 281,838	12/1985	Thompson	D8/367	X
D. 326,021	5/1992	Evenson	D8/367	X
D. 395,957	7/1998	Gunthert	D6/570	
5,813,549	9/1998	Sheehan et al.	211/87.01	

Primary Examiner—Brian N. Vinson
Attorney, Agent, or Firm—Foley & Lardner

[57] **CLAIM**

The ornamental design for a hair accessory display, as shown.

FIG. 1 is a top, front and left side perspective view of a hair accessory display showing my new design, the broken-line disclosure of a hair accessory being for illustrative purposes only and forming no part of the claimed design;

FIG. 2 is a reduced front elevational view thereof;

FIG. 3 is a reduced left side elevational view thereof, the right side being a mirror image of that shown;

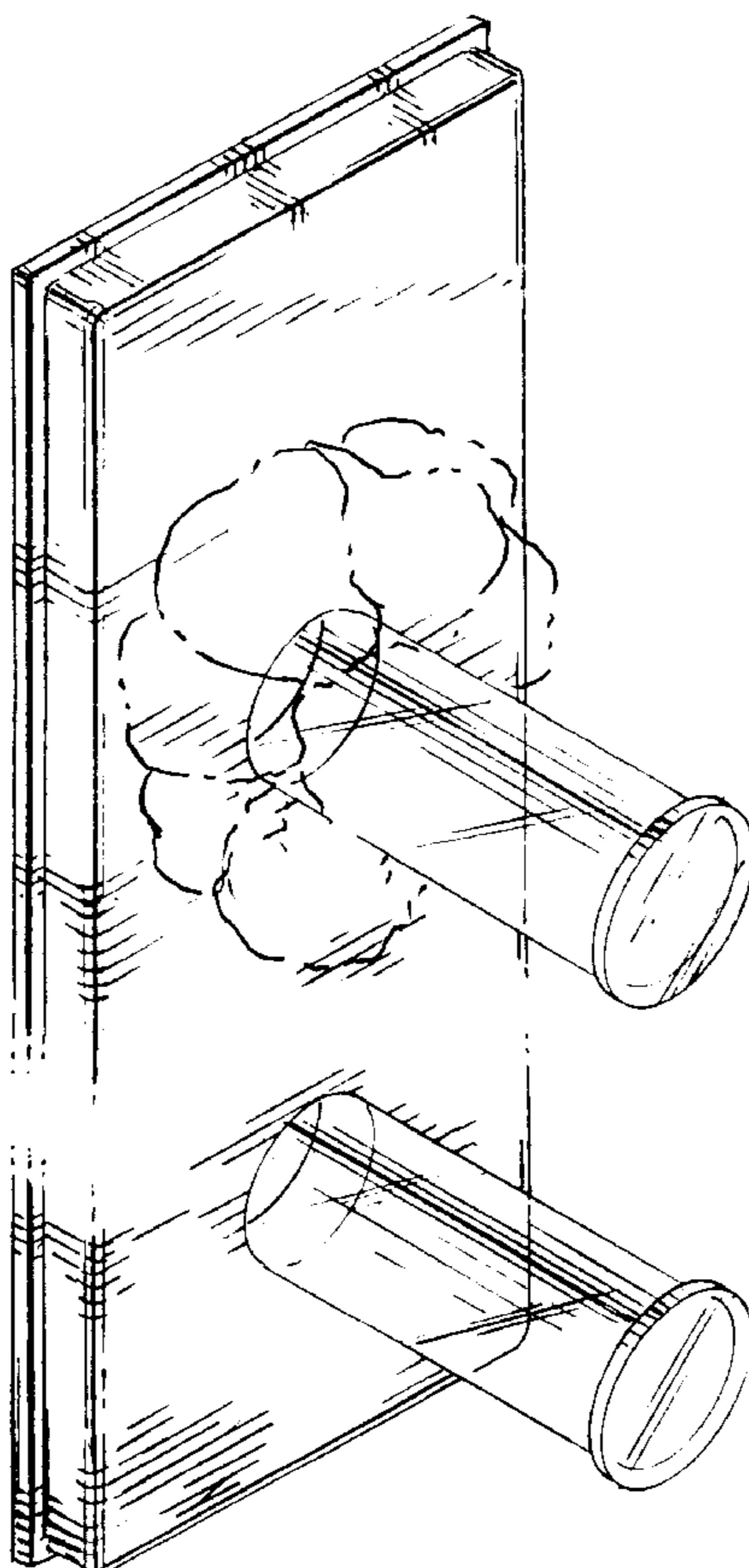
FIG. 4 is a reduced top plan view thereof, the bottom being a mirror image of that shown;

FIG. 5 is a fragmentary top, front and left side perspective view of a second embodiment thereof, the only difference residing in the configuration of the support pegs, with the bottom being shown broken-away for convenience of illustration;

FIG. 6 is a fragmentary top, front, and left side perspective view of a third embodiment thereof, the only difference residing in the configuration of the support pegs, with the bottom being shown broken-away for convenience of illustration; and,

FIG. 7 is a fragmentary top, front, and left side perspective view of a fourth embodiment thereof, the only difference residing in the configuration of the support pegs, with the bottom being shown broken-away for convenience of illustration.

1 Claim, 2 Drawing Sheets



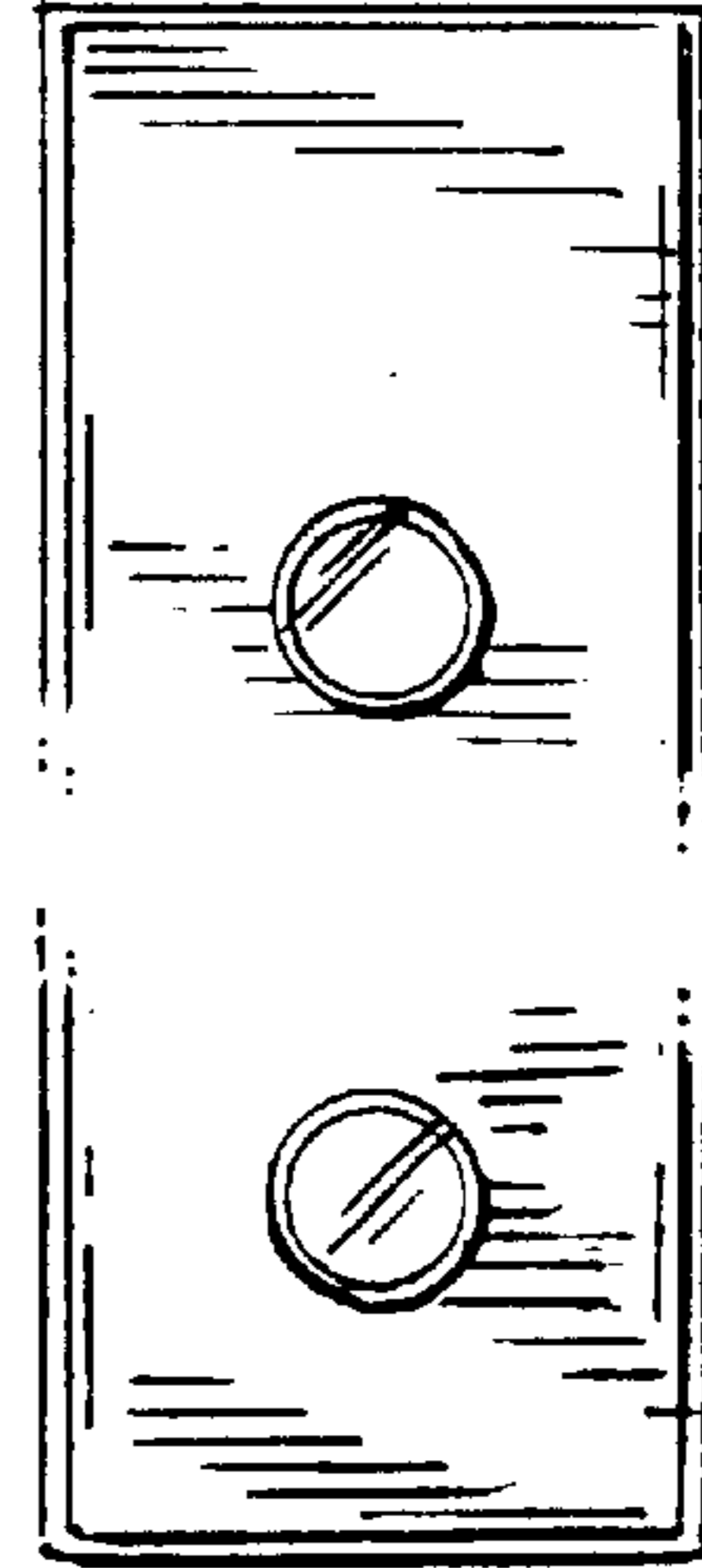
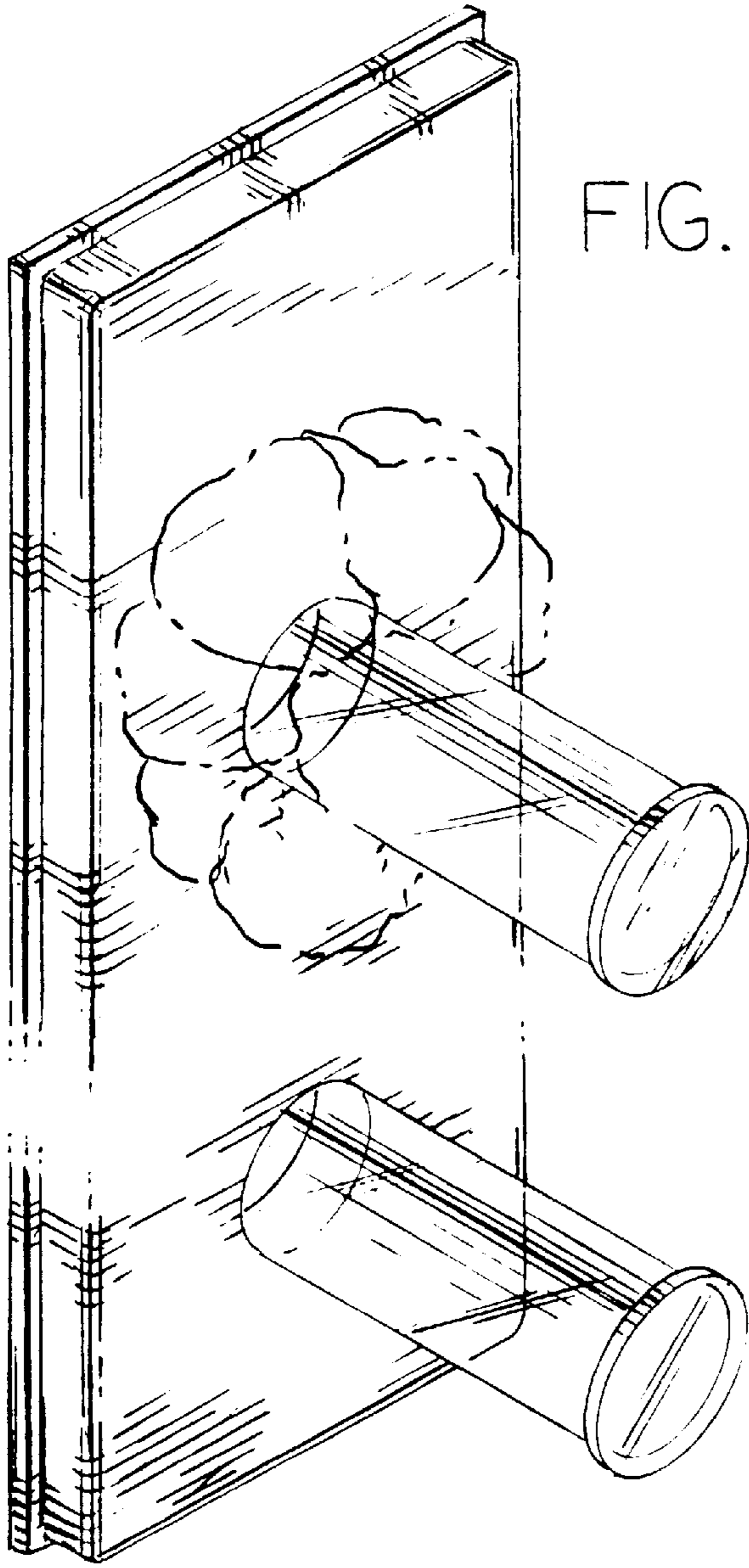


FIG. 2

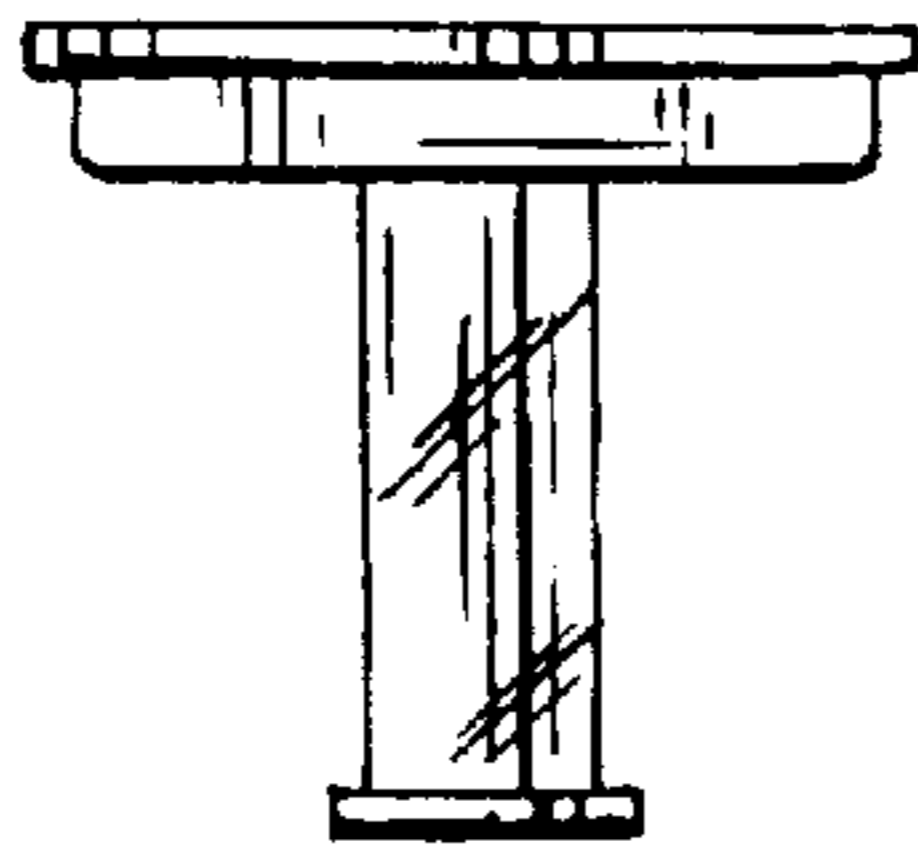


FIG. 4

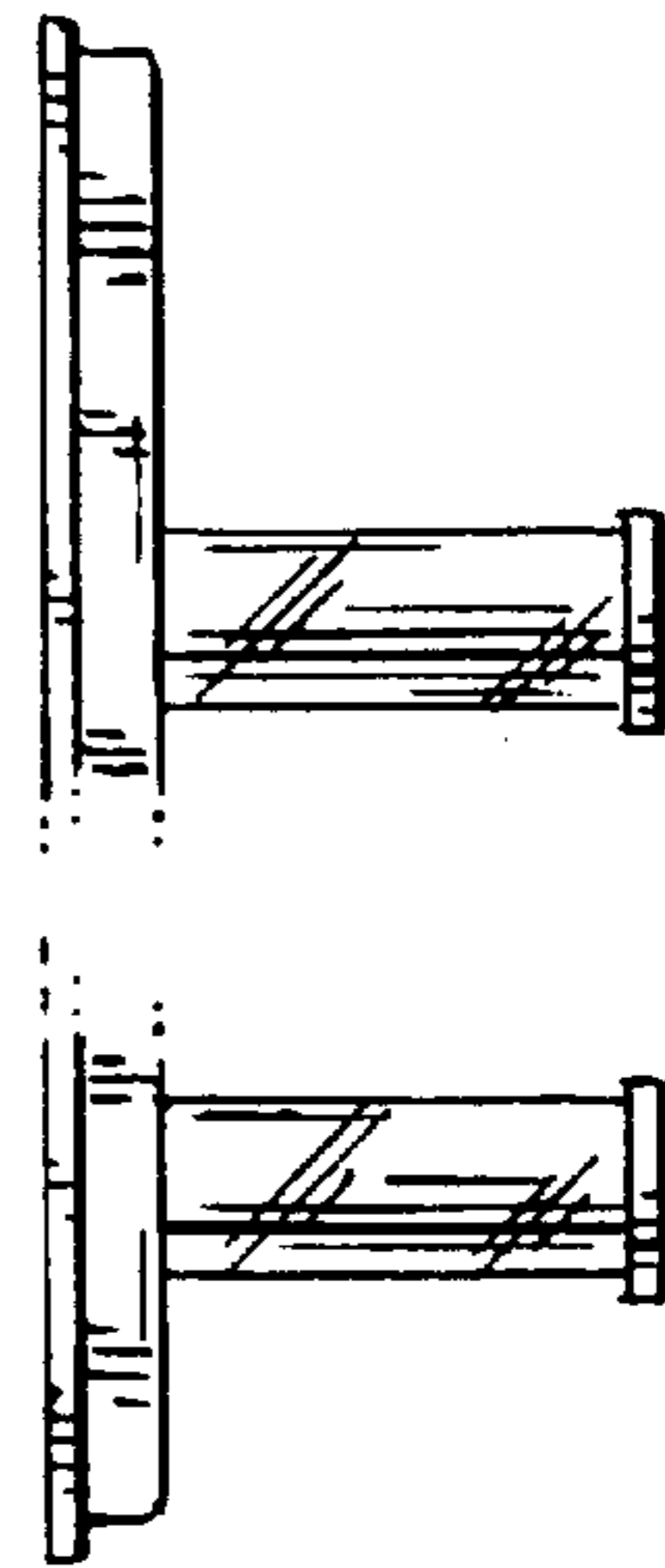


FIG. 3

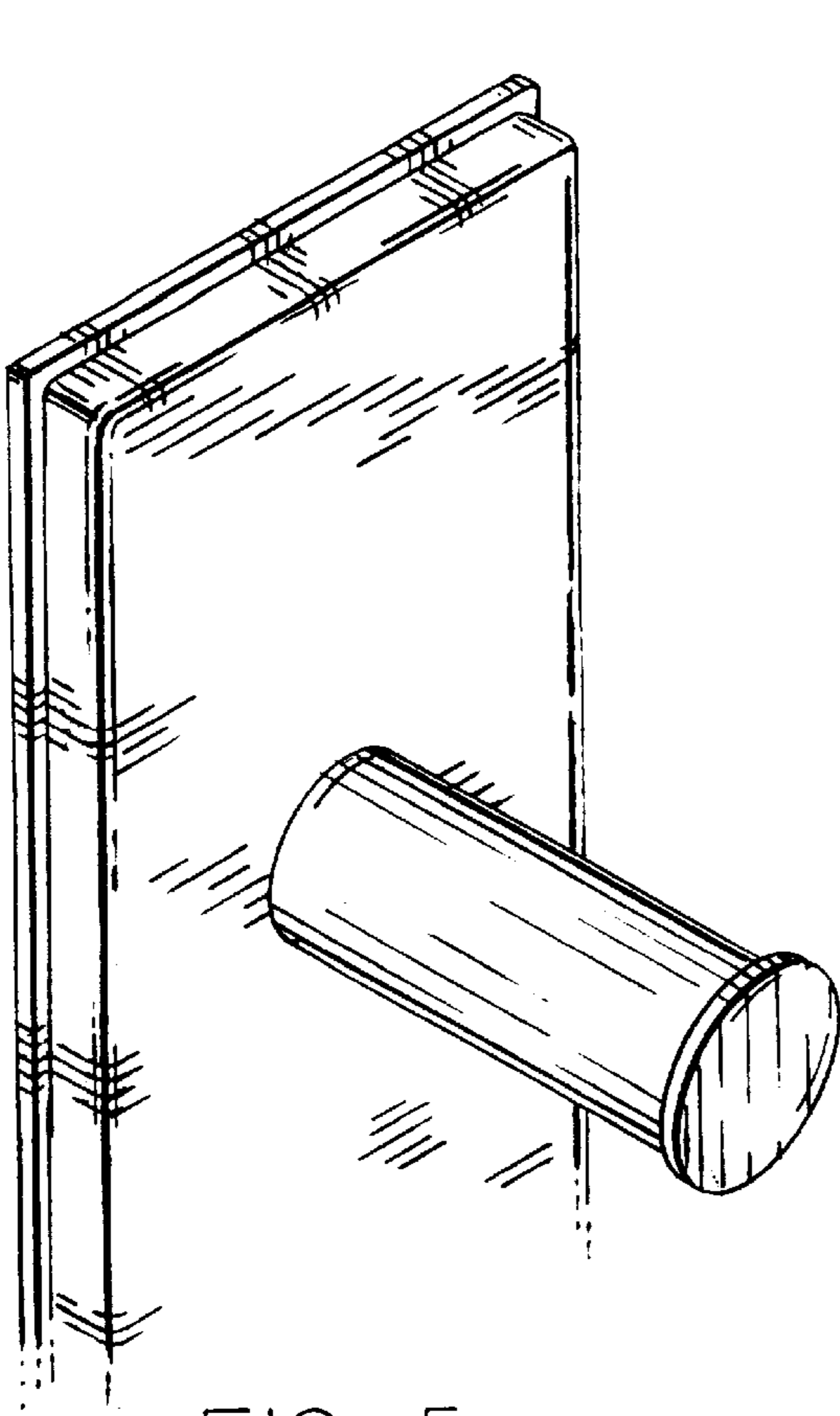


FIG. 5

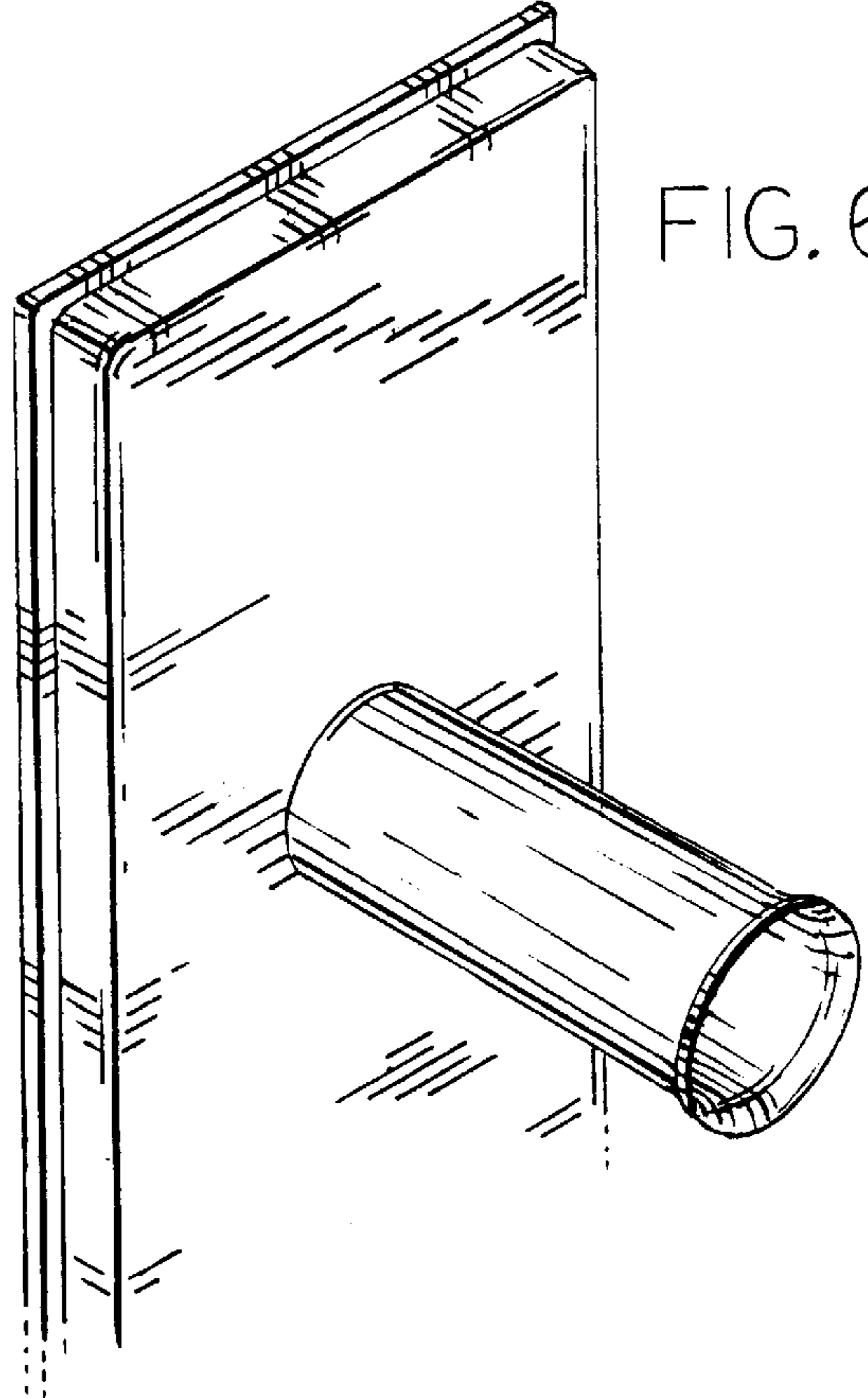


FIG. 6

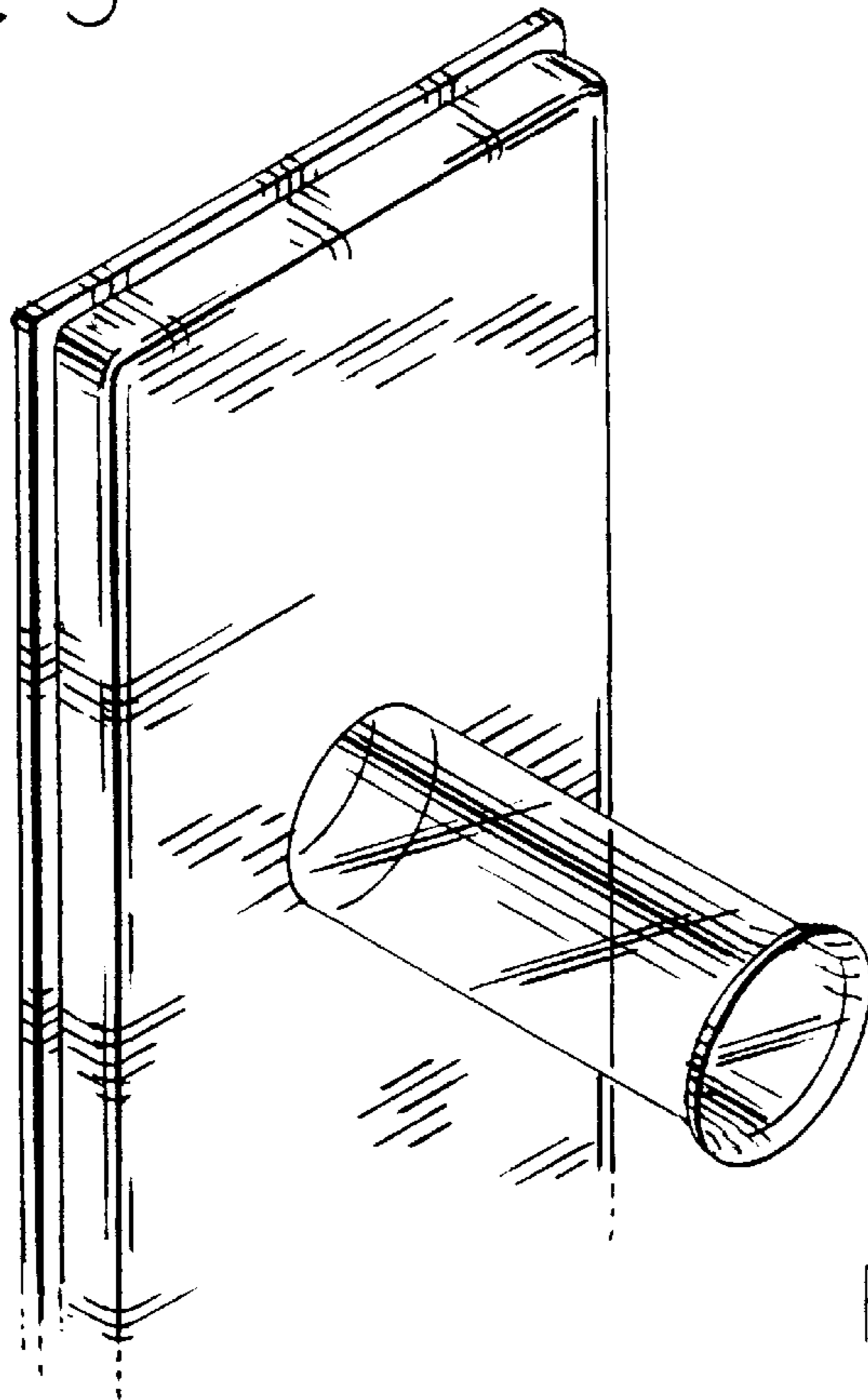


FIG. 7