



US00D417110S

# United States Patent [19]

Dillon et al.

[11] Patent Number: **Des. 417,110**

[45] Date of Patent: **\*\* Nov. 30, 1999**

[54] **DISPOSABLE TOOTHBRUSH HOLDER**

2,957,584 10/1960 Jenkins ..... D6/534 X

[76] Inventors: **Cecil Dillon; James Sandor**, both of P.  
O. Box 2180, Lodi, Calif. 95241

*Primary Examiner*—Brian N. Vinson  
*Attorney, Agent, or Firm*—Basil Travis

[\*\*] Term: **14 Years**

[57] **CLAIM**

[21] Appl. No.: **29/082,278**

The ornamental design for a disposable toothbrush holder, as shown and described.

[22] Filed: **Jan. 20, 1998**

**DESCRIPTION**

[51] **LOC (6) Cl.** ..... **07-07**

[52] **U.S. Cl.** ..... **D6/534**

[58] **Field of Search** ..... D6/534, 528; 211/13,  
211/66, 71, 86-91, 126, 134

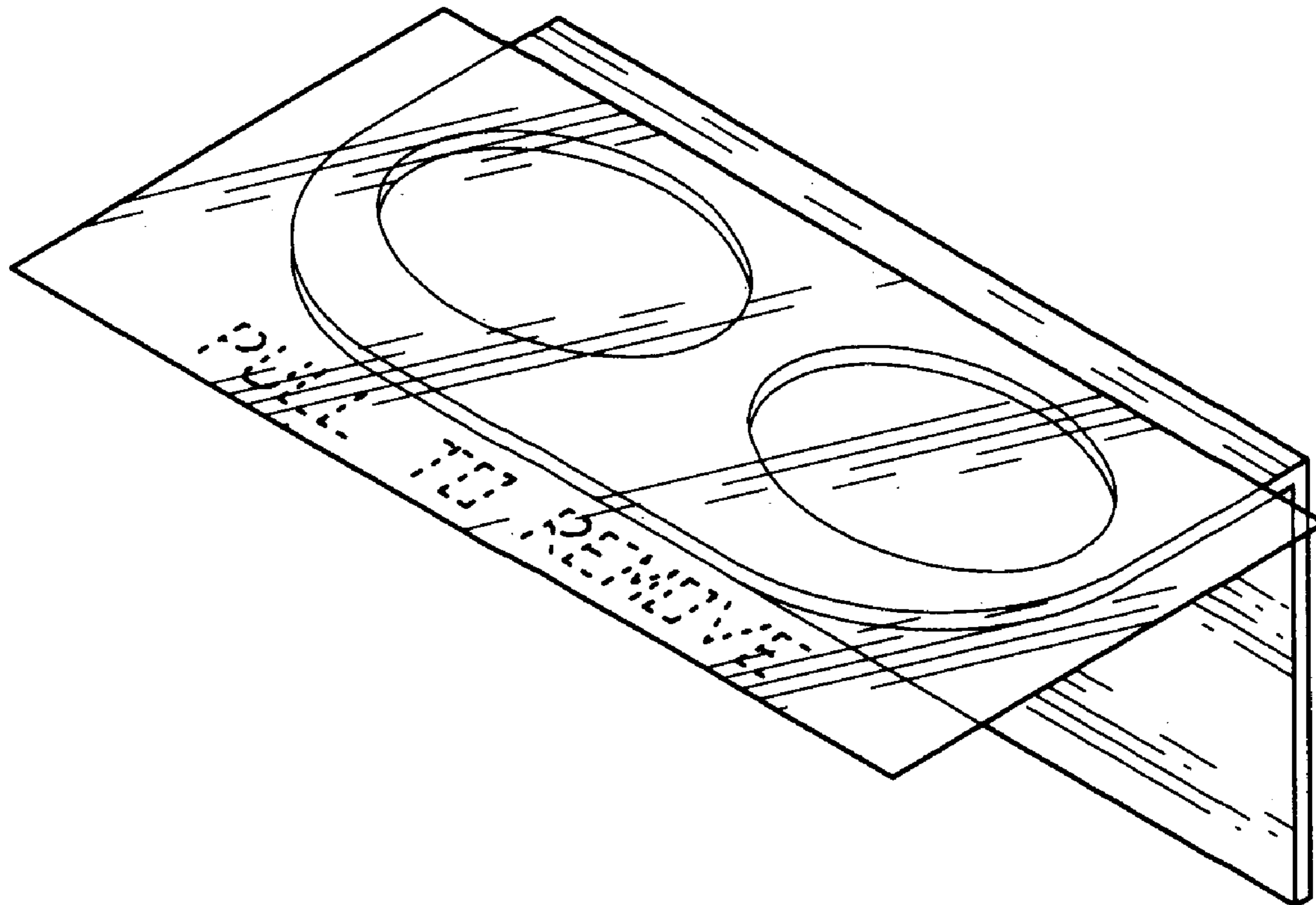
FIG. 1 is a top, front and side perspective view of a disposable toothbrush holder showing our new design; FIG. 2 is a front elevational view; FIG. 3 is a side elevational view, the opposite side being a mirror image thereof; FIG. 4 is a top plan view; FIG. 5 is a rear elevational view; and, FIG. 6 is a bottom plan view.

[56] **References Cited**

**U.S. PATENT DOCUMENTS**

- D. 320,123 9/1991 Wolf et al. .... D6/534 X
- D. 341,510 11/1993 Lieberman ..... D6/534 X
- D. 356,915 4/1995 Torres et al. .... D6/534

**1 Claim, 1 Drawing Sheet**



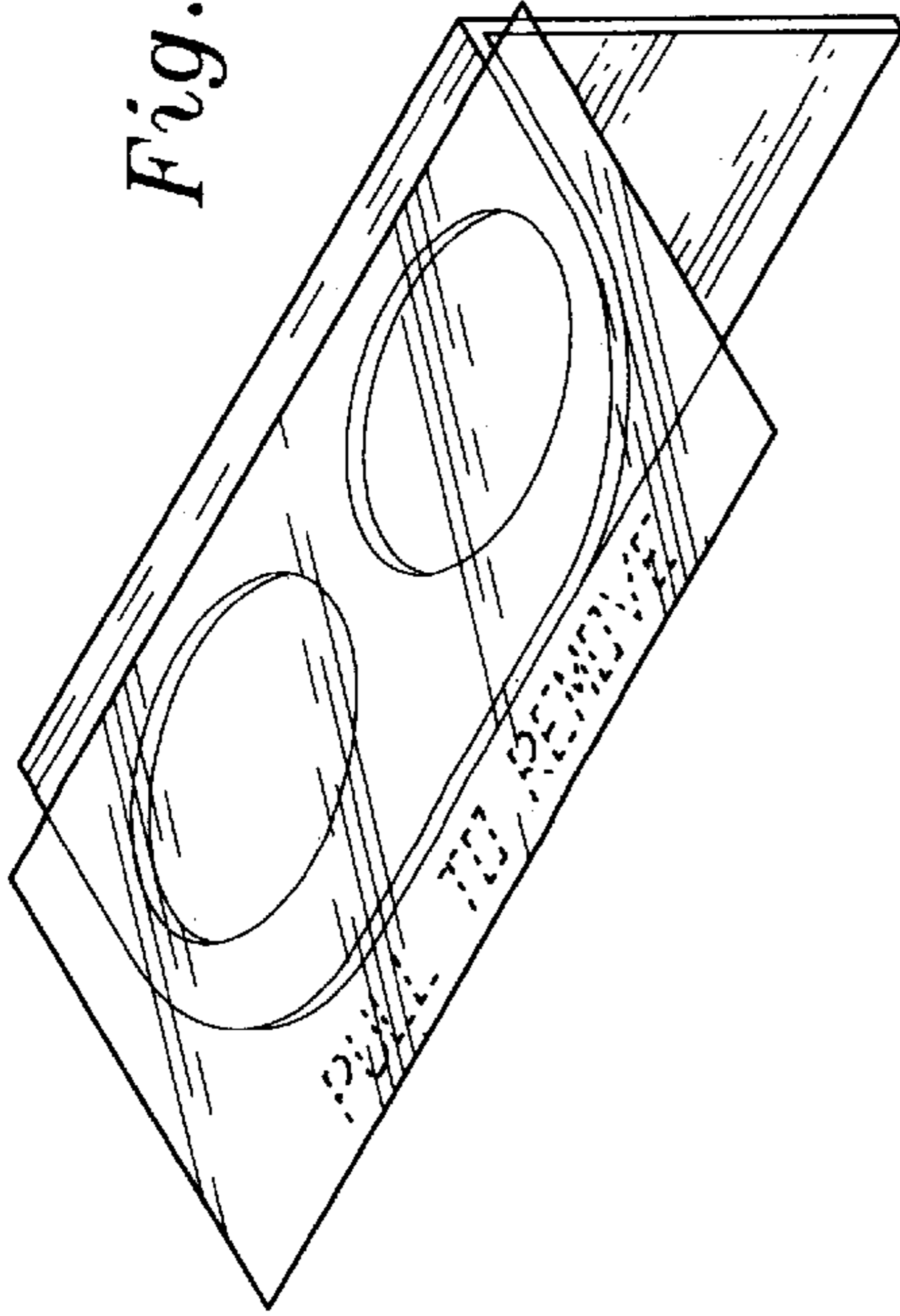


Fig. 1

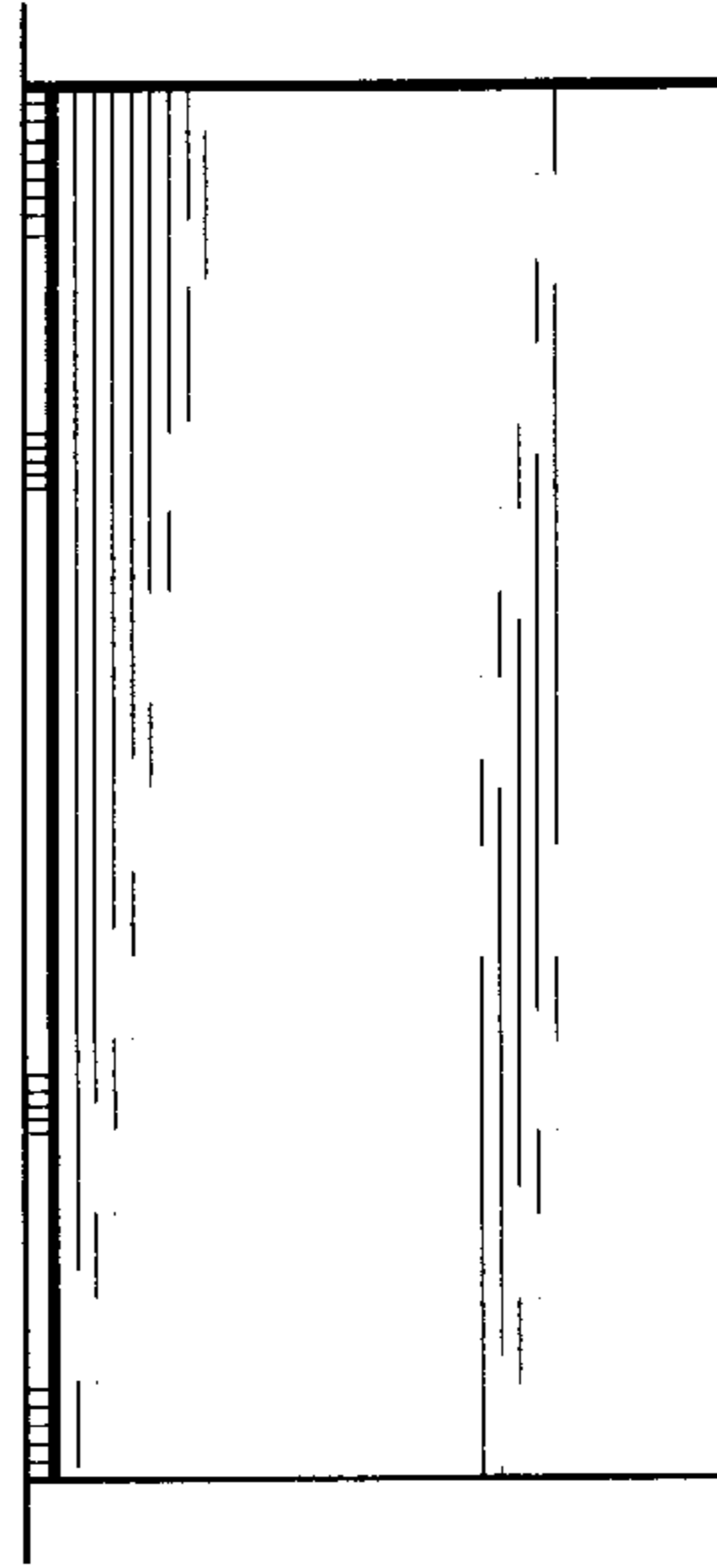


Fig. 2

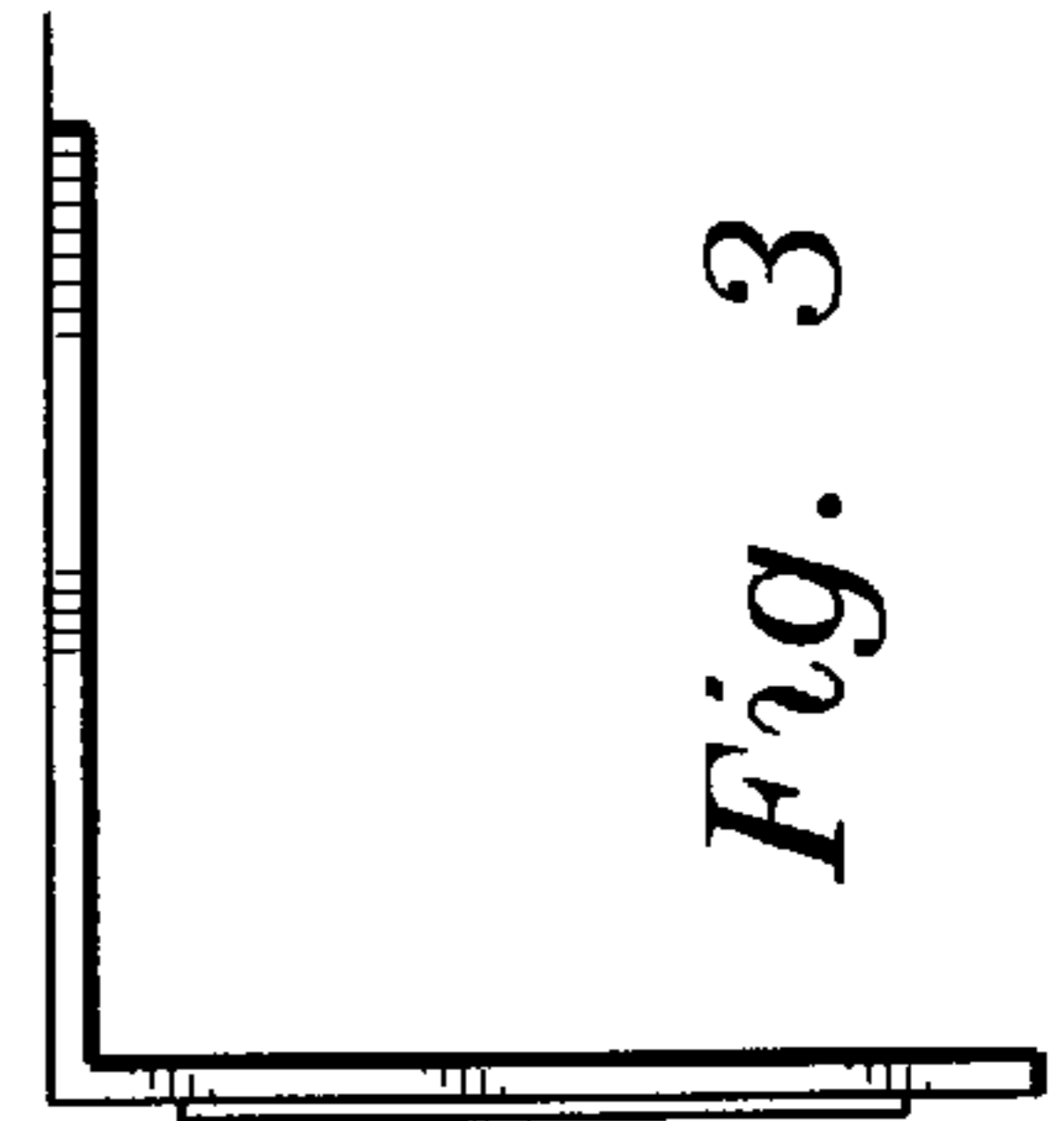


Fig. 3

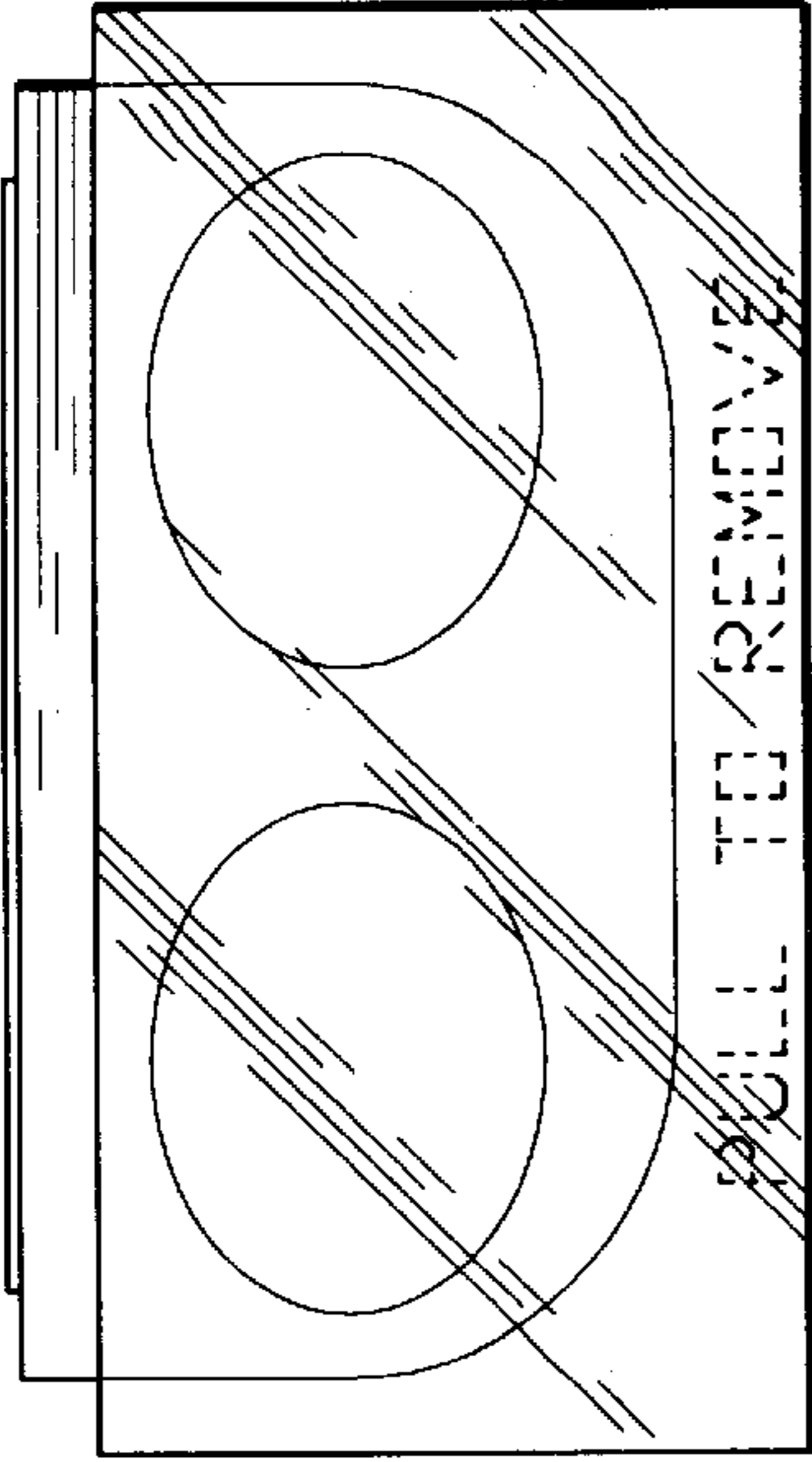


Fig. 4

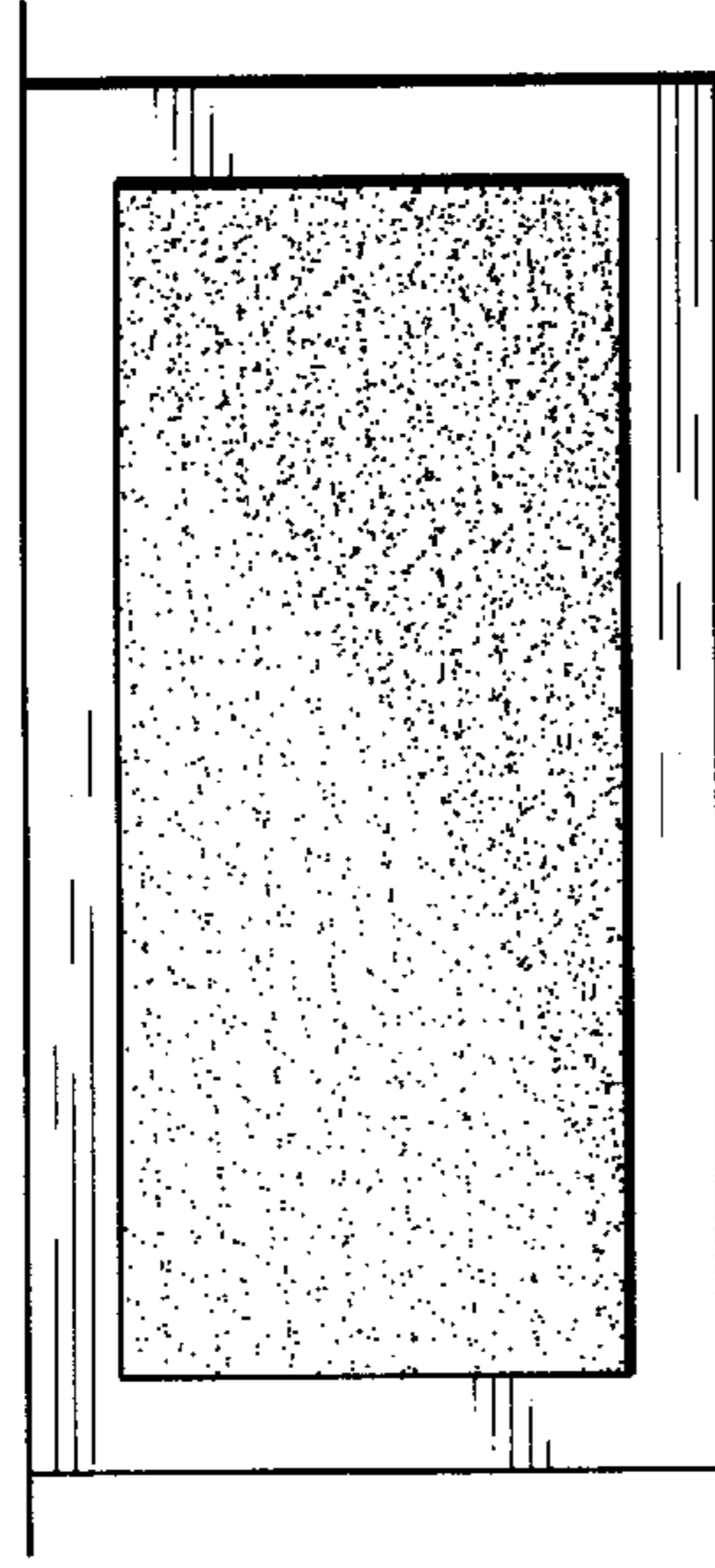


Fig. 5

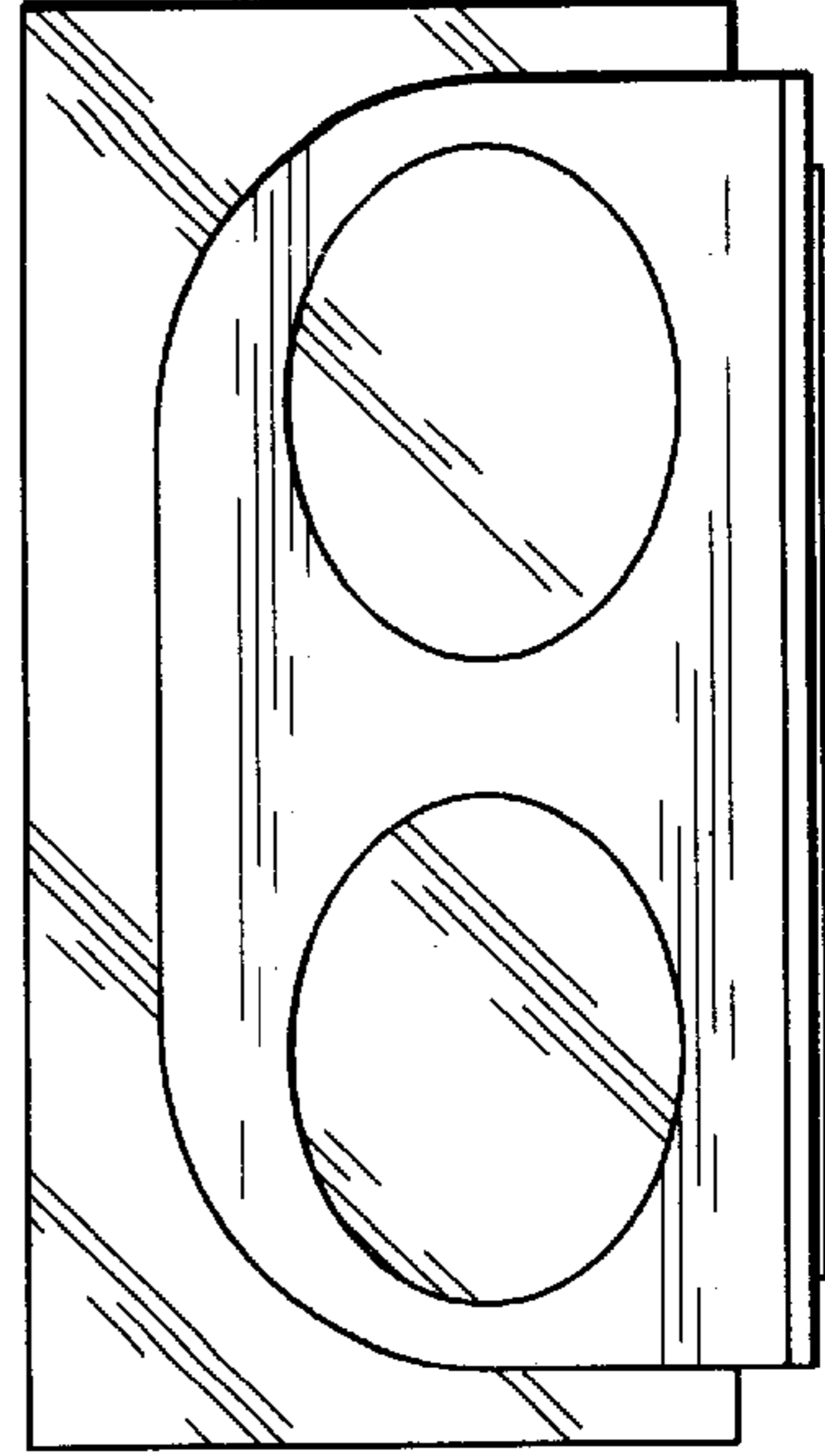


Fig. 6