



US00D417101S

United States Patent [19]

DeSanta et al.

[11] **Patent Number: Des. 417,101**

[45] **Date of Patent: ** Nov. 30, 1999**

[54] **CHAIR**

[75] Inventors: **Simon DeSanta**, Borgholzhausen, Germany; **Jason S. Lind**, Green Bay, Wis.

[73] Assignee: **Peter Röder**, Frankfurt, Germany

[**] Term: **14 Years**

[21] Appl. No.: **29/068,783**

[22] Filed: **Jun. 6, 1997**

Related U.S. Application Data

[63] Continuation-in-part of application No. 29/056,157, Jun. 20, 1996, Pat. No. Des. 398,163.

[51] **LOC (6) Cl.** **06-06**

[52] **U.S. Cl.** **D6/500; D6/366**

[58] **Field of Search** D6/334, 364, 365, D6/366, 367, 500, 501, 502; 297/411.2

[56] References Cited

U.S. PATENT DOCUMENTS

- D. 185,849 8/1959 Christenson et al. D6/366
- D. 185,851 8/1959 Christenson et al. D6/366

- D. 236,173 8/1975 Ruf D6/366
- D. 275,053 8/1984 Stephens D6/366
- D. 289,236 4/1987 Bräuning D6/366
- D. 330,808 11/1992 Citterio D6/366
- D. 398,163 9/1998 Desanta D6/366

Primary Examiner—Gary D. Watson
Attorney, Agent, or Firm—Venable; George H. Spencer; Ashlew J. Wells

[57] CLAIM

The ornamental design for a chair, as shown and described.

DESCRIPTION

FIG. 1 is an elevation view showing the left side of a chair according to our design, the right side being a mirror image thereof;

FIG. 2 is an elevation view showing the front of the chair; FIG. 3 is a top plan view of the chair according to; and, FIG. 4 is an elevation view showing the rear of the chair.

The fragmented cross-hatching shown on the seat and backrest in FIGS. 1 through 3 is understood to represent fabric and would be continuous throughout the implied areas. The broken lines shown in all views are for illustrative purposes only and form no part of the claimed design.

1 Claim, 2 Drawing Sheets

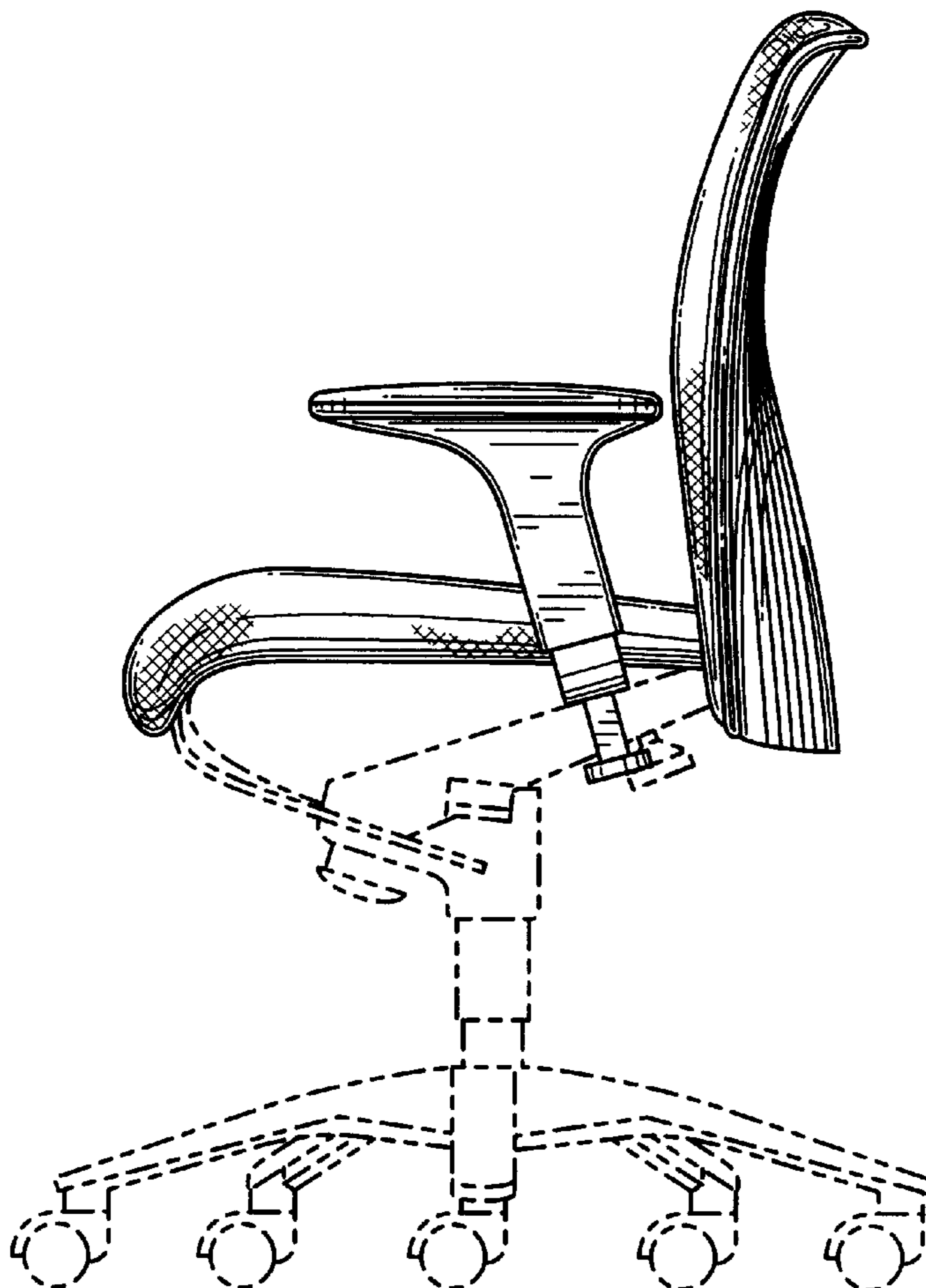


FIG. 1

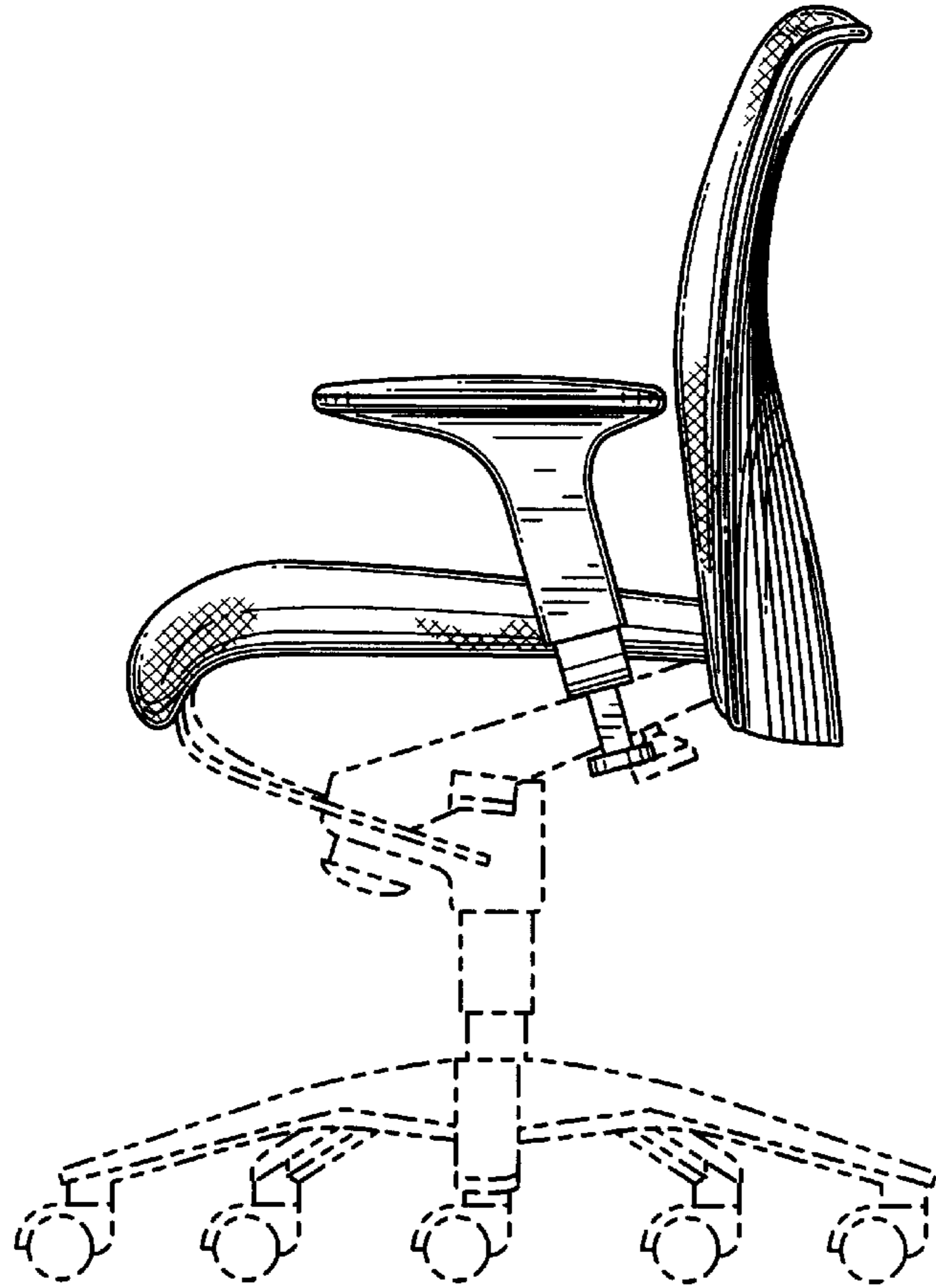
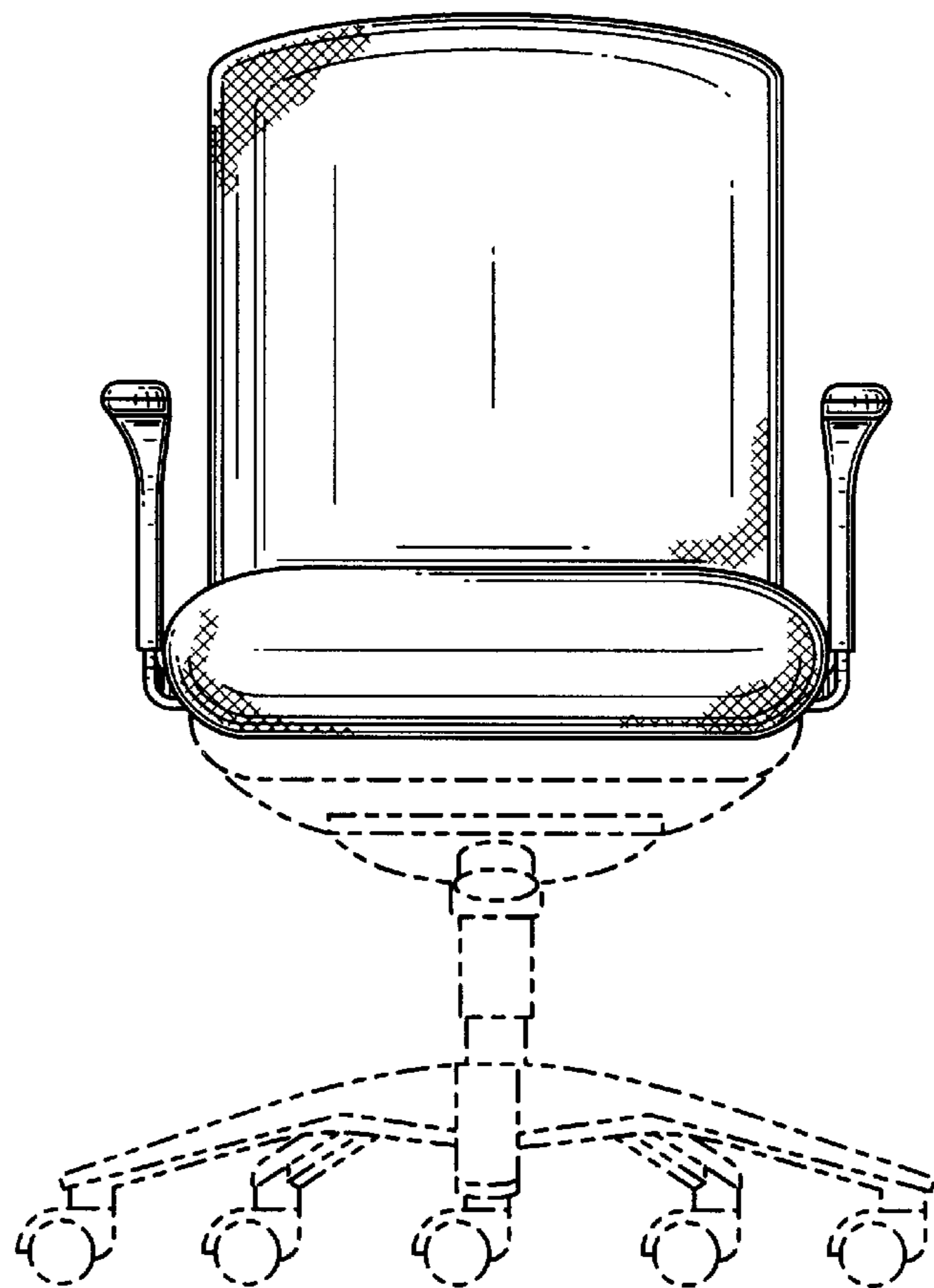


FIG. 2



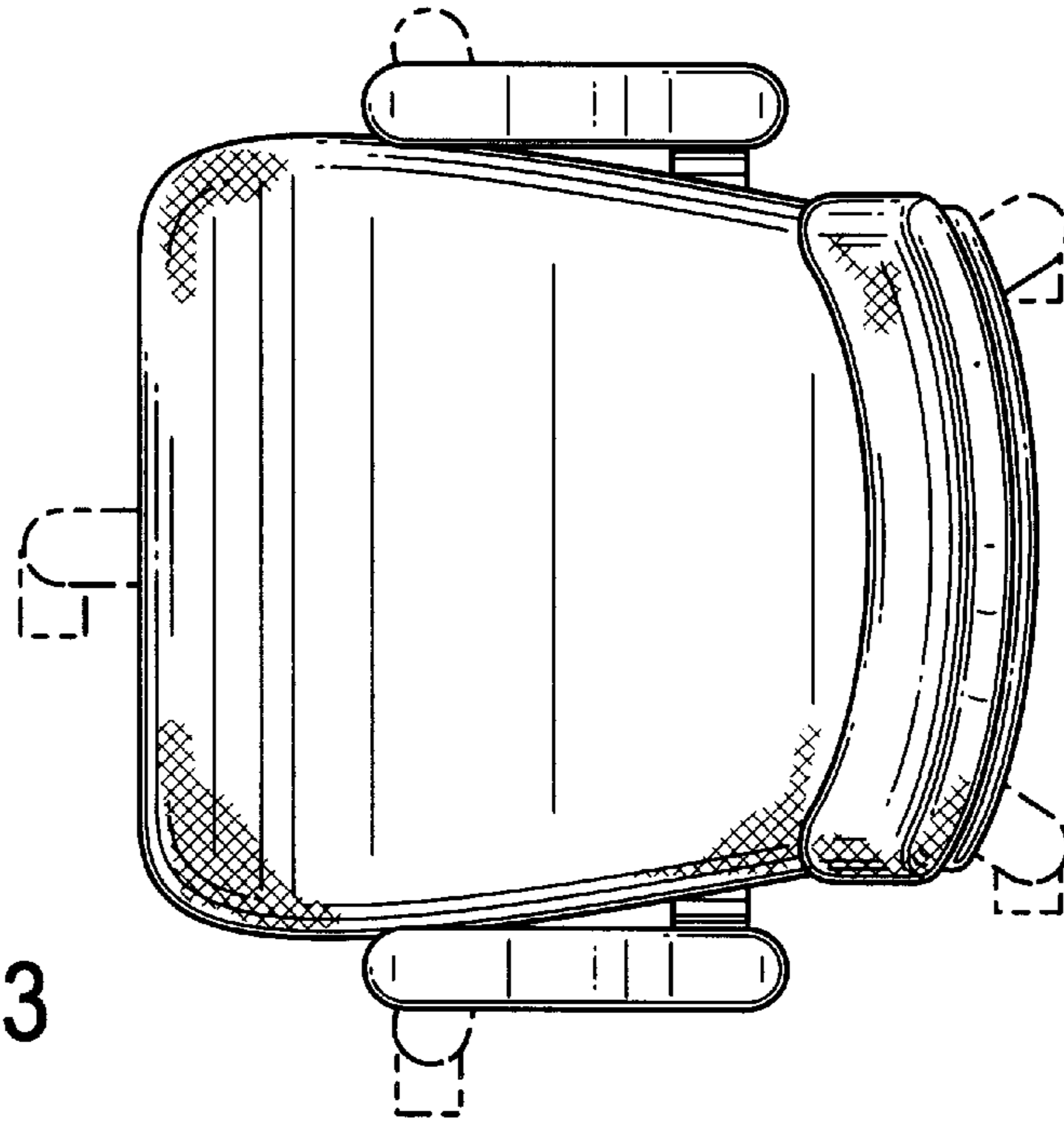


FIG. 3

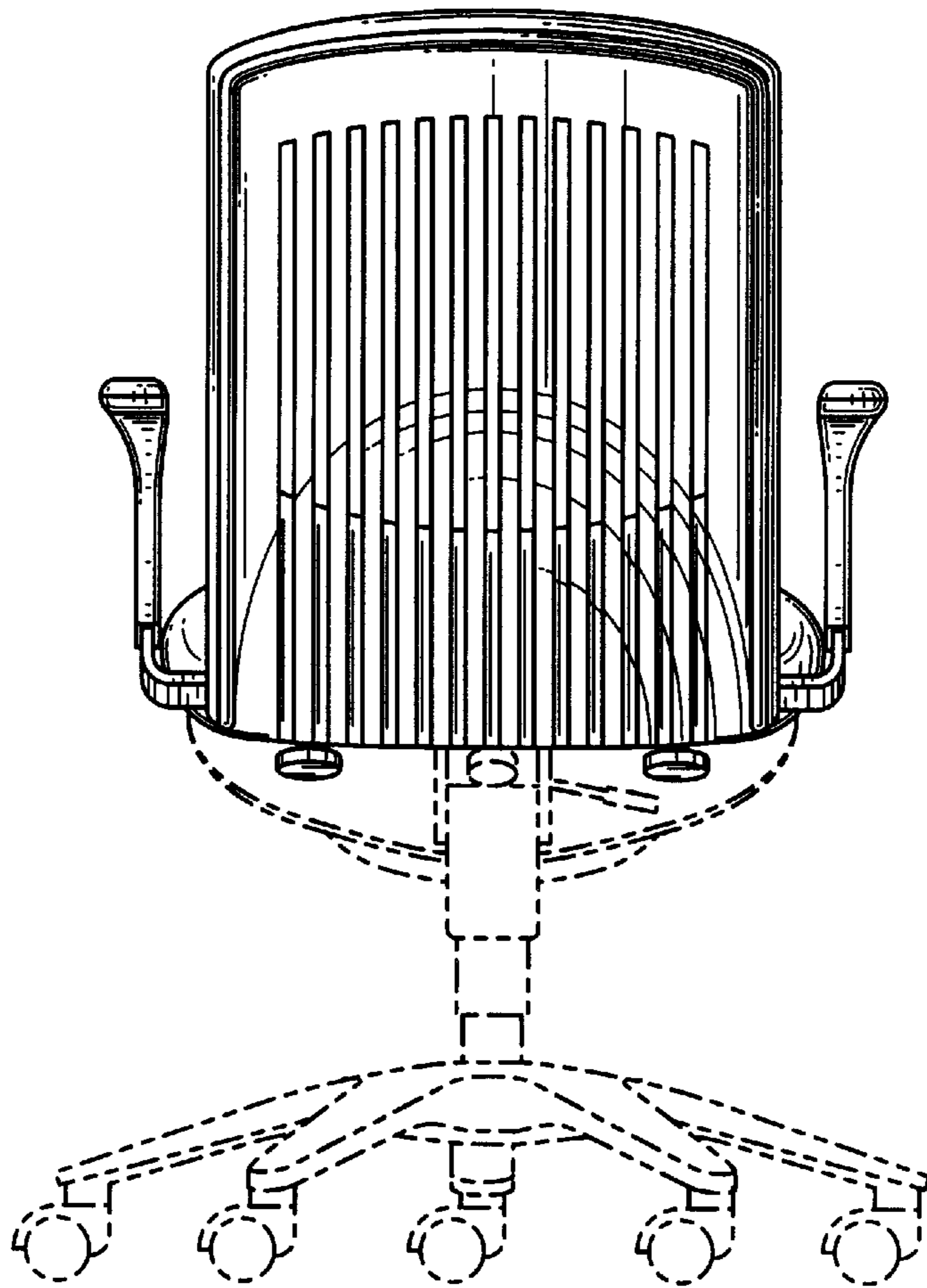


FIG. 4