



US00D417100S

United States Patent [19]

Lee

[11] **Patent Number: Des. 417,100**

[45] **Date of Patent: ** Nov. 30, 1999**

[54] **CHAIR LEG**

[76] Inventor: **Ming-Hao Lee**, P.O. Box 63-247,
Taichung, Taiwan

[**] Term: **14 Years**

[21] Appl. No.: **29/097,812**

[22] Filed: **Dec. 14, 1998**

[51] **LOC (6) Cl.** **06-06**

[52] **U.S. Cl.** **D6/498; D6/366**

[58] **Field of Search** D6/334, 364, 365,
D6/366, 498, 500; 248/188, 188.1, 188.7,
188.8, 188.9

[56] **References Cited**

U.S. PATENT DOCUMENTS

- D. 266,043 9/1982 Striebel D6/498
- D. 274,769 7/1984 Klier D6/366
- D. 312,013 11/1990 Aronowitz et al. D6/498
- D. 318,763 8/1991 George et al. D6/366

- D. 353,268 12/1994 Ambasz D6/366
- D. 354,178 1/1995 Ochsner D6/366
- D. 405,618 2/1999 Reutepohler et al. D6/366

Primary Examiner—Gary D. Watson
Attorney, Agent, or Firm—Alan Kamrath; Oppenheimer
Wolff & Donnelly LLP

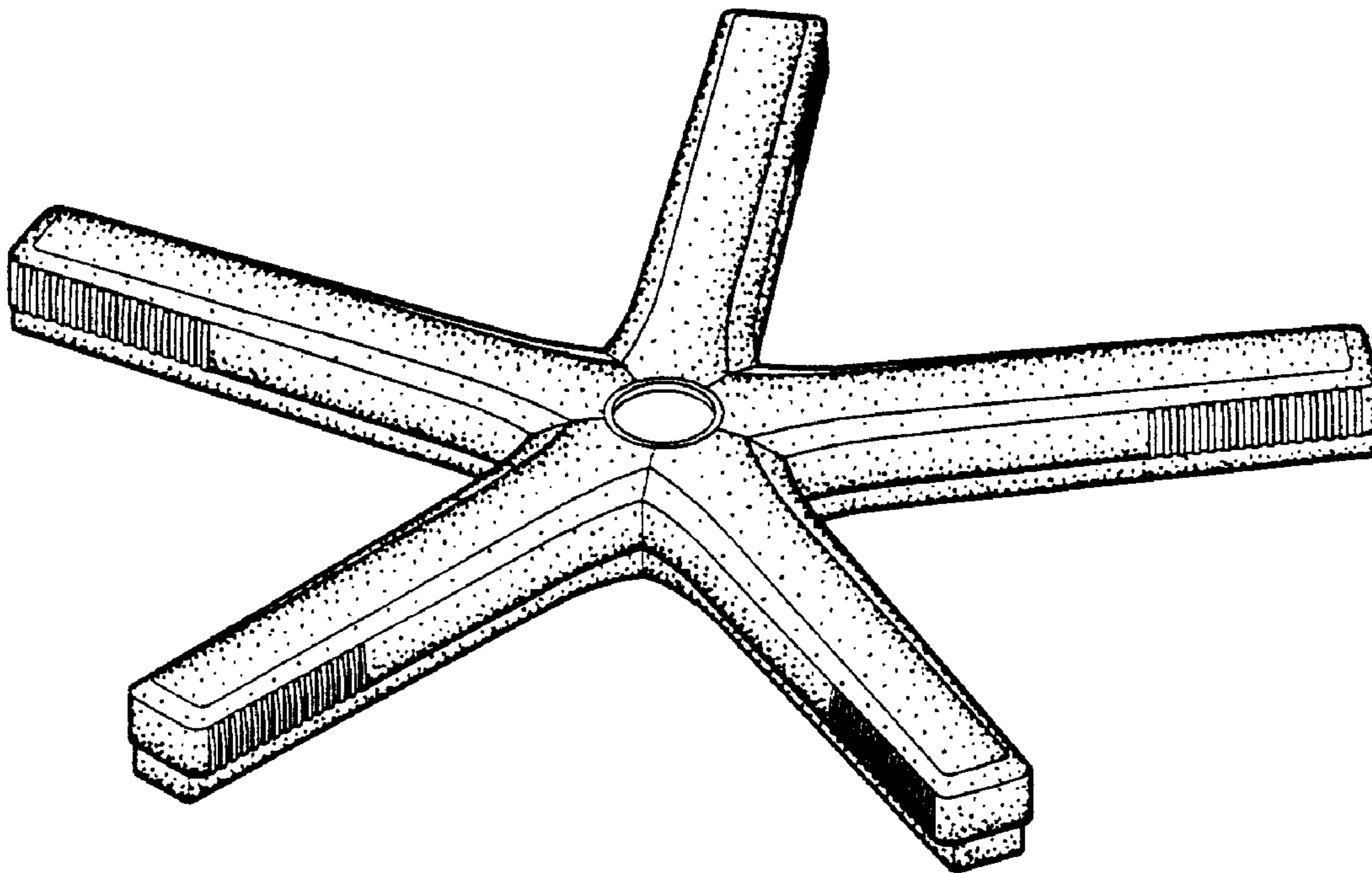
[57] **CLAIM**

The ornamental design for a chair leg, as shown and described.

DESCRIPTION

FIG. 1 is a perspective view of a chair leg showing my new design;
FIG. 2 is a front elevational view thereof;
FIG. 3 is a rear elevational view thereof;
FIG. 4 is a left elevational view thereof; the opposite side being a mirror image of the shown;
FIG. 5 is a top plan view thereof; and,
FIG. 6 is bottom plan view thereof.

1 Claim, 3 Drawing Sheets



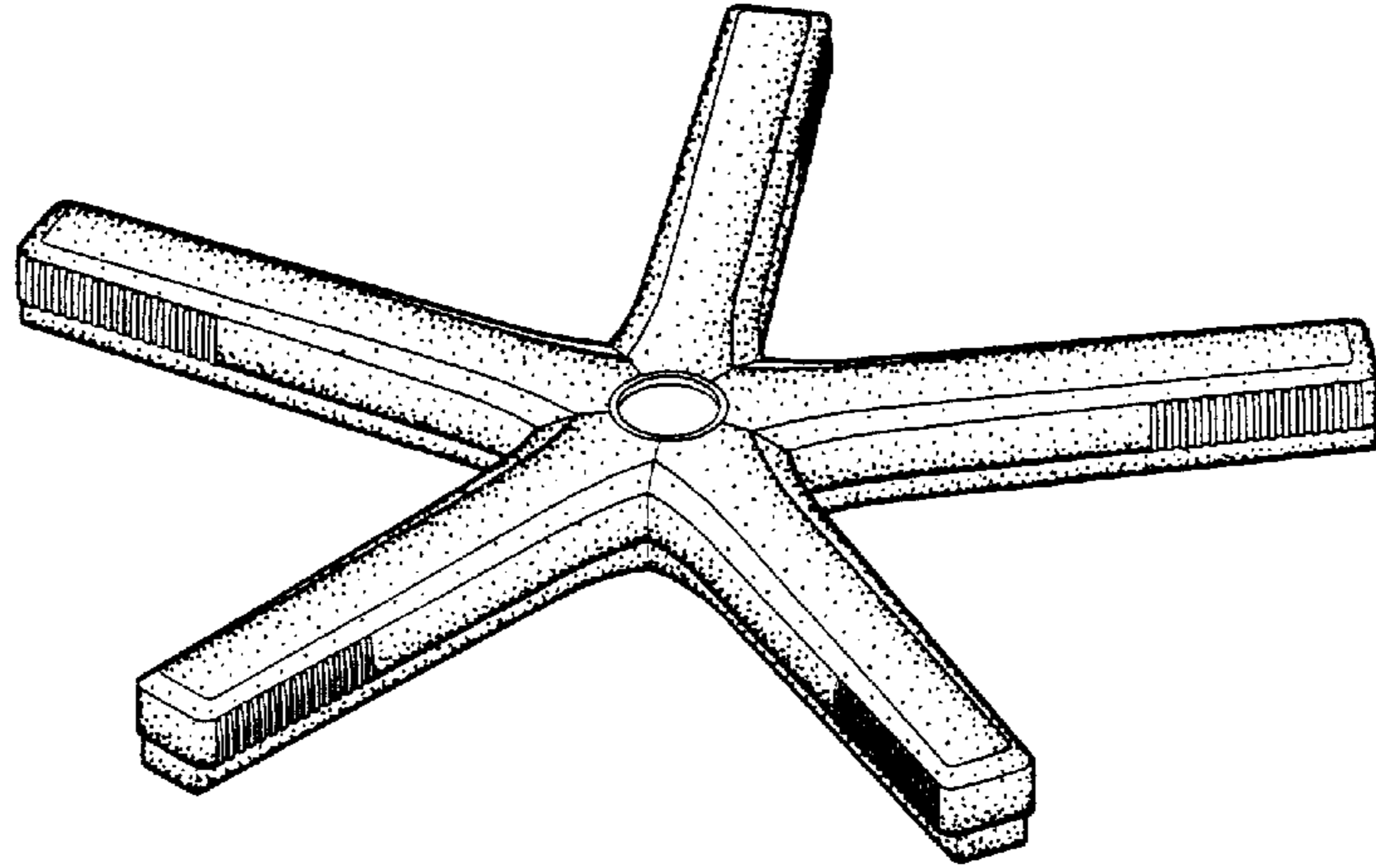


Fig. 1



Fig. 3



Fig. 4

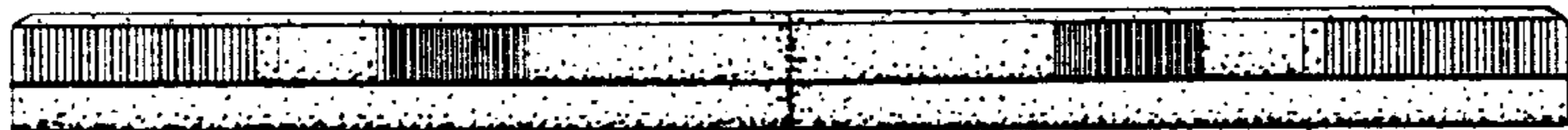


Fig. 2

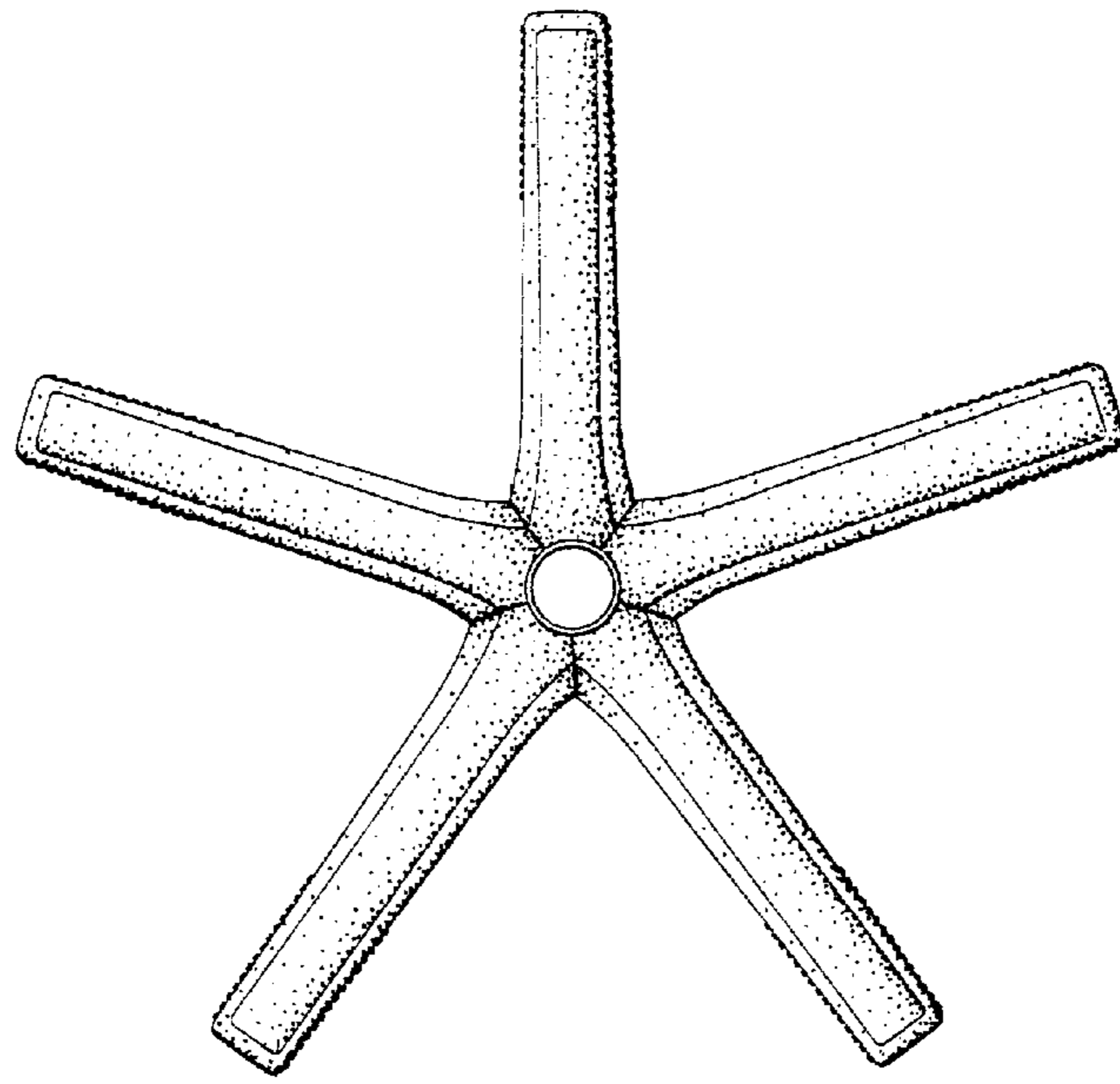


Fig. 5

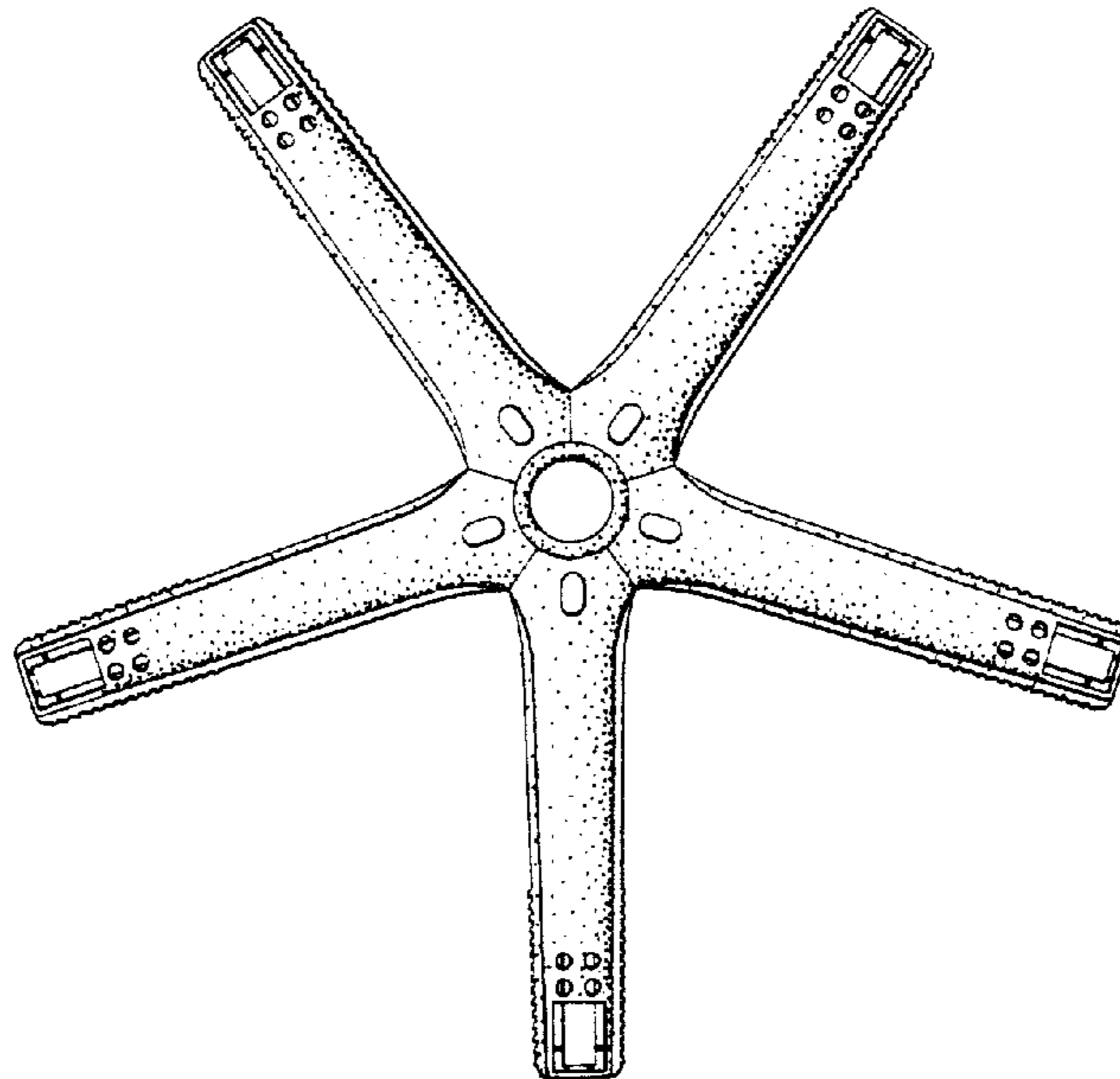


Fig. 6