



US00D417098S

United States Patent [19]

Teufel et al.

[11] **Patent Number: Des. 417,098**

[45] **Date of Patent: ** Nov. 30, 1999**

[54] **FRONT FACE OF A CABINET DOOR**

D. 404,945 2/1999 Simpkins et al. D6/510
5,680,957 10/1997 Liu 220/663

[75] Inventors: **Rainer Teufel**, Columbus; **Jon Wells**,
New Bremen, both of Ohio

Primary Examiner—Carmen H. Vales-Lado
Attorney, Agent, or Firm—Biebel & French

[73] Assignee: **Midmark Corporation**, Versailles,
Ohio

[57] **CLAIM**

[**] Term: **14 Years**

The ornamental design for a front face of a cabinet door, as shown and described.

[21] Appl. No.: **29/083,802**

DESCRIPTION

[22] Filed: **Feb. 18, 1998**

FIG. 1 is a front elevational view of a front face of a cabinet door showing our new design;

[51] **LOC (6) Cl.** **06-06**

FIG. 2 is a left side elevational view, the right side being a mirror image thereof;

[52] **U.S. Cl.** **D6/492**

[58] **Field of Search** D6/432-448, 470-472,
D6/491, 492, 510-511, 422-428; 312/330,
114, 204, 116; 220/662, 663

FIG. 3 is a top plan view thereof;

FIG. 4 is a bottom plan view thereof; and,

FIG. 5 is a bottom right side perspective view thereof.

The surface or portion of the article not shown in the drawing or described in the specification forms no part of the claimed design.

[56] **References Cited**

U.S. PATENT DOCUMENTS

D. 360,778 8/1995 Apt, III et al. D6/448
D. 372,378 8/1996 Kruger D6/448

1 Claim, 3 Drawing Sheets

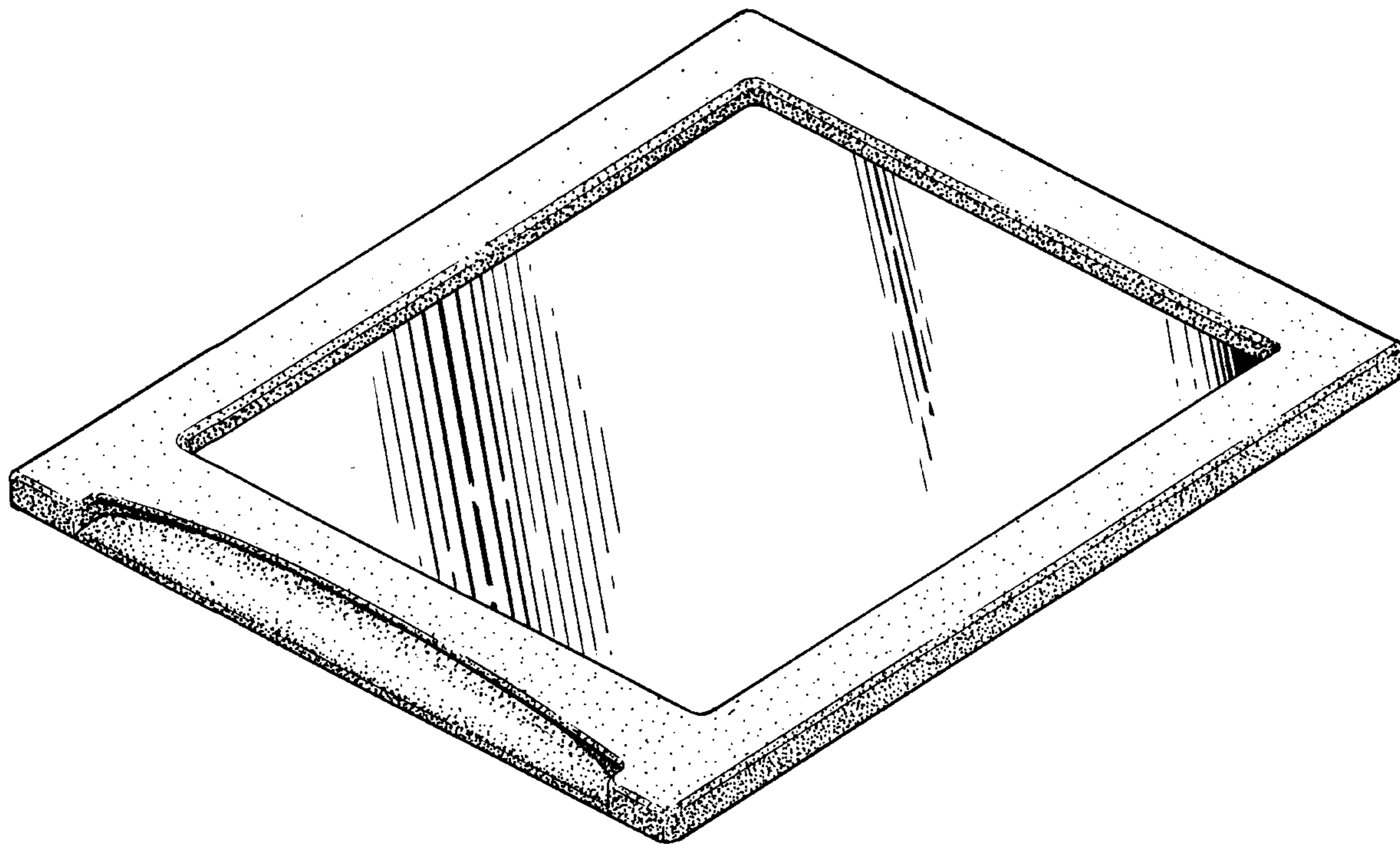


FIG - 1

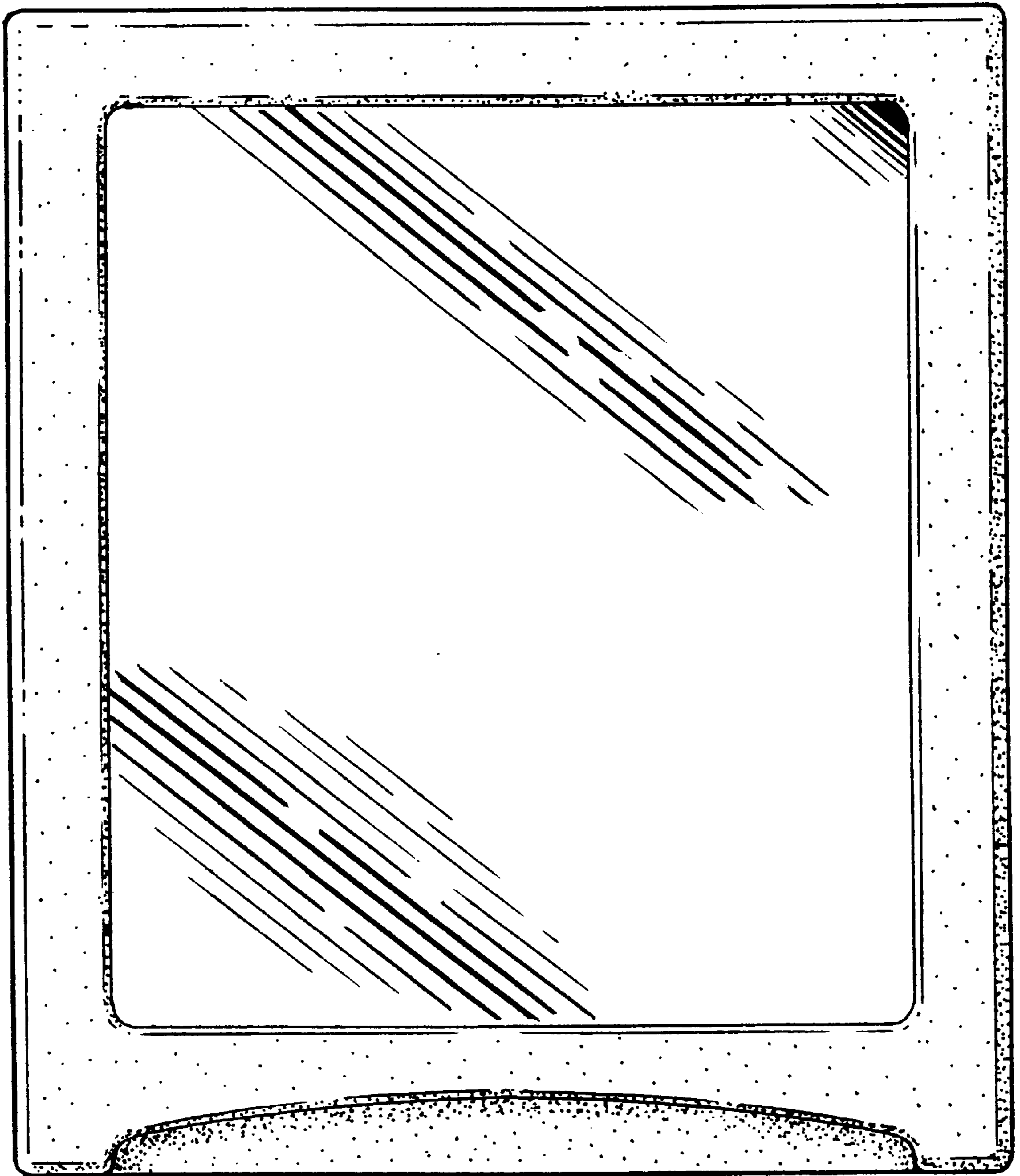


FIG - 2



FIG - 3

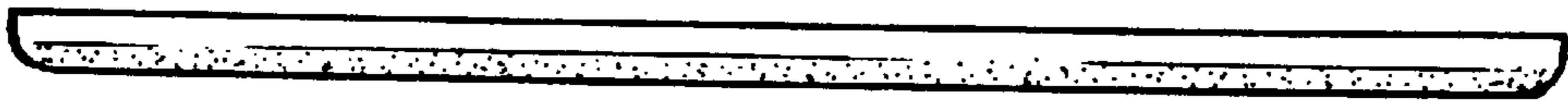
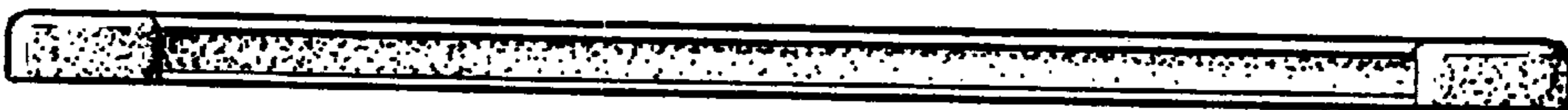


FIG - 4



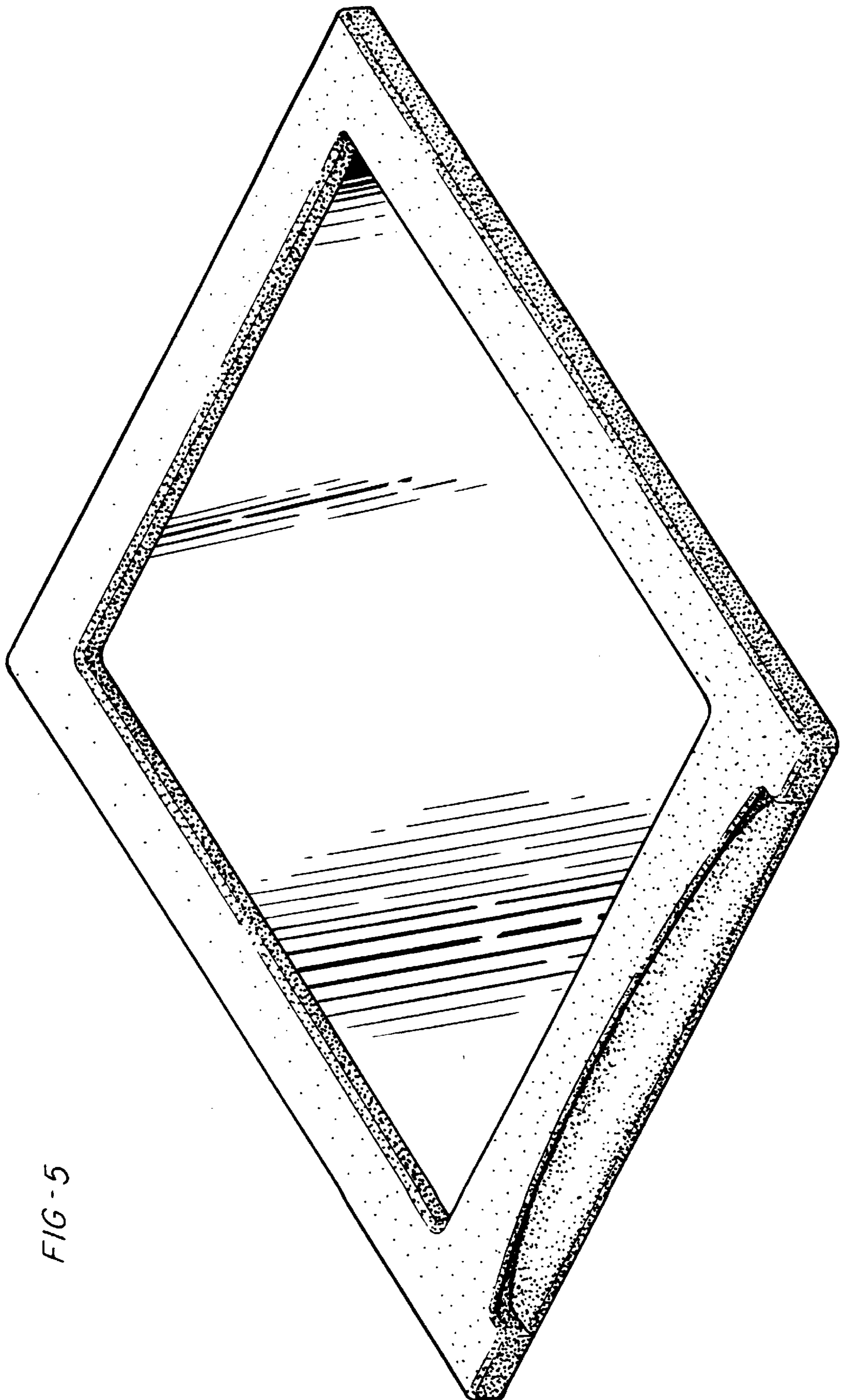


FIG - 5