



US00D417095S

United States Patent [19] Glass

[11] Patent Number: **Des. 417,095**

[45] Date of Patent: **** Nov. 30, 1999**

[54] **TABLE WITH MODESTY PANEL**

[75] Inventor: **Peter Glass**, Napa, Calif.
[73] Assignee: **Virco Mfg. Corporation**, Torrance, Calif.
[**] Term: **14 Years**
[21] Appl. No.: **29/085,784**
[22] Filed: **Mar. 30, 1998**

[51] **LOC (6) Cl.** **06-03**
[52] **U.S. Cl.** **D6/484; D6/487**
[58] **Field of Search** D6/480-489, 495-497, D6/499, 429, 430; 108/152, 153.1, 156, 157.1, 157.18, 161, 69, 77; 248/188, 188.1, 188.7

[56] **References Cited**

U.S. PATENT DOCUMENTS

D. 263,909 4/1982 Adkinson D6/480
D. 294,318 2/1988 Zapf D6/484
D. 354,643 1/1995 Hansel et al. D6/484

OTHER PUBLICATIONS

Interiors, Oct. 1988, p. 64, table.
Primary Examiner—Janice E. Seeger
Attorney, Agent, or Firm—James E. Brunton

[57] **CLAIM**

The ornamental design for a table with modesty panel, as shown and described.

DESCRIPTION

FIG. 1 is a generally perspective view of a table with modesty panel showing my new design;
FIG. 2 is a right-side elevational view thereof;
FIG. 3 is an end view thereof, the opposite end view being the mirror image thereof;
FIG. 4 is a top plan view thereof;
FIG. 5 is a left-side elevational view thereof;
FIG. 6 is a bottom plan view thereof;
FIG. 7 is an enlarged view taken along lines 7—7 of FIG. 4; and,
FIG. 8 is a view taken along lines 8—8 of FIG. 7.

1 Claim, 6 Drawing Sheets



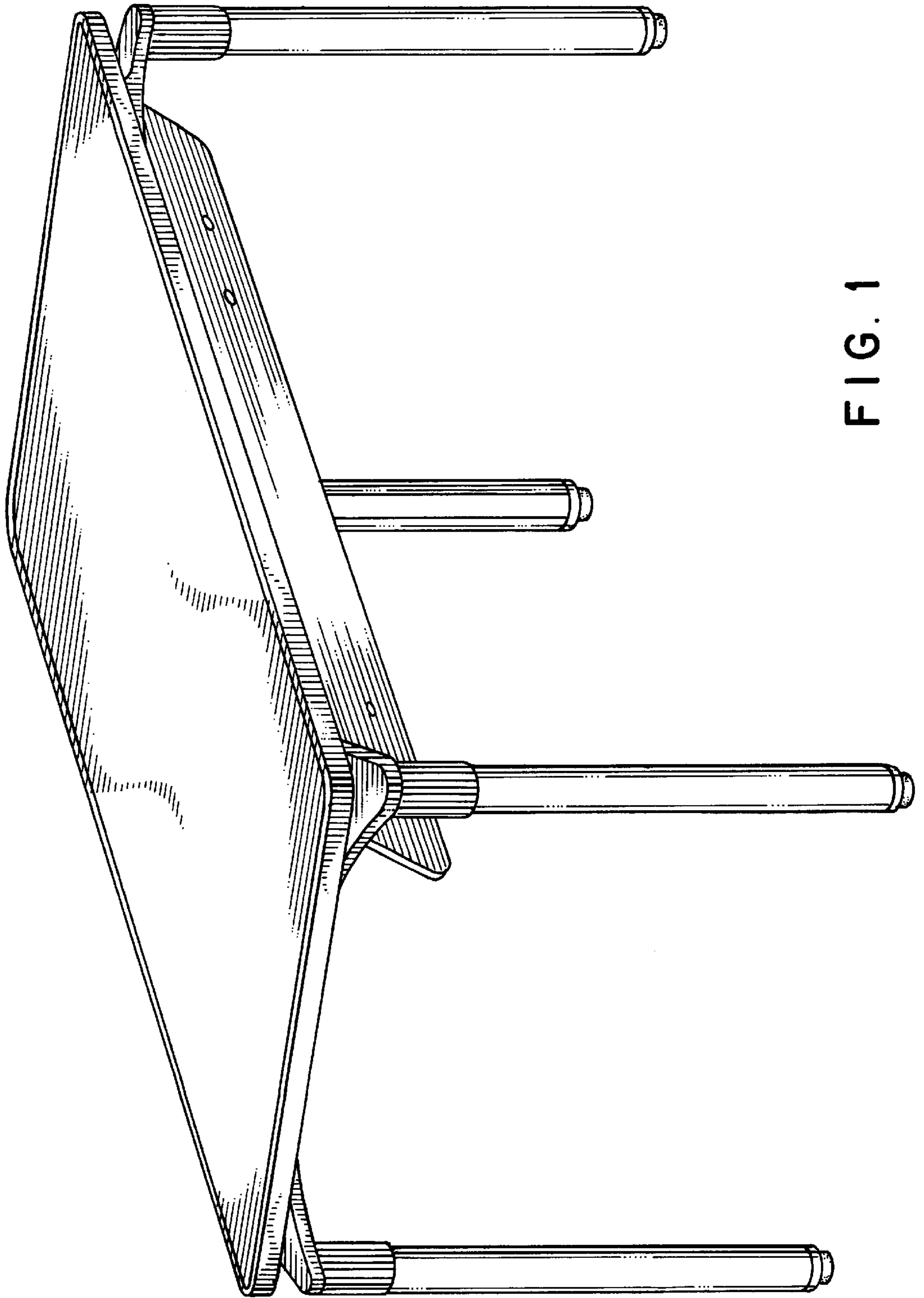


FIG. 1

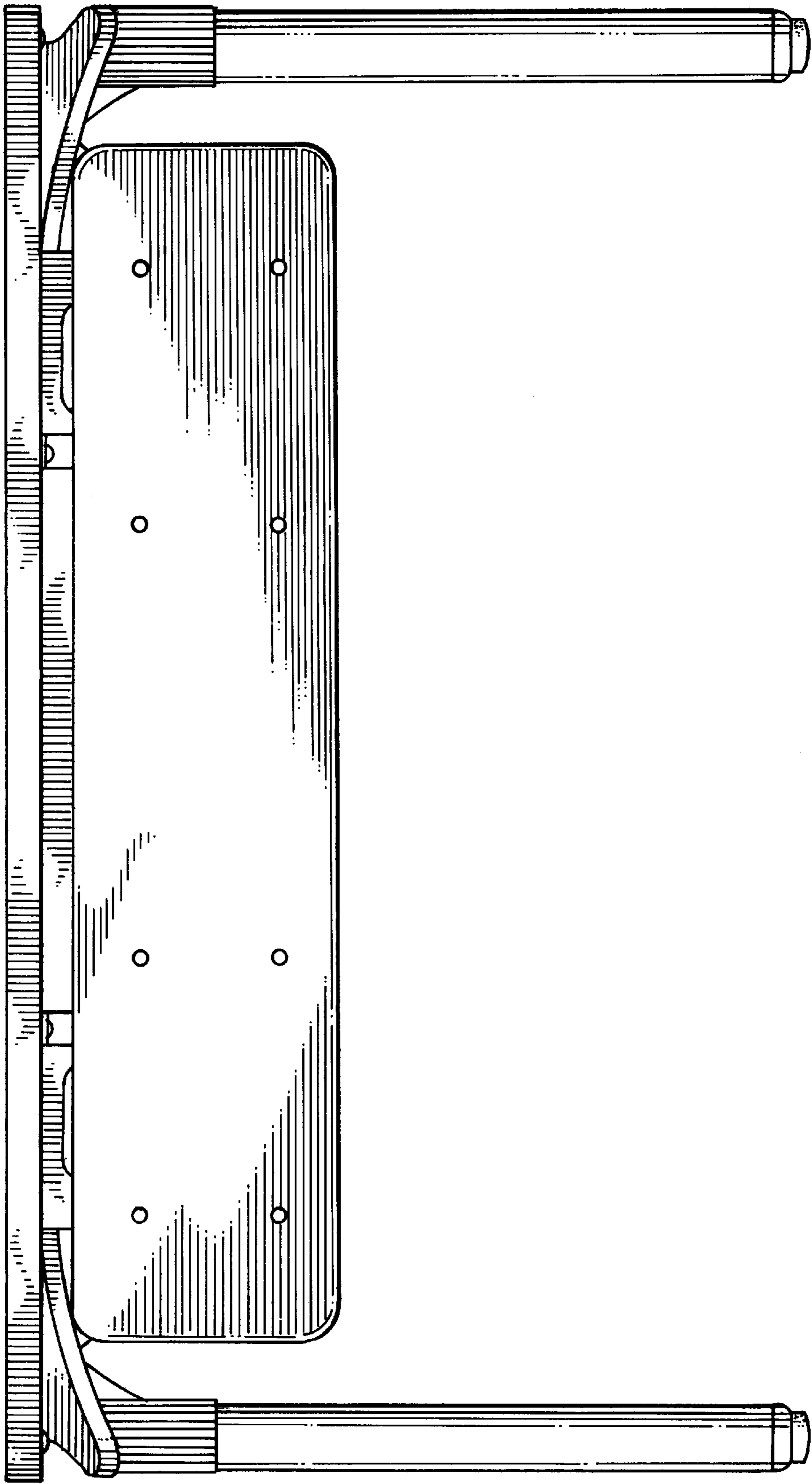


FIG. 2

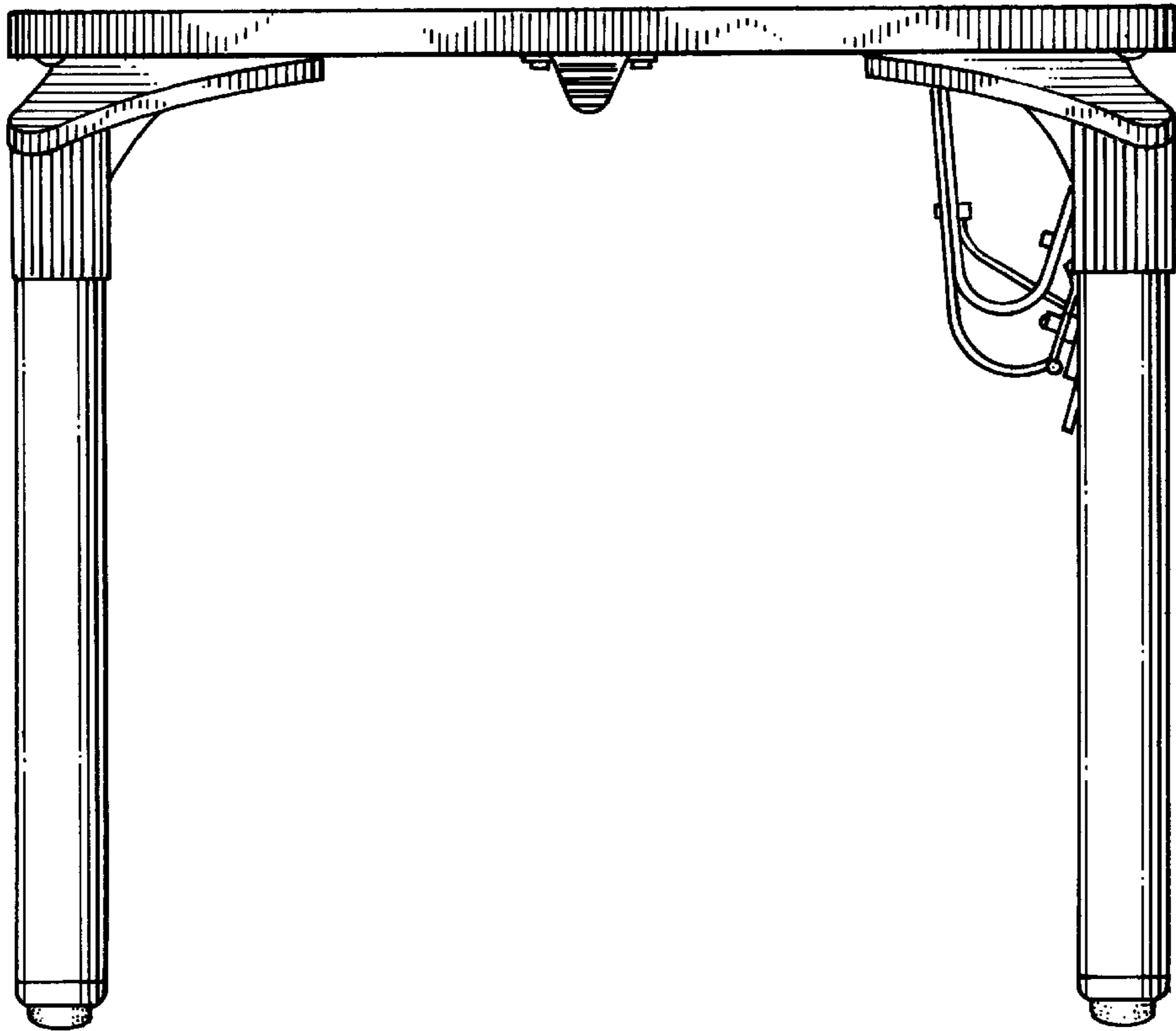


FIG. 3

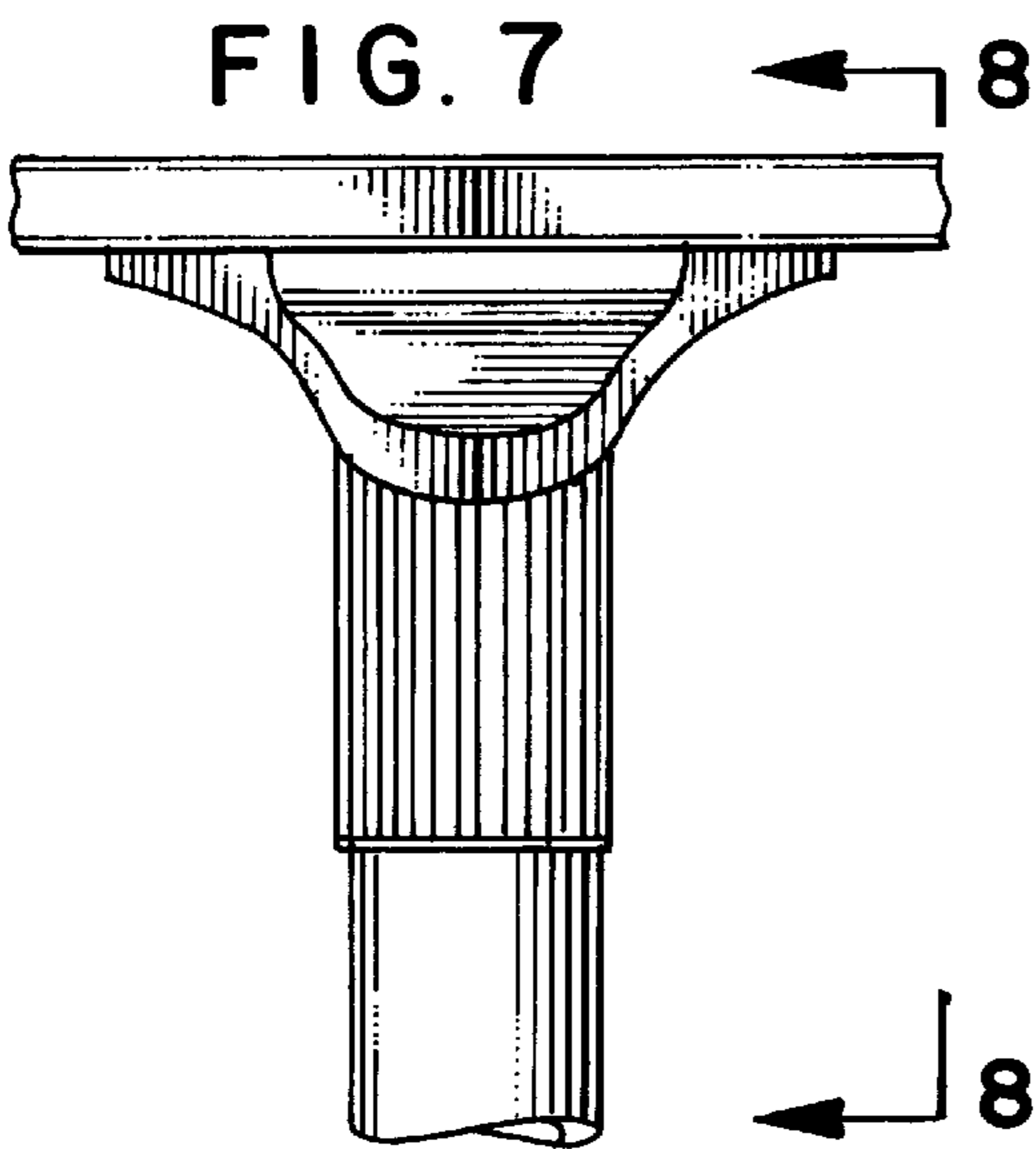


FIG. 7

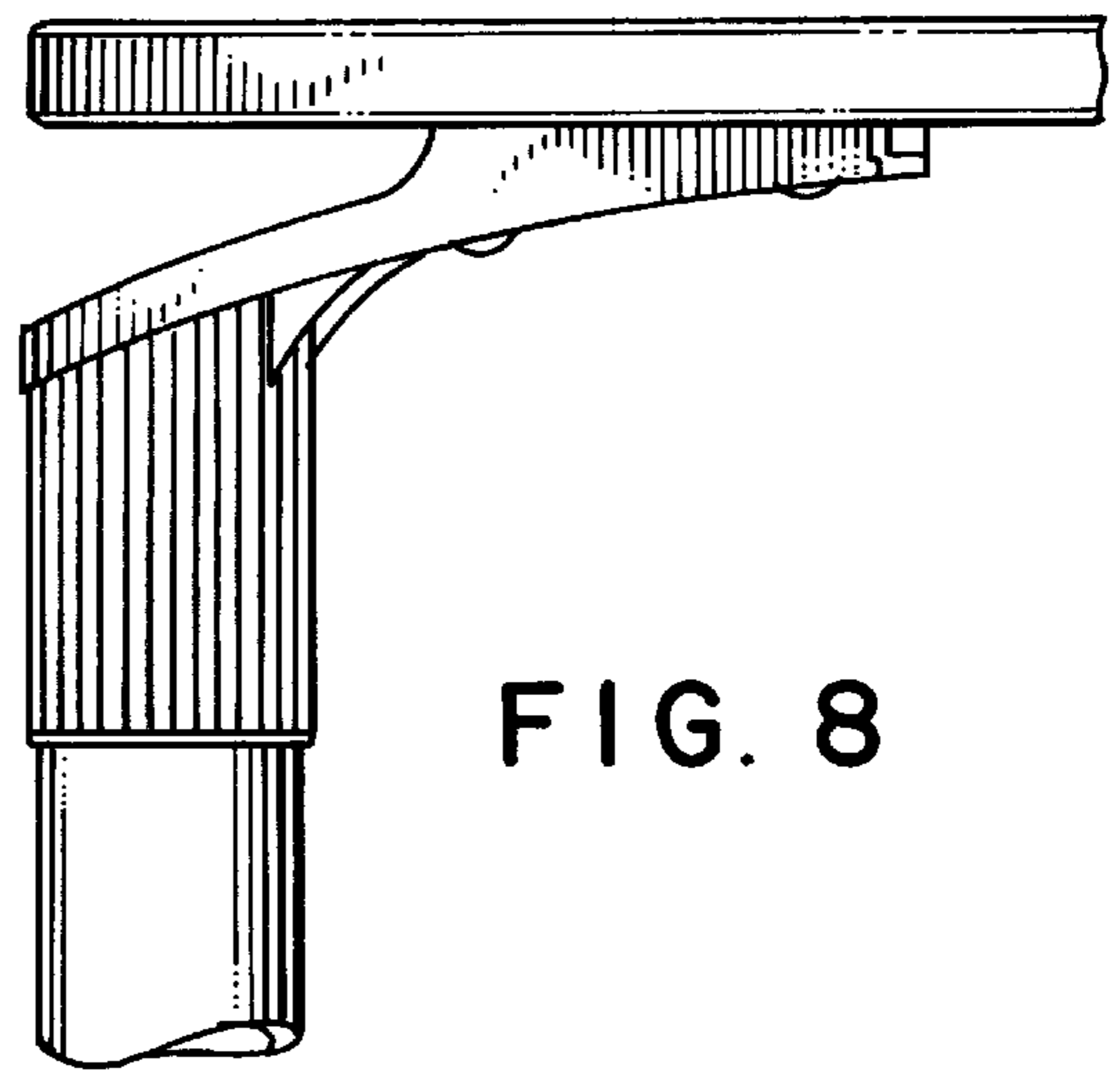


FIG. 8

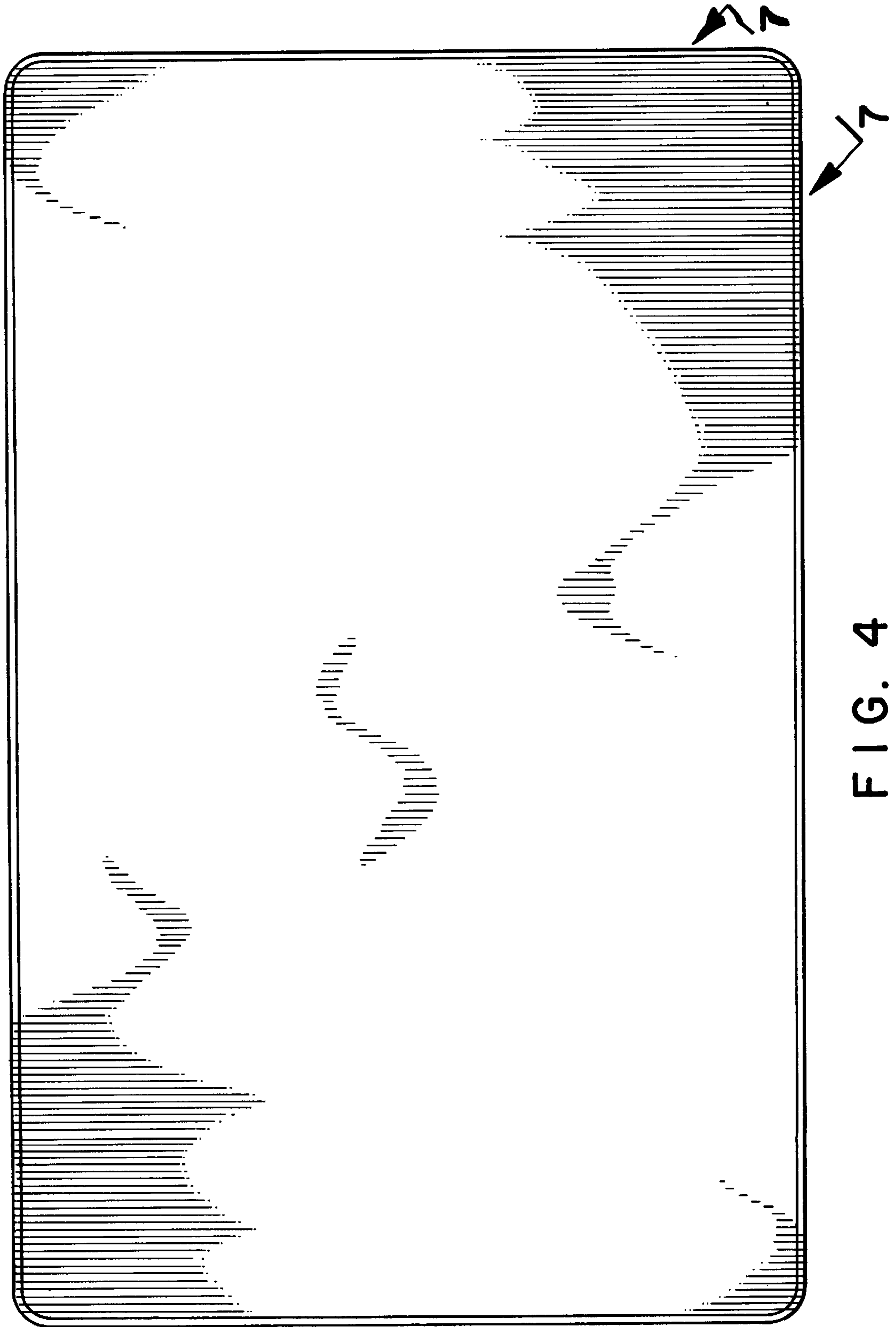


FIG. 4

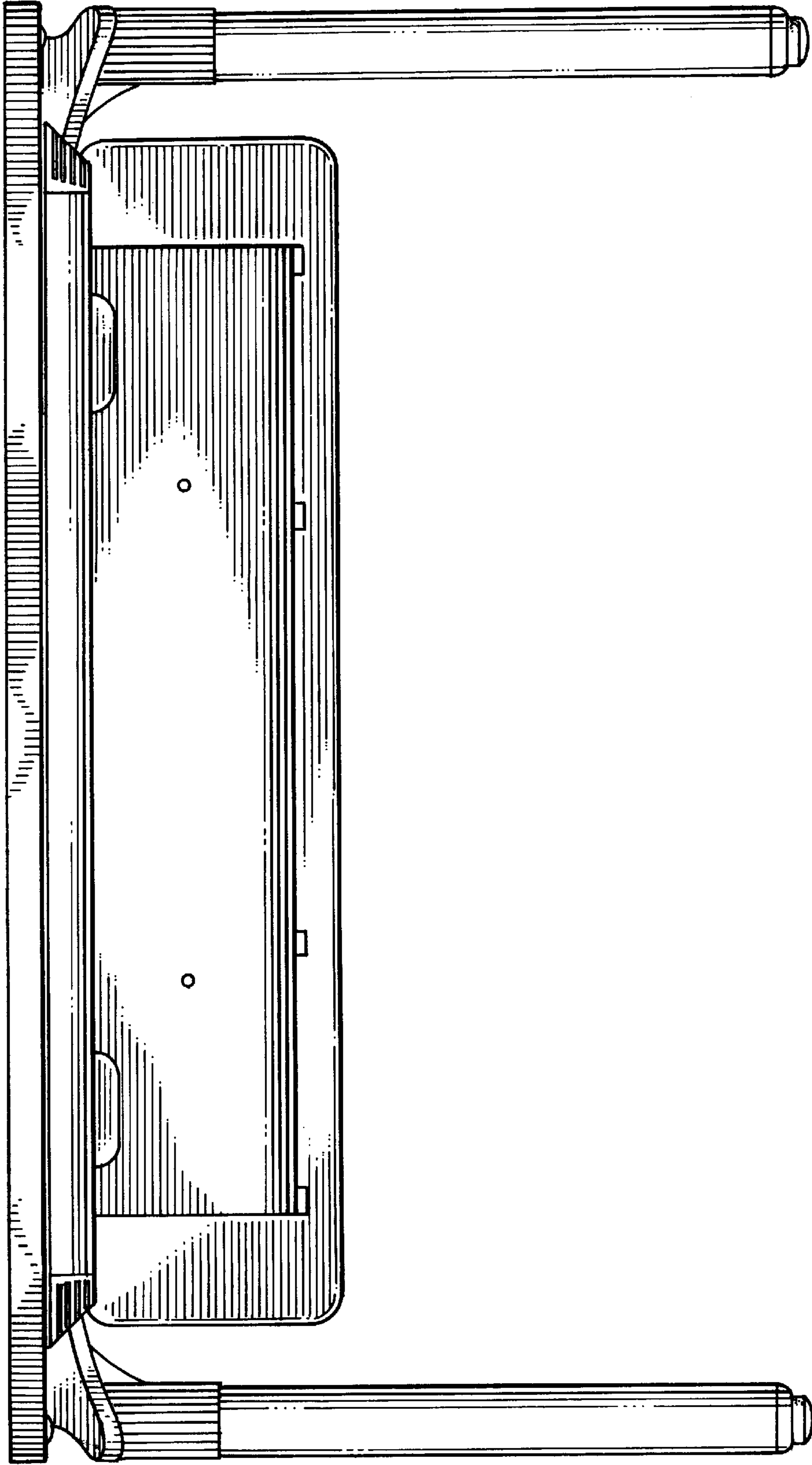


FIG. 5

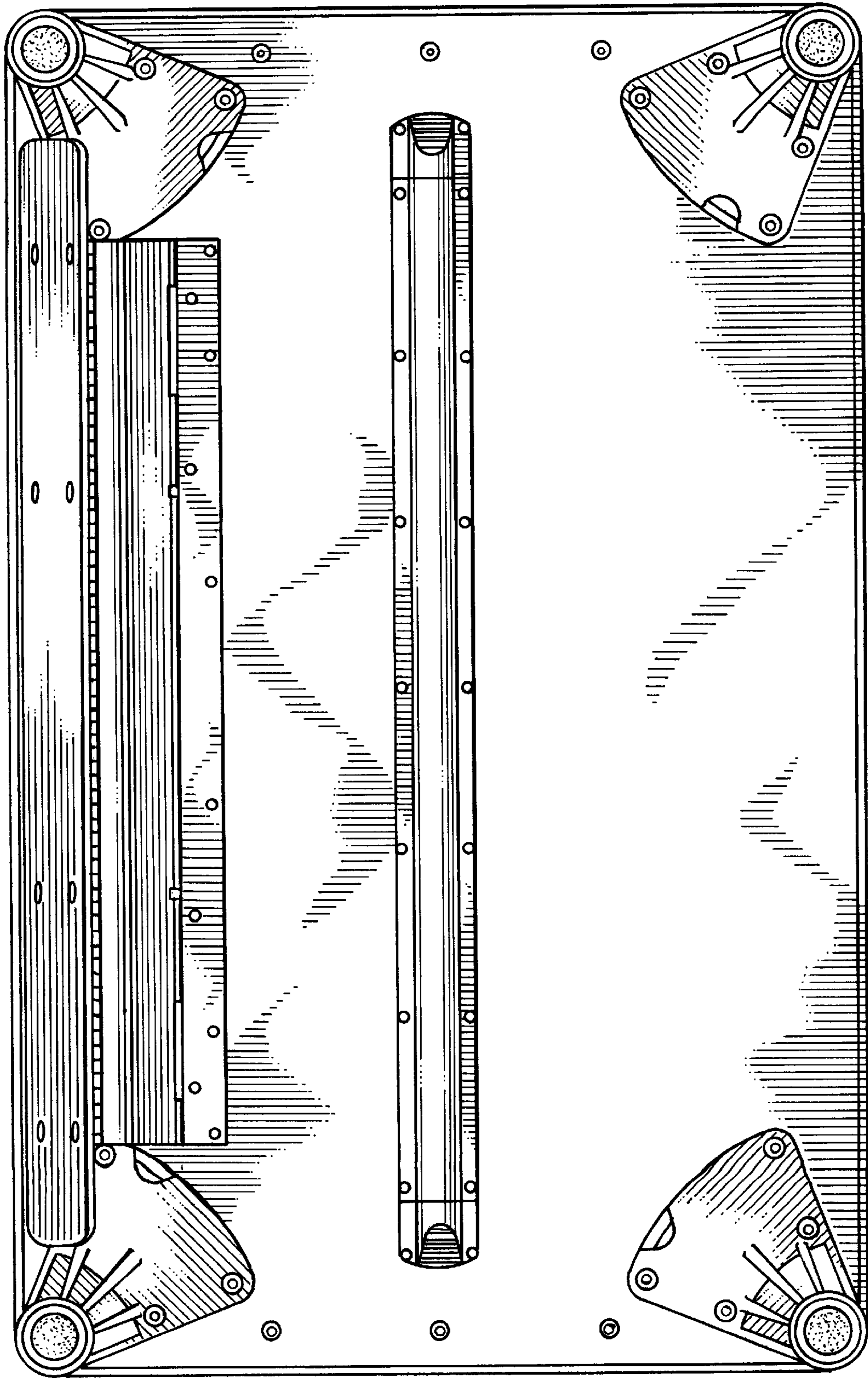


FIG. 6