



US00D417094S

United States Patent [19]
Schwartz

[11] **Patent Number: Des. 417,094**

[45] **Date of Patent: ** Nov. 30, 1999**

[54] **TABLE**

[75] Inventor: **David L. Schwartz**, Florence, Ala.

[73] Assignee: **HON Technology Inc.**, Muscatine, Iowa

[**] Term: **14 Years**

[21] Appl. No.: **29/092,520**

[22] Filed: **Aug. 20, 1998**

[51] **LOC (6) Cl.** **06-03**

[52] **U.S. Cl.** **D6/480**

[58] **Field of Search** D6/480-489, 495-497,
D6/429; 108/150, 153, 156, 157, 161; 248/188,
188.11, 188.8

[56] **References Cited**

U.S. PATENT DOCUMENTS

- D. 238,407 1/1976 Owens D6/485
- D. 352,853 11/1994 Hosoe .
- D. 383,924 9/1997 Dormon et al. .
- D. 388,639 1/1998 Dormon et al. .
- D. 390,381 2/1998 Dormon et al. .
- 3,053,598 9/1962 Cheslow .

- 4,878,439 11/1989 Samson .
- 5,485,795 1/1996 Williams .

OTHER PUBLICATIONS

Intrex Architectural Supplements, Aug. 1, 1977, p. 23, Decatur Conference table.
Domus, Apr. 1991, Gallotti table at top.

Primary Examiner—Janice E. Seeger
Attorney, Agent, or Firm—Jones, Day, Reavis & Pogue

[57] **CLAIM**

The ornamental design for a table, as shown and described.

DESCRIPTION

FIG. 1 is a front perspective view of a table showing my new design;
FIG. 2 is a right side elevational view thereof;
FIG. 3 is a left side elevational view thereof;
FIG. 4 is a rear elevational view thereof;
FIG. 5 is a top plan view thereof;
FIG. 6 is a bottom plan view thereof;
FIG. 7 is a front perspective view of another embodiment of my design; and,
FIG. 8 is a bottom plan view thereof.

1 Claim, 3 Drawing Sheets

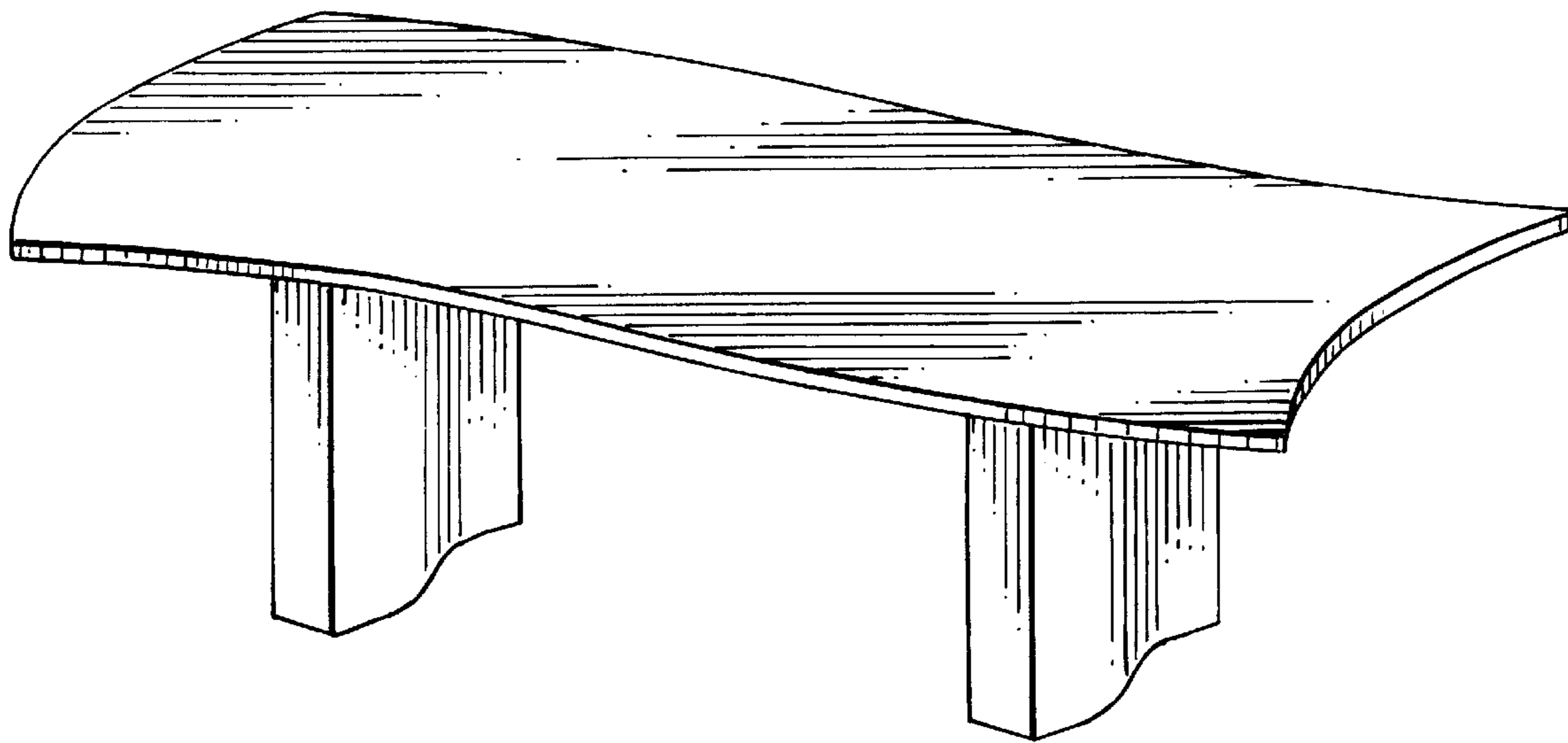


FIG. 1

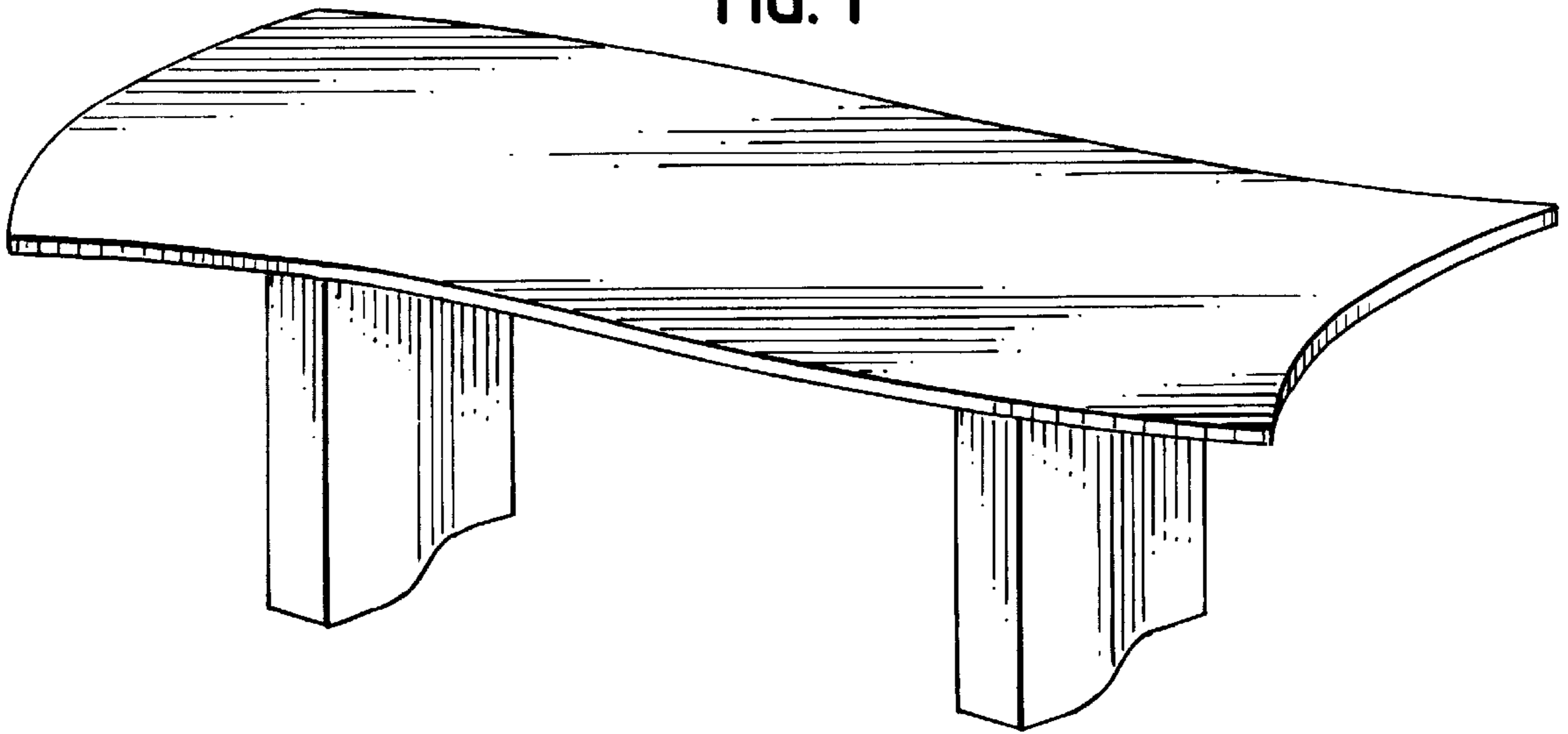


FIG. 2

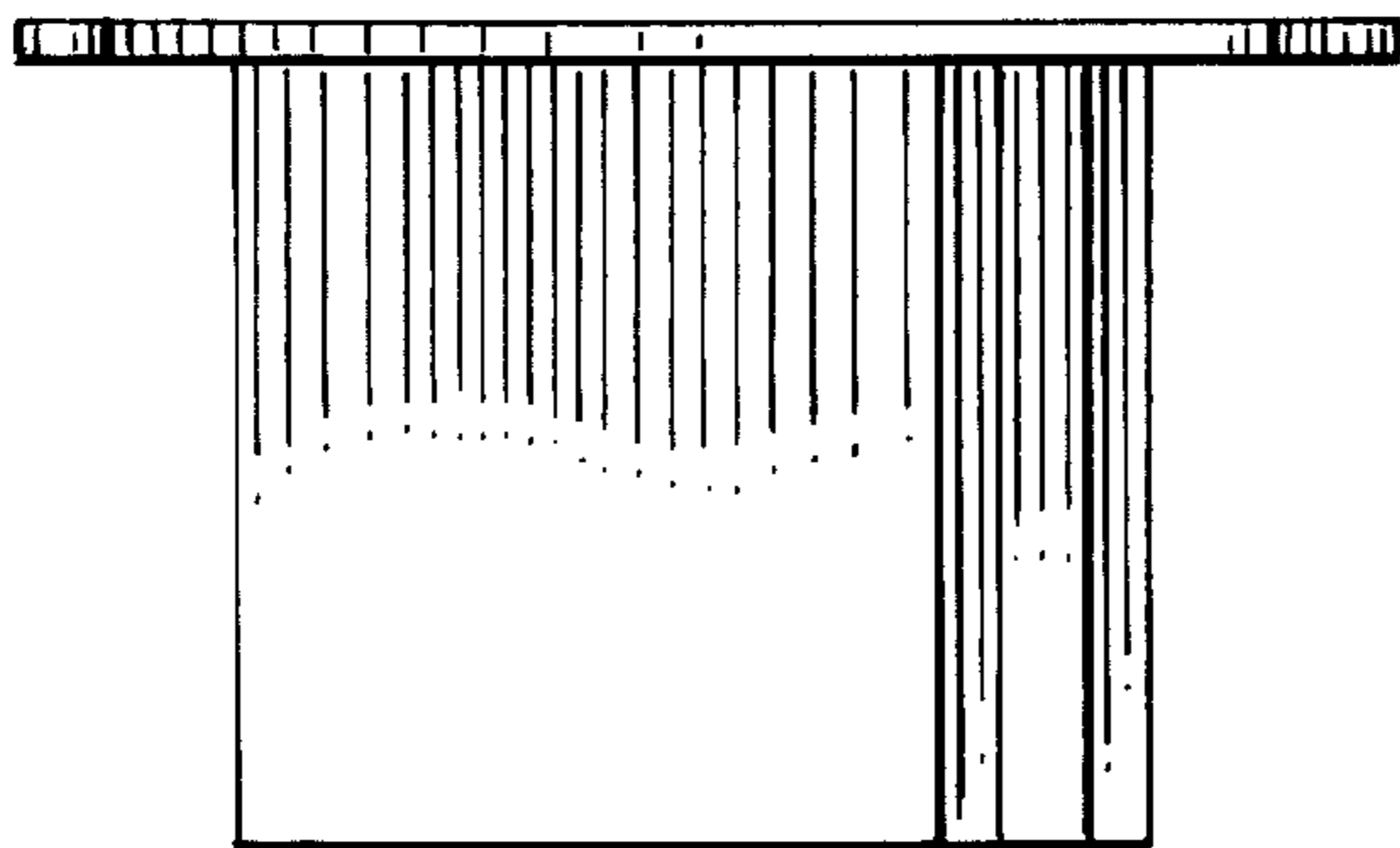


FIG. 3

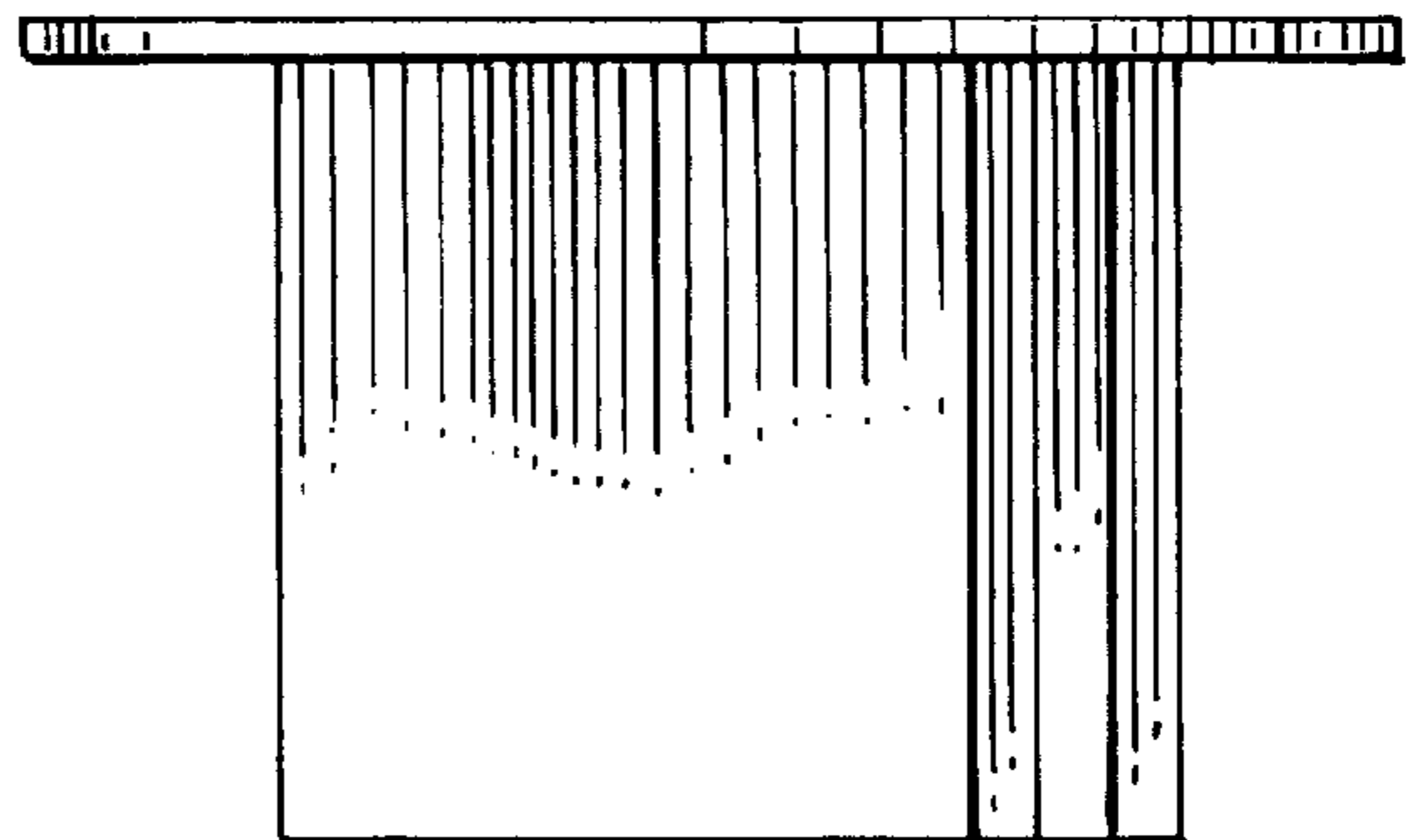


FIG. 4

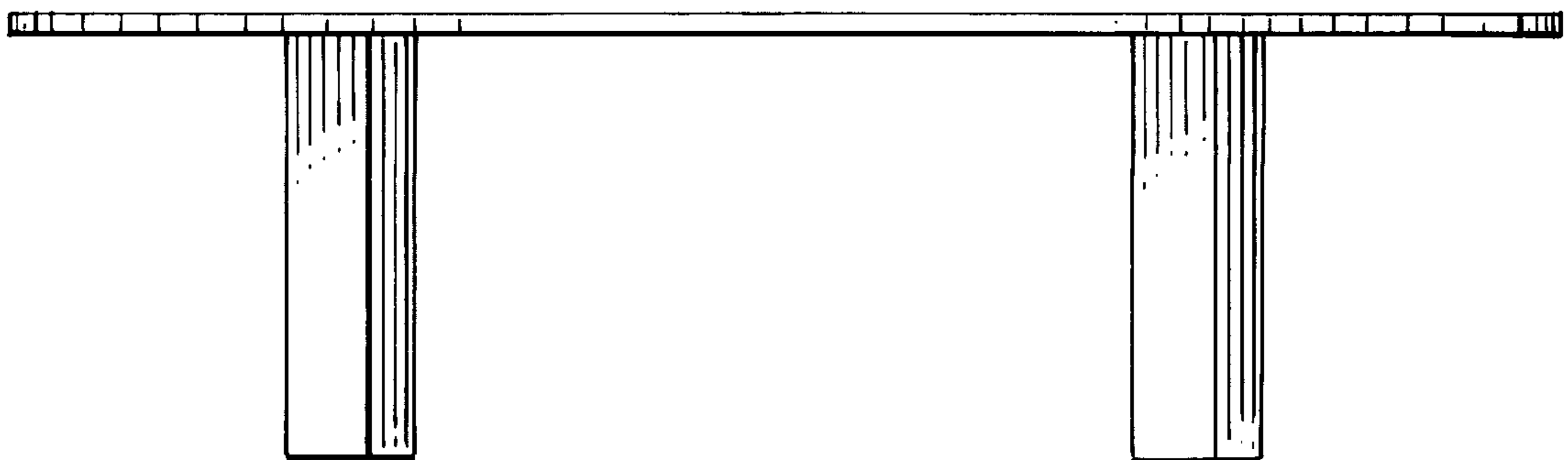


FIG. 5

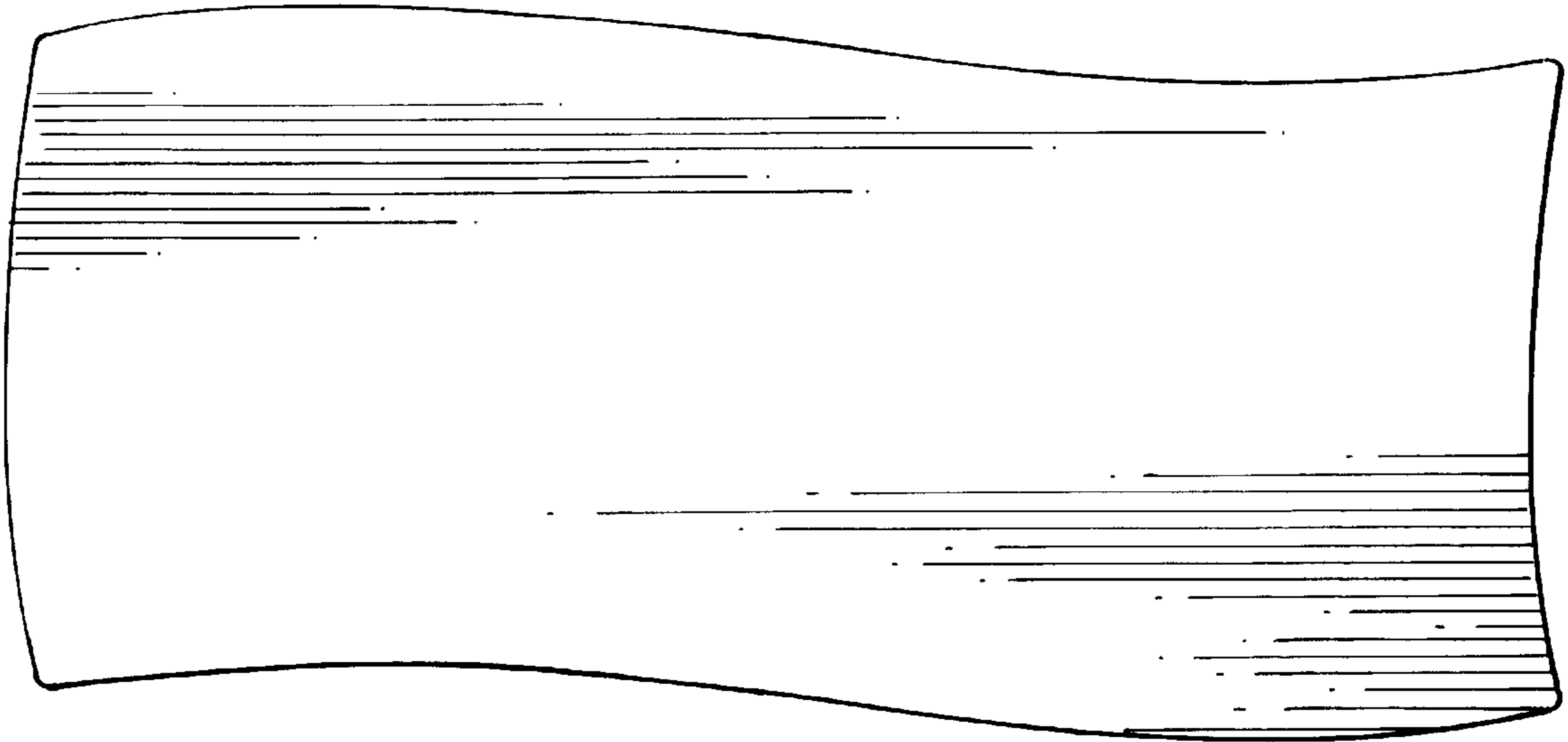


FIG. 6

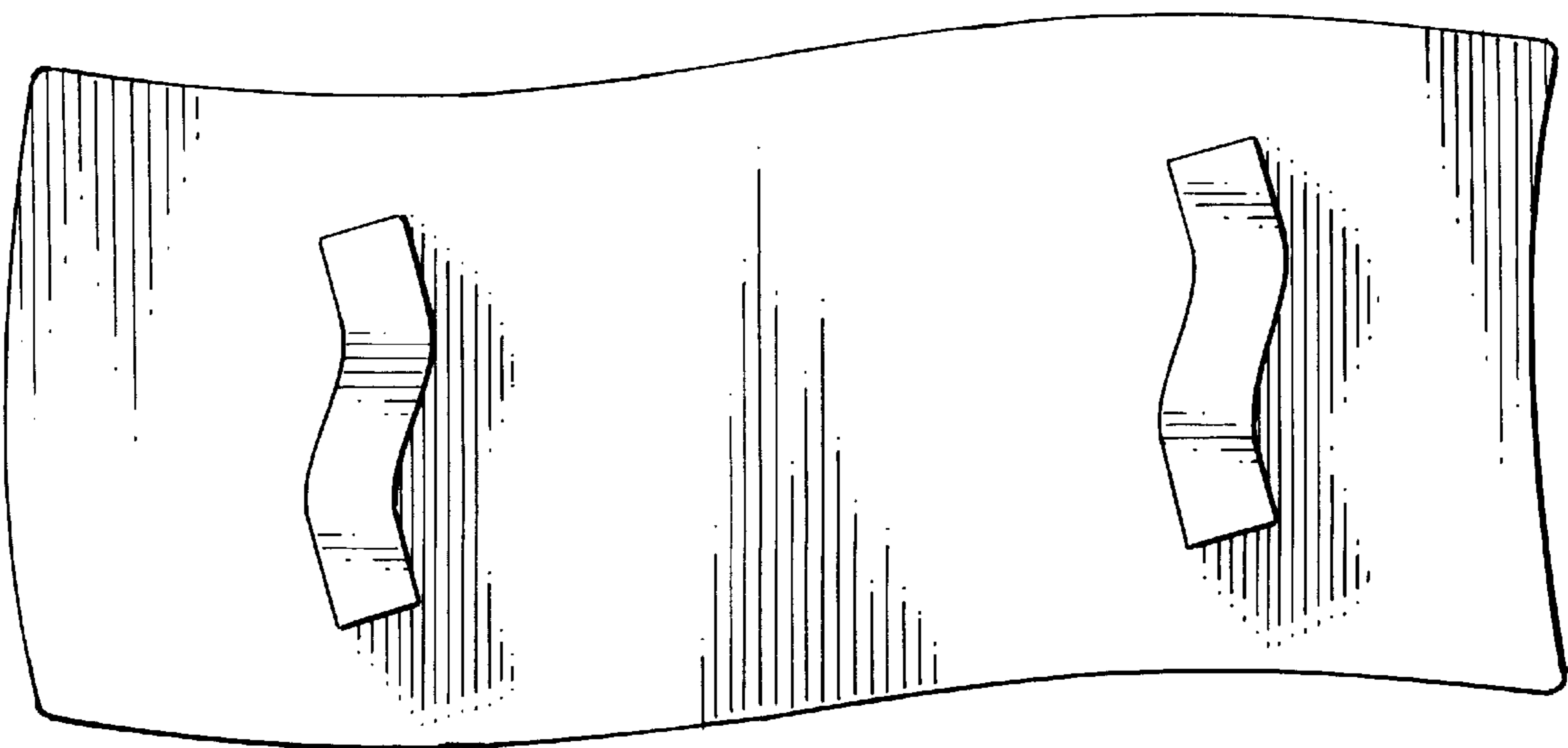


FIG. 7

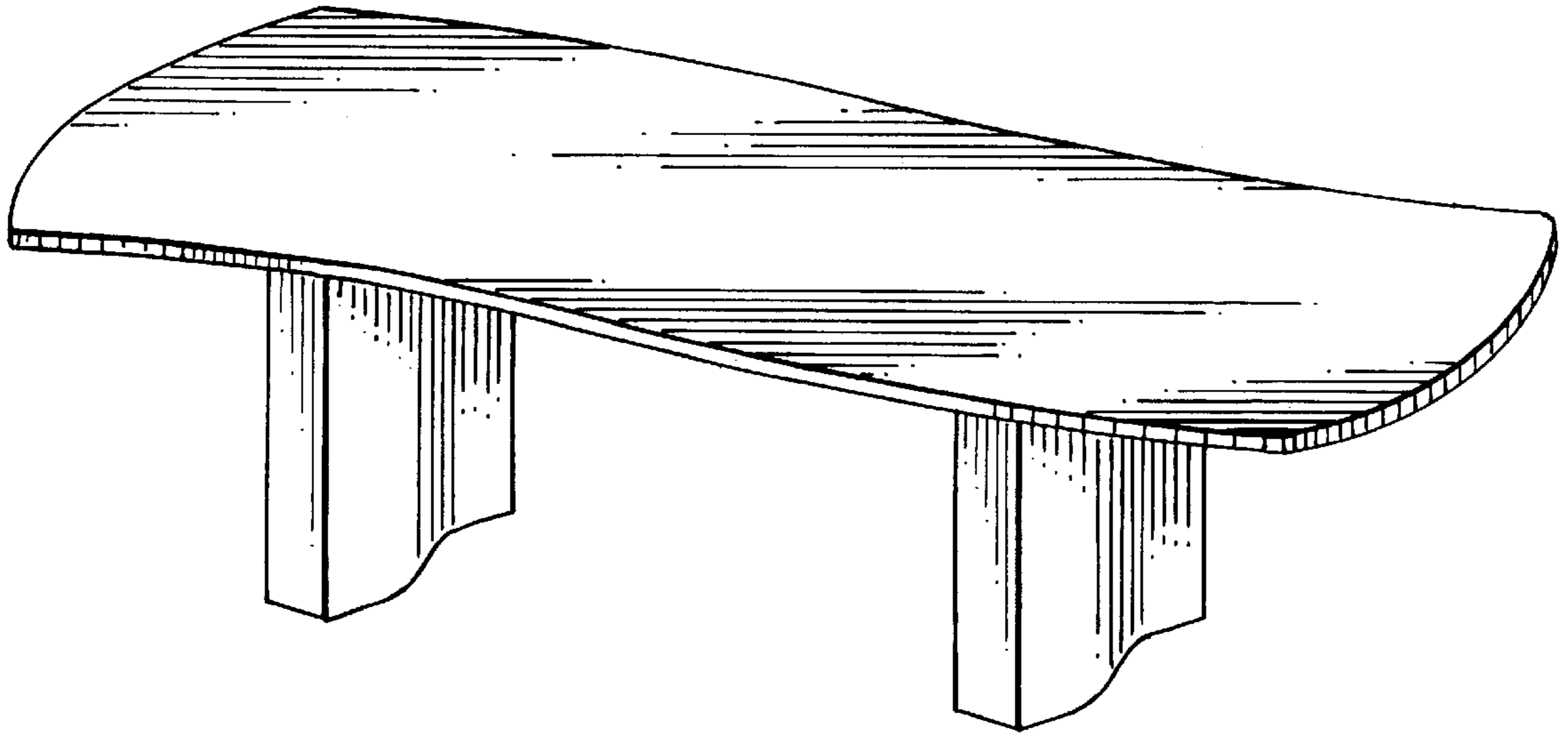


FIG. 8

