



US00D417092S

United States Patent [19]

Talbot

[11] **Patent Number: Des. 417,092**

[45] **Date of Patent: ** Nov. 30, 1999**

[54] **DISC HOLDER**

[75] Inventor: **Shawna Talbot**, Huntington Beach, Calif.

[73] Assignee: **Cosmi Corporation**, Rancho Dominguez, Calif.

[**] Term: **14 Years**

[21] Appl. No.: **29/095,363**

[22] Filed: **Oct. 21, 1998**

[51] **LOC (6) Cl.** **06-04**

[52] **U.S. Cl.** **D6/407**

[58] **Field of Search** D6/407, 626-635, D6/430, 434, 466, 469; D14/120, 121; 206/307, 307.1, 308, 308.1-308.3, 308.11-308.15, 387.17, 387.11-387.15, 457; 211/40, 41.12, 42

[56] **References Cited**

U.S. PATENT DOCUMENTS

D. 323,061 1/1992 Takahashi D14/121

D. 387,217 12/1997 Lakoski et al. D6/407
D. 401,463 11/1998 Cheris et al. D6/634
5,011,010 4/1991 Francis et al. 206/307

Primary Examiner—Doris V. Coles
Assistant Examiner—Linda Brooks
Attorney, Agent, or Firm—Lyon & Lyon LLP

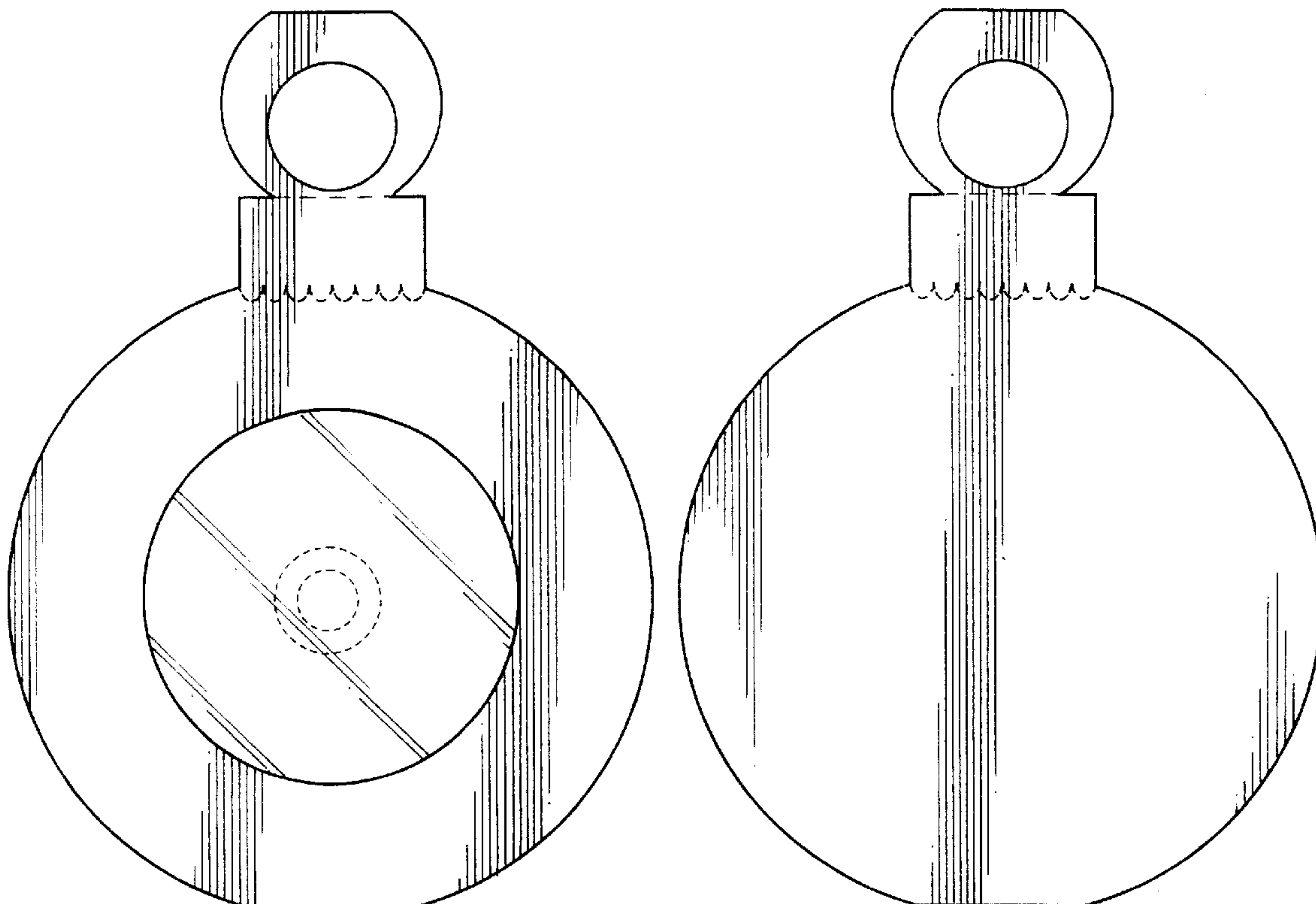
[57] **CLAIM**

The ornamental design for a disc holder, as shown and described.

DESCRIPTION

FIG. 1 is a front view of the disc holder.
FIG. 2 is a side view of the disc holder (the other side being identical).
FIG. 3 is a back view.
FIG. 4 is a top view of the disc holder; and,
FIG. 5 is a bottom view of the disc holder.
The broken line features shown in FIGS. 1 and 3 are for illustrative purposes only and forms no part of the claimed design.

1 Claim, 1 Drawing Sheet



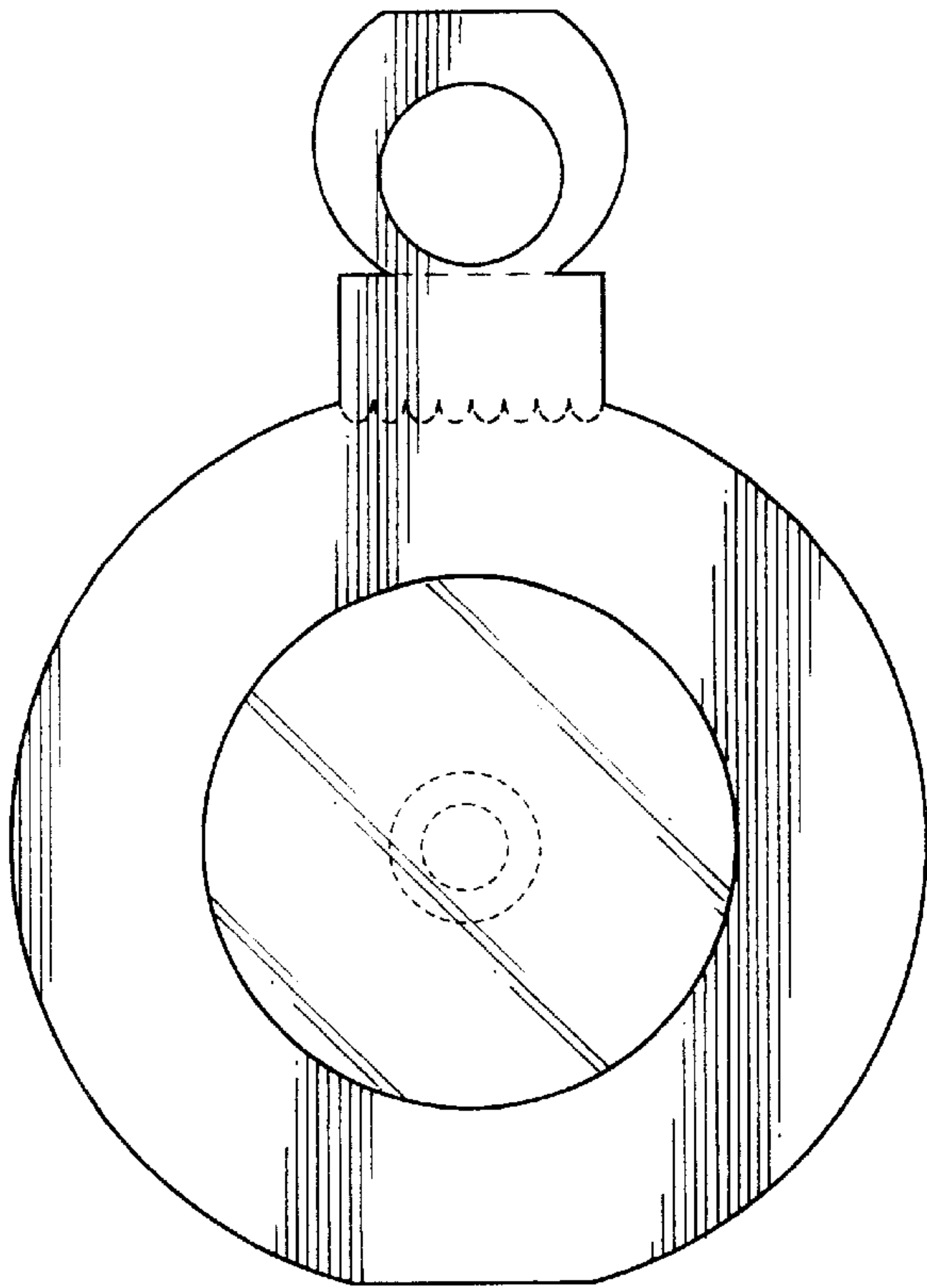


Fig. 1

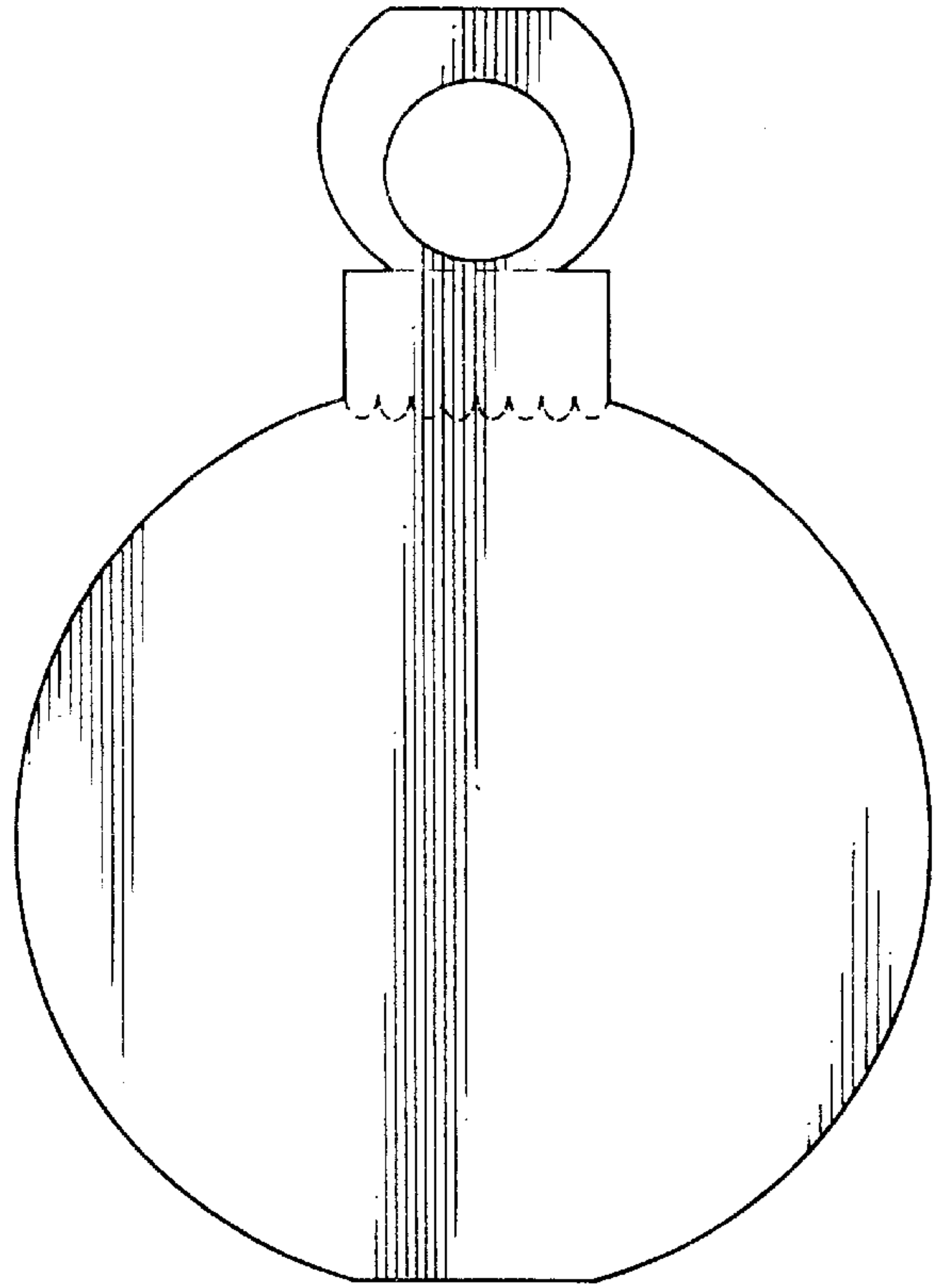


Fig. 3

Fig. 2



Fig. 4



Fig. 5