



US00D417091S

United States Patent [19]
Shirakami et al.

[11] **Patent Number: Des. 417,091**
[45] **Date of Patent: ** Nov. 30, 1999**

[54] **AUDIO CASSETTE TAPE CASE**

[75] Inventors: **Keita Shirakami; Kazushi Kirihara,**
both of Tokyo, Japan

[73] Assignee: **Sony Kabushiki Kaisha,** Tokyo, Japan

[**] Term: **14 Years**

[21] Appl. No.: **29/063,963**

[22] Filed: **Dec. 19, 1996**

[30] **Foreign Application Priority Data**

Jul. 5, 1996 [JP] Japan 8-19904

[51] **LOC (6) Cl.** **06-04**

[52] **U.S. Cl.** **D6/407; D6/632**

[58] **Field of Search** D6/632, 407; 206/308,
206/309, 310, 311, 312, 313, 349, 387,
387.1, 444

[56] **References Cited**

U.S. PATENT DOCUMENTS

D. 238,401 1/1976 Ackeret D6/407 X

D. 278,856 5/1985 Bodourian et al. D6/407
D. 334,467 4/1993 Hata D6/632
4,856,653 8/1989 Ackeret 206/387.1
5,560,481 10/1996 Doodson et al. 206/387.1

Primary Examiner—Doris V. Coles
Attorney, Agent, or Firm—Morgan & Finnegan LLP

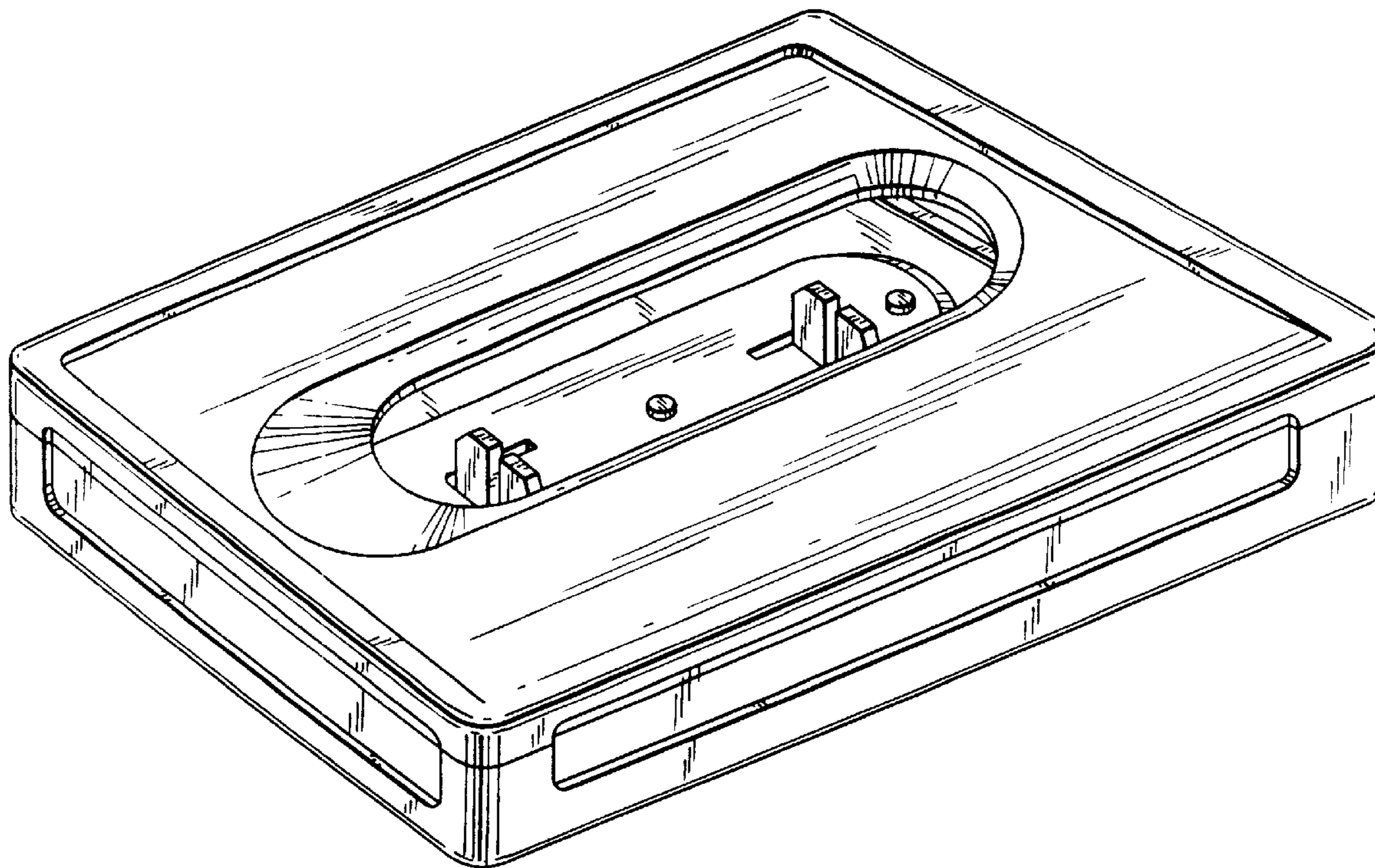
[57] **CLAIM**

The ornamental design for the audio cassette tape case, as shown and described.

DESCRIPTION

FIG. 1 is a front perspective view of the audio cassette tape case in accordance with present invention.
FIG. 2 is a top plan view thereof.
FIG. 3 is a bottom plan view thereof.
FIG. 4 is a front elevation view thereof.
FIG. 5 is a rear elevation view thereof.
FIG. 6 is a left side elevation view thereof; and,
FIG. 7 is a right side view thereof.

1 Claim, 3 Drawing Sheets



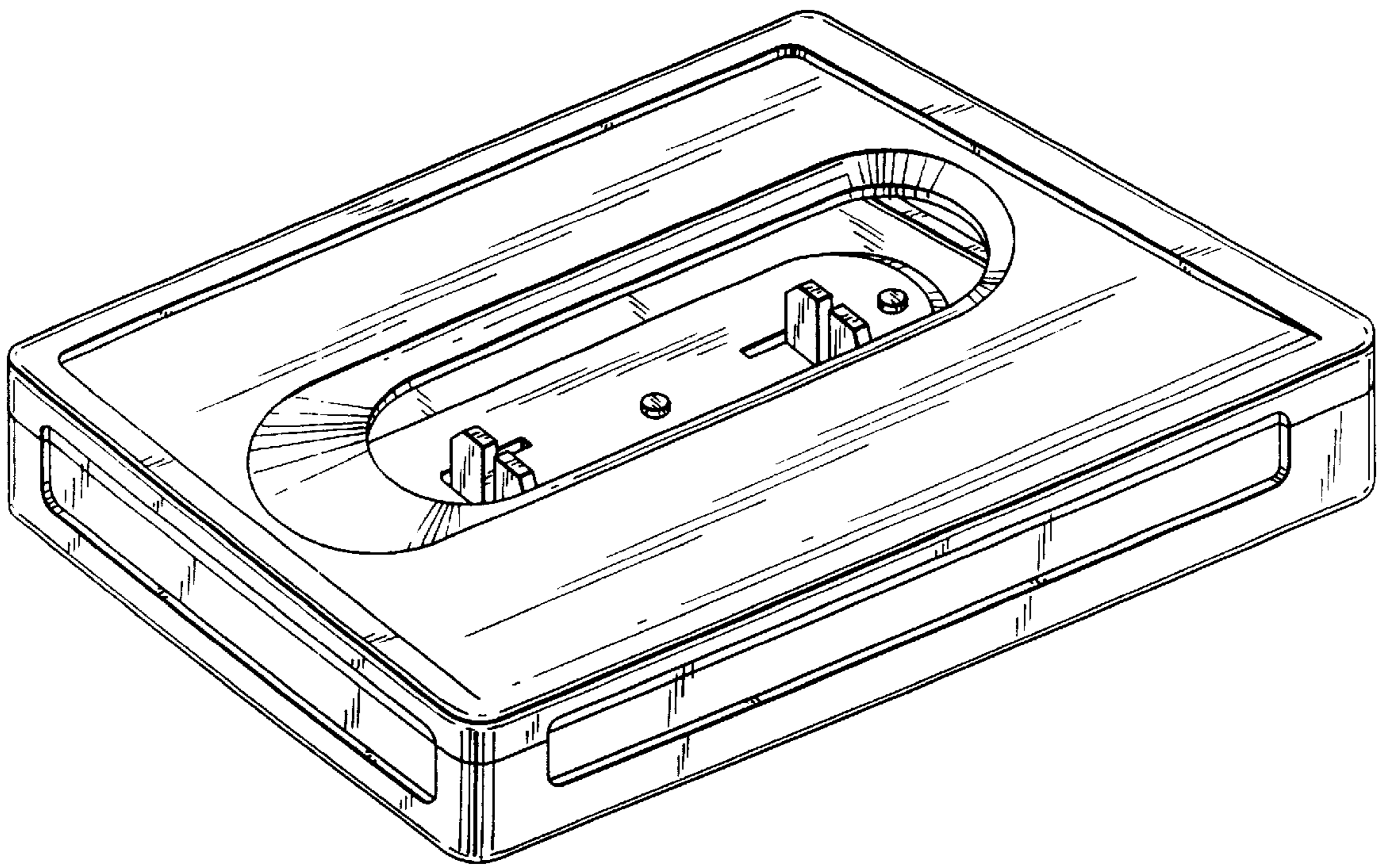


FIG. 1

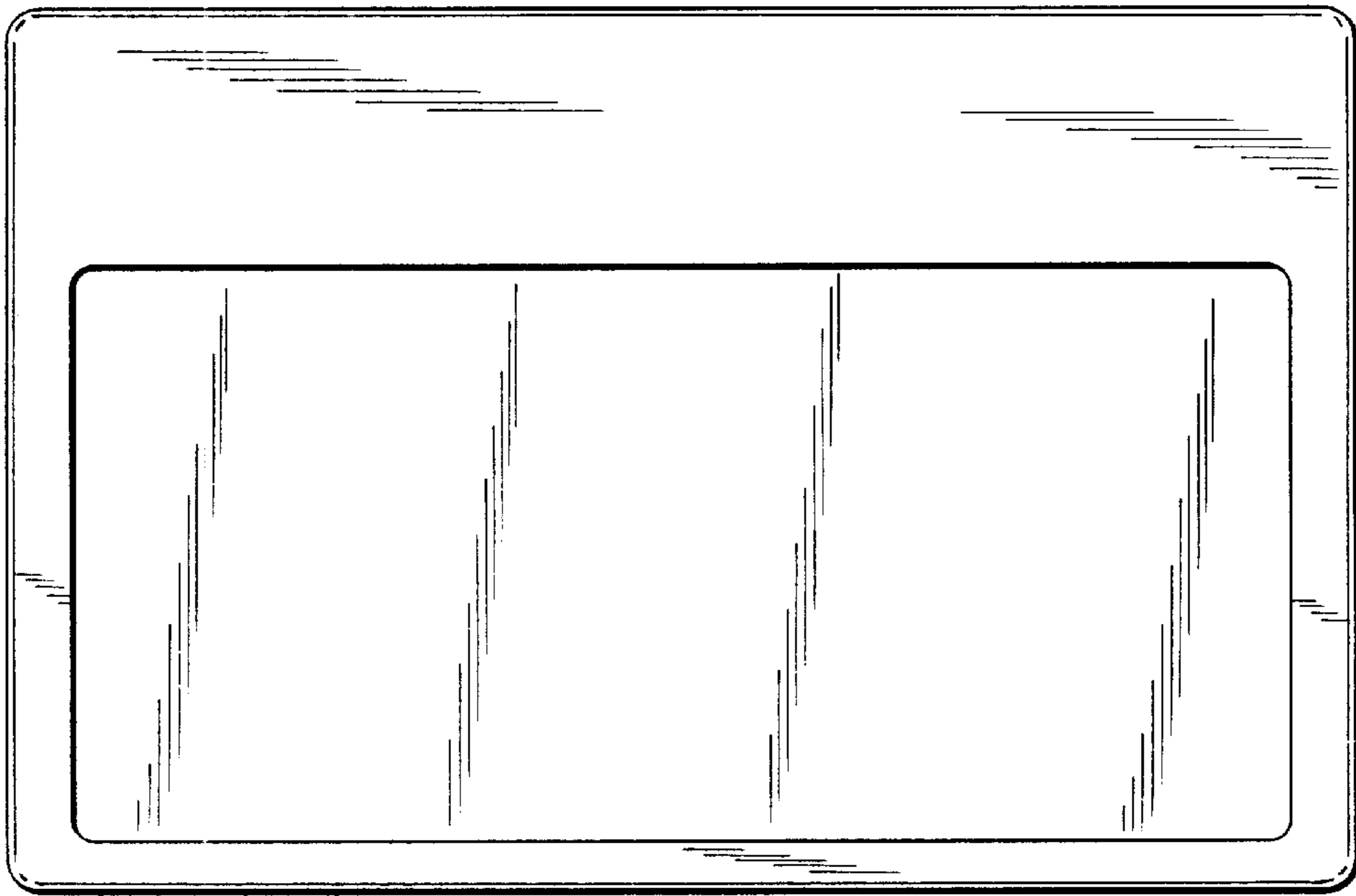


FIG. 2

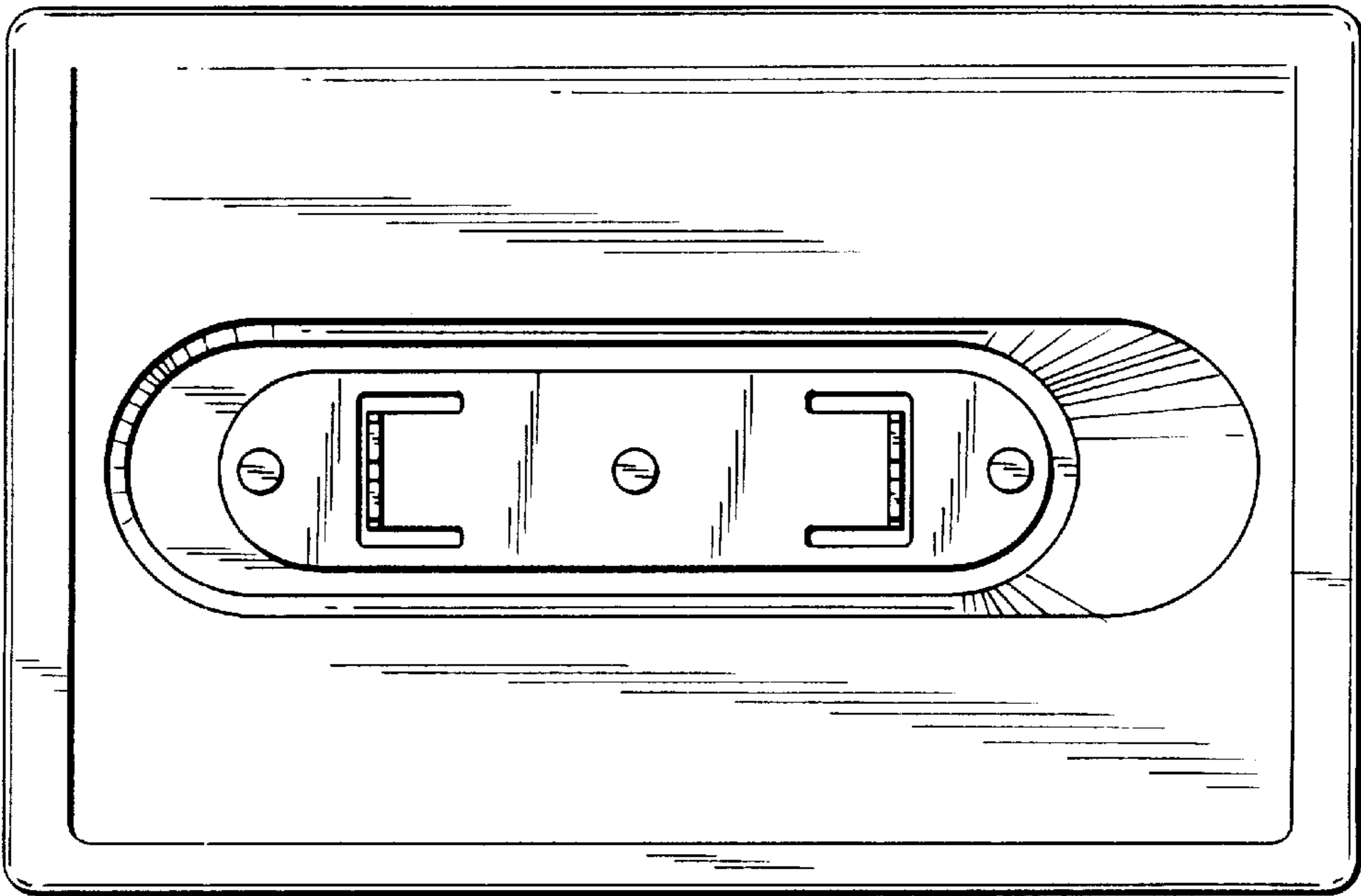


FIG. 3

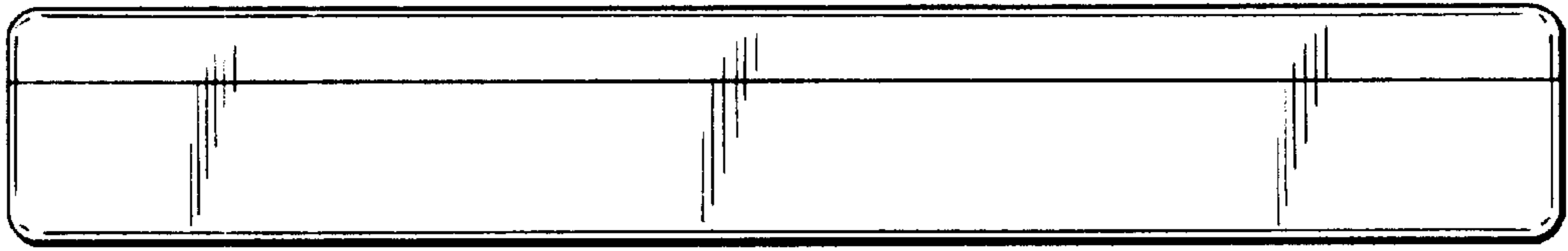


FIG. 4

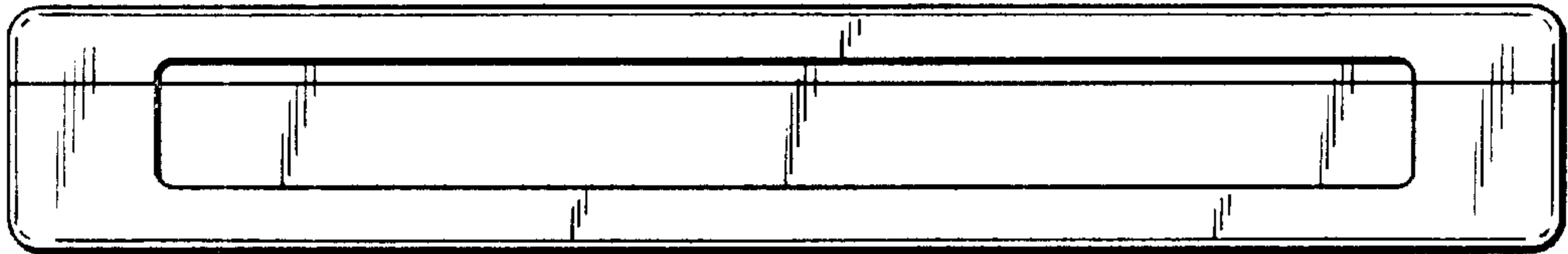


FIG. 5



FIG. 6

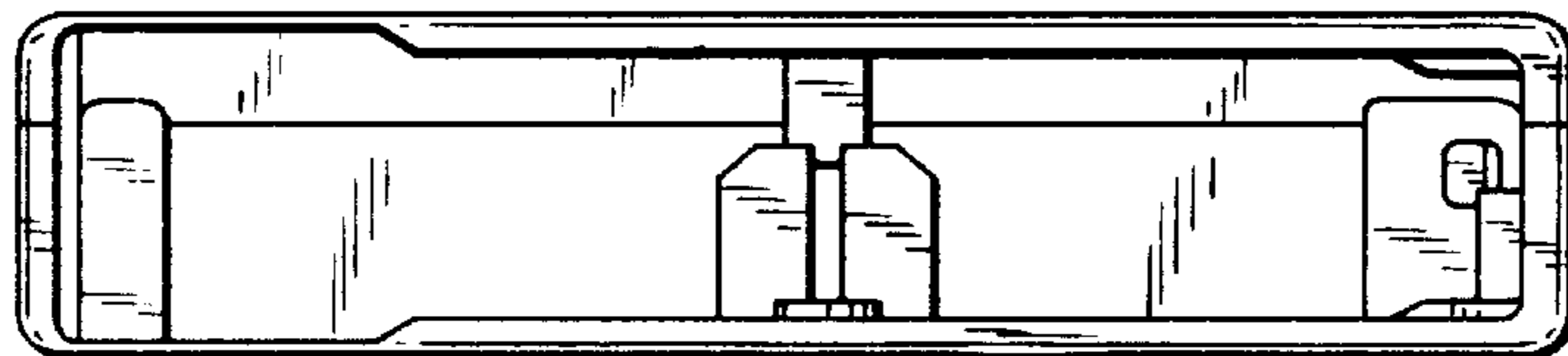


FIG. 7