



US00D417090S

United States Patent [19]
Reynolds

[11] **Patent Number: Des. 417,090**

[45] **Date of Patent: ** Nov. 30, 1999**

[54] **CIRCULAR BABY CRIB**

Attorney, Agent, or Firm—Thomas M. Freiburger

[75] Inventor: **Jade Reynolds**, Goodlettsville, Tenn.

[57] **CLAIM**

[73] Assignee: **Jadeland, Inc.**, Nashville, Tenn.

The ornamental design for a circular baby crib, as shown and described.

[**] Term: **14 Years**

[21] Appl. No.: **29/072,231**

DESCRIPTION

[22] Filed: **May 5, 1997**

FIG. 1 is a frontal perspective view of a circular baby crib according to my new design, the rear of the design being similar;

[51] **LOC (6) Cl.** **06-01**

[52] **U.S. Cl.** **D6/390; D6/389**

FIG. 2 is a side perspective view showing my new design, the opposite side being similar;

[58] **Field of Search** D6/382–384, 388–395;
5/2.1, 279.1, 280, 93.1, 97, 99.1, 100, 907

FIG. 3 is a perspective view from a position showing the front and side of my new design;

[56] **References Cited**

U.S. PATENT DOCUMENTS

D. 224,822	9/1972	Lee, Jr.	D6/390
D. 227,626	7/1973	Ferguson	D6/390
D. 232,279	8/1974	White	D6/390
3,921,233	11/1975	Mann	5/97

FIG. 4 is a perspective view from inside the circular baby crib, looking outward toward the front, the view of the design in the opposite direction being similar;

FIG. 5 is a top plan view showing my new design; and,

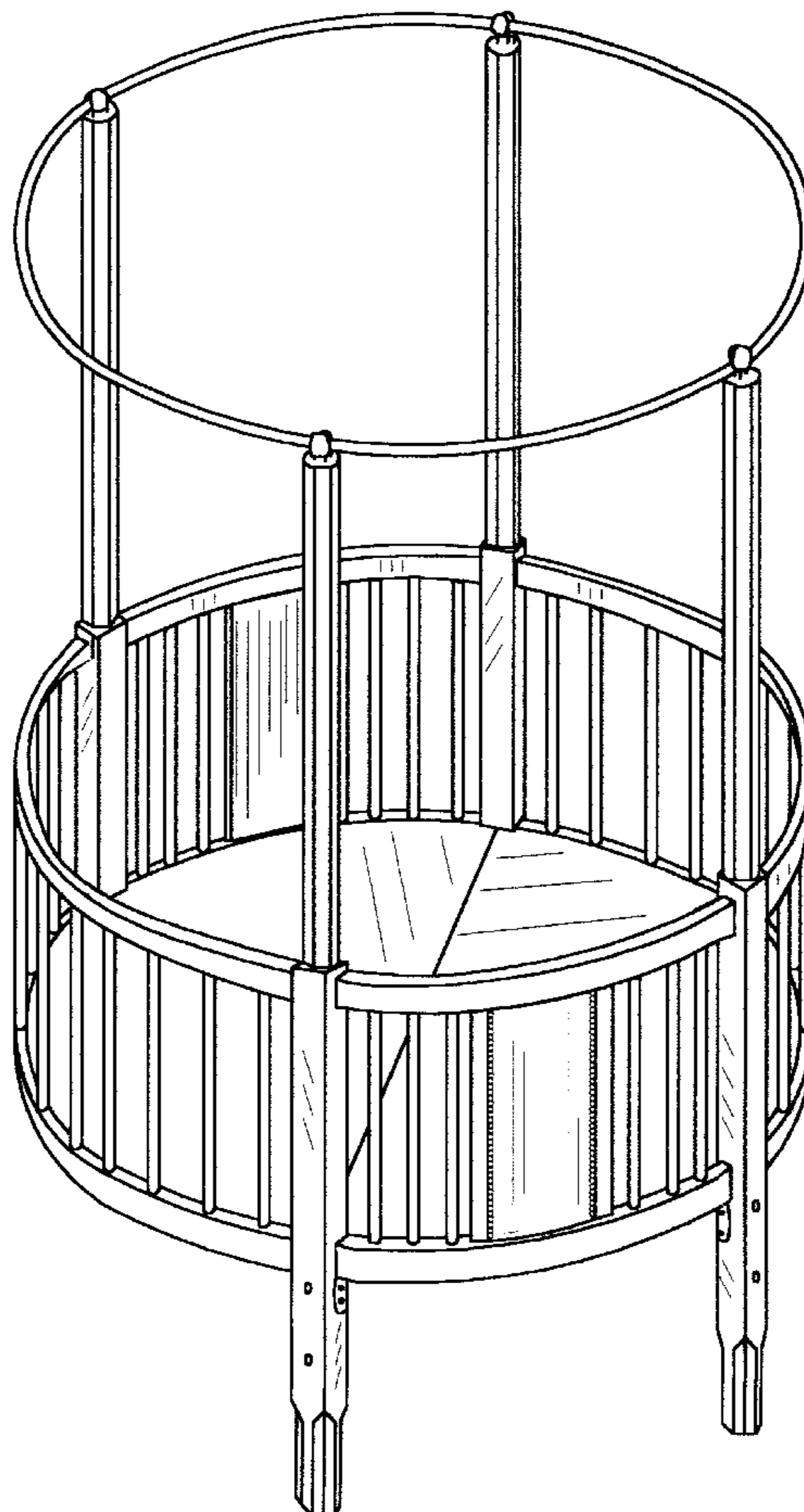
FIG. 6 is a top plan view, in perspective, showing my new design.

OTHER PUBLICATIONS

Flyer from The Round Crib Co. (subsidiary of Rock-A-Bye Baby, Inc.), showing a circular crib (undated).

Primary Examiner—Janice E. Seeger

1 Claim, 5 Drawing Sheets



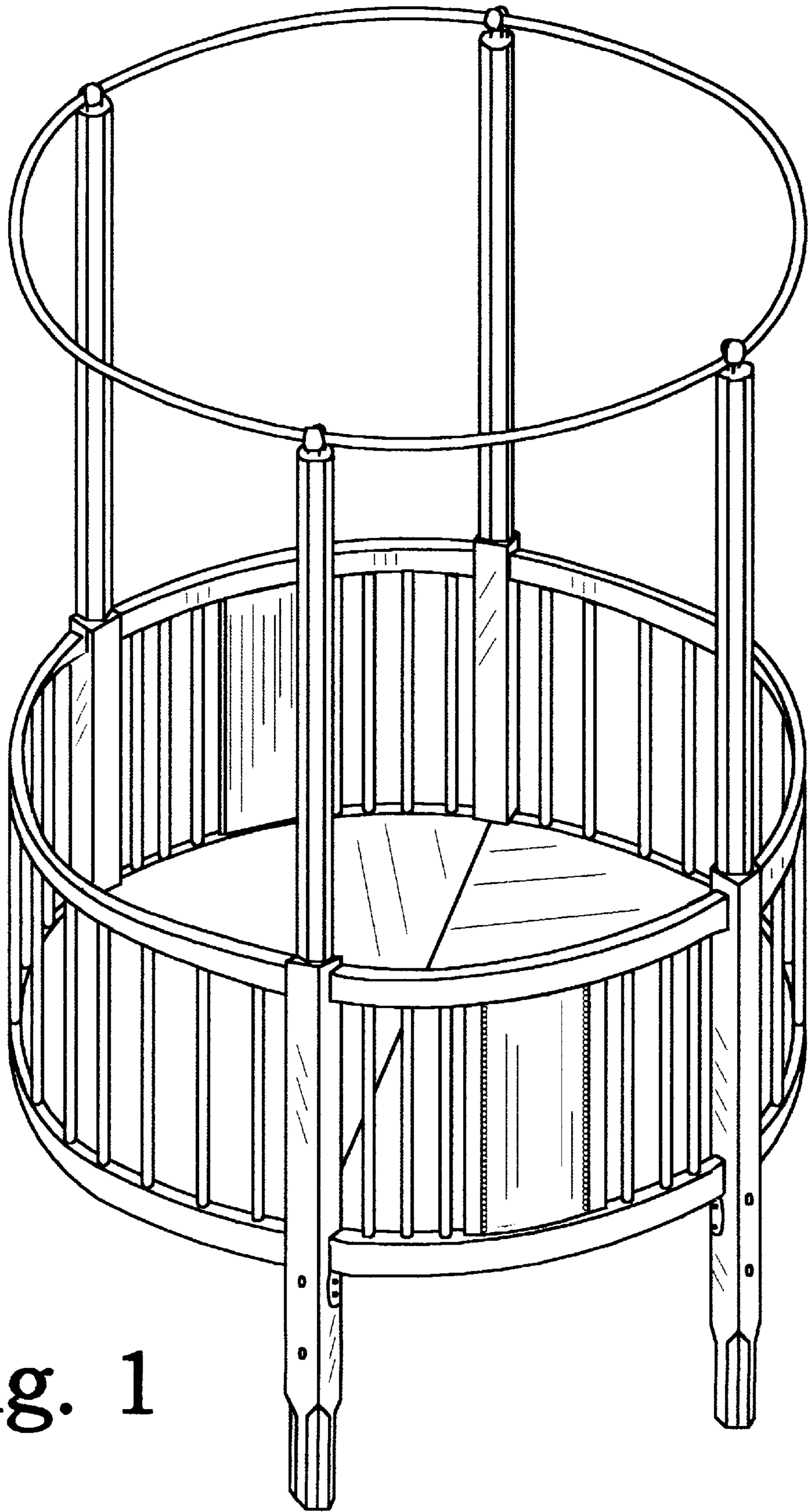


Fig. 1

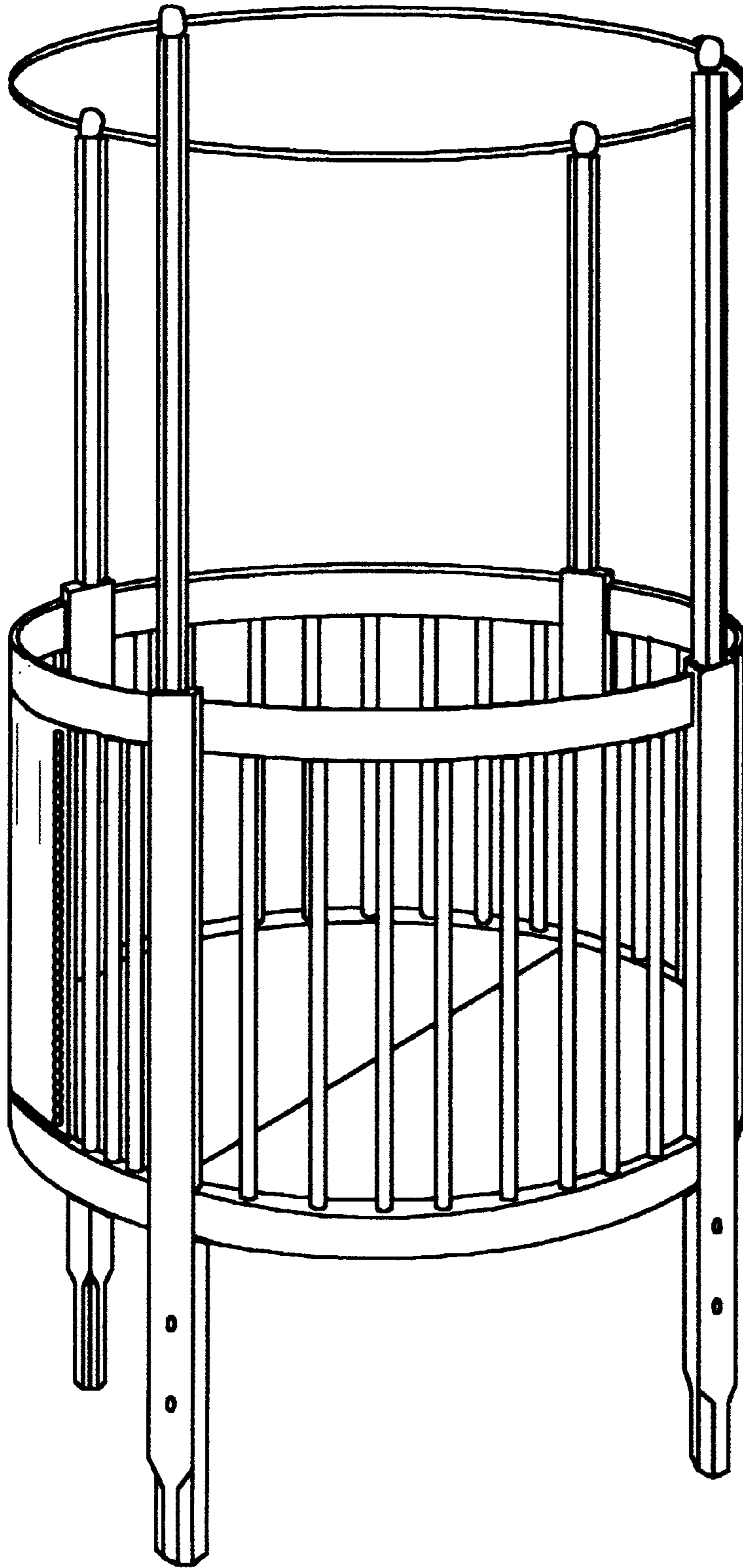


Fig. 2

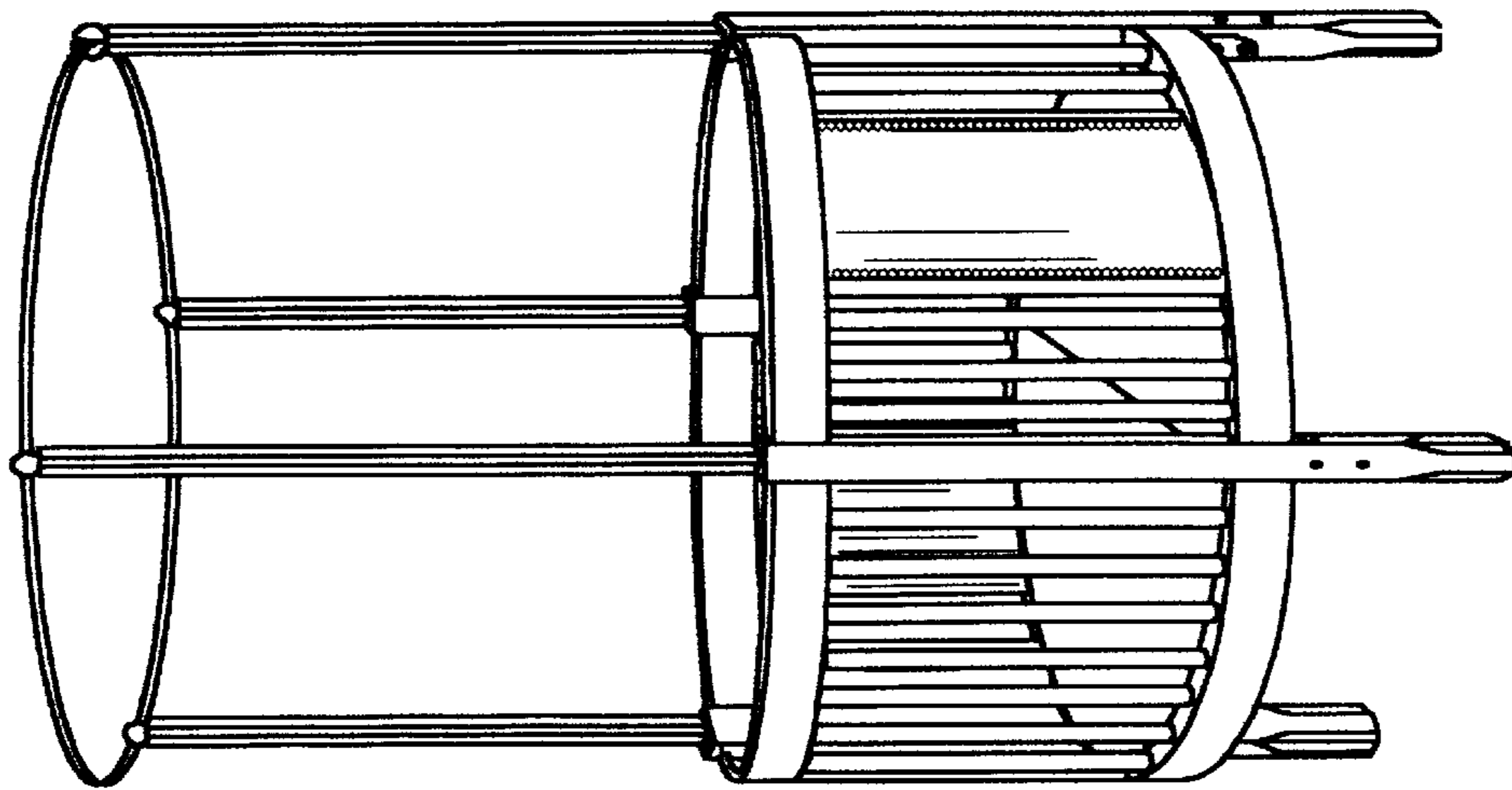


Fig. 3

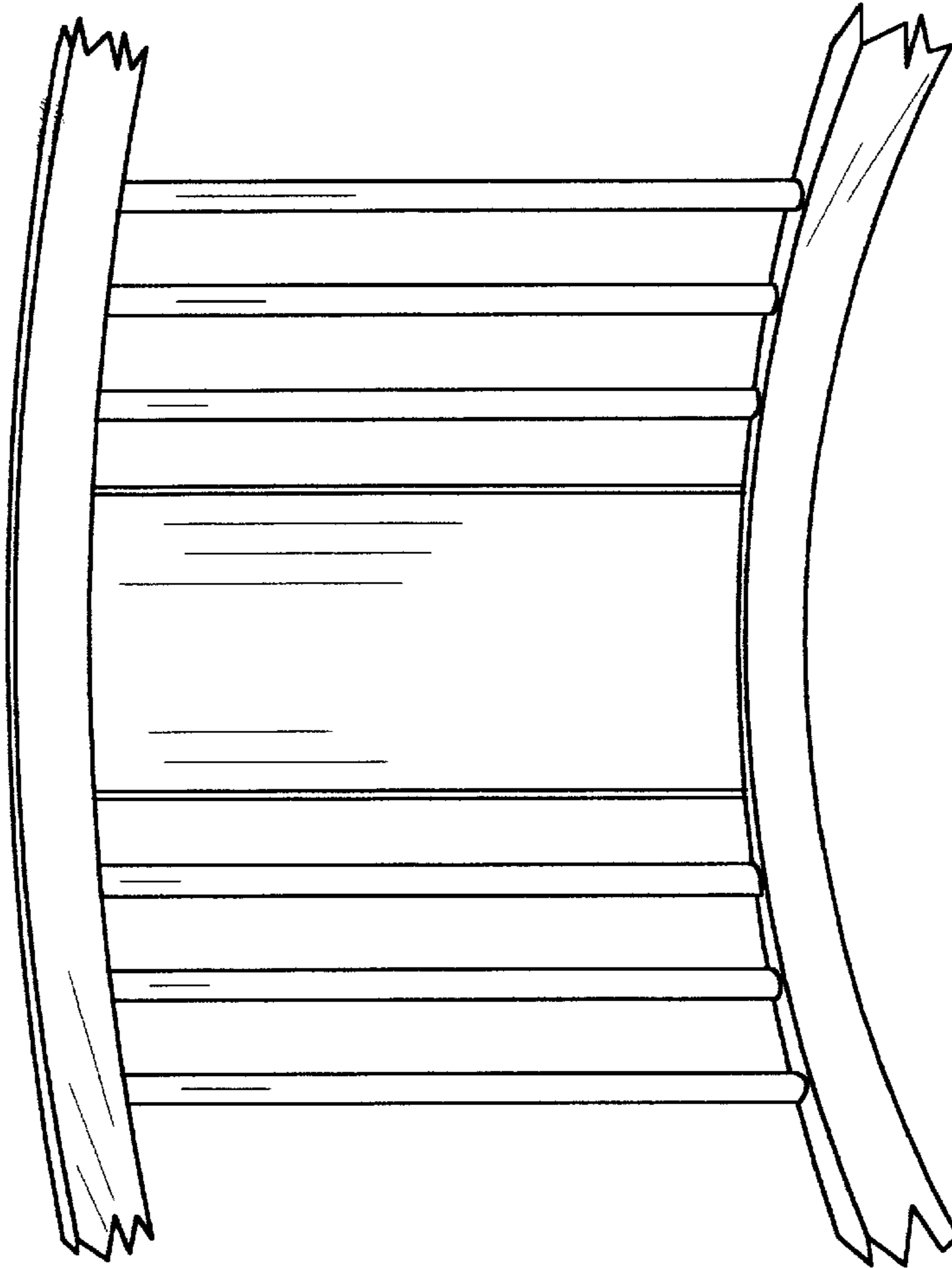


Fig. 4

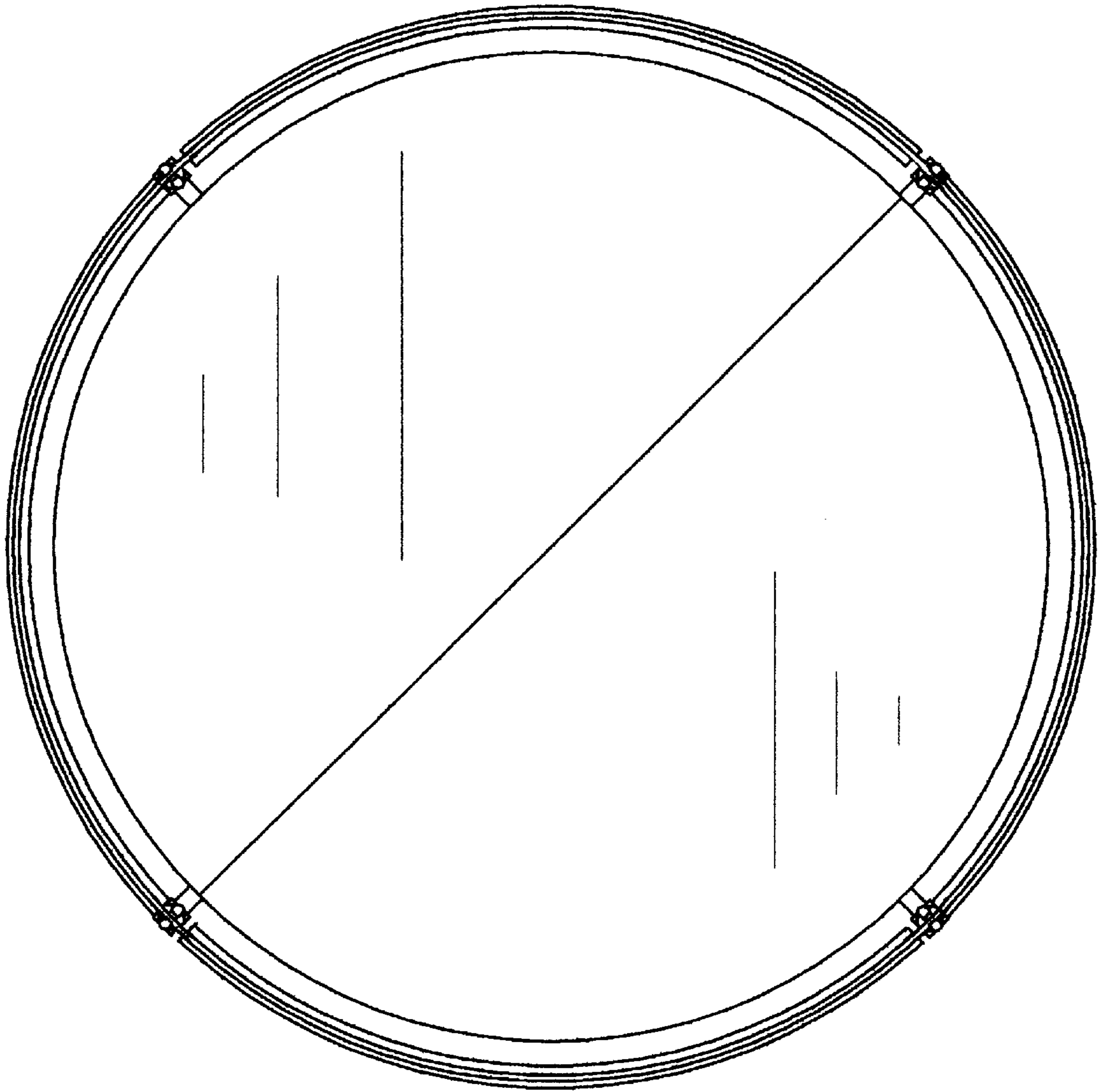


Fig. 5

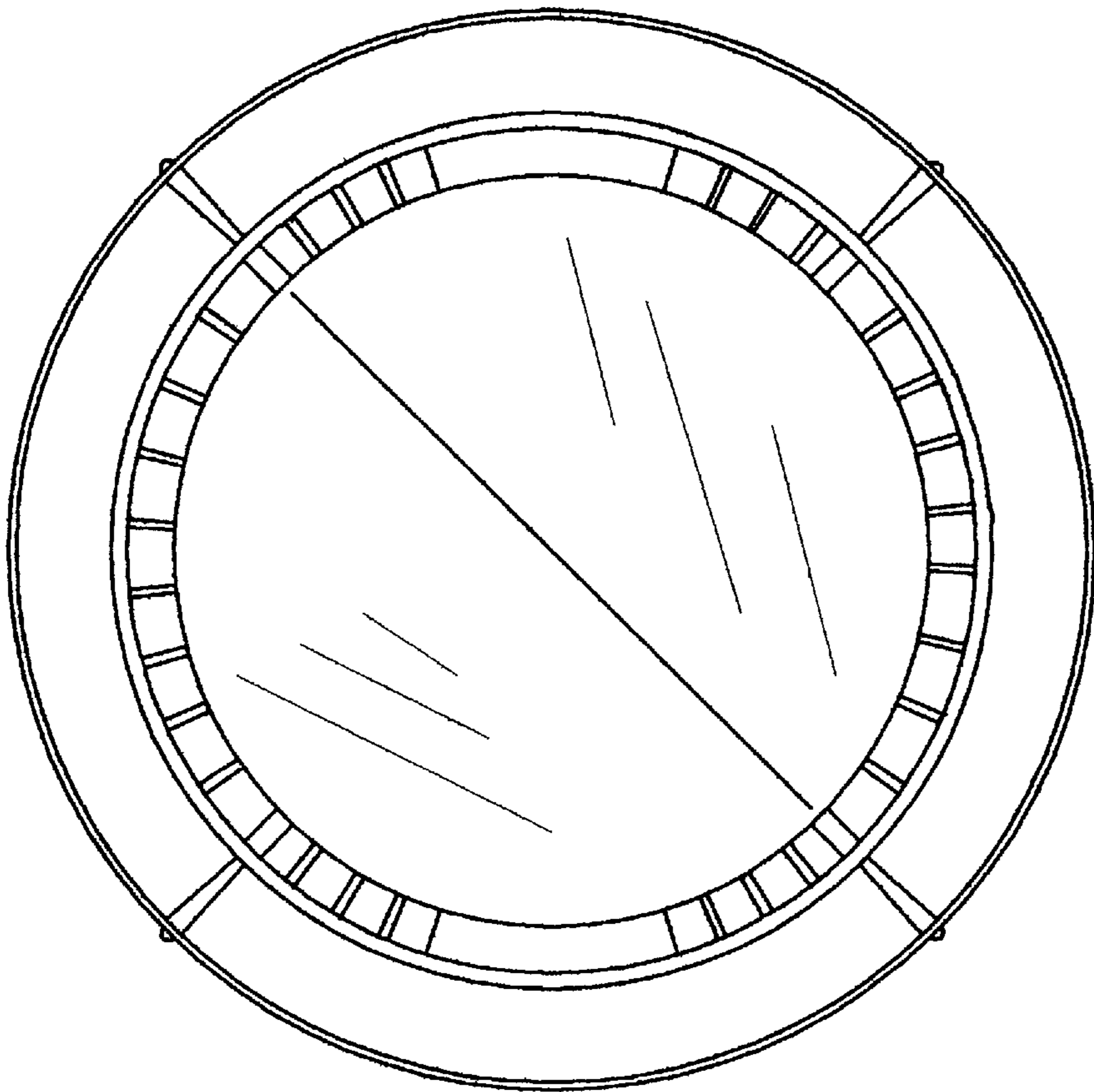


Fig. 6