



US00D417088S

United States Patent [19] Patten

[11] Patent Number: **Des. 417,088**

[45] Date of Patent: **** Nov. 30, 1999**

[54] **END SECTION OF A ROCKING CRIB**

[76] Inventor: **Roger W. Patten**, 1215 SW. 149th,
Seattle, Wash. 98166

[**] Term: **14 Years**

[21] Appl. No.: **29/098,250**

[22] Filed: **Dec. 23, 1998**

[51] **LOC (6) Cl.** **06-01**

[52] **U.S. Cl.** **D6/385; D6/388; D6/390;**
D21/520

[58] **Field of Search** D6/382, 388-395,
D6/385; 5/53.1, 279.1, 280, 281, 907, 101,
105, 93.1, 93.2, 99.1; D21/520

[56] **References Cited**

U.S. PATENT DOCUMENTS

D. 236,767	9/1975	McKelvey	D6/385
D. 267,663	1/1983	Krisel	D21/520
D. 329,759	9/1992	Gandy	D6/385
D. 380,794	7/1997	Poisson	D21/520

Primary Examiner—Janice E. Seeger

Attorney, Agent, or Firm—Christensen O'Connor Johnson
& Kindness PLLC

[57] **CLAIM**

The ornamental design for an end section of a rocking crib,
as shown and described.

DESCRIPTION

FIG. 1 is a perspective view of an end section of a rocking
crib, showing my new design; the broken lines are for
environmental purposes only and form no part of the
claimed design;

FIG. 2 is a front elevational view of the end section of a
rocking crib of FIG. 1, the rear elevational view being
identical to the front elevational view;

FIG. 3 is a side elevational view of the end section of a
rocking crib of FIG. 1, the opposite side elevational view
being identical;

FIG. 4 is a top plan view of the end section of a rocking crib
of FIG. 1;

FIG. 5 is a bottom plan view of the end section of a rocking
crib of FIG. 1;

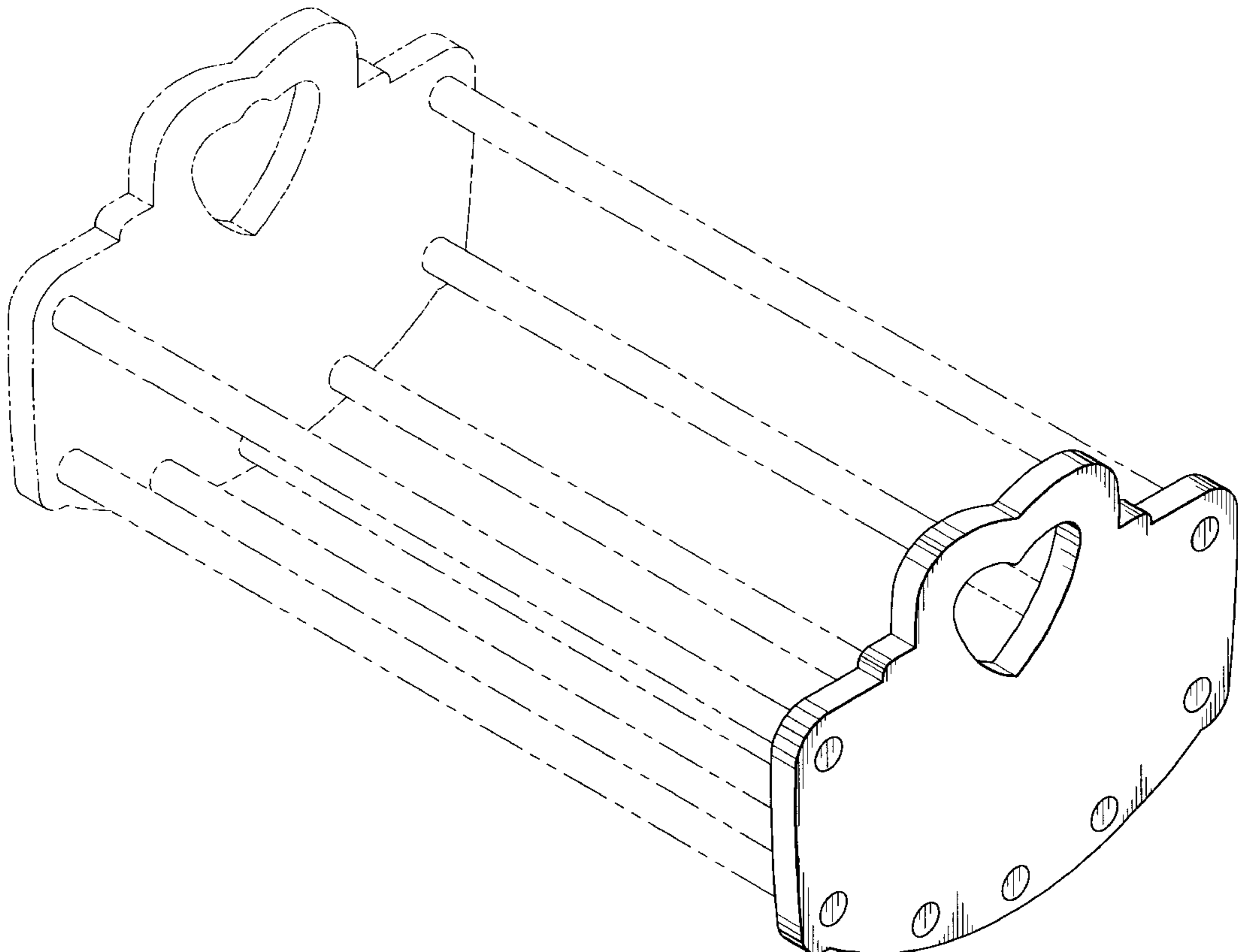
FIG. 6 is a front elevational view of an end section of a
rocking crib showing a second embodiment of the design,
the rear elevational view being identical to the front eleva-
tional view;

FIG. 7 is a side elevational view of the end section of a
rocking crib of FIG. 6, the opposite side elevational view
being identical;

FIG. 8 is a top plan view of the end section of a rocking crib
of FIG. 6; and,

FIG. 9 is a bottom plan view of the end section of a rocking
crib of FIG. 6.

1 Claim, 5 Drawing Sheets



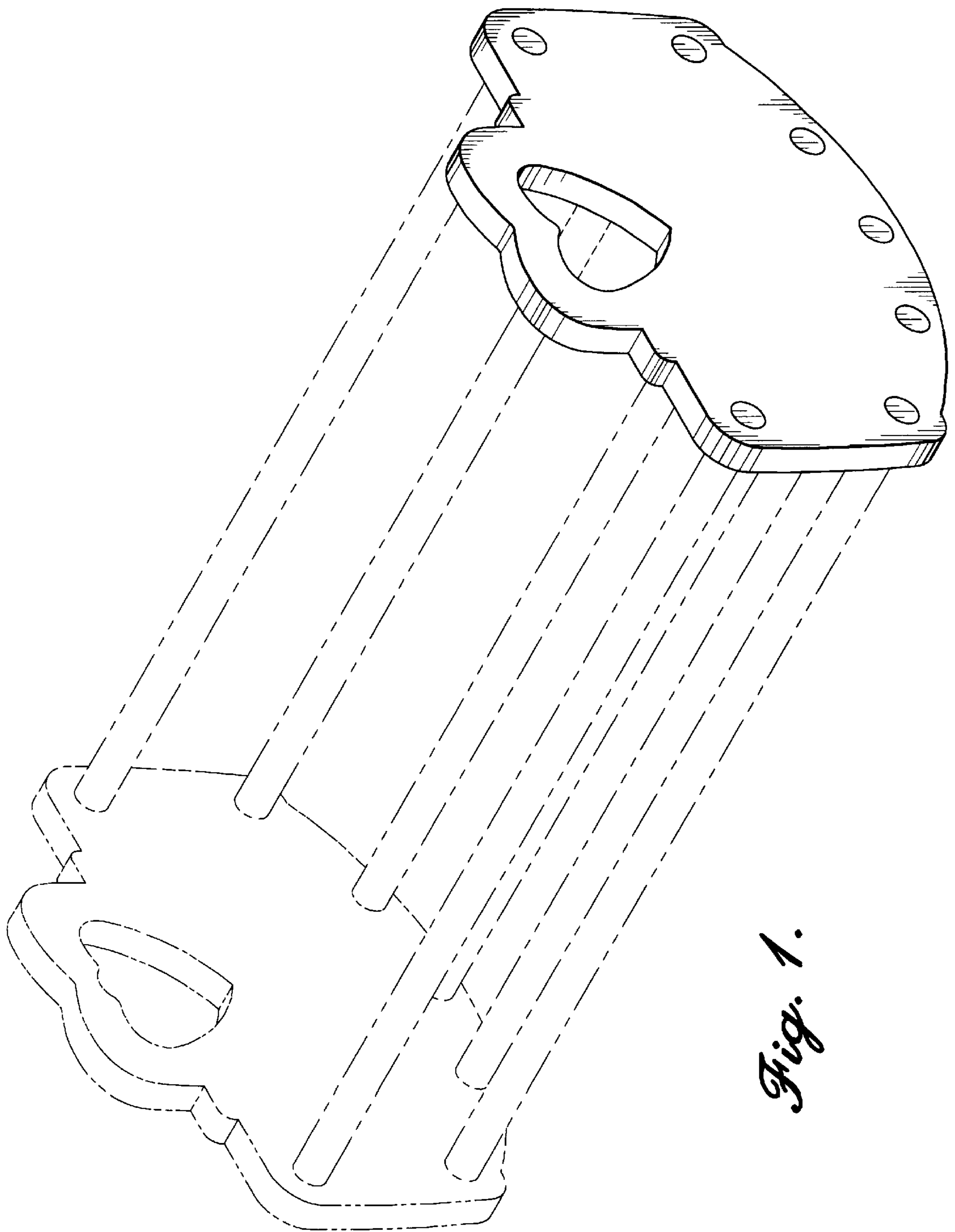


Fig. 1.



Fig. 3.

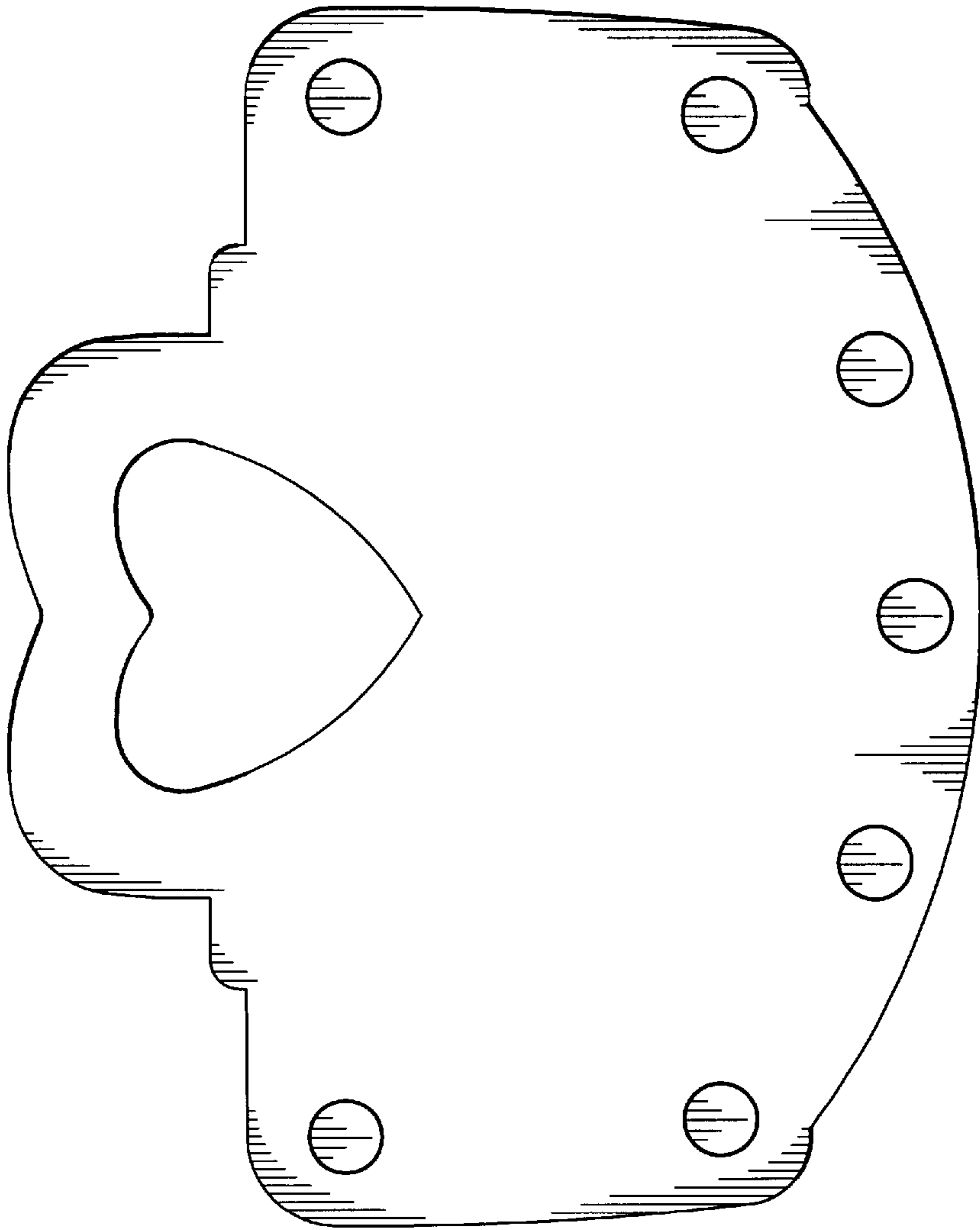


Fig. 2.



Fig. 4.



Fig. 5.



Fig. 7.

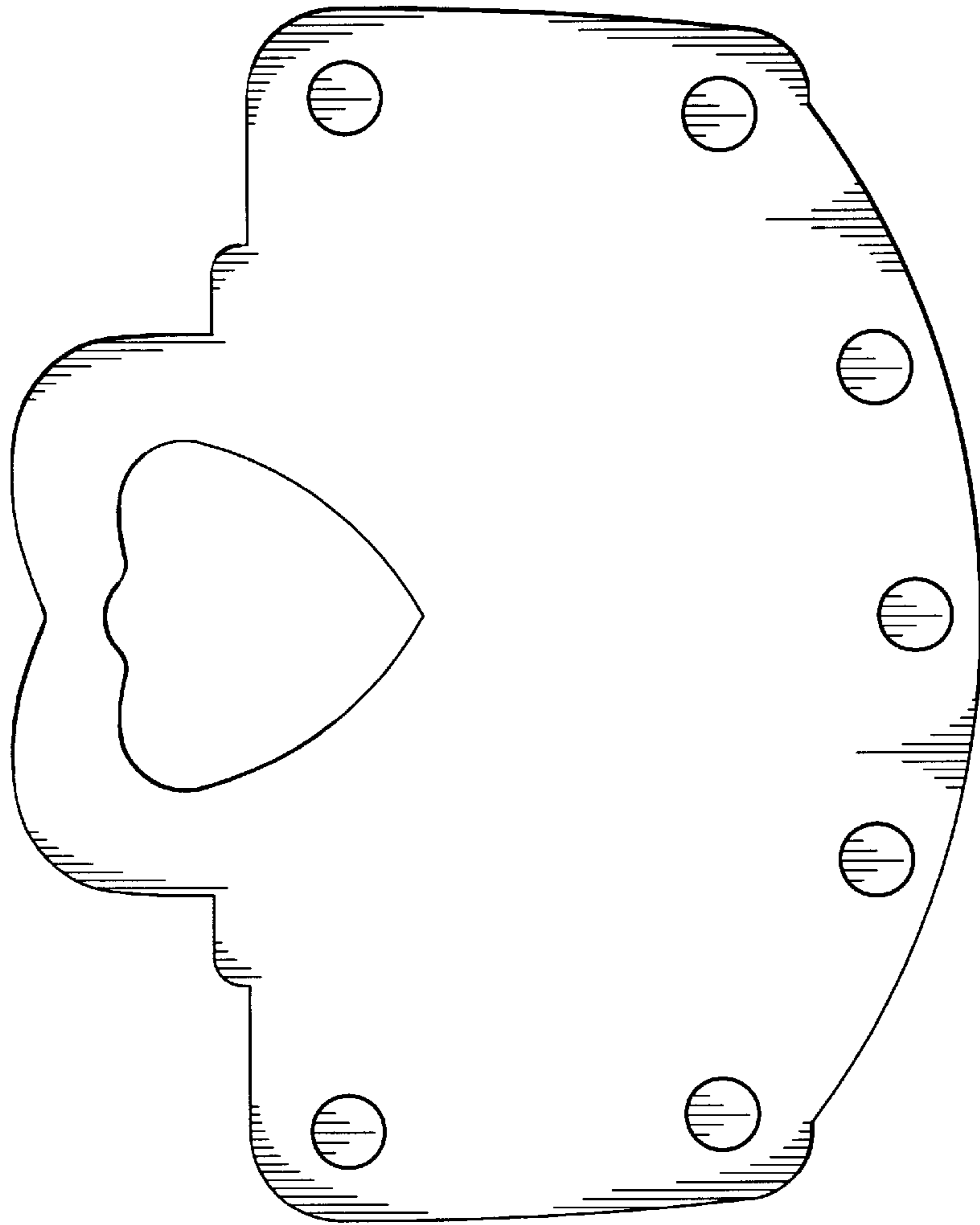


Fig. 6.



Fig. 8.



Fig. 9.

UNITED STATES PATENT AND TRADEMARK OFFICE
CERTIFICATE OF CORRECTION

PATENT NO. : Des. 417,088
DATED : November 30, 1999
INVENTOR(S) : R. W. Patten

Page 1 of 1

It is certified that error appears in the above-identified patent and that said Letters Patent is hereby corrected as shown below:

Column 1, Title

[54] "END SECTION OF A ROCKING CRIB" should read -- END SECTION OF A ROCKING CRIB FOR INFANTS, DOLLS, OR TOYS --

Signed and Sealed this

Twenty-eighth Day of August, 2001

Attest:

Nicholas P. Godici

Attesting Officer

NICHOLAS P. GODICI
Acting Director of the United States Patent and Trademark Office