



US00D417085S

United States Patent [19] Kanwetz, II

[11] **Patent Number: Des. 417,085**

[45] **Date of Patent: ** Nov. 30, 1999**

[54] **ERGONOMIC CHAIR**

5,857,747 1/1999 Mundkowski 297/423.11

[76] Inventor: **Alexey D. Kanwetz, II**, 6986 Aspen
Glen Rd., Reno, Nev. 89509

Primary Examiner—Doris V. Coles
Assistant Examiner—Mimosa De
Attorney, Agent, or Firm—Sughrue, Mion, Zinn, Macpeak
& Seas, PLLC

[**] Term: **14 Years**

[21] Appl. No.: **29/085,218**

[57] **CLAIM**

[22] Filed: **Mar. 18, 1998**

The ornamental design for an ergonomic chair, as shown and described.

[51] **LOC (6) Cl.** **06-01**

DESCRIPTION

[52] **U.S. Cl.** **D6/330**

[58] **Field of Search** D6/330, 334, 335,
D6/336, 360, 365, 364, 367, 500, 501,
502; 297/423.11, 423.12

FIG. 1 is a perspective view of the top, front and left side of an ergonomic chair showing my new design;
FIG. 2 is a perspective view of the top, rear and left side thereof;
FIG. 3 is a front elevational view thereof;
FIG. 4 is a rear elevational view thereof;
FIG. 5 is a top plan view thereof; and,
FIG. 6 is a left side elevational view thereof, the right side being a mirror image thereof.

[56] **References Cited**

U.S. PATENT DOCUMENTS

D. 292,654	11/1987	Melvin	D6/360
D. 323,073	1/1992	Opsvik	D6/365
5,667,278	9/1997	Li	297/423.11
5,669,669	9/1997	Usher	297/423.11

1 Claim, 6 Drawing Sheets

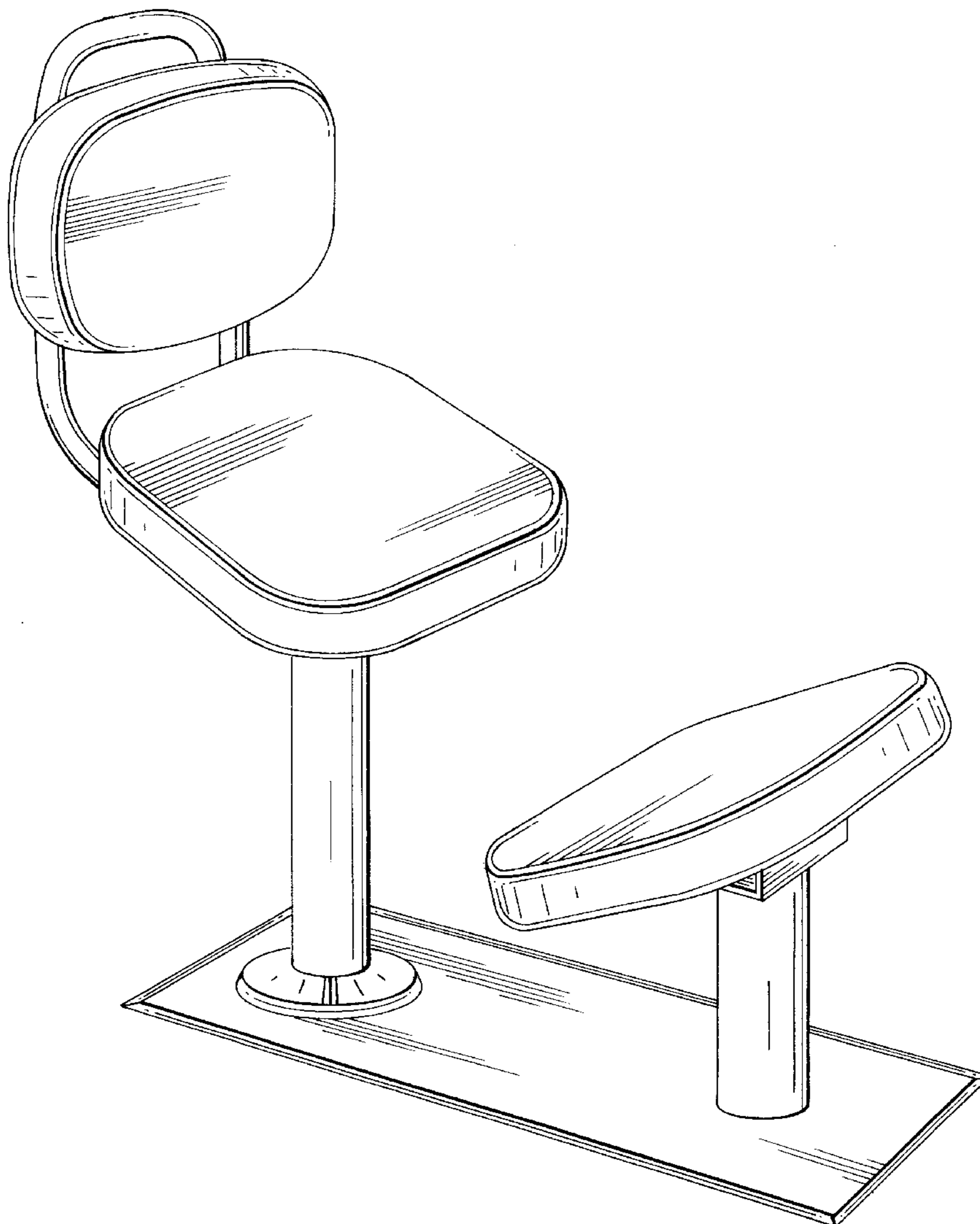


FIG. 1

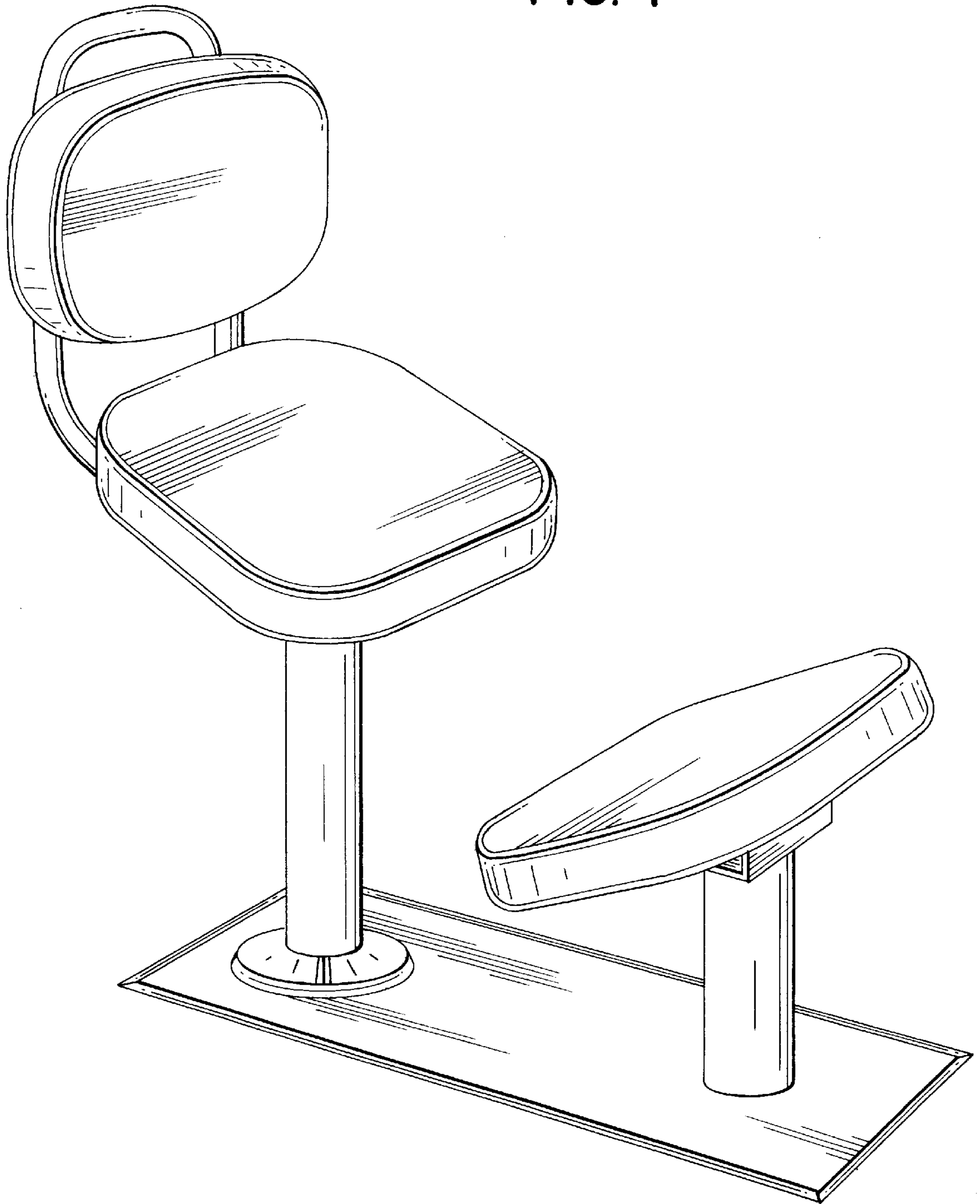


FIG. 2

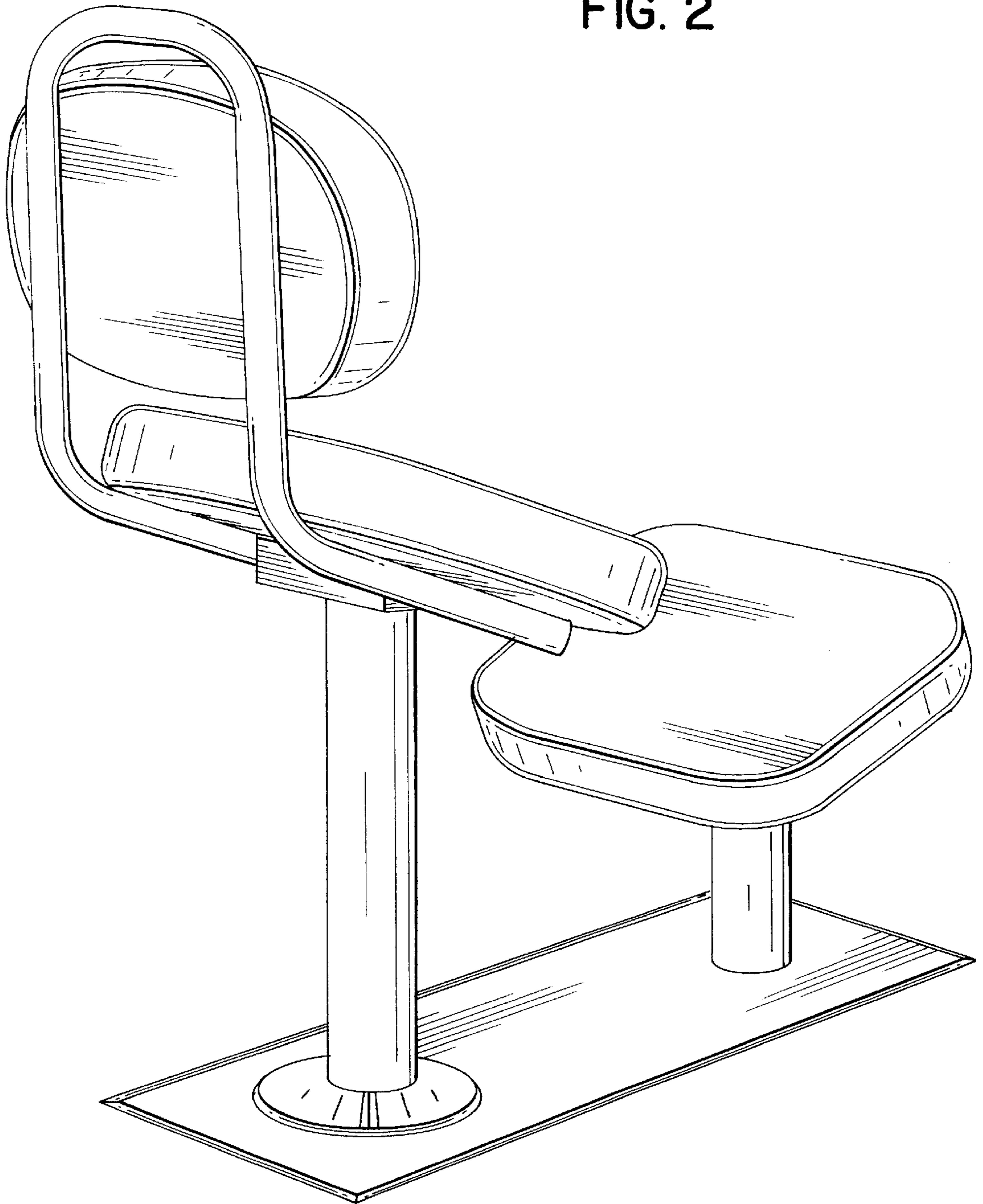


FIG. 3

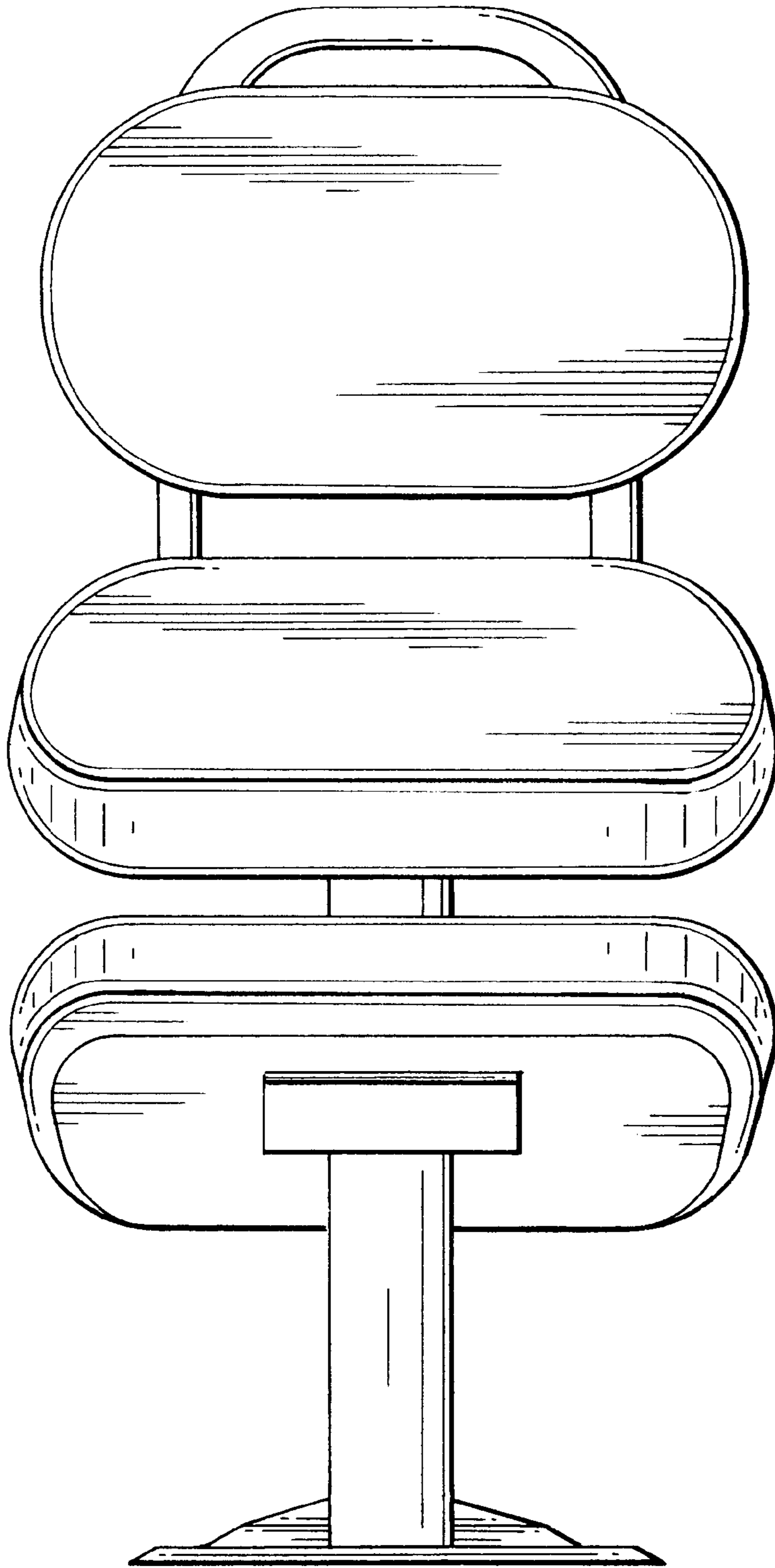


FIG. 4

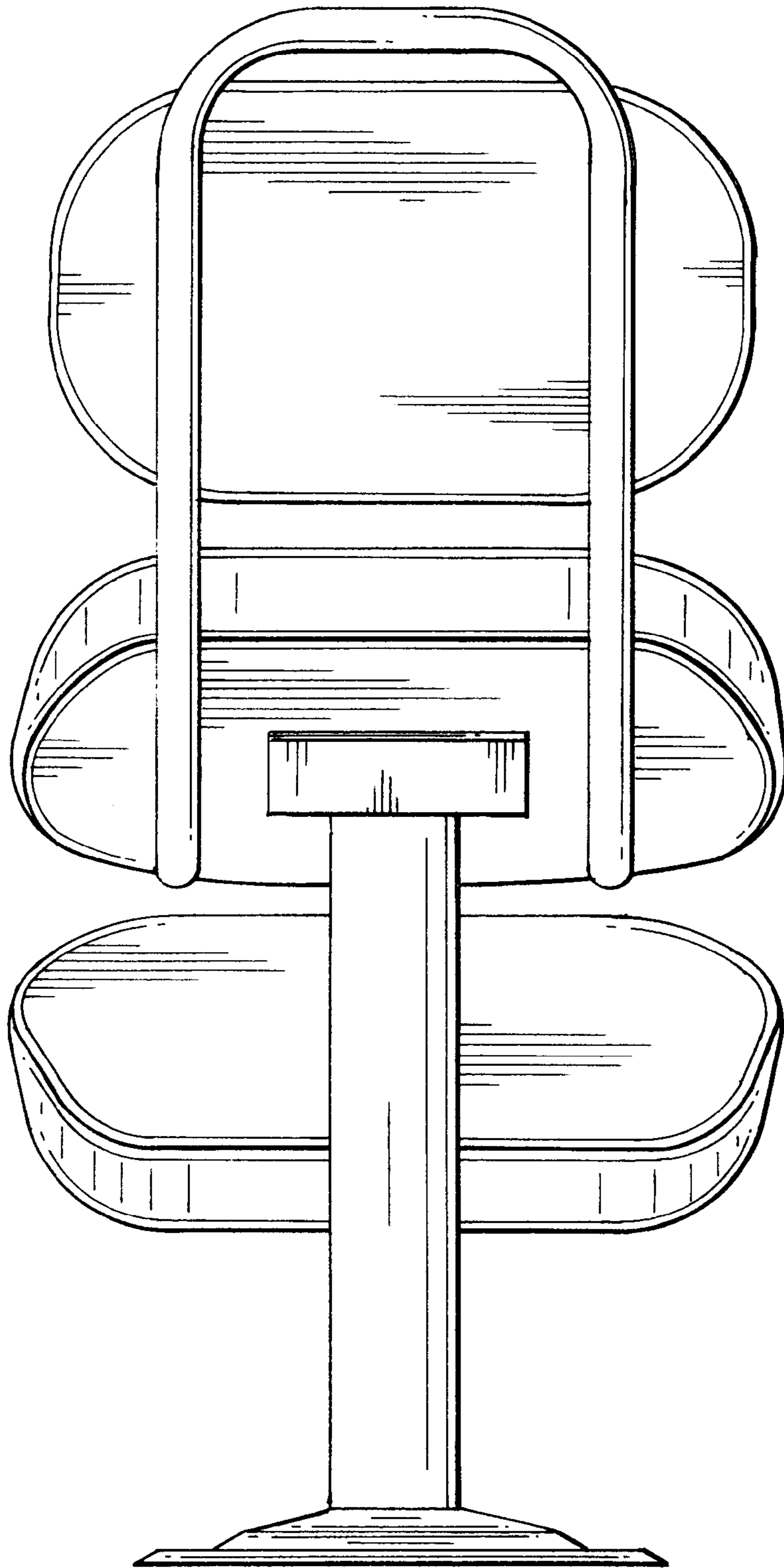


FIG. 5

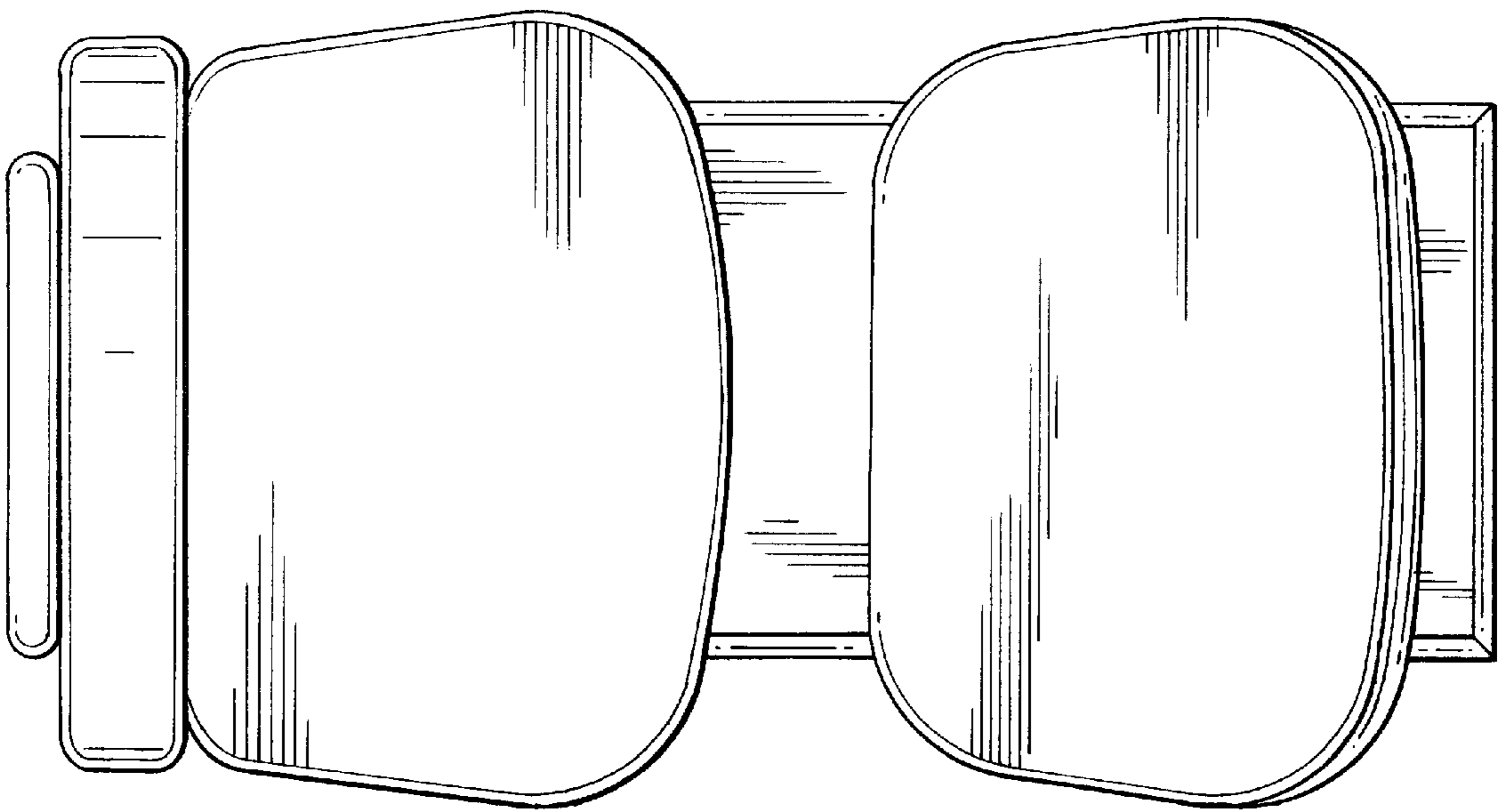


FIG. 6

