



US00D417083S

# United States Patent [19] Yun

[11] **Patent Number: Des. 417,083**

[45] **Date of Patent: \*\* Nov. 30, 1999**

[54] **HAIRBRUSH HANDLE**

D. 127,284 5/1941 Shortell ..... D8/DIG. 7 X  
2,668,971 2/1954 Bagley, Jr. .... 15/145

[75] Inventor: **Young-Jae Yun**, Seoul, Rep. of Korea

[73] Assignee: **Kyeh-Bong Chang**, Seoul, Rep. of Korea

*Primary Examiner*—Alan P. Douglas  
*Assistant Examiner*—Lavone D. Tabor  
*Attorney, Agent, or Firm*—Staas & Halsey

[\*\*] Term: **14 Years**

[57] **CLAIM**

[21] Appl. No.: **29/086,474**

The ornamental design for a hairbrush handle, as shown and described.

[22] Filed: **Apr. 14, 1998**

[30] **Foreign Application Priority Data**

**DESCRIPTION**

Nov. 7, 1997 [KR] Rep. of Korea ..... 97-23374

FIG. 1 is a perspective view.

[51] **LOC (6) Cl.** ..... **04-02**

FIG. 2 is a plan view.

[52] **U.S. Cl.** ..... **D4/138**

FIG. 3 is a bottom view.

[58] **Field of Search** ..... D4/131-134, 138;  
D7/395; D8/DIG. 7; 15/143.1, 159.1, 145,  
160; 16/110 R, 110 A, 114 R, 114 A

FIG. 4 is a front elevational view.

FIG. 5 is a schematic left side view; and,

FIG. 6 is a schematic right side view.

The rear surface not shown in the drawings or described in the specification forms no part of the claimed design.

[56] **References Cited**

**U.S. PATENT DOCUMENTS**

D. 114,197 4/1939 Muller-Munk ..... D4/134

**1 Claim, 3 Drawing Sheets**

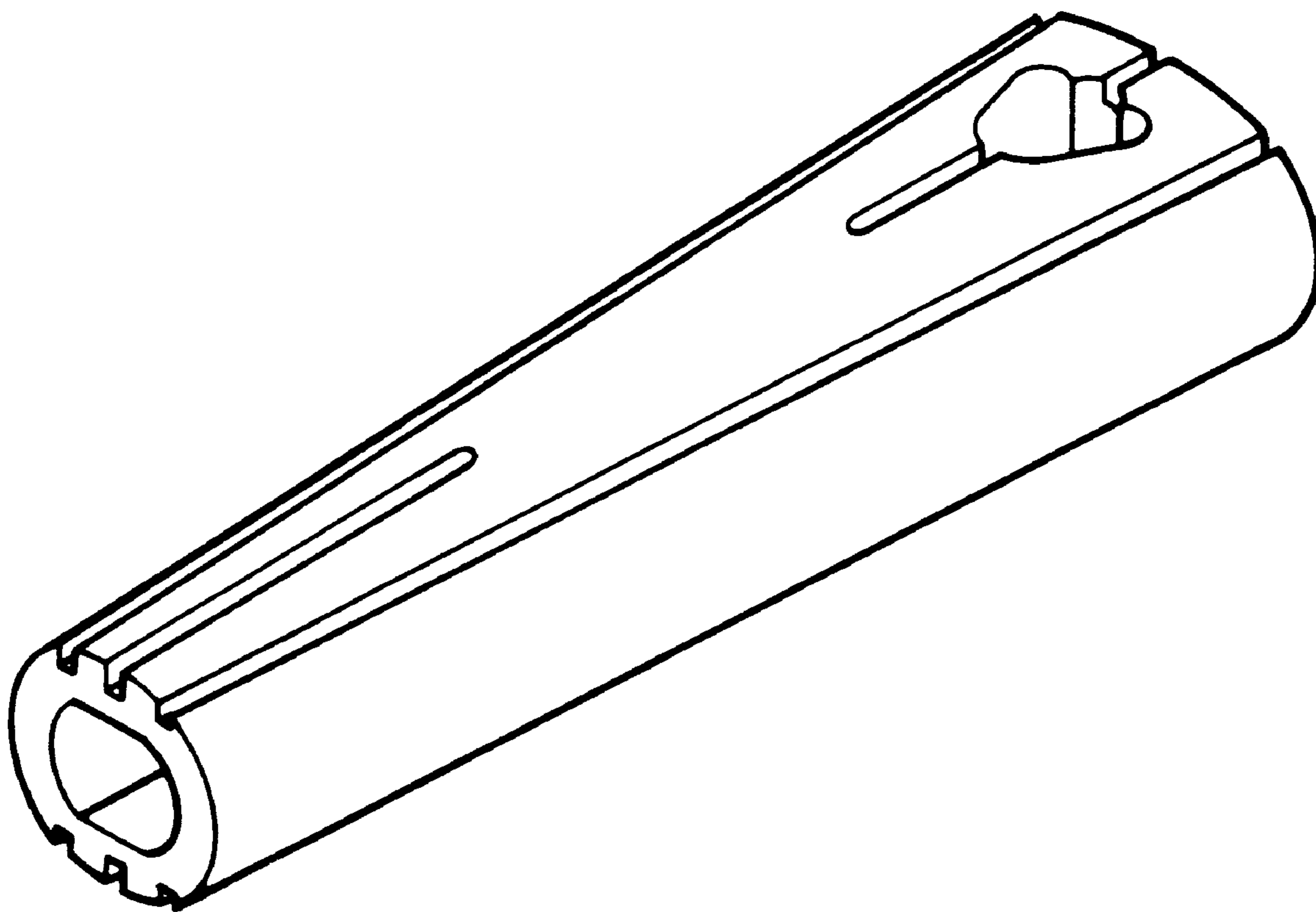


Fig. 1

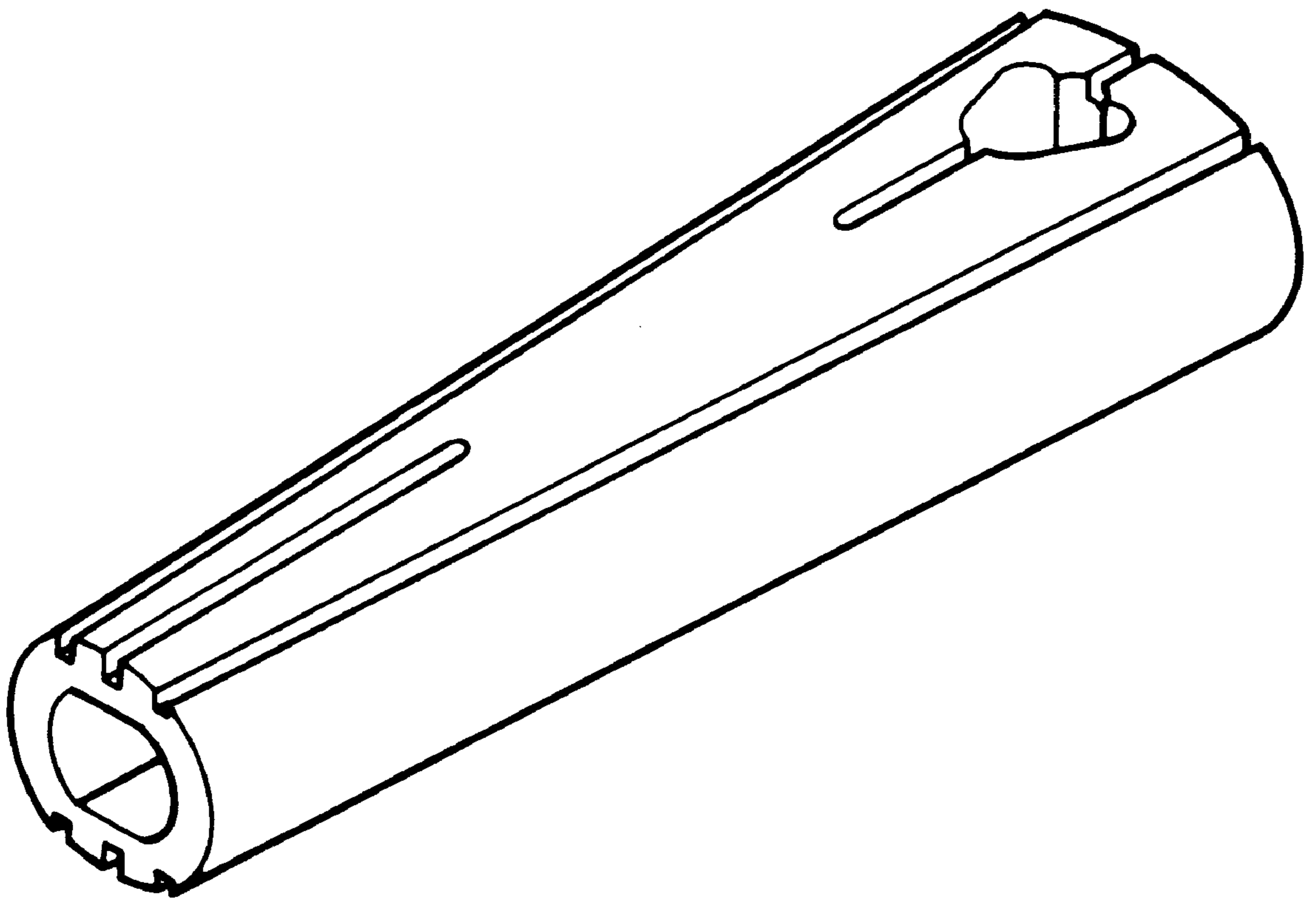


Fig. 2

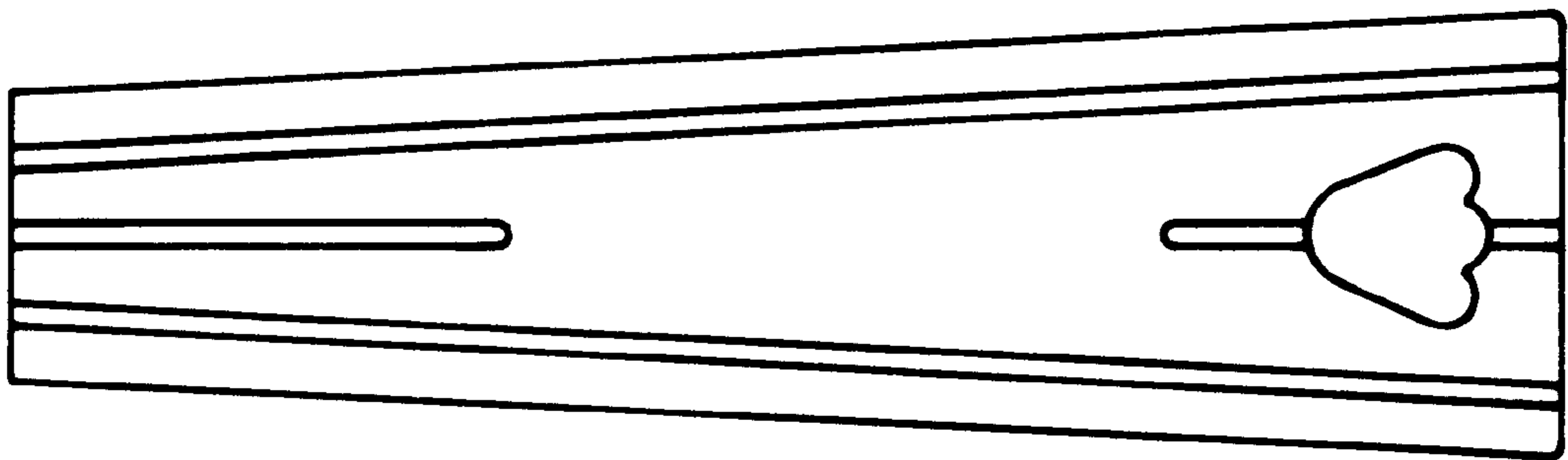


Fig. 3

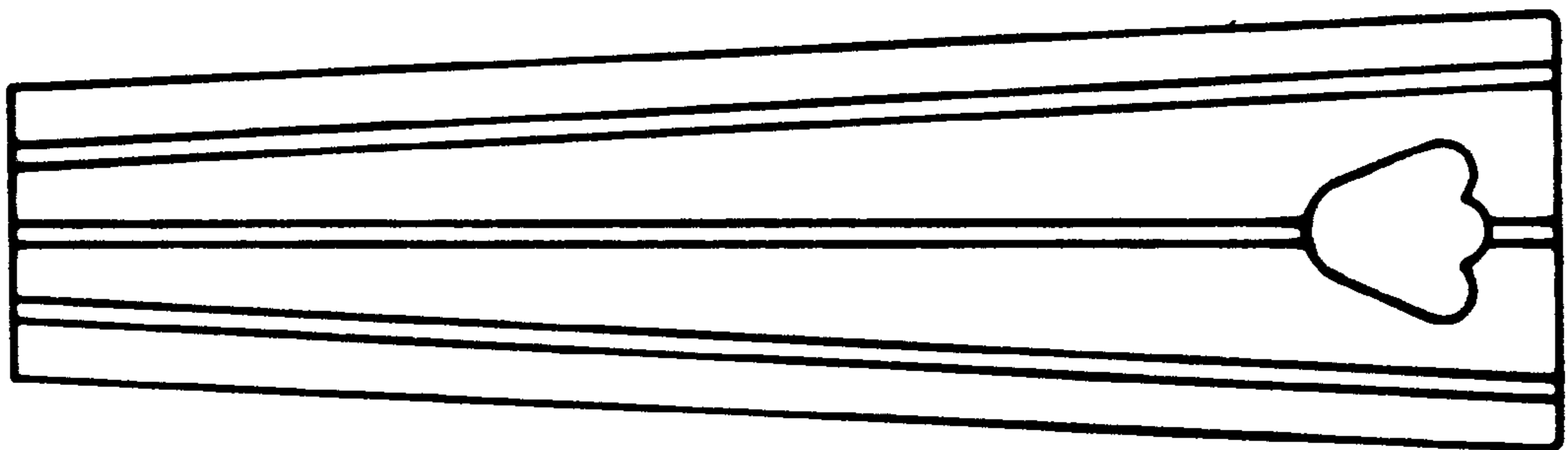


Fig. 4

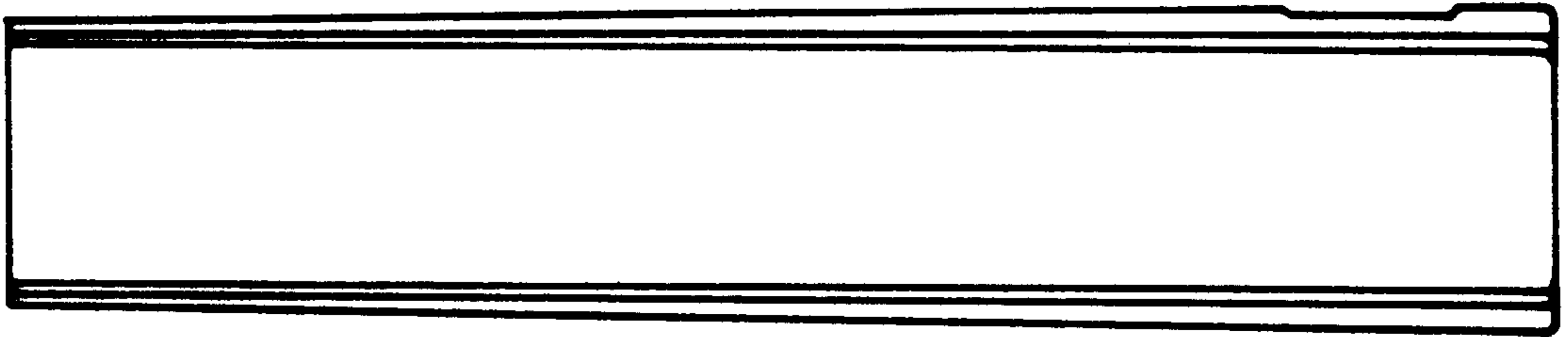


Fig. 5

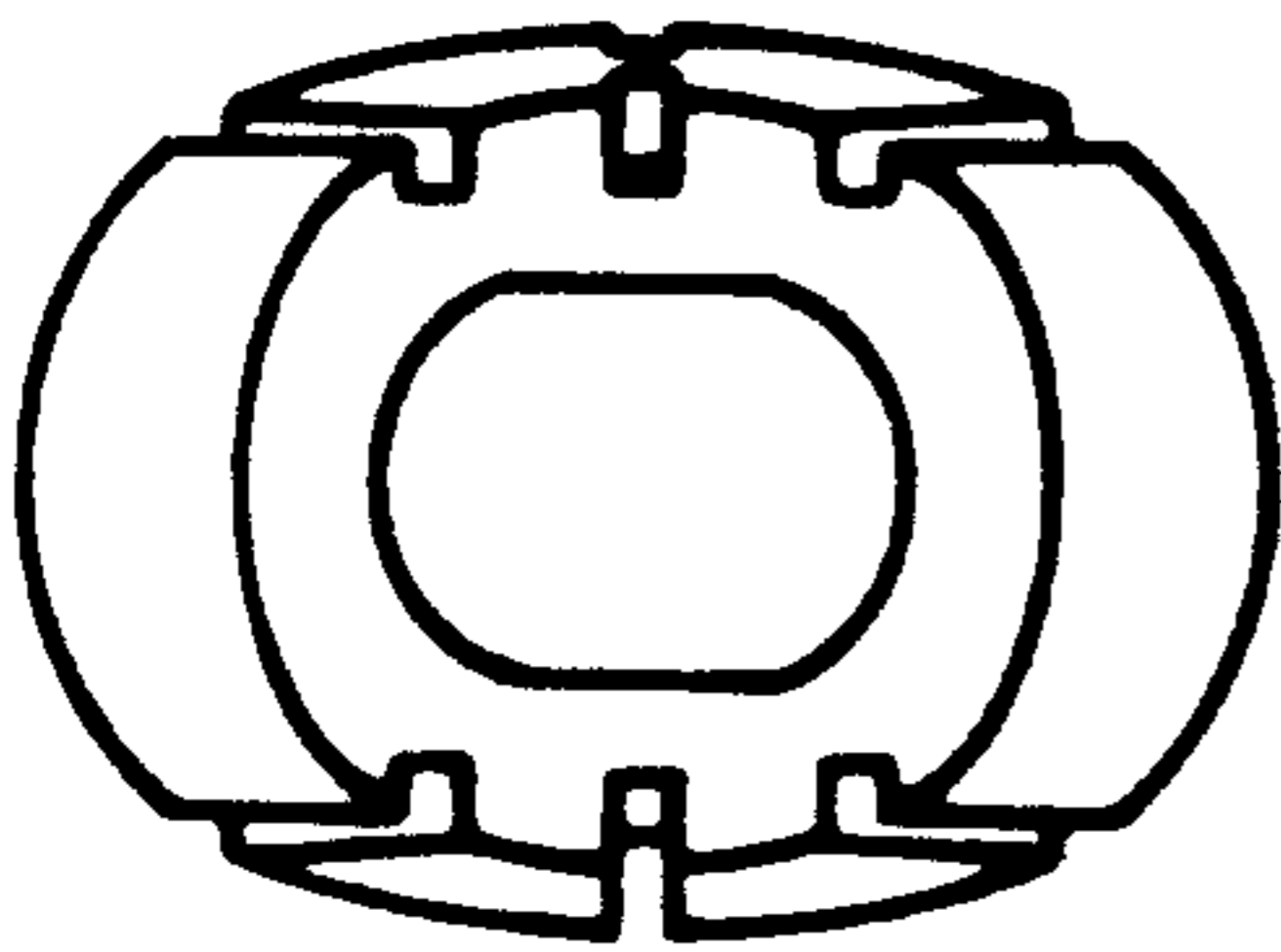


Fig. 6

