



US00D417080S

United States Patent [19]

Korn et al.

[11] Patent Number: **Des. 417,080**

[45] Date of Patent: **** Nov. 30, 1999**

[54] **HANDLE**

[75] Inventors: **Francis E. Korn**, Durham, Conn.;
Allen Epstein, Clifton, N.J.

[73] Assignee: **The Durham Manufacturing Company**, Durham, Conn.

[**] Term: **14 Years**

[21] Appl. No.: **29/080,647**

[22] Filed: **Dec. 12, 1997**

[51] **LOC (6) Cl.** **03-99**

[52] **U.S. Cl.** **D3/318**

[58] **Field of Search** D3/276, 281-2,
D3/288-9, 318; D7/629; 206/315.11; 220/326,
338, 340, 761-3; 190/900-902, 115-118;
224/32, 151; D8/303, 316, 317, 306; 16/111 R

[56] References Cited

U.S. PATENT DOCUMENTS

D. 109,466	5/1938	Aldeen	D8/317
D. 123,853	12/1940	Borchers	D8/317
D. 147,878	11/1947	Stevens	D8/316
D. 216,853	3/1970	Schurman	D3/281
D. 221,737	9/1971	Rheinhardt	D8/306
D. 235,730	7/1975	Bush	D8/316
D. 239,158	3/1976	Bush	D8/306
D. 259,075	5/1981	Solomon	D3/289

D. 291,405	8/1987	Finesman et al.	D8/317
D. 393,526	4/1998	Robey et al.	D3/281
D. 394,157	5/1998	Dickinson	D3/318
5,144,719	9/1992	Arthur	D8/316
5,855,408	1/1999	Rickabus	190/115

Primary Examiner—Louis S. Zarfaz
Assistant Examiner—Robert A. Delehanty
Attorney, Agent, or Firm—John H. Crozier

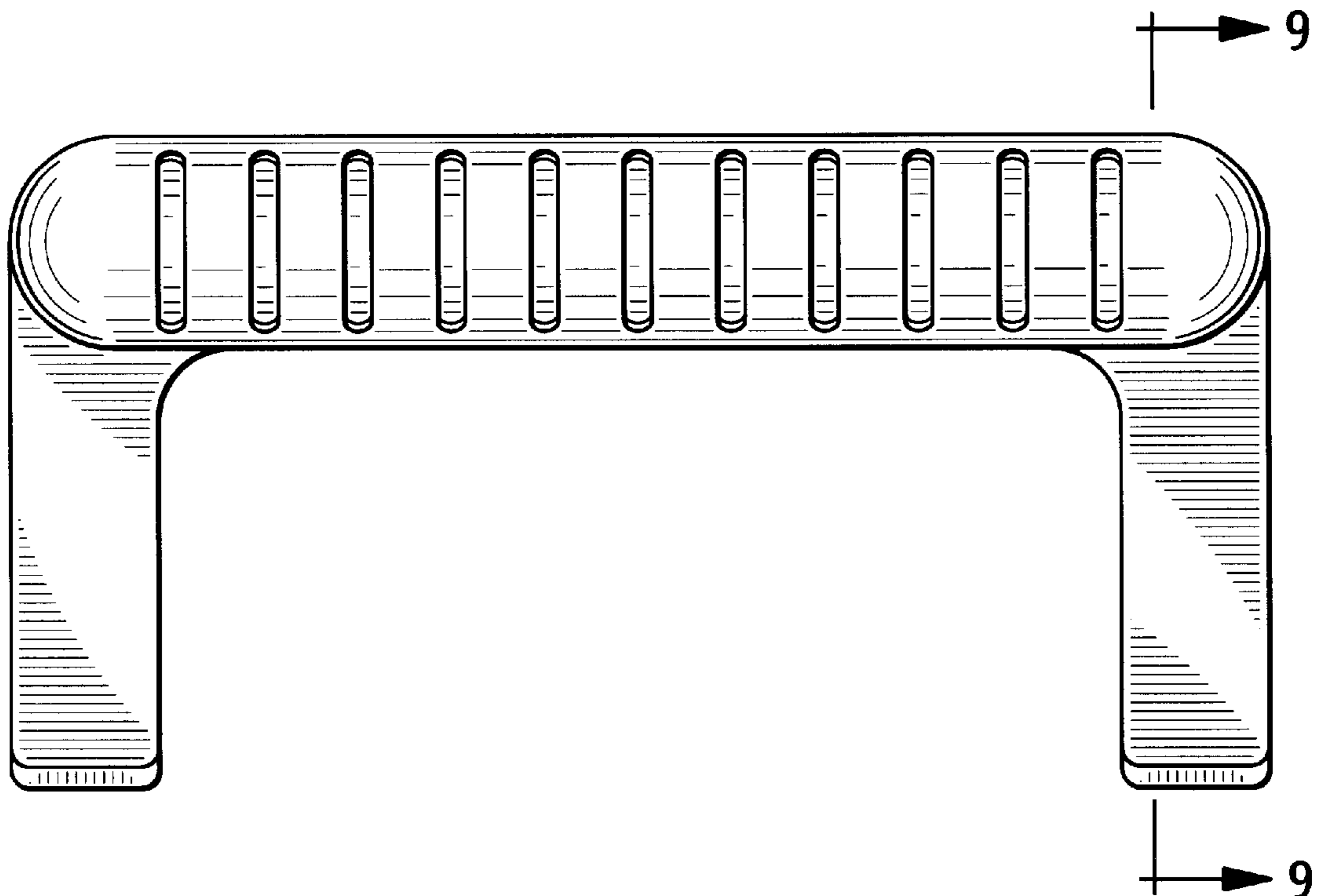
[57] CLAIM

The ornamental design for a handle, as shown and described.

DESCRIPTION

FIG. 1 is a left/top/front perspective view of a handle of our new design shown in an upright position, it being understood that the carrying case shown in broken lines is for illustrative purposes only and forms no part of the claimed design; FIG. 2 is a left/top/front perspective view of a handle shown in a folded position thereof; FIG. 3 is an enlarged front elevational view thereof; FIG. 4 is an enlarged rear elevational view thereof; FIG. 5 is an enlarged top plan view thereof; FIG. 6 is an enlarged bottom plan view thereof; FIG. 7 is an enlarged left side view thereof; FIG. 8 is an enlarged right side elevational view thereof; and, FIG. 9 is an enlarged left side cross-sectional elevational view taken along line "9—9" of FIG. 3 thereto.

1 Claim, 4 Drawing Sheets



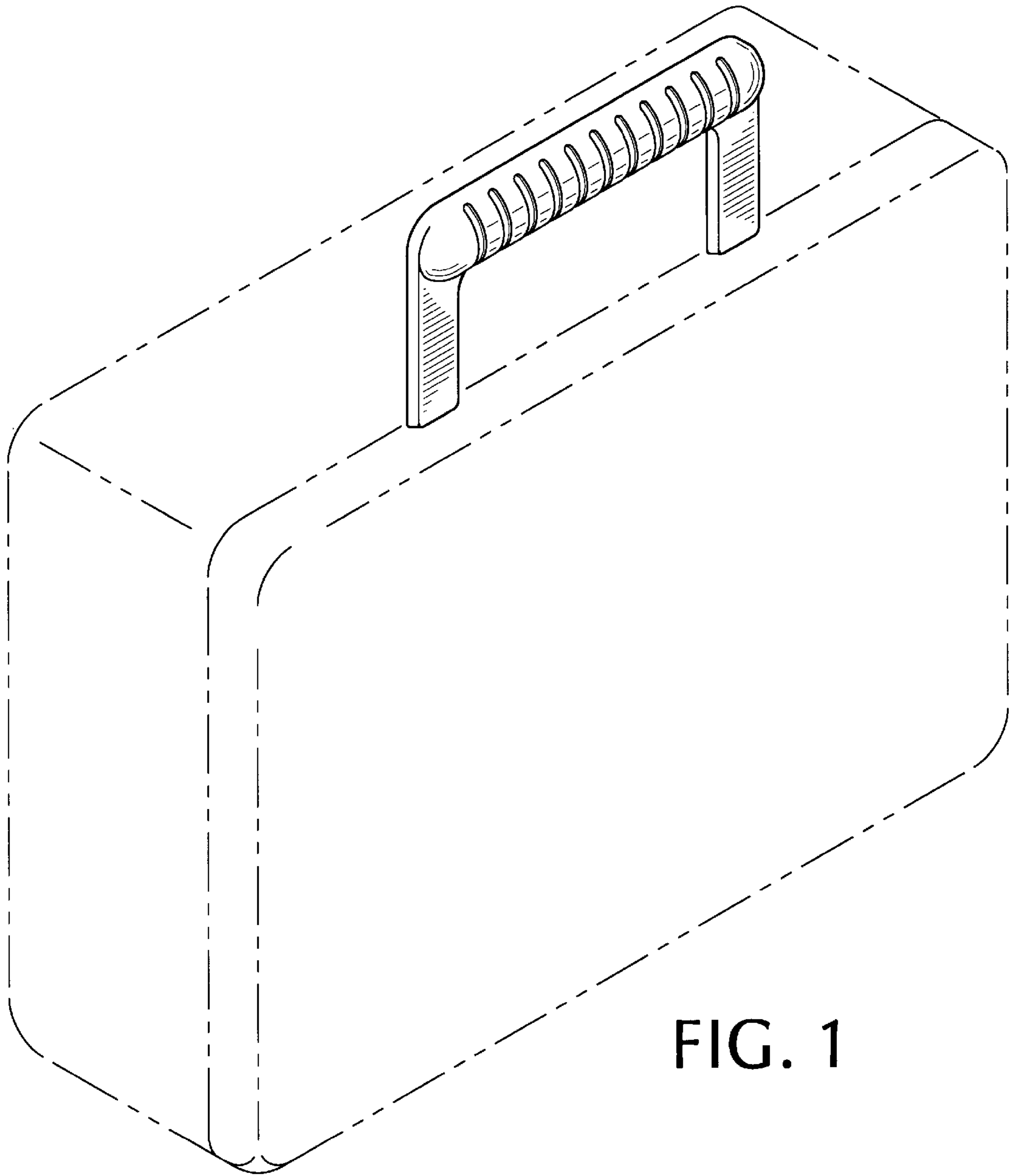


FIG. 1

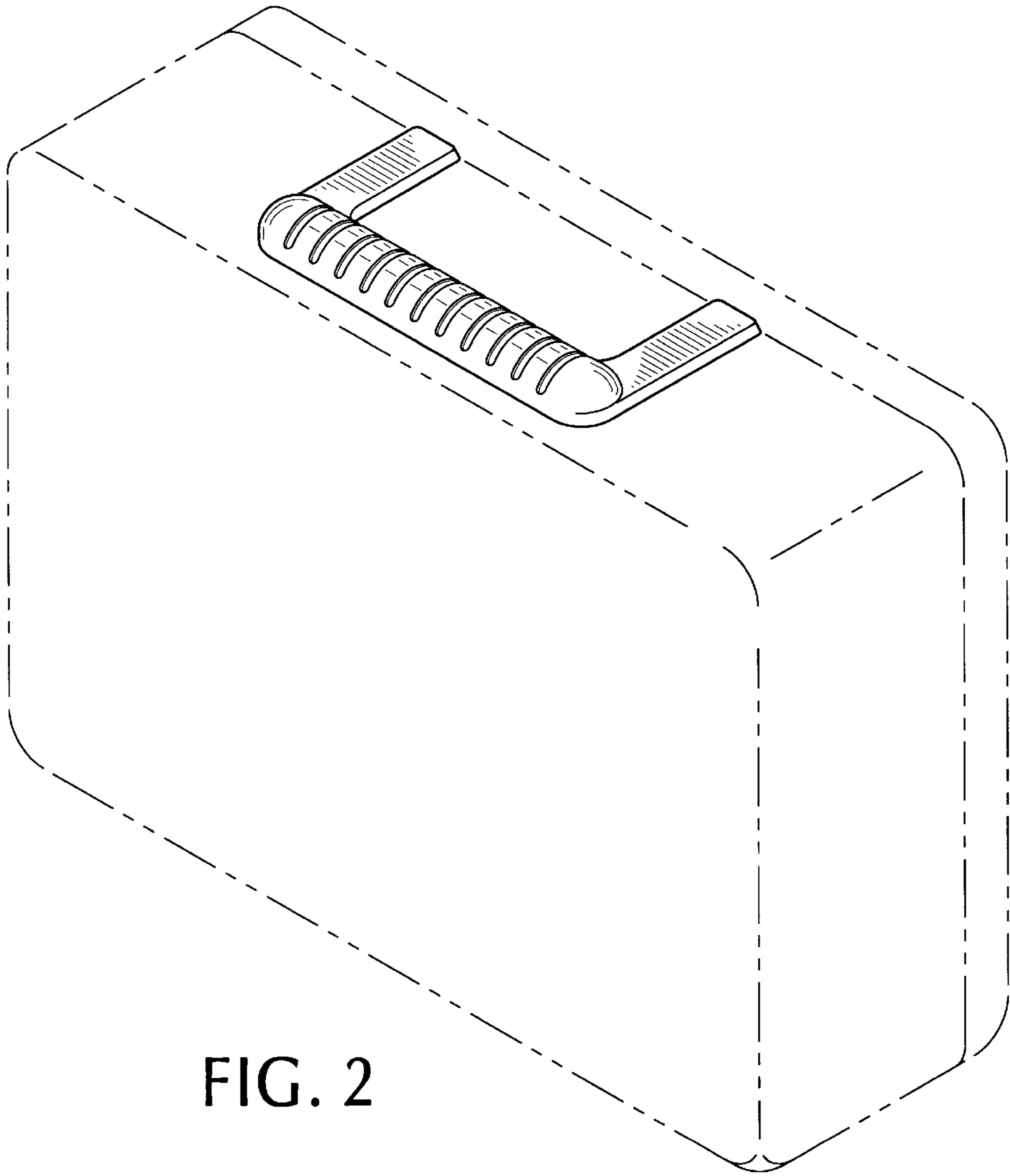
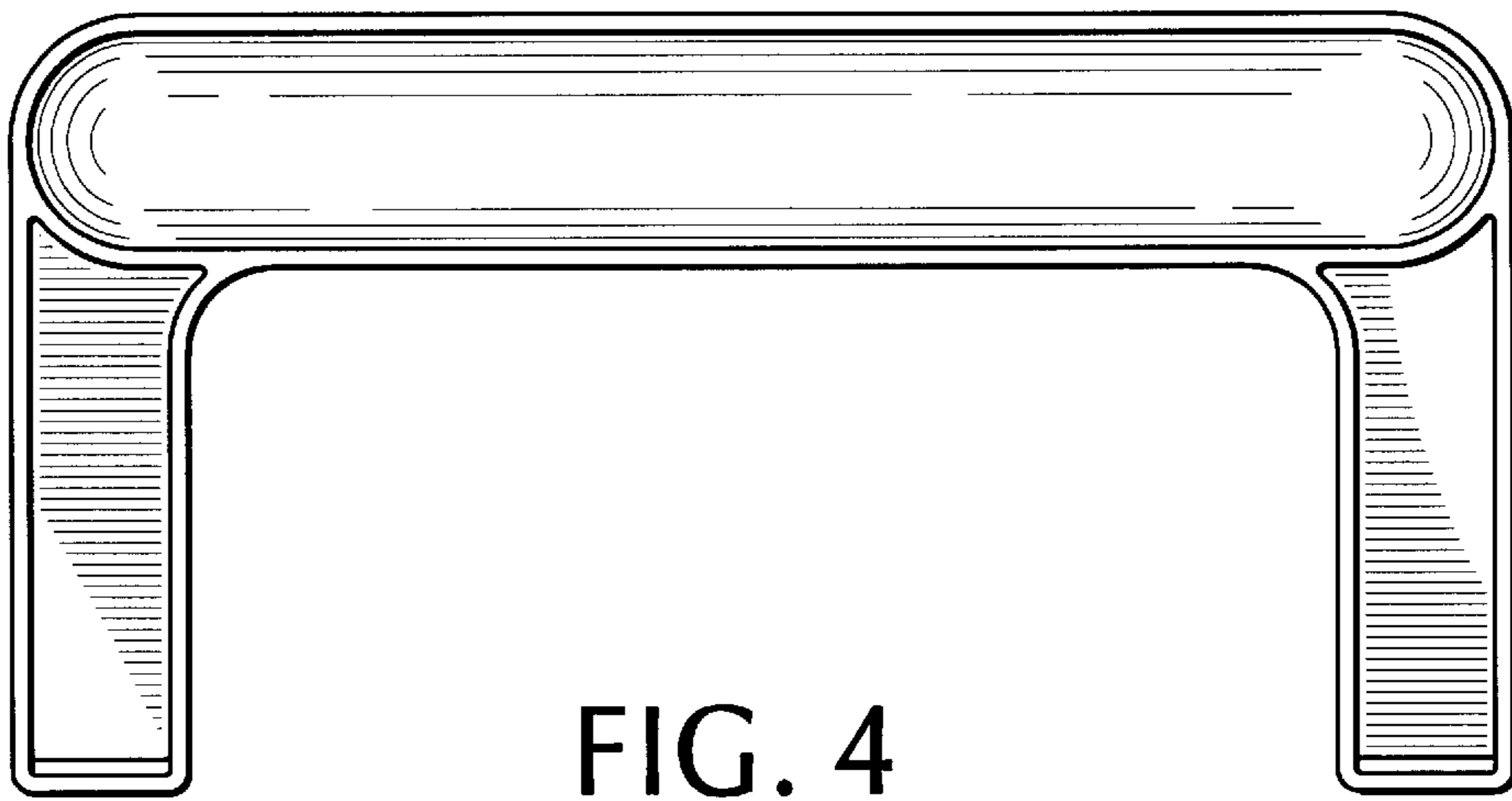
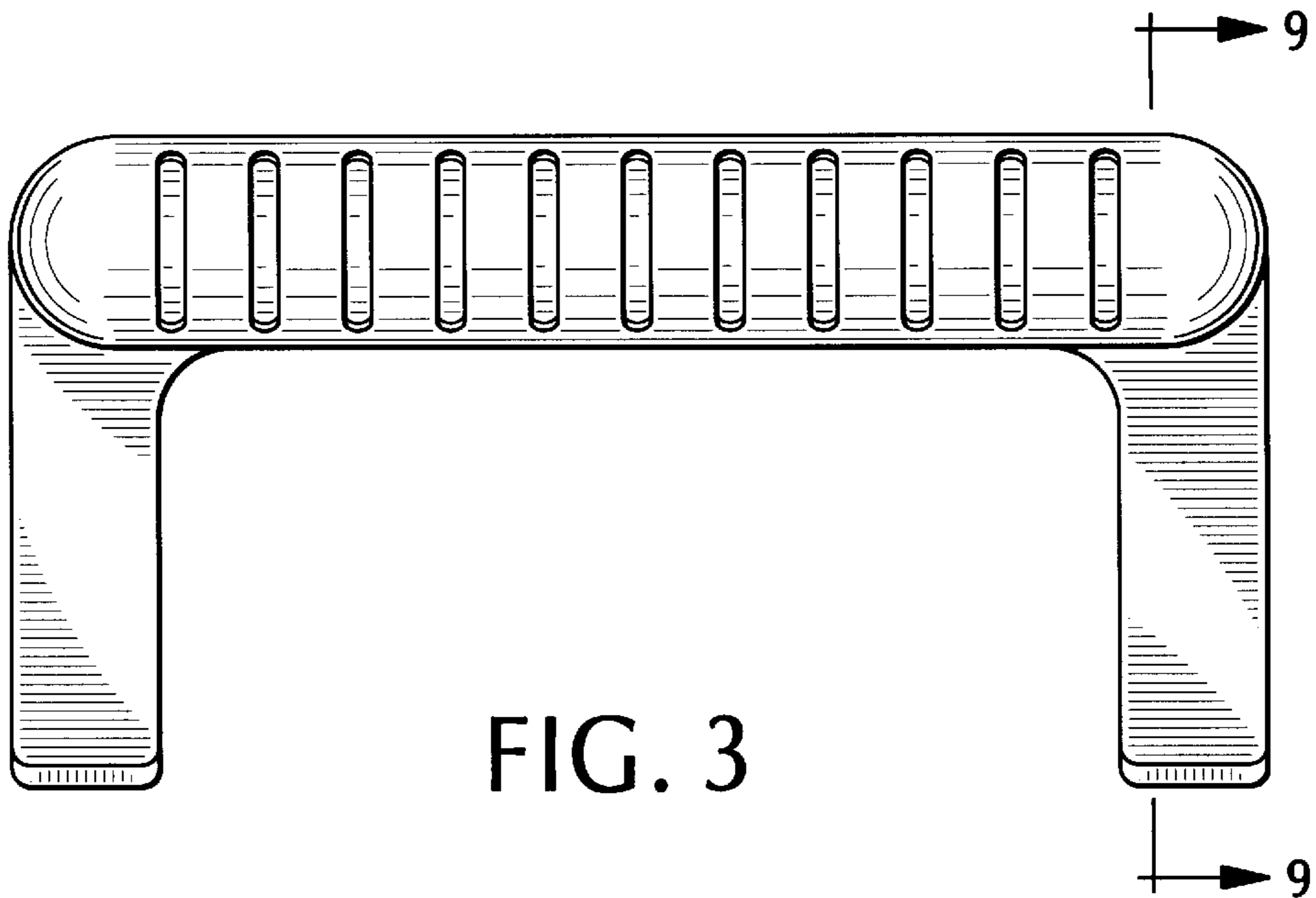


FIG. 2



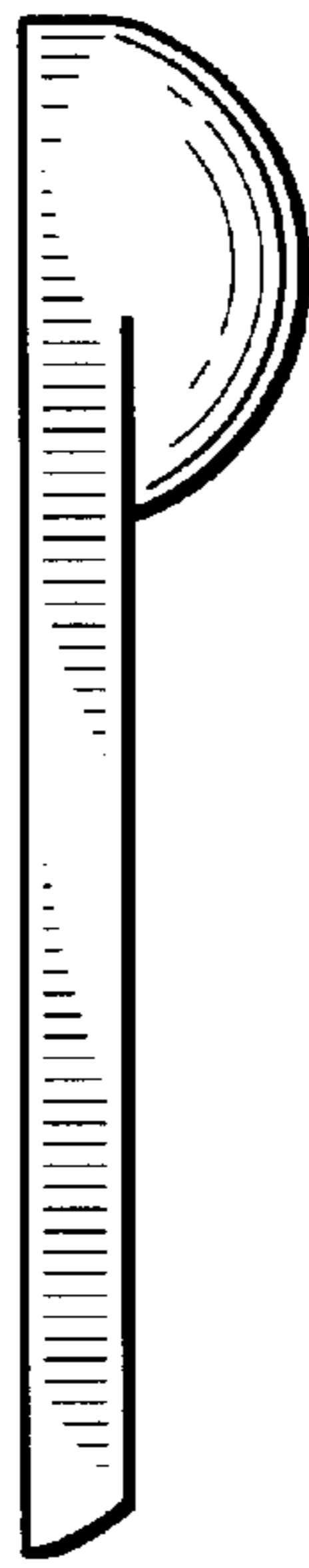


FIG. 7

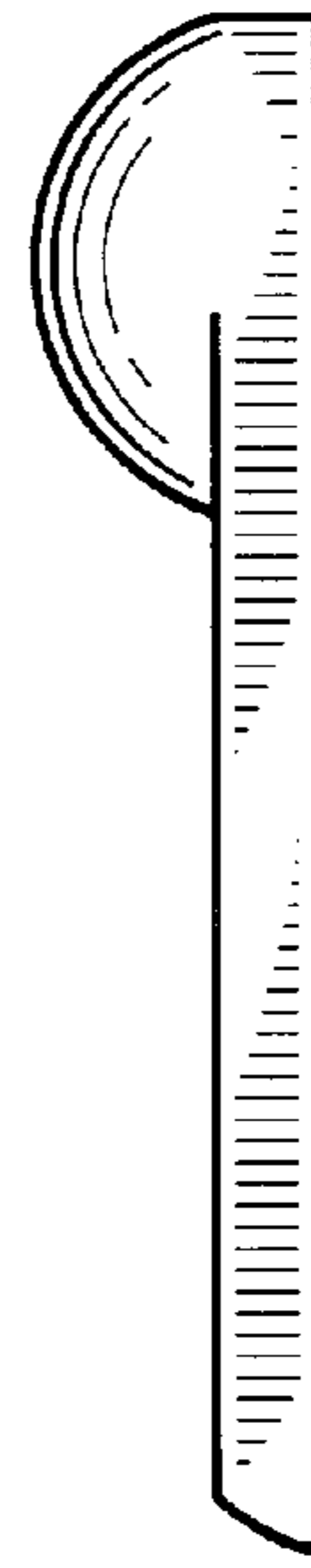


FIG. 8

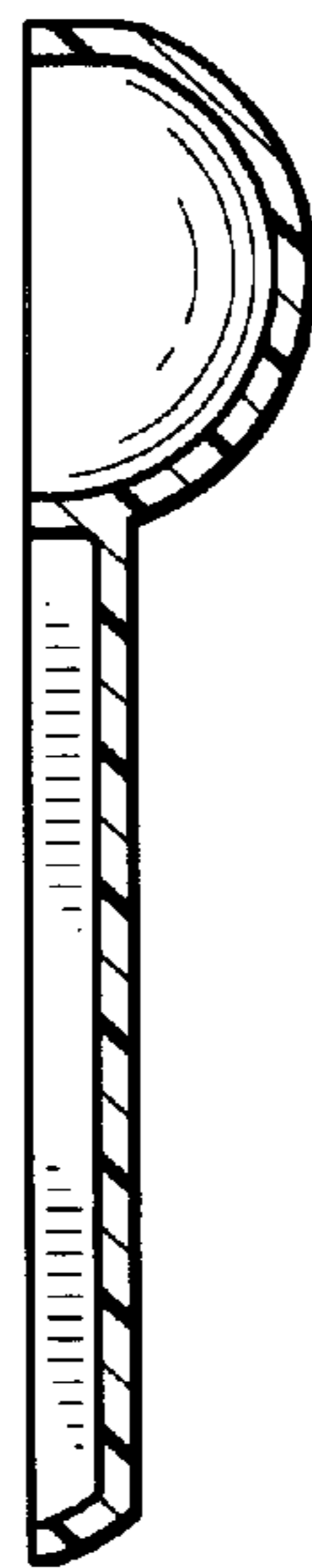


FIG. 9