



US00D417077S

United States Patent [19] Sheu

[11] **Patent Number: Des. 417,077**

[45] **Date of Patent: ** Nov. 30, 1999**

[54] **TOOL BOX**

[76] Inventor: **Shaw Shyan Sheu**, No. 113-8, Guan Jeng Road, Da Li City, Taichung Hsien, Taiwan

[**] Term: **14 Years**

[21] Appl. No.: **29/077,416**

[22] Filed: **Sep. 26, 1997**

[51] **LOC (6) Cl.** **03-01**

[52] **U.S. Cl.** **D3/294; D9/420; D9/423**

[58] **Field of Search** **D3/294, 273; D9/420, D9/423, 424; 206/373, 372, 349**

[56] **References Cited**

U.S. PATENT DOCUMENTS

D. 264,396	5/1982	Harvey et al.	D3/294
D. 287,906	1/1987	Tsuji et al.	D3/294
D. 311,644	10/1990	Chapin et al.	D3/905
D. 343,063	1/1994	Chen	D3/905

D. 343,120	1/1994	Lapsker et al.	D9/423
D. 345,650	4/1994	Boyd	D3/905
D. 347,114	5/1994	Tengvall	D3/905
D. 385,109	10/1997	Staheli	D3/294

Primary Examiner—Philip S. Hyder

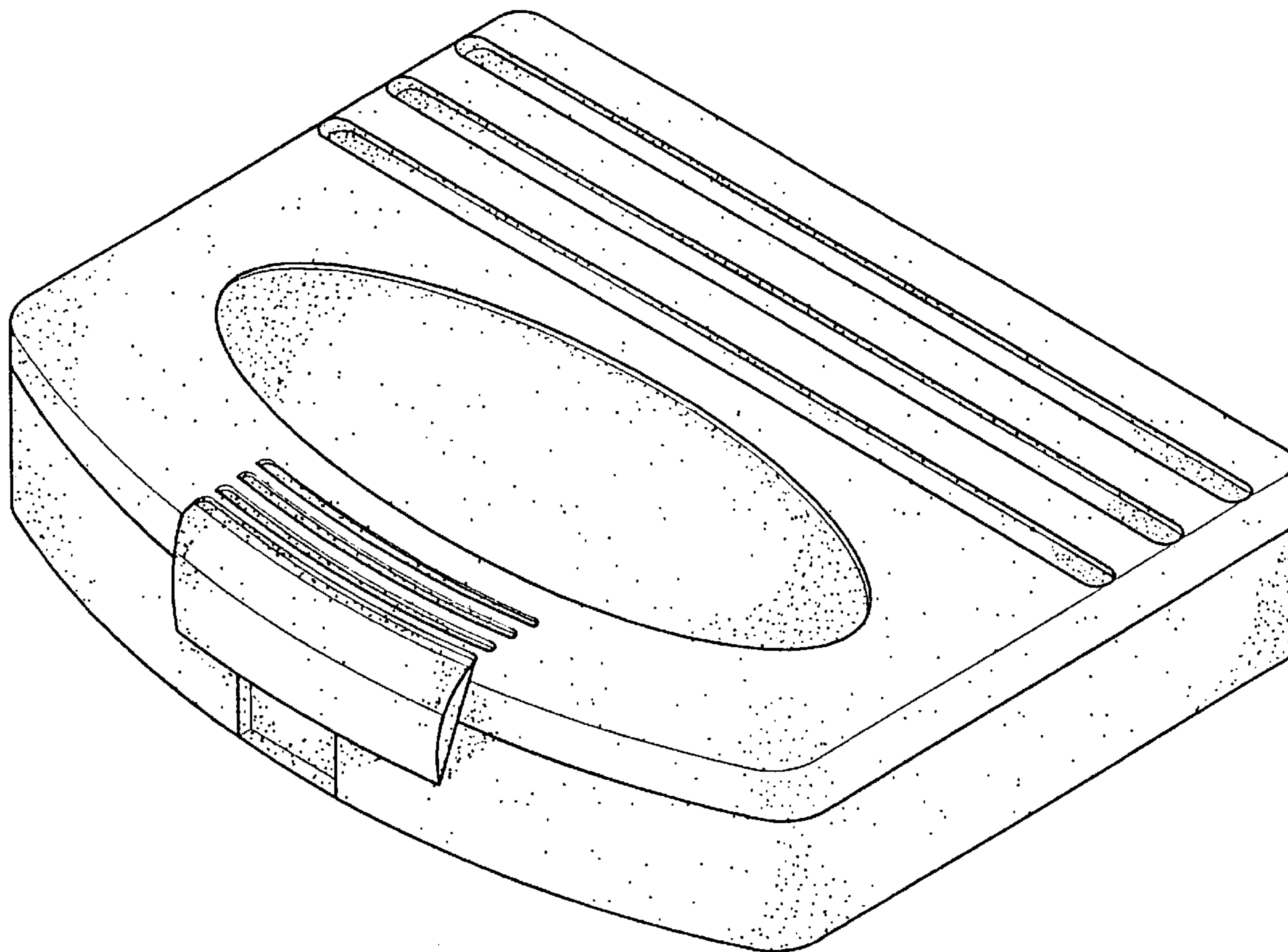
[57] **CLAIM**

The ornamental design for a tool box, as shown and described.

DESCRIPTION

FIG. 1 is a perspective view of a tool box showing my new design;
FIG. 2 is a front elevational view thereof;
FIG. 3 is a rear elevational view thereof;
FIG. 4 is a top plan view thereof;
FIG. 5 is a bottom plan view thereof;
FIG. 6 is a left side elevational view thereof; and,
FIG. 7 is a right side elevational view thereof.

1 Claim, 5 Drawing Sheets



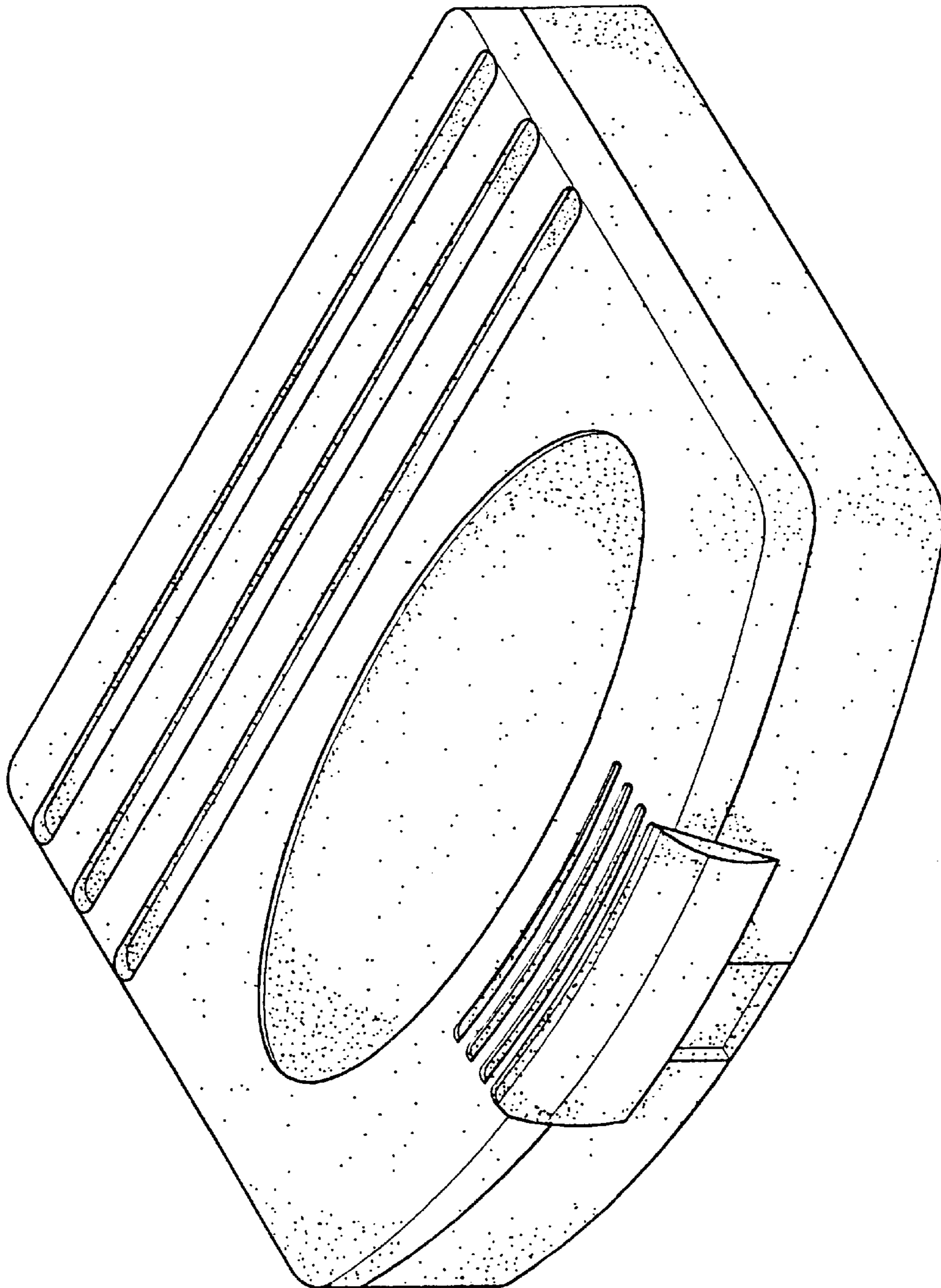


FIG. 1



FIG. 2

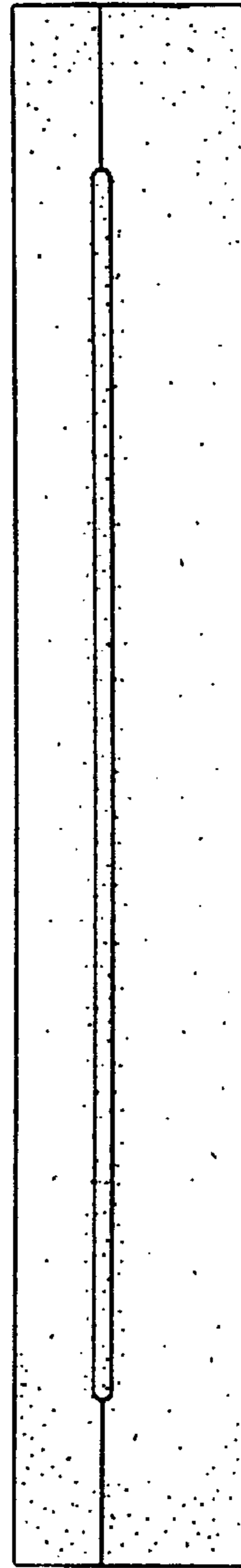


FIG. 3

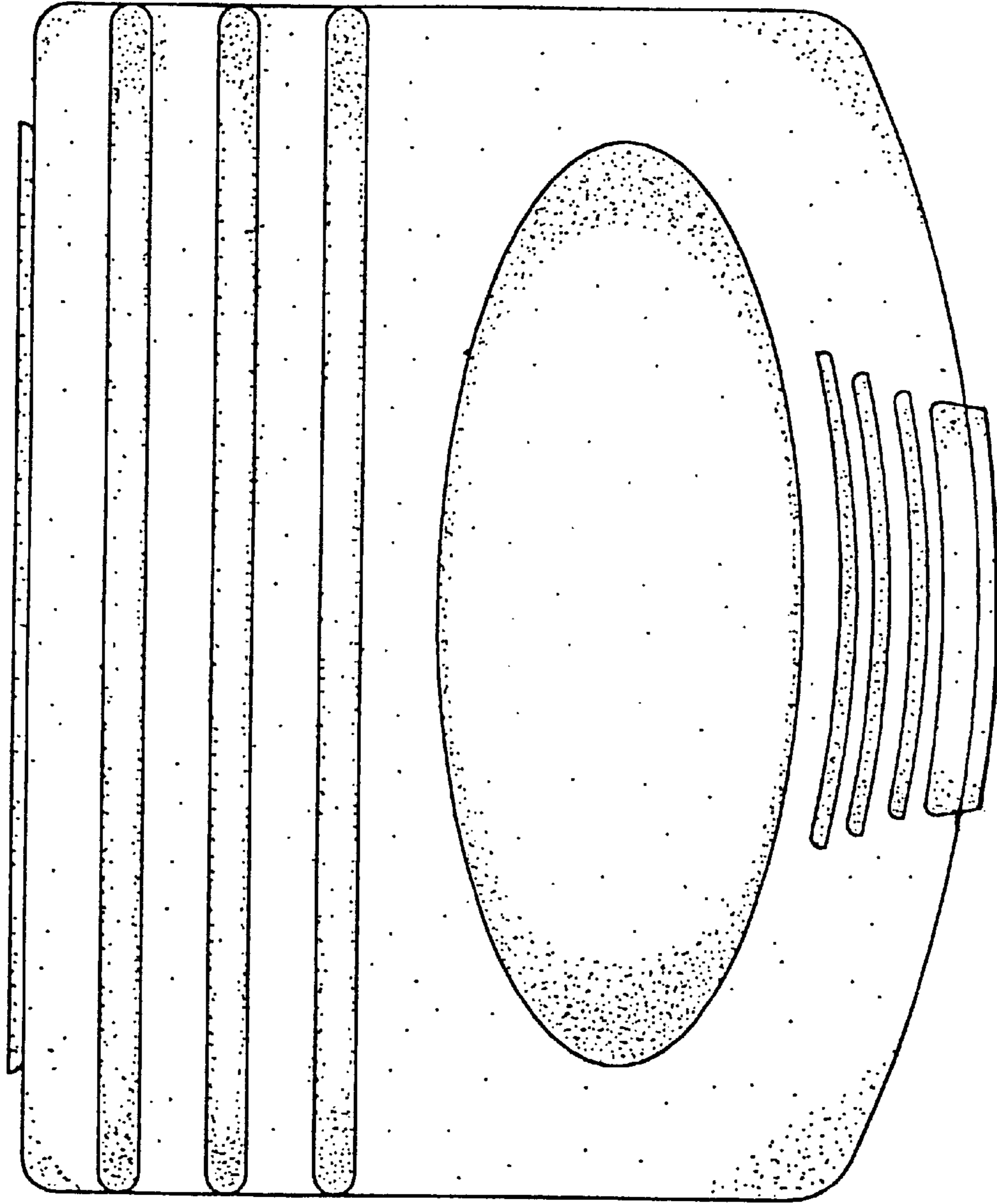


FIG. 4

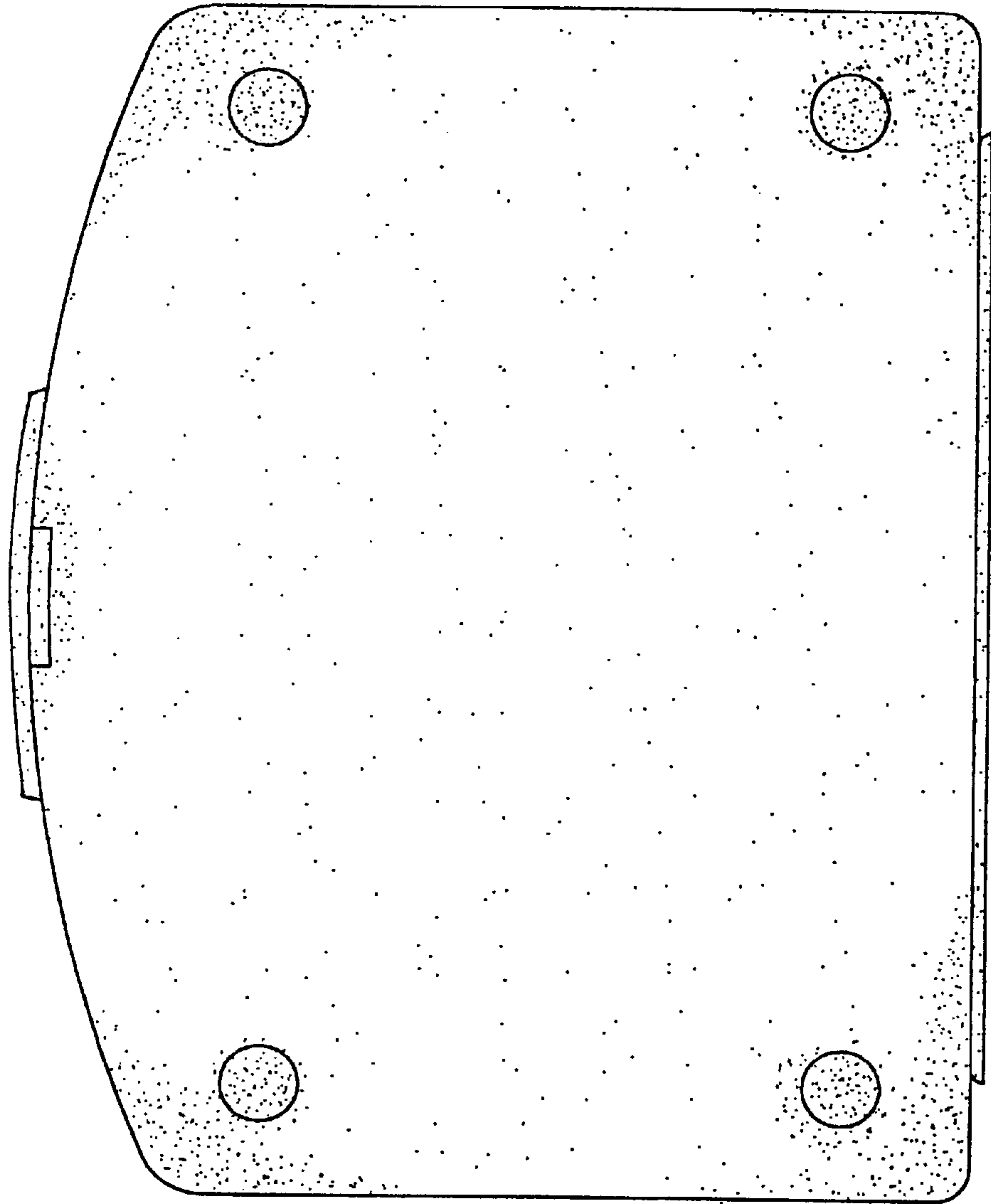


FIG. 5

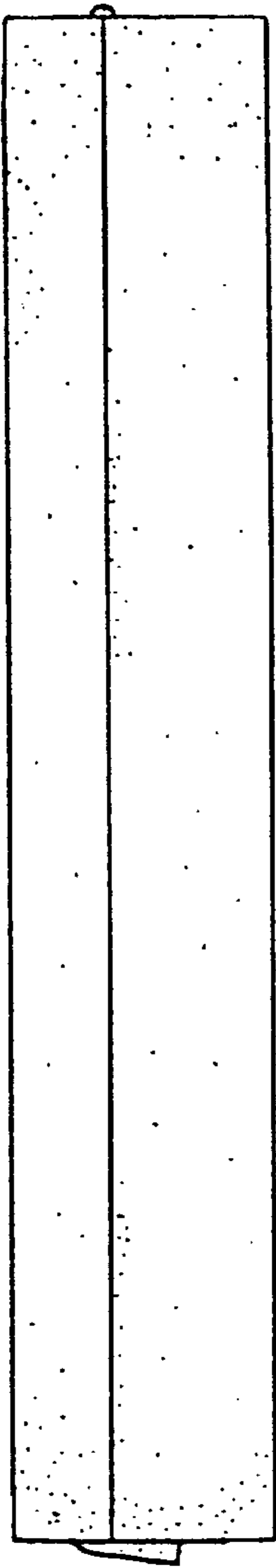


FIG. 7

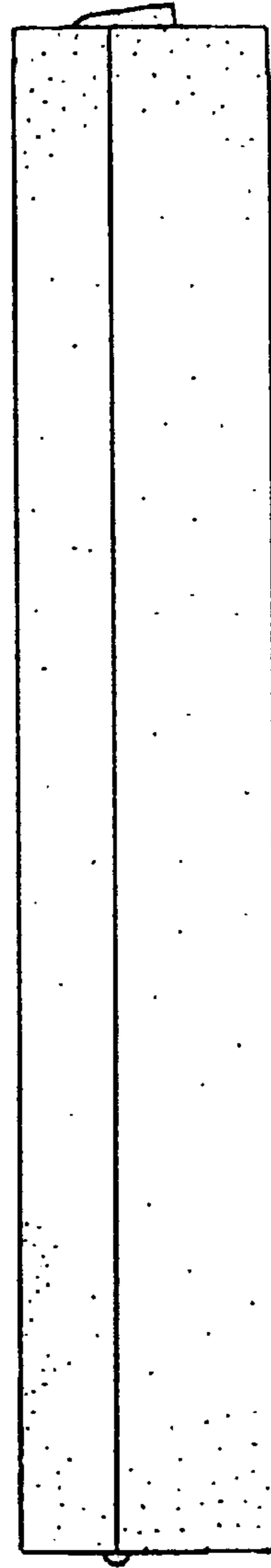


FIG. 6