



US00D417062S

# United States Patent [19] Williams

[11] **Patent Number: Des. 417,062**

[45] **Date of Patent: \*\* Nov. 30, 1999**

[54] **APRON FOR ORDER PICKERS**

[76] **Inventor: Mark K. Williams, P. O. Box 9931,  
Spokane, Wash. 99209**

[\*\*] **Term: 14 Years**

[21] **Appl. No.: 29/102,311**

[22] **Filed: Mar. 22, 1999**

[51] **LOC (6) Cl. .... 02-02**

[52] **U.S. Cl. .... D2/864; D2/860; D2/861**

[58] **Field of Search .... D2/860-861, 864,  
D2/829; 2/48, 49.1, 49.2; 150/2; 224/205,  
207**

[56] **References Cited**

**U.S. PATENT DOCUMENTS**

D. 133,954	9/1942	Siegle .....	D2/864
D. 257,596	12/1980	Rosenbloom, III .....	D2/864
D. 259,673	6/1981	Ruszczynski .....	D2/864
D. 269,136	5/1983	Presentin .....	D2/829
D. 275,812	10/1984	Deacon .....	D2/864
0,615,293	12/1898	Maier .....	2/49.2

1,592,283	7/1926	McKenzie .....	2/48
2,570,848	10/1951	Ozenberger .....	2/48
3,407,407	10/1968	Hollander et al. ....	2/49.2

*Primary Examiner*—Celia Murphy  
*Attorney, Agent, or Firm*—Keith S. Bergman

[57] **CLAIM**

The ornamental design for apron for order pickers, as shown and described.

**DESCRIPTION**

FIG. 1 is an isometric view of an apron for order pickers showing my new design;  
FIG. 2 is a front elevational view thereof;  
FIG. 3 is a back elevational view thereof;  
FIG. 4 is a right side elevational view thereof;  
FIG. 5 left side elevational view thereof;  
FIG. 6 is a top view thereof; and,  
FIG. 7 is a bottom view thereof.

The broken lines shown in FIGS. 1 and 2 are understood to represent stitching.

**1 Claim, 5 Drawing Sheets**

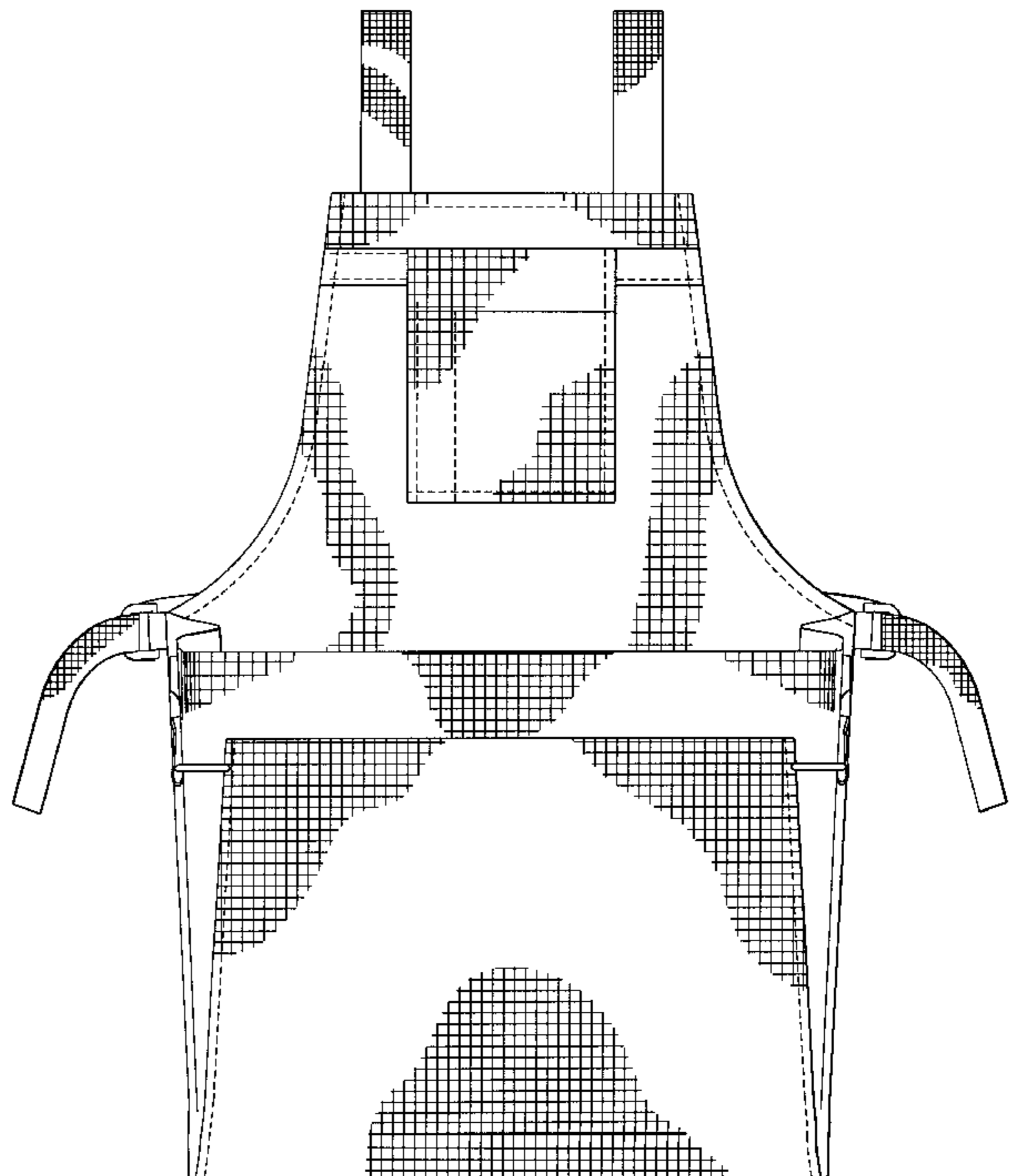
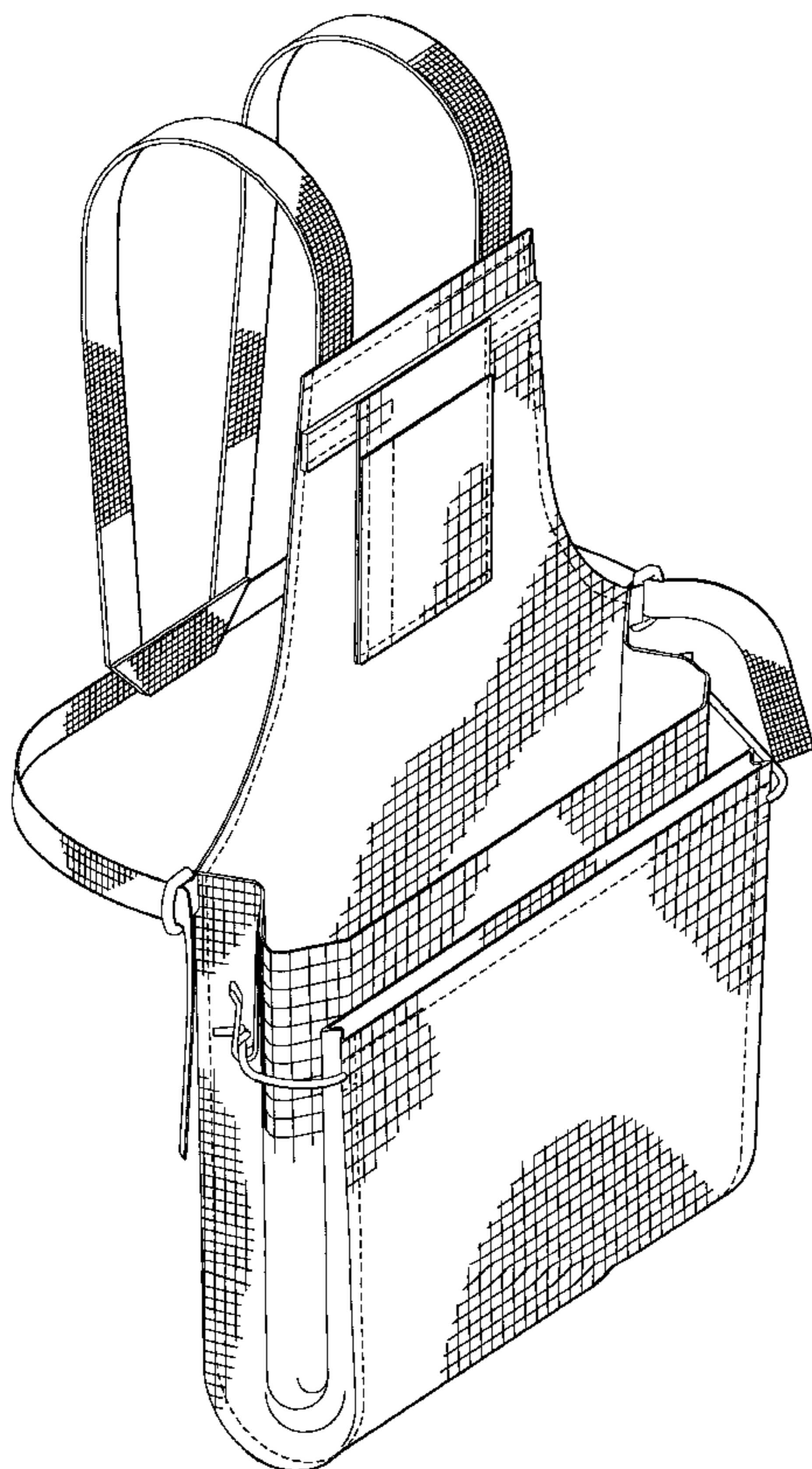
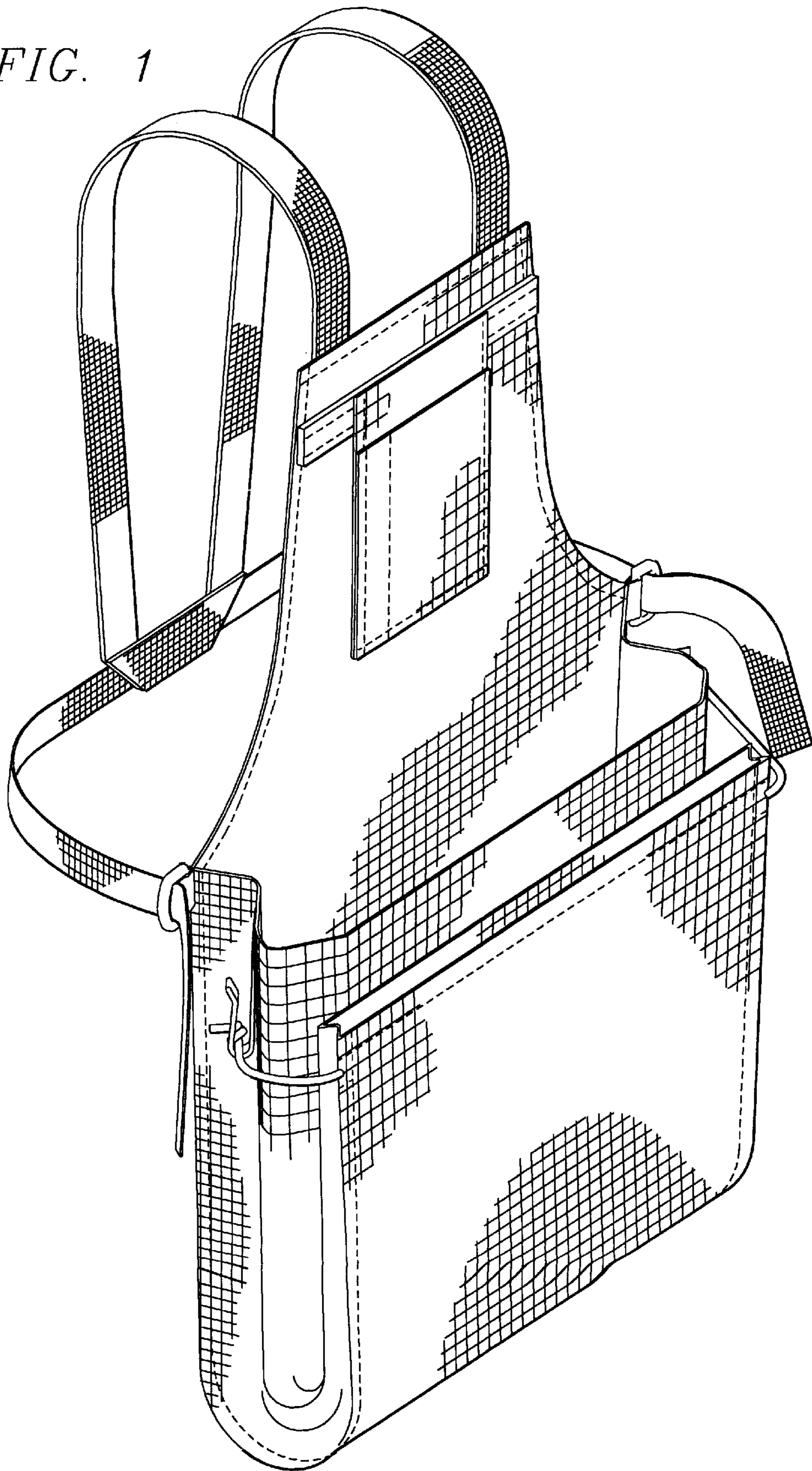


FIG. 1



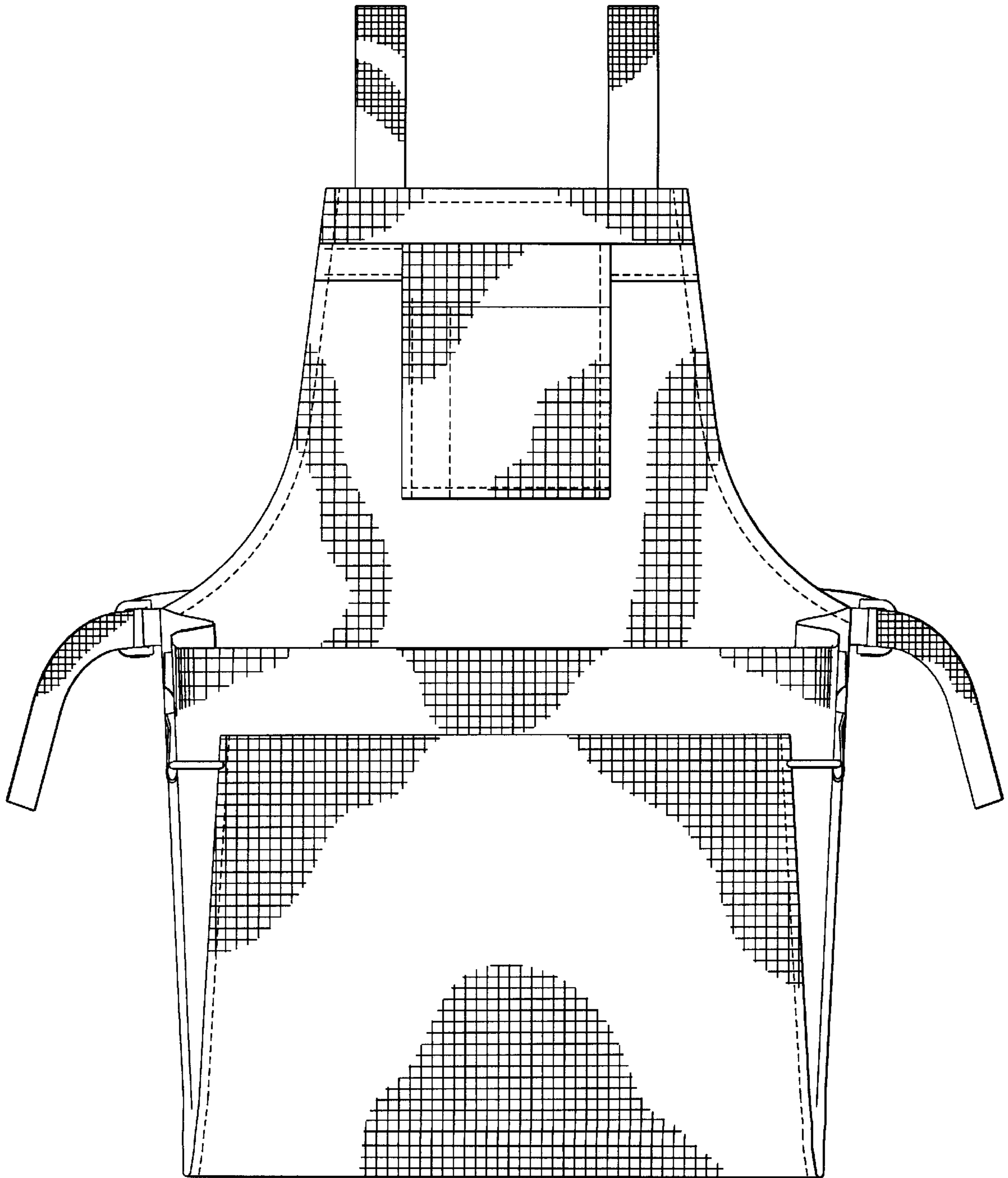


FIG. 2

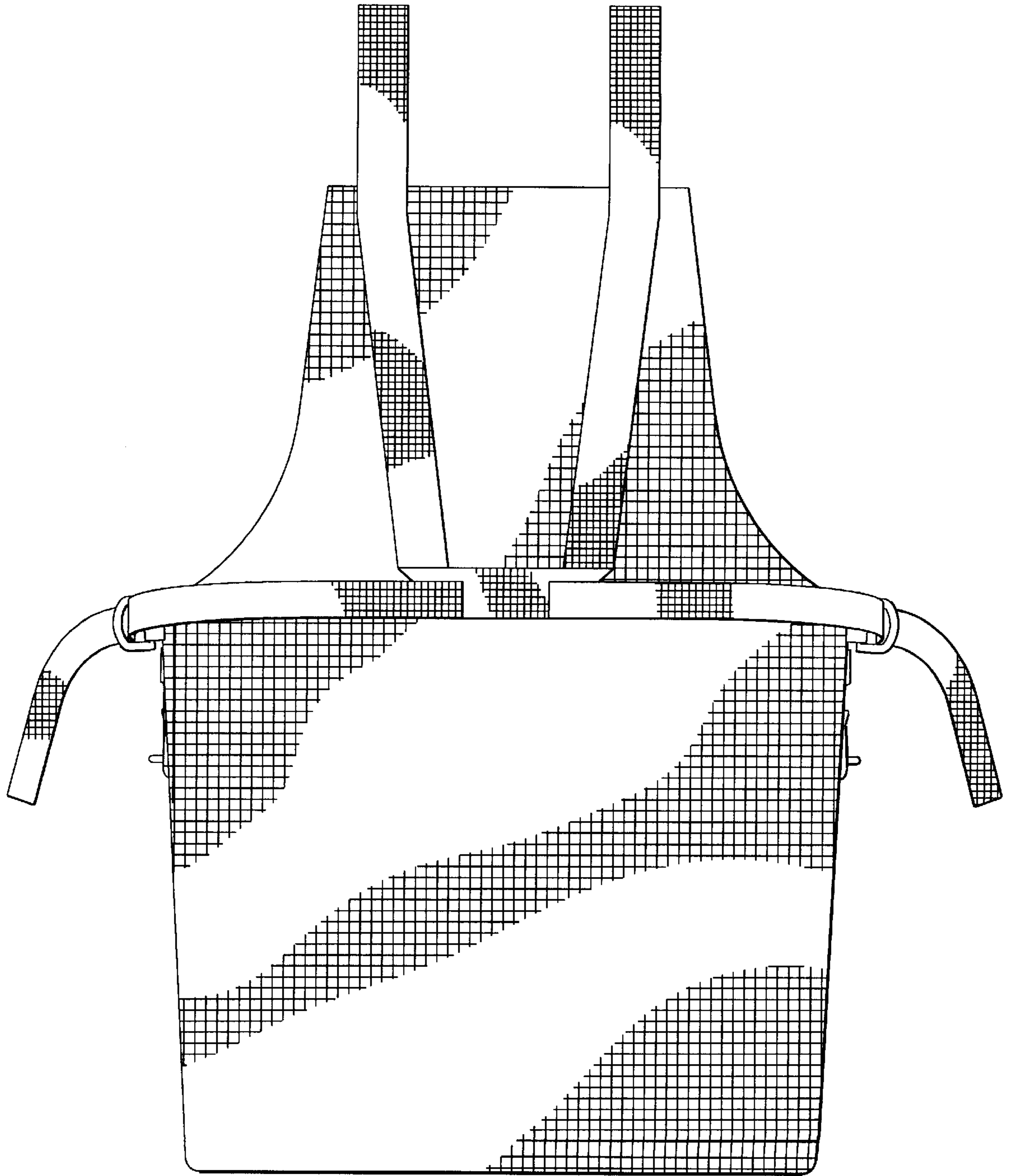


FIG. 3

FIG. 4

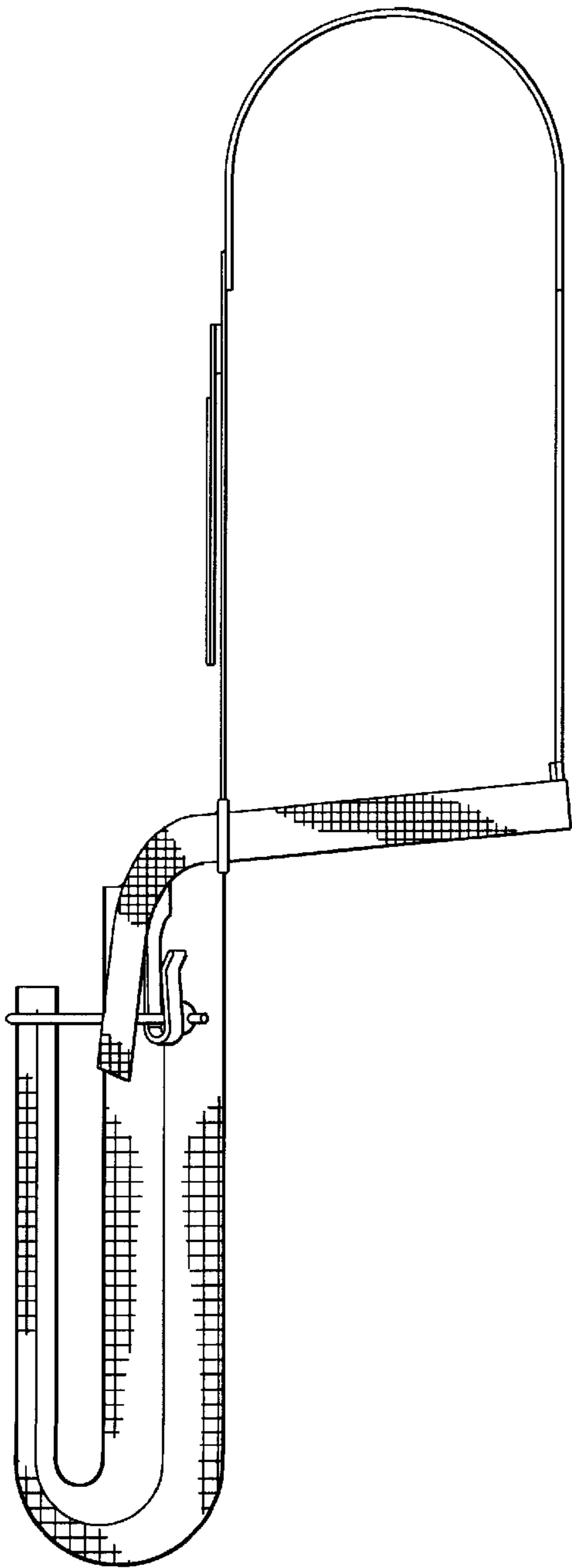


FIG. 5

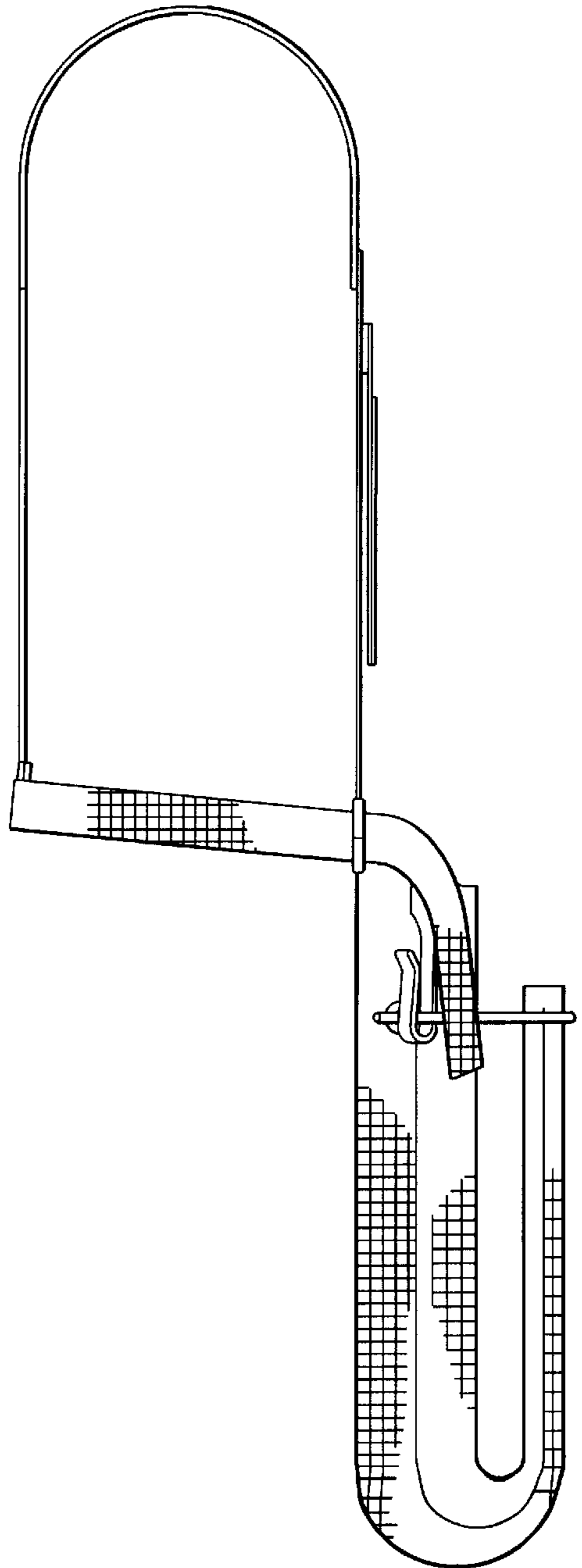


FIG. 7

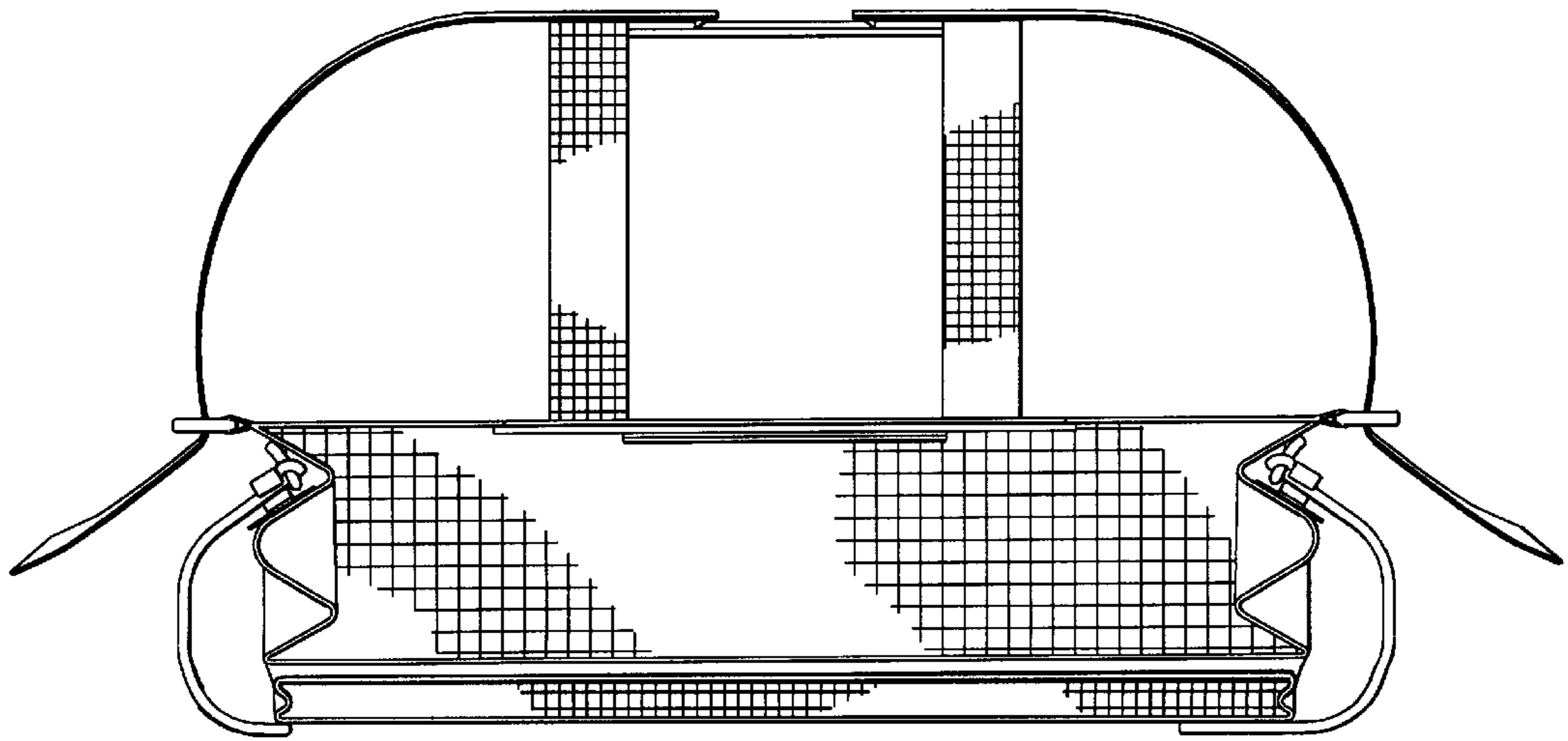
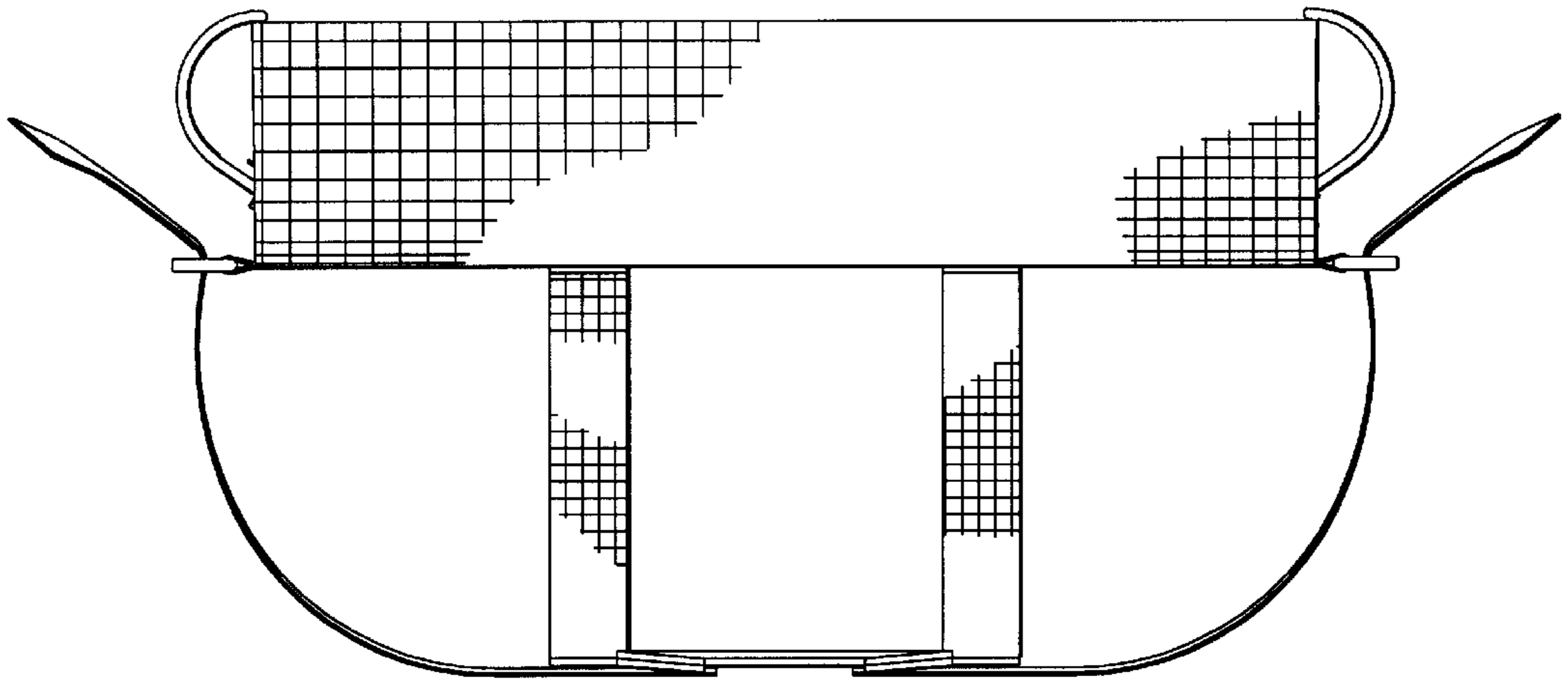


FIG. 6