



US00D417060S

United States Patent [19]
Richter

[11] **Patent Number: Des. 417,060**

[45] **Date of Patent: ** Nov. 23, 1999**

[54] **COIN WRAPPING APPARATUS**

2,736,478 2/1956 Bornhardt, Jr. 53/254
3,107,467 10/1963 Gates D99/34

[76] Inventor: **Herbert Richter**, Drosselweg 8, 75331
Engelbrand, Germany

Primary Examiner—Paula A. Mortimer
Attorney, Agent, or Firm—Klaus J. Bach

[**] Term: **14 Years**

[57] **CLAIM**

[21] Appl. No.: **29/100,085**

The ornamental design for a coin wrapping apparatus, as shown and described.

[22] Filed: **Feb. 3, 1999**

DESCRIPTION

[51] **LOC (6) Cl.** **99-00**

[52] **U.S. Cl.** **D99/34**

[58] **Field of Search** D99/28, 34, 35,
D99/43, 99; D18/3; D6/467, 511; D3/313;
D10/46.1, 97; 206/0.81, 0.83, 0.84; 232/5;
53/254; 453/59, 60, 62

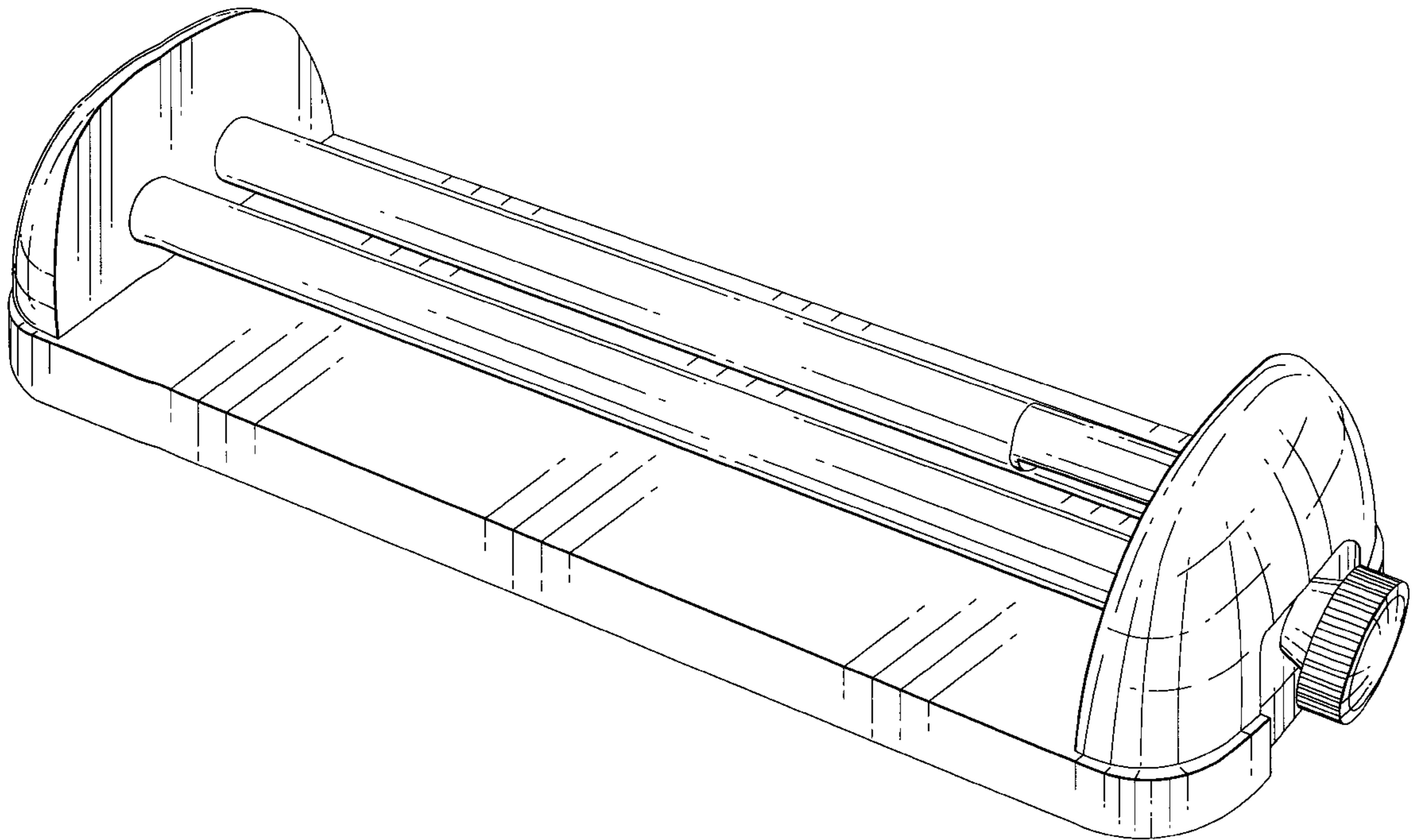
FIG. 1 is a perspective view of the coin wrapping apparatus;
FIG. 2 is a front view of the coin wrapping apparatus shown
in FIG. 1;
FIG. 3 is top view of the coin wrapping apparatus shown in
FIG. 2;
FIG. 4 is a bottom view of the coin wrapping apparatus
shown in FIG. 2;
FIG. 5 is a left end view of the coin wrapping apparatus
shown in FIG. 2; and,
FIG. 6 is a right end view of the coin wrapping apparatus
shown in FIG. 2.

[56] **References Cited**

U.S. PATENT DOCUMENTS

- D. 192,611 4/1962 Bryant D10/97
- D. 247,992 5/1978 Garson D99/34 X
- D. 276,442 11/1984 Holland D18/3
- D. 323,231 1/1992 Fucell D99/34

1 Claim, 4 Drawing Sheets



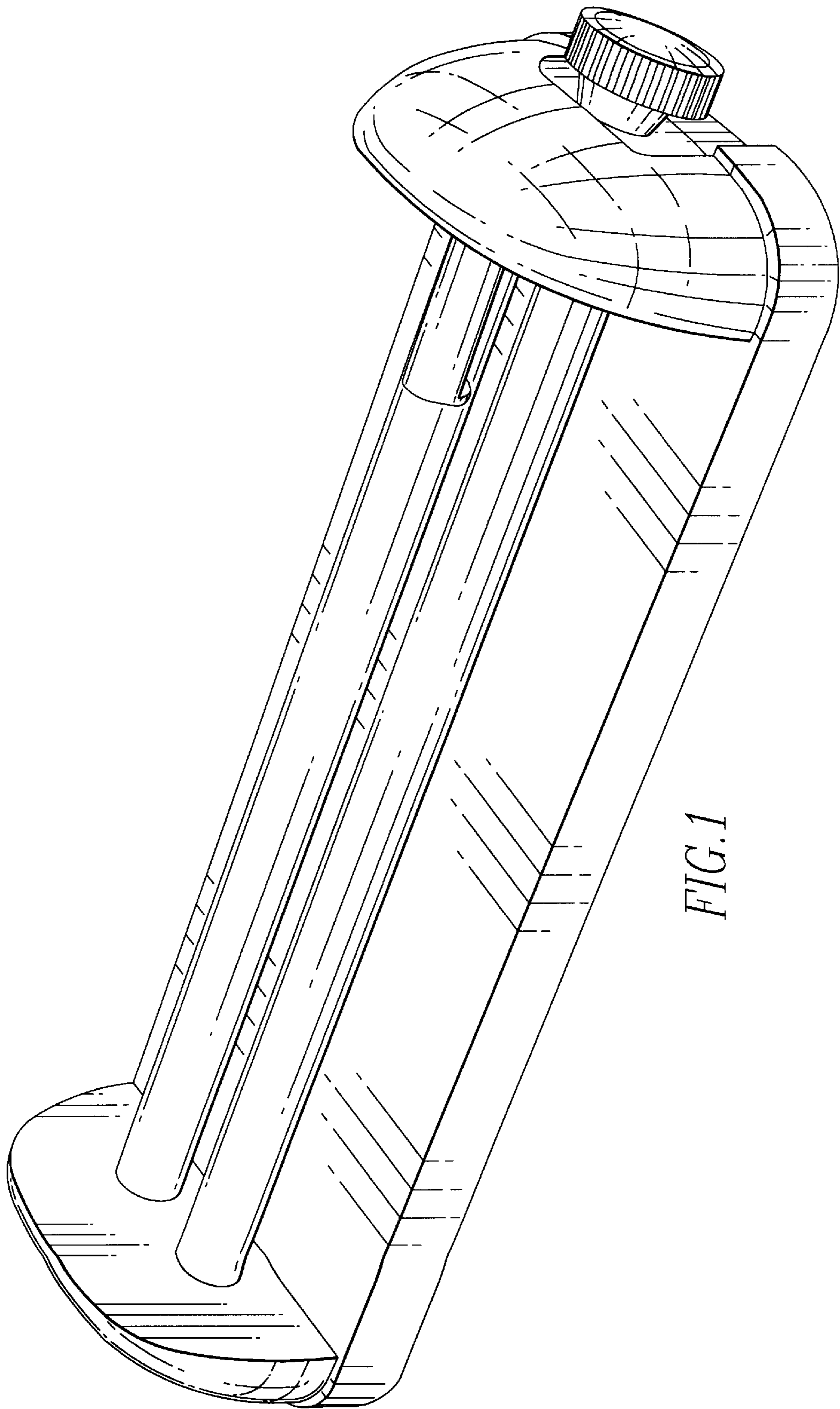


FIG. 1

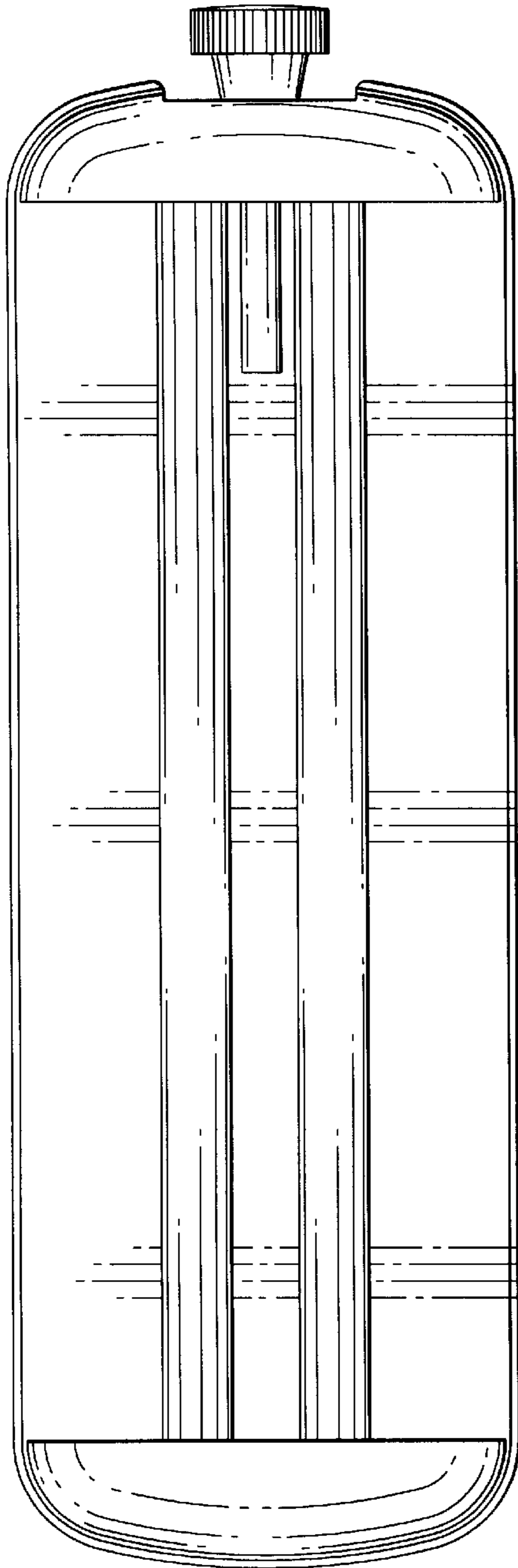


FIG. 3

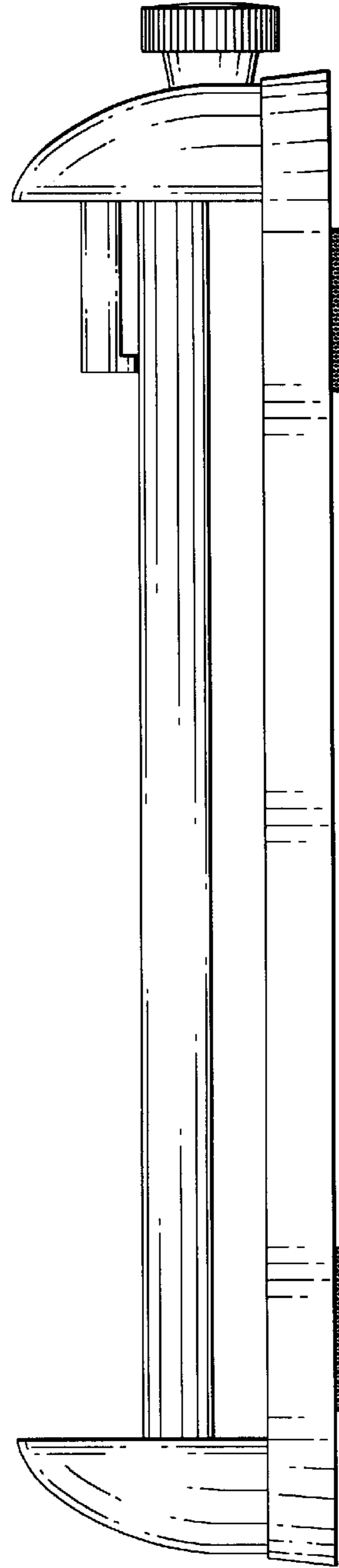


FIG. 2

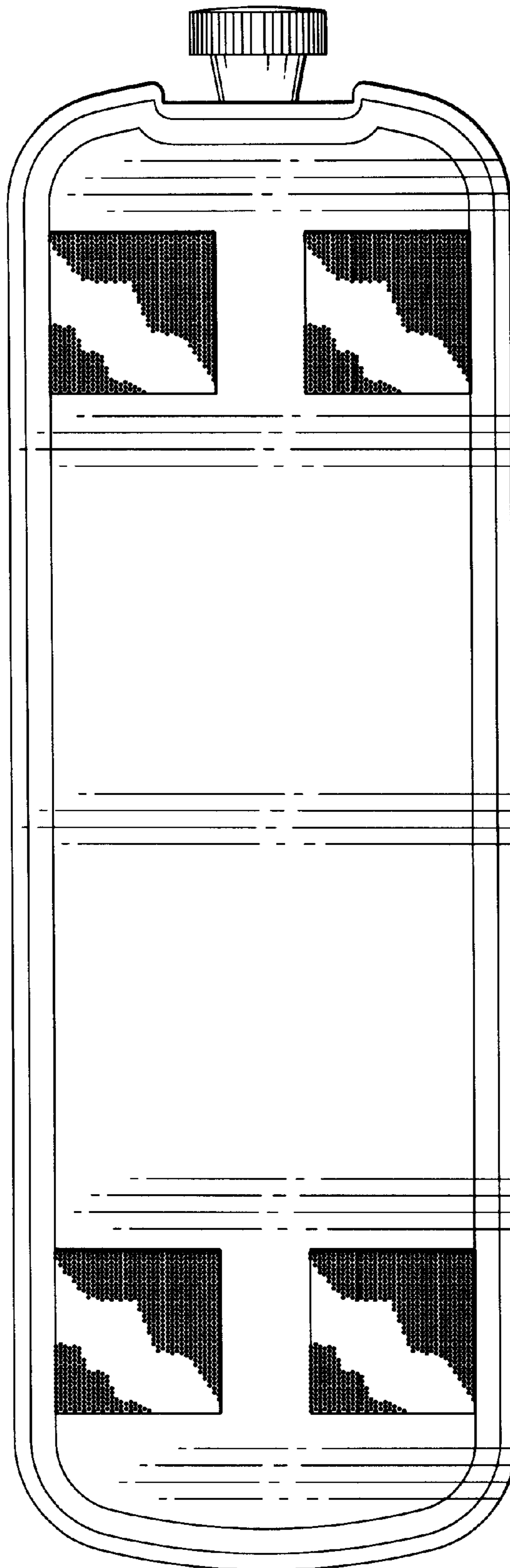


FIG. 4

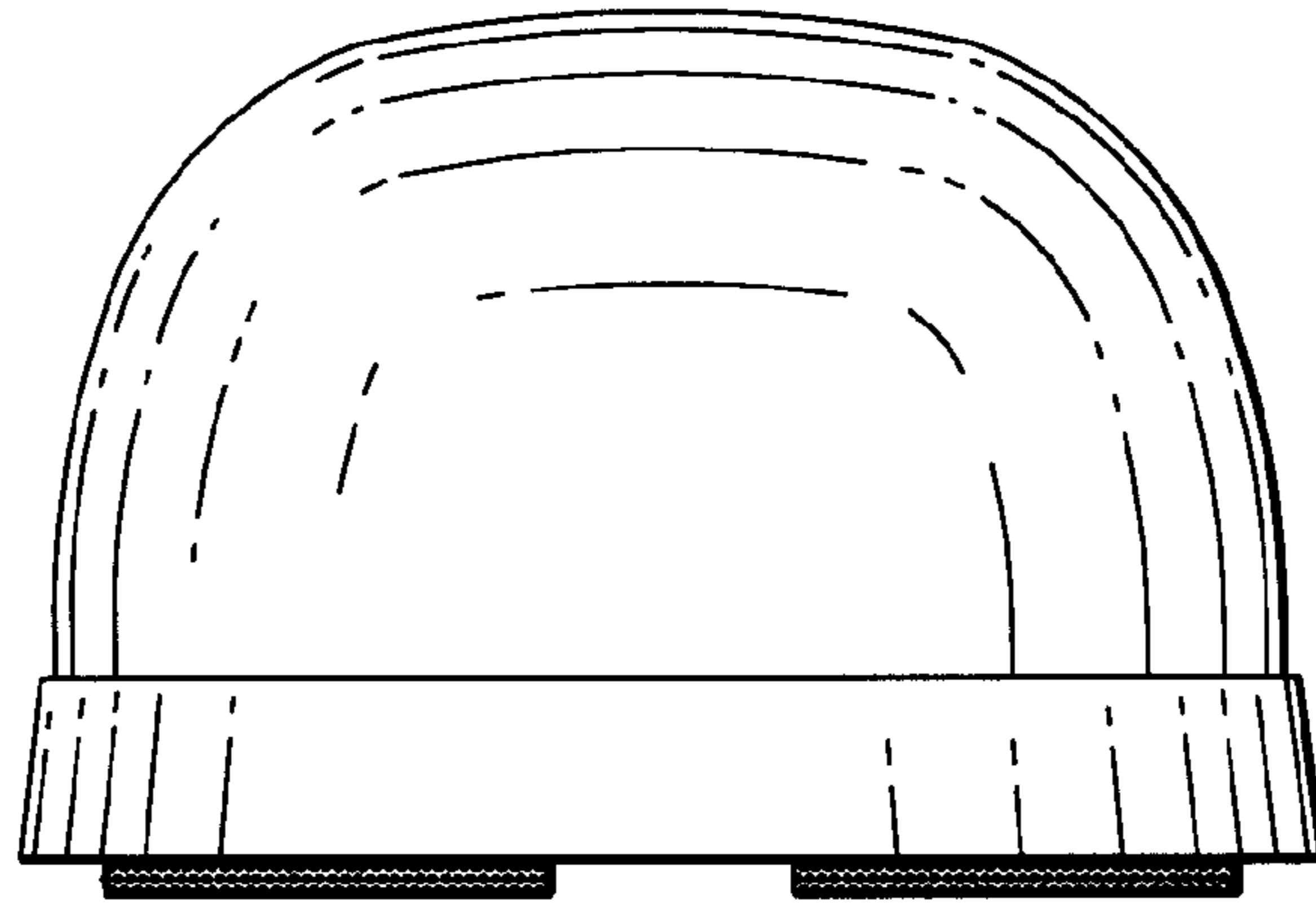


FIG. 5

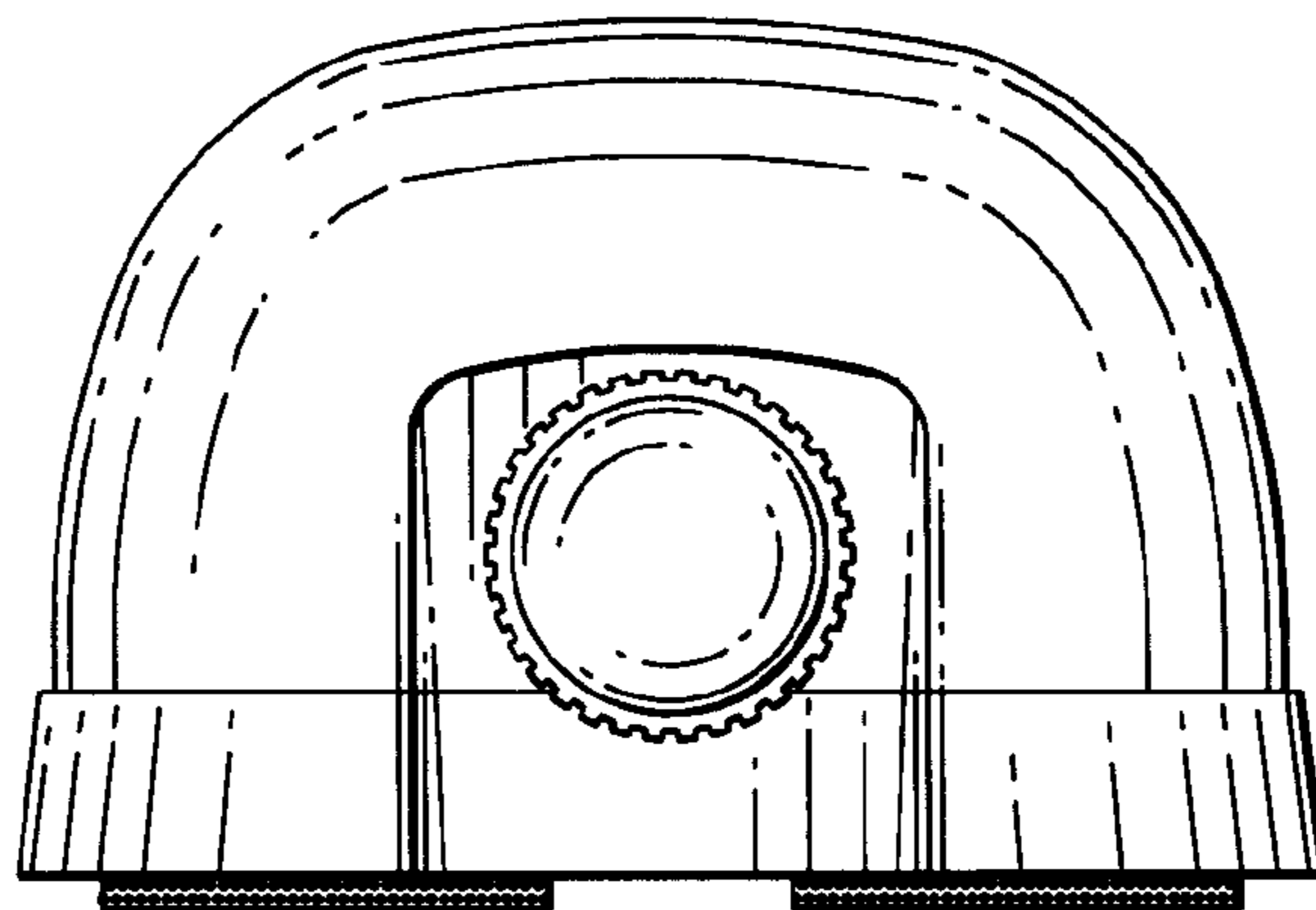


FIG. 6