



US00D417059S

United States Patent [19]
Richter

[11] **Patent Number: Des. 417,059**

[45] **Date of Patent: ** Nov. 23, 1999**

[54] **COIN PROPORTIONING DEVICE**

3,107,467 10/1963 Gates D99/34

[76] Inventor: **Herbert Richter**, Drosselweg 8, 75331
Engelbrand, Germany

Primary Examiner—Paula A. Mortimer
Attorney, Agent, or Firm—Klaus J. Bach

[**] Term: **14 Years**

[57] **CLAIM**

[21] Appl. No.: **29/100,084**

The ornamental design for a coin proportioning device, as shown and described.

[22] Filed: **Feb. 3, 1999**

DESCRIPTION

[51] **LOC (6) Cl.** **99-00**

[52] **U.S. Cl.** **D99/34**

[58] **Field of Search** D99/28, 34, 35,
D99/43, 99; D18/3; D6/467, 511; D3/313;
D10/46.1, 97; 206/81, 83, 84; 232/5; 53/254;
453/59, 60, 62

FIG. 1 is a perspective view of the coin proportioning device;

FIG. 2 is a top view of the coin proportioning device shown in FIG. 1;

FIG. 3 is a front view of the coin proportioning device shown in FIG. 2;

FIG. 4 is a bottom view of the coin proportioning device shown in FIG. 2;

FIG. 5 is a left end view of the coin proportioning device shown in FIG. 2; and,

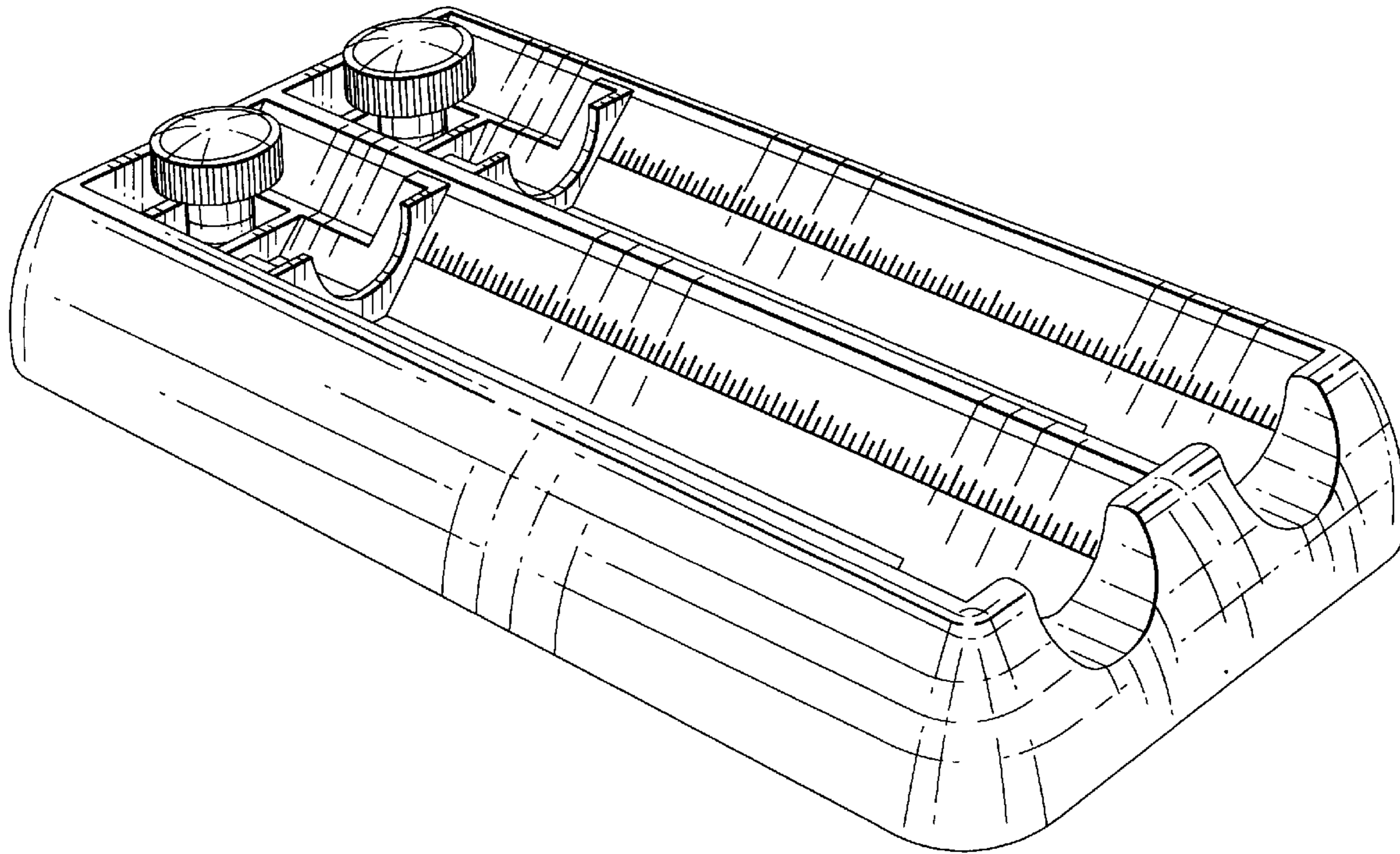
FIG. 6 is a right end view of the coin proportioning device shown in FIG. 2.

[56] **References Cited**

U.S. PATENT DOCUMENTS

| | | | | |
|------------|---------|---------|-------|--------|
| D. 276,442 | 11/1984 | Holland | | D18/3 |
| D. 292,739 | 11/1987 | Izant | | D99/34 |
| D. 303,863 | 10/1989 | Purifoy | | D99/34 |
| 2,839,243 | 6/1958 | Miller | | 232/5 |

1 Claim, 4 Drawing Sheets



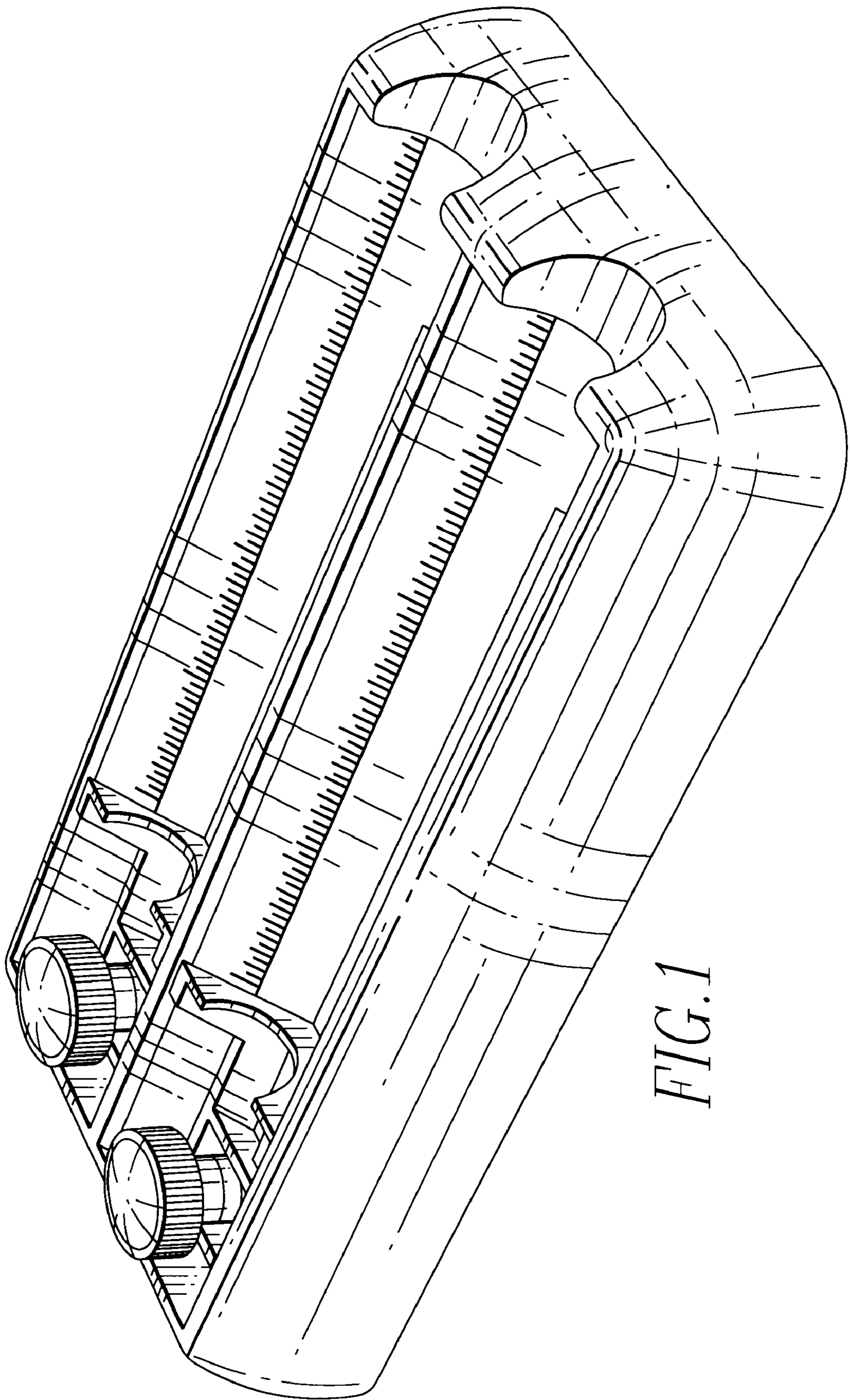


FIG. 1

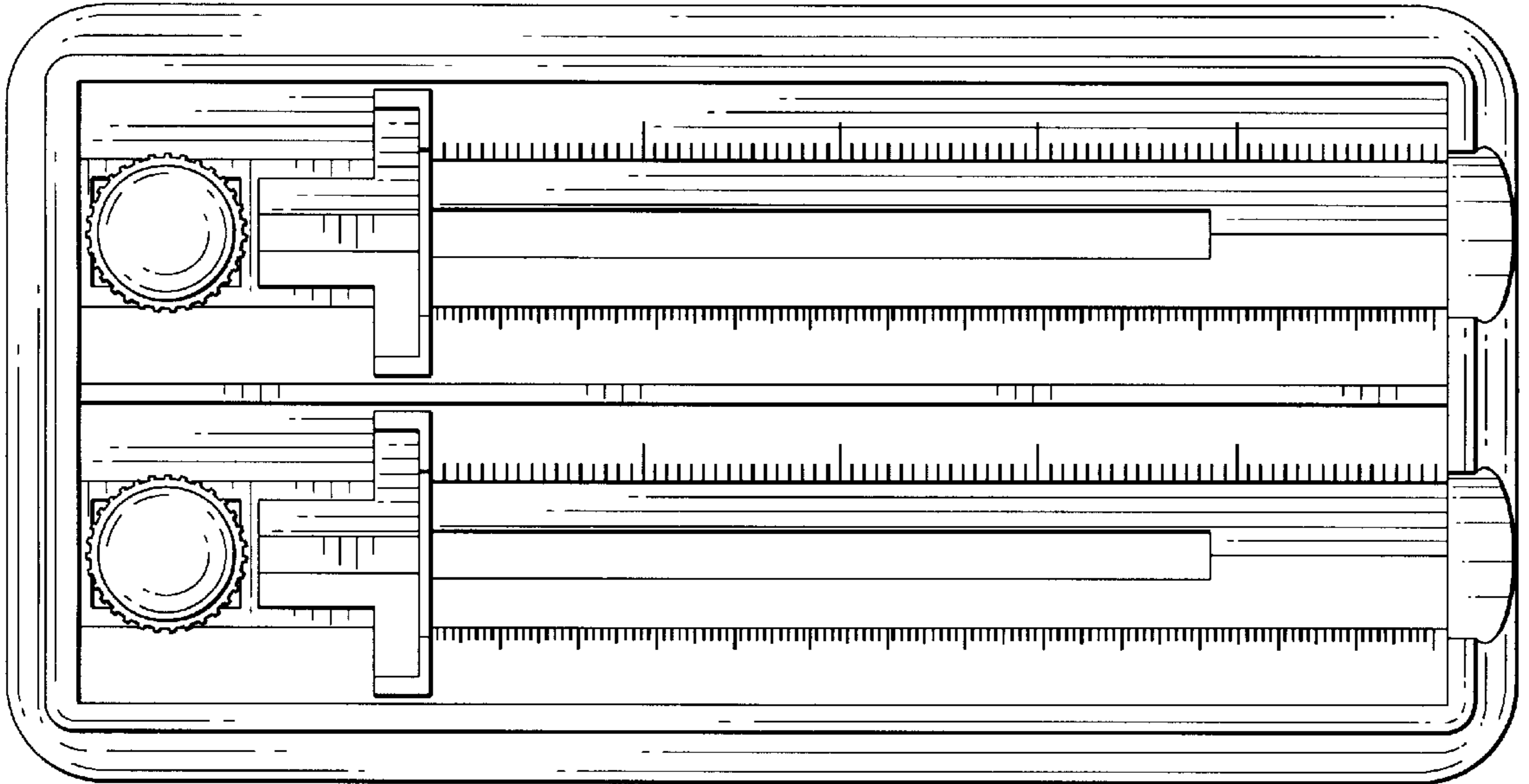


FIG. 2

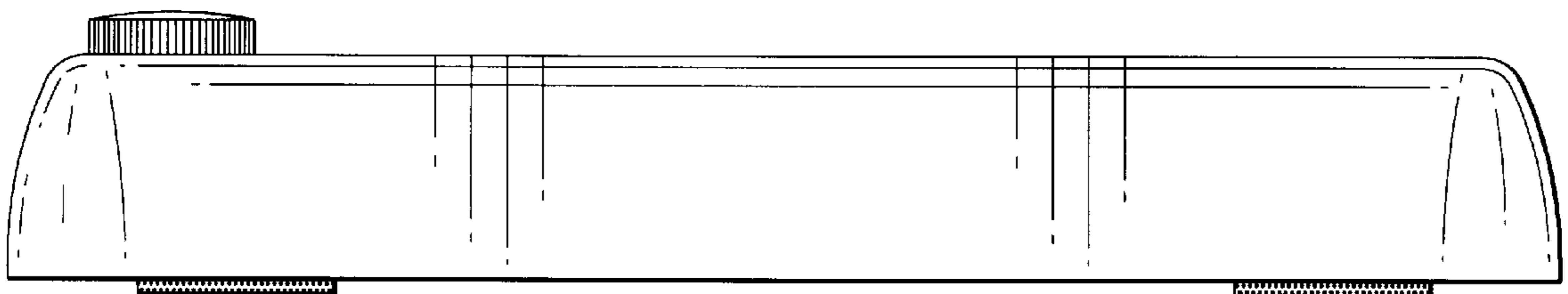


FIG. 3

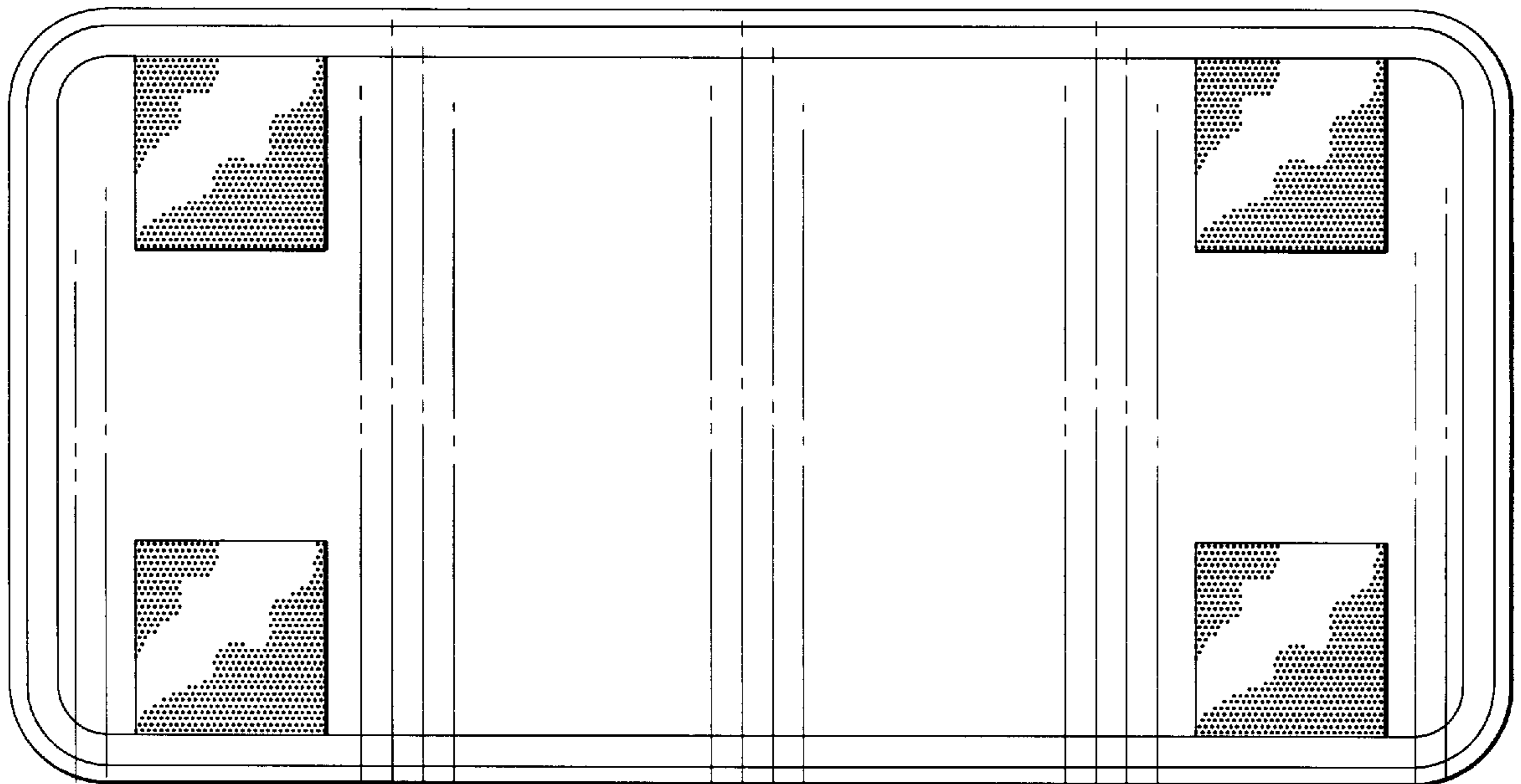


FIG. 4

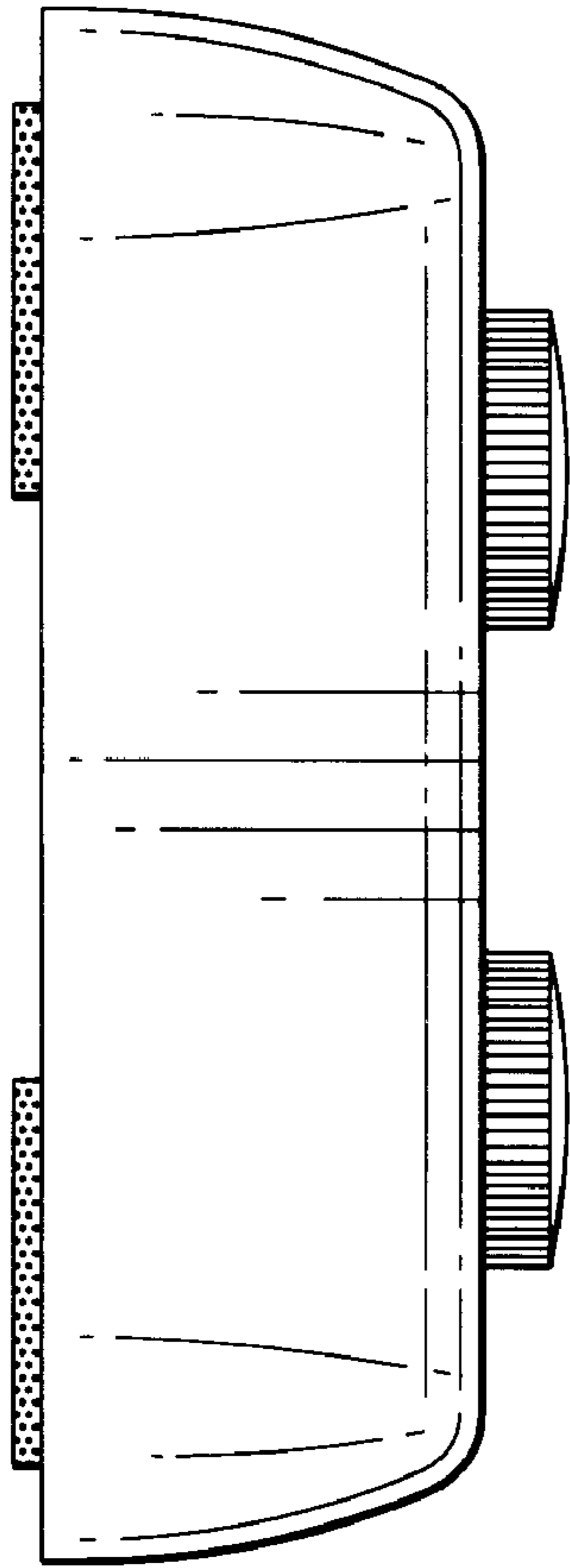


FIG. 5

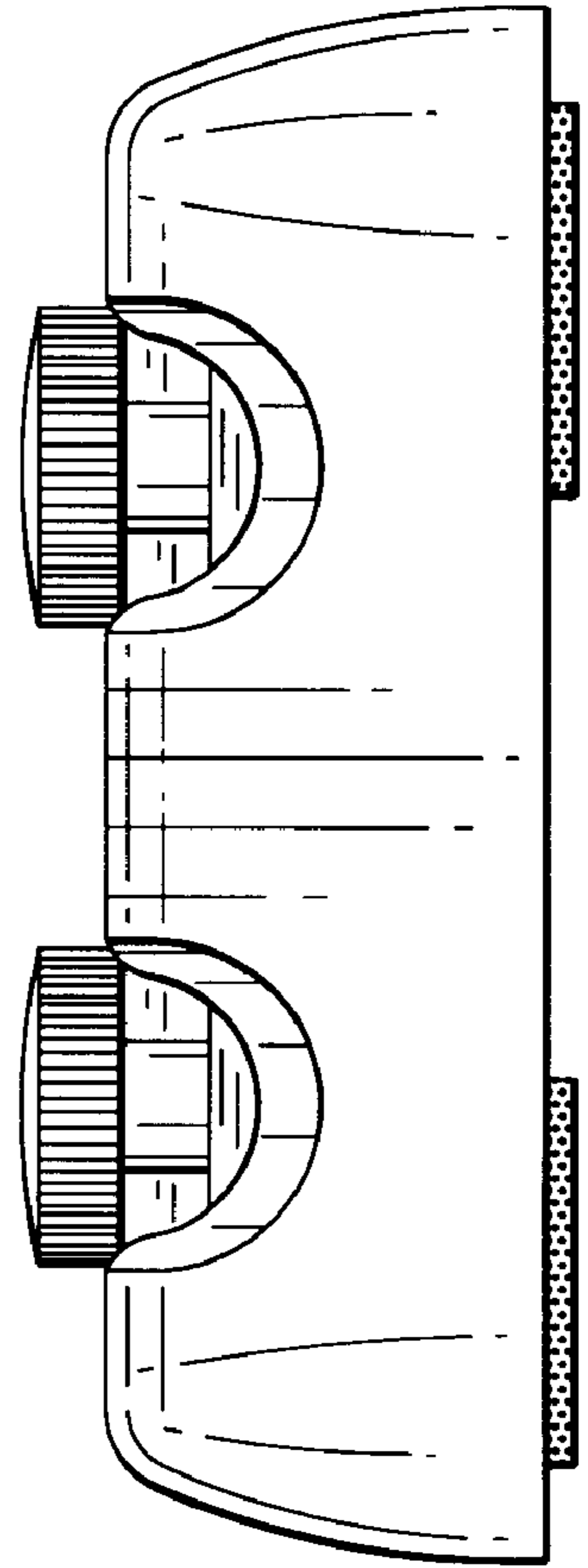


FIG. 6