



US00D417058S

United States Patent [19]

[11] Patent Number: **Des. 417,058**

Royal et al.

[45] Date of Patent: **** Nov. 23, 1999**

[54] MAILBOX

[76] Inventors: **Rodney DeWayne Royal; Willard Mark Grogan**, both of 4681 Campground Rd., Alexander City, Ala. 35010

[**] Term: **14 Years**

[21] Appl. No.: **29/099,236**

[22] Filed: **Jan. 18, 1999**

[51] LOC (6) Cl. **99-00**

[52] U.S. Cl. **D99/30**

[58] Field of Search D99/29, 30, 31, D99/32, 42; 232/19, 20, 27, 39; 446/446; D14/114; D16/134; D2/869; D21/549, 548, 426; D12/86, 90-92

- D. 387,748 12/1997 Martella D14/114
- D. 390,433 2/1998 Miller D21/549 X
- D. 390,584 2/1998 Layton D16/134
- D. 393,304 4/1998 Yeh D21/548
- D. 393,536 4/1998 Buffer et al. D2/869
- D. 400,341 11/1998 House D2/869
- D. 404,027 1/1999 Bush D14/114
- D. 406,437 3/1999 Tullenors D2/869
- D. 407,536 4/1999 Segal D2/869

Primary Examiner—Paula A. Mortimer
Attorney, Agent, or Firm—John D. Gugliotta

[57] CLAIM

The ornamental design for a mailbox, as shown and described.

DESCRIPTION

FIG. 1 is a front perspective view of a mailbox showing my new design, a portion of the post is fragmented for clarity of illustration;

FIG. 2 is a front elevational view thereof;

FIG. 3 is a rear elevational view thereof;

FIG. 4 is a left side elevational view thereof;

FIG. 5 is an opposite side elevational view thereof;

FIG. 6 is a top plan view thereof; and,

FIG. 7 is a bottom plan view thereof.

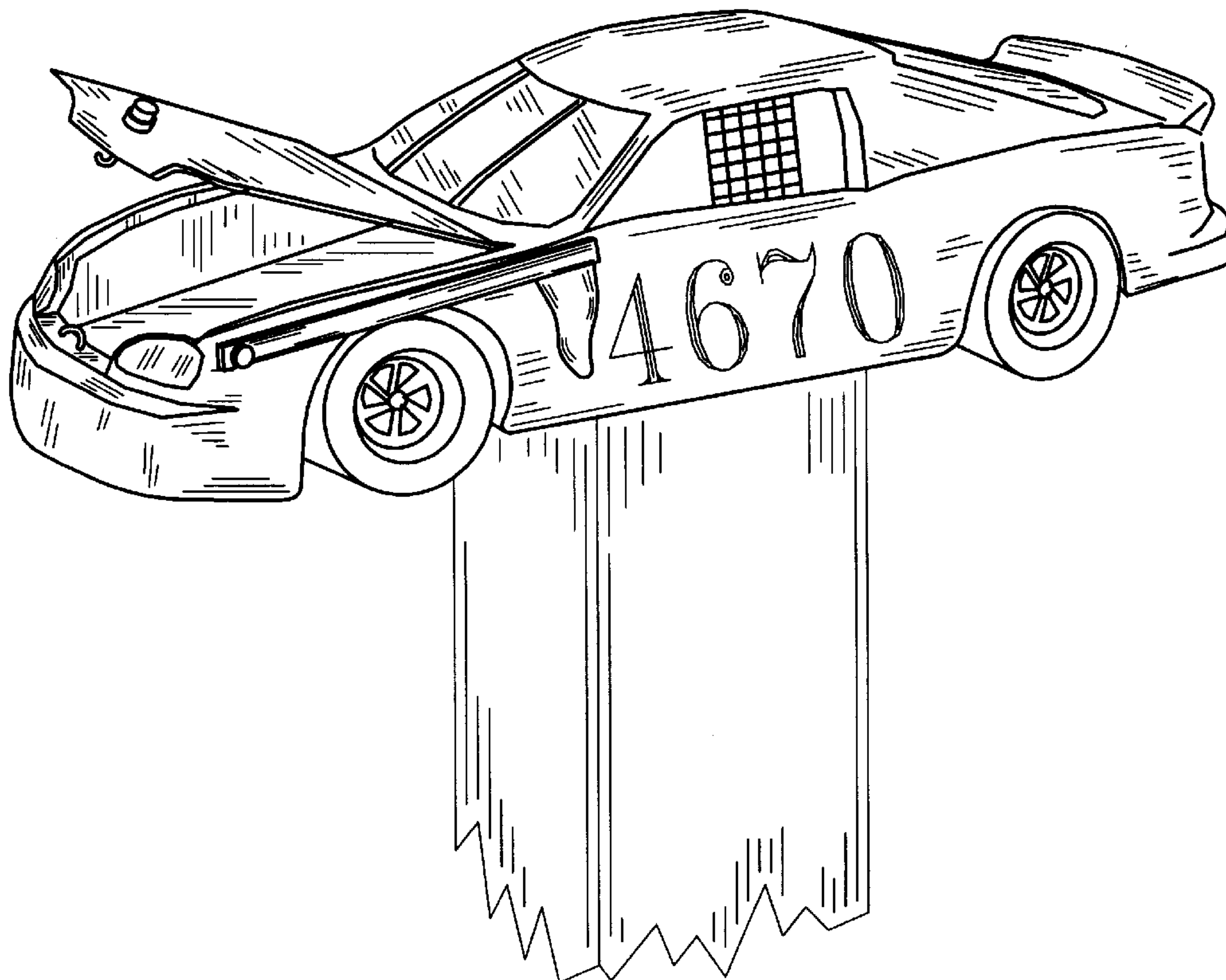
The broken line showing of the additional hood and flag in FIGS. 4 and 5 is for illustrative purposes only and forms no part of the claimed design.

[56] References Cited

U.S. PATENT DOCUMENTS

- D. 84,371 6/1931 Reimer .
- D. 248,580 7/1978 Luttrell et al. D31/24
- D. 248,976 8/1978 Raab D31/24
- D. 254,455 3/1980 Cornwell, Jr. et al. D99/29
- D. 346,266 4/1994 Tingler D99/30
- D. 347,927 6/1994 Martin D99/30
- D. 371,888 7/1996 Tingler D99/30
- D. 372,571 8/1996 Venditto, Jr. D2/869
- D. 376,249 12/1996 Bunch et al. D99/29
- D. 378,463 3/1997 Willis et al. D99/33

1 Claim, 4 Drawing Sheets



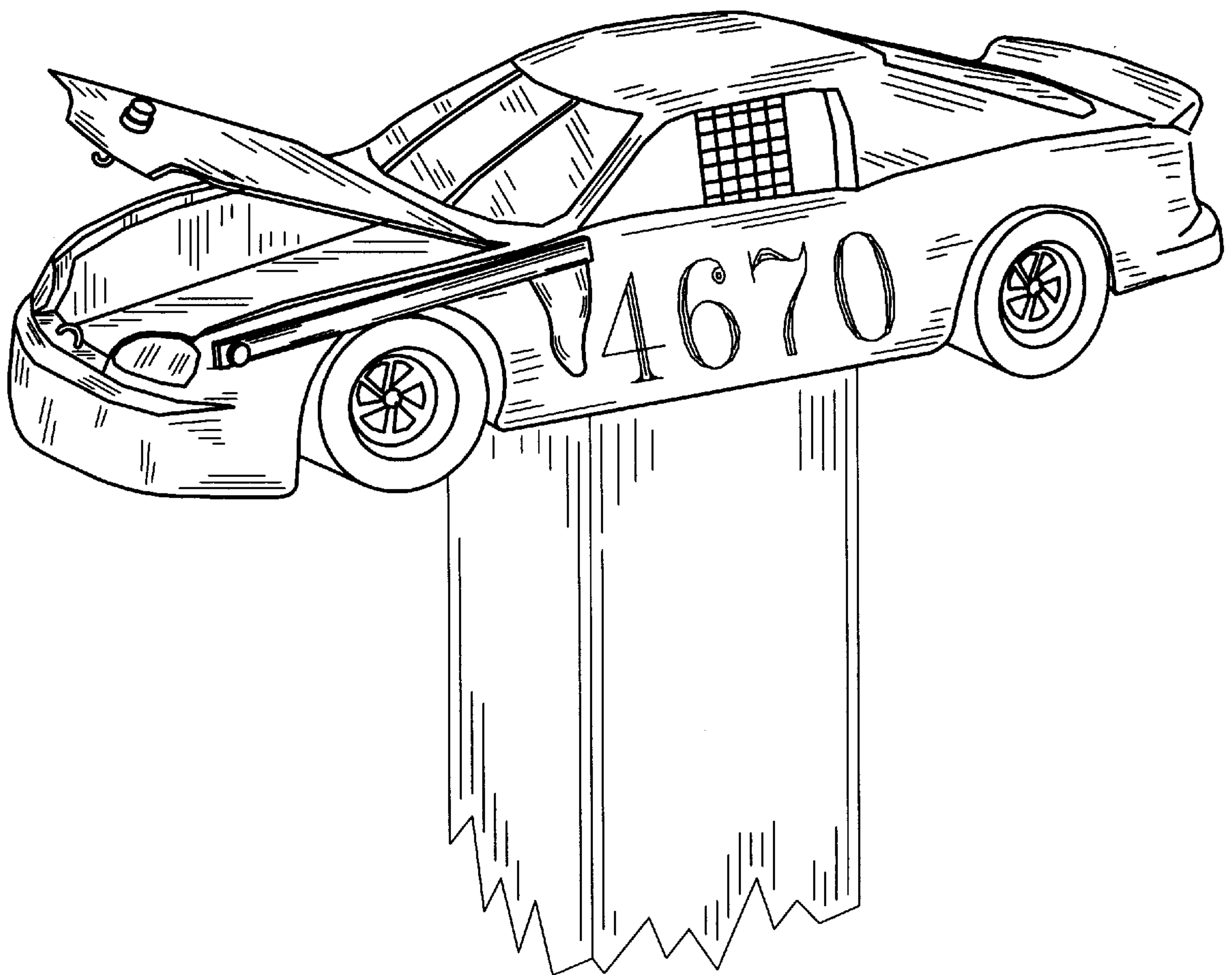


Figure 1

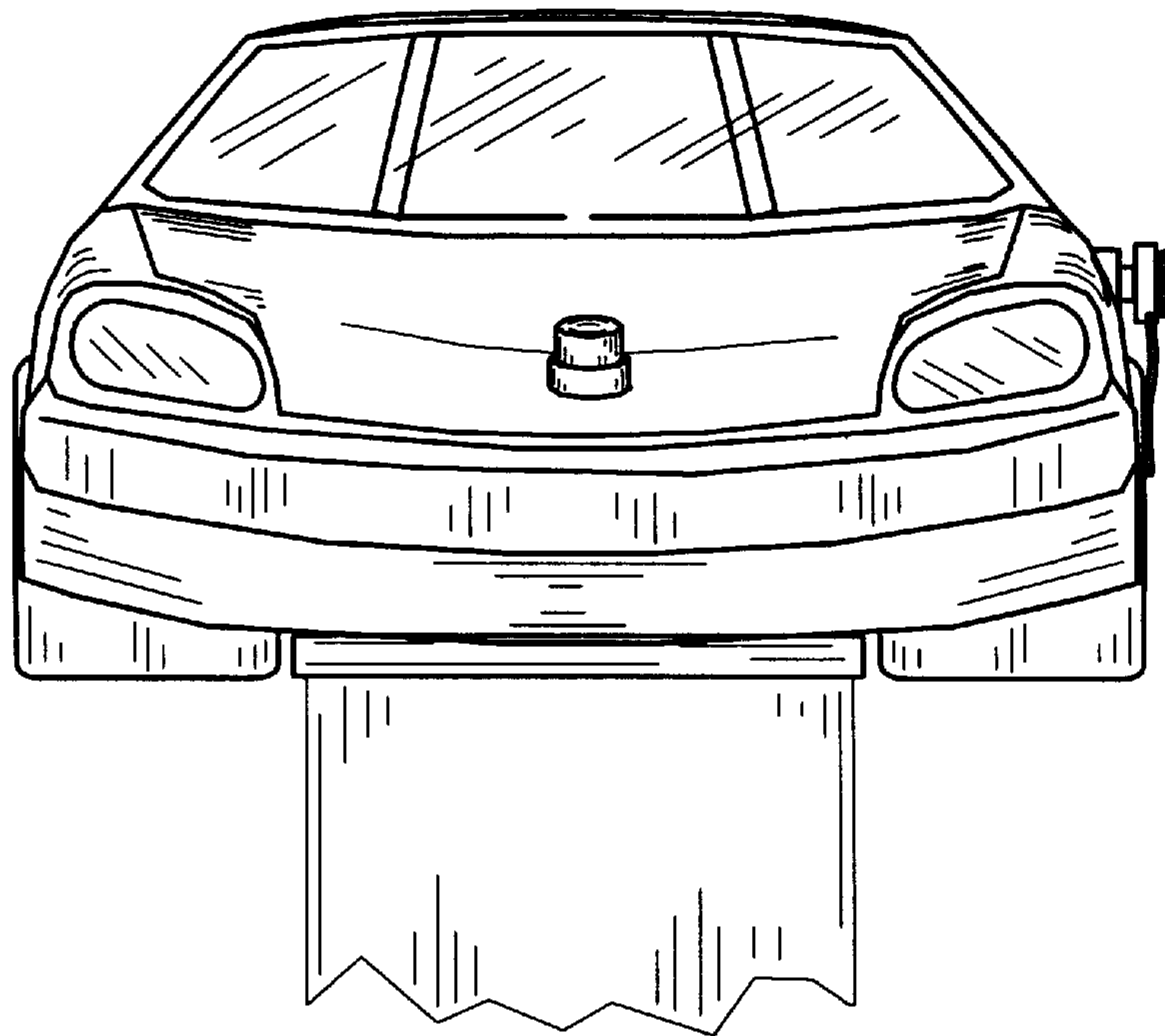


Figure 2

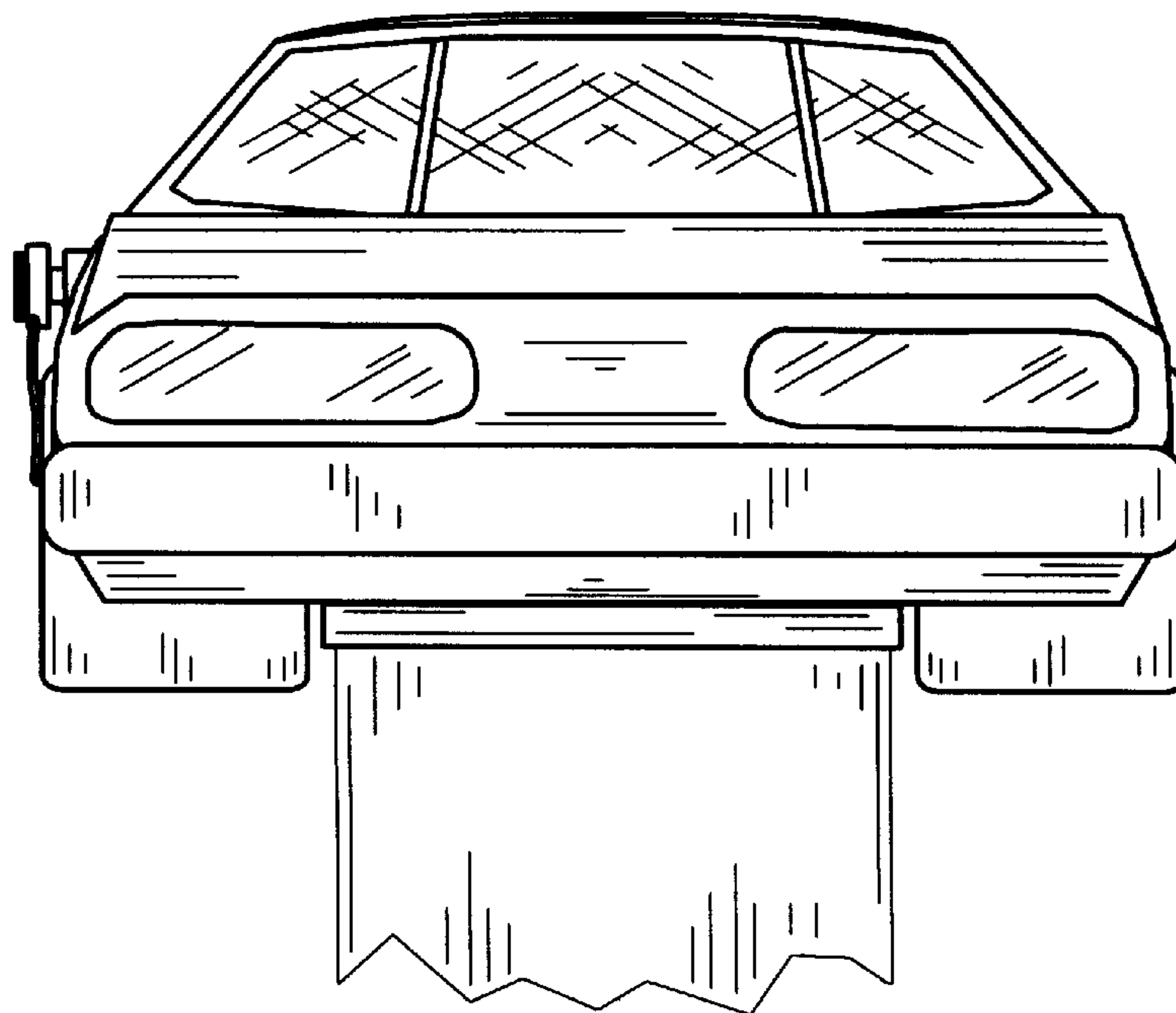


Figure 3

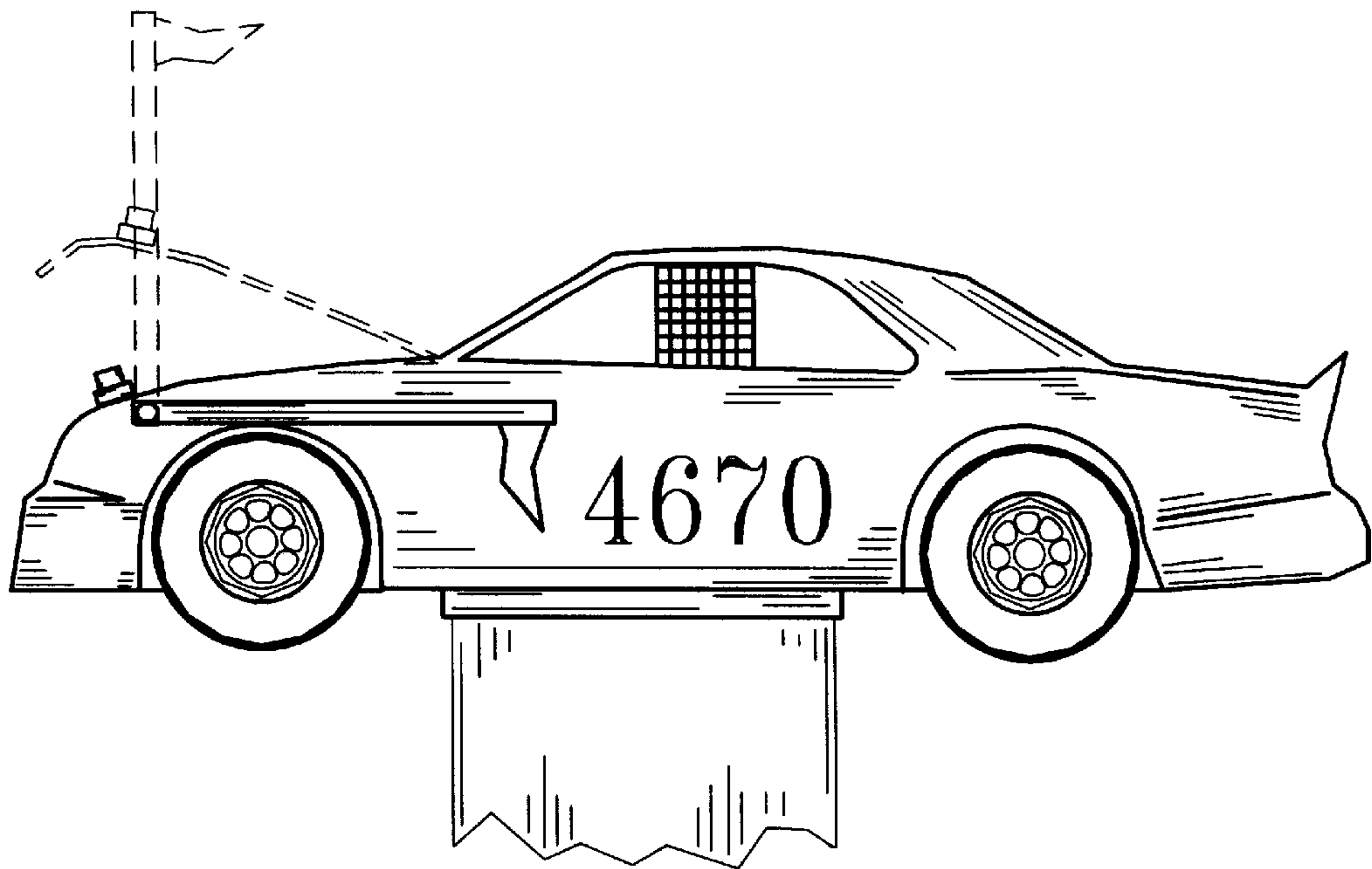


Figure 4

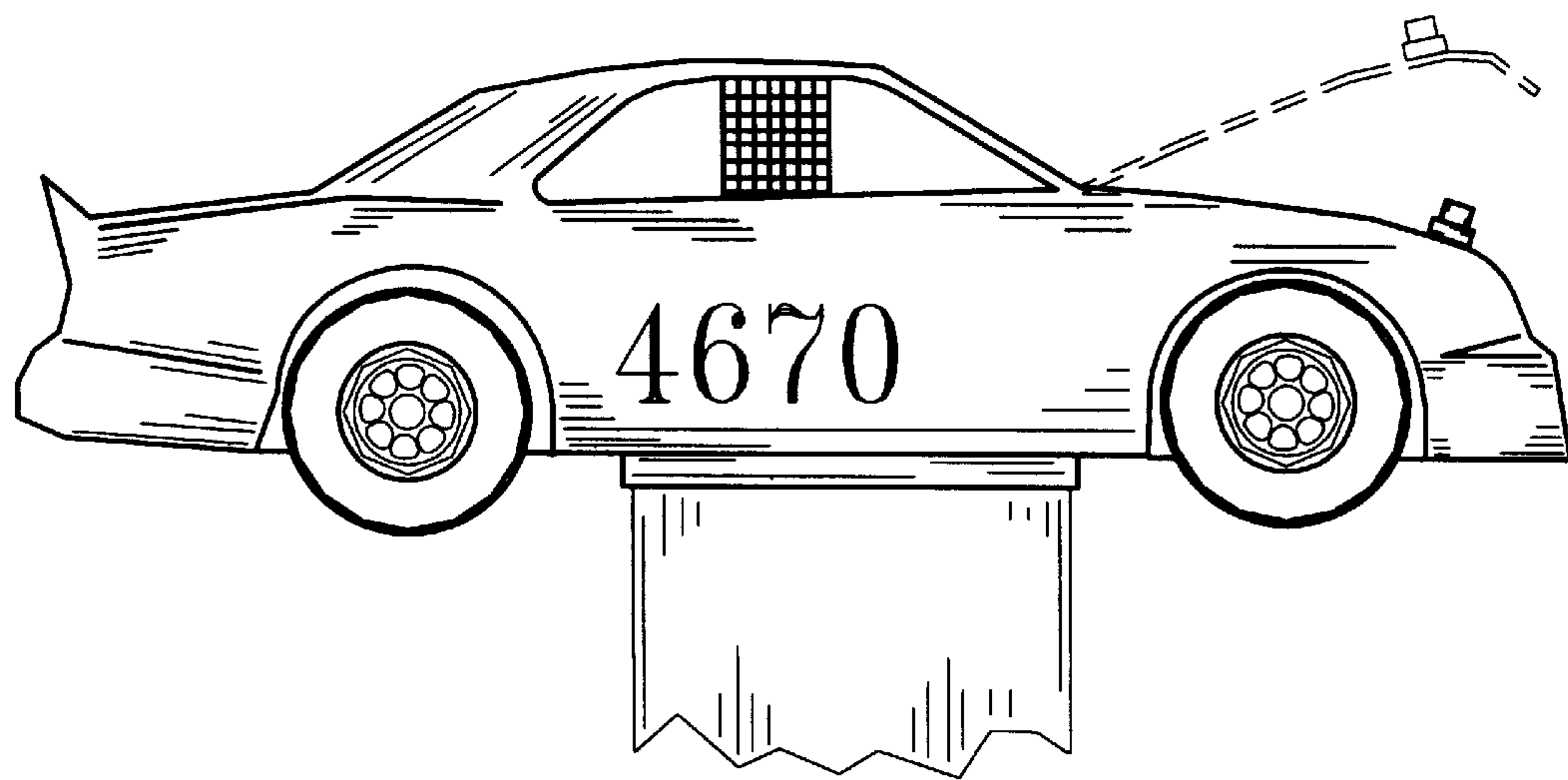


Figure 5

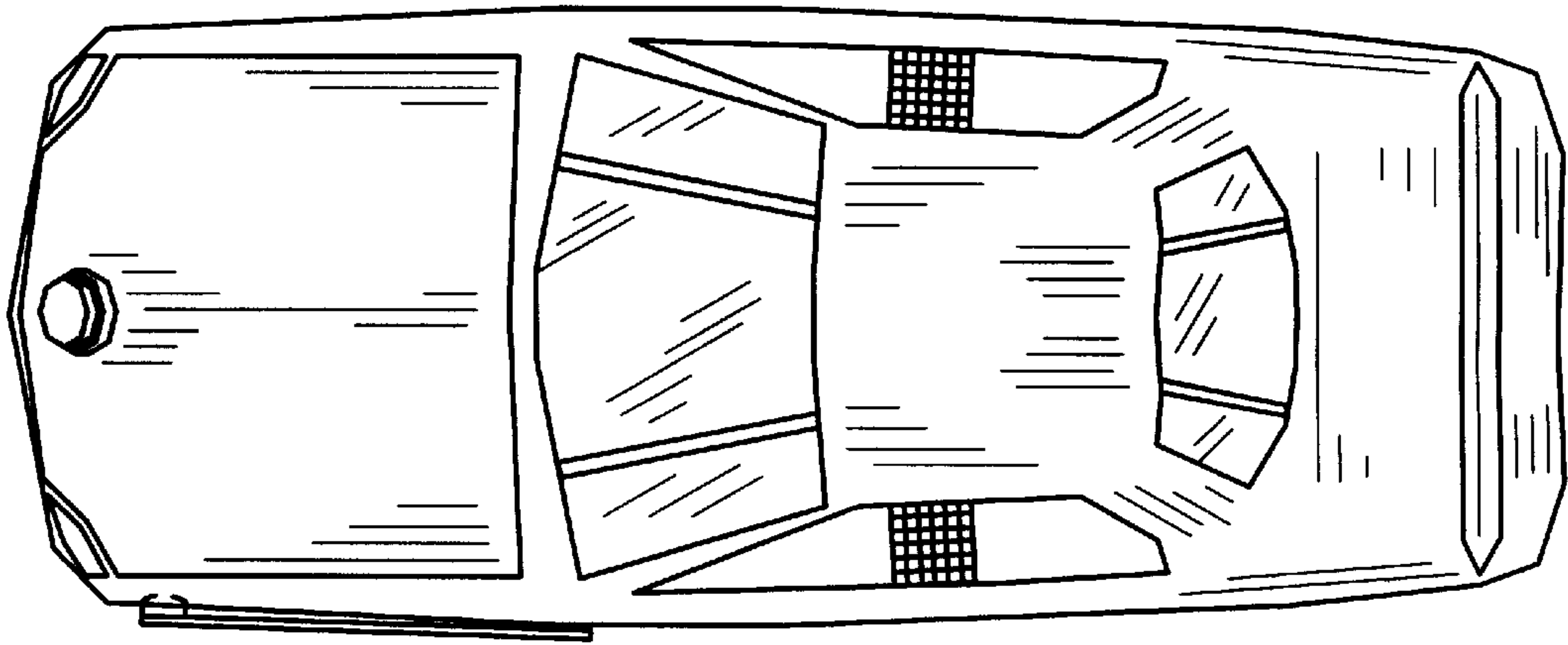


Figure 6

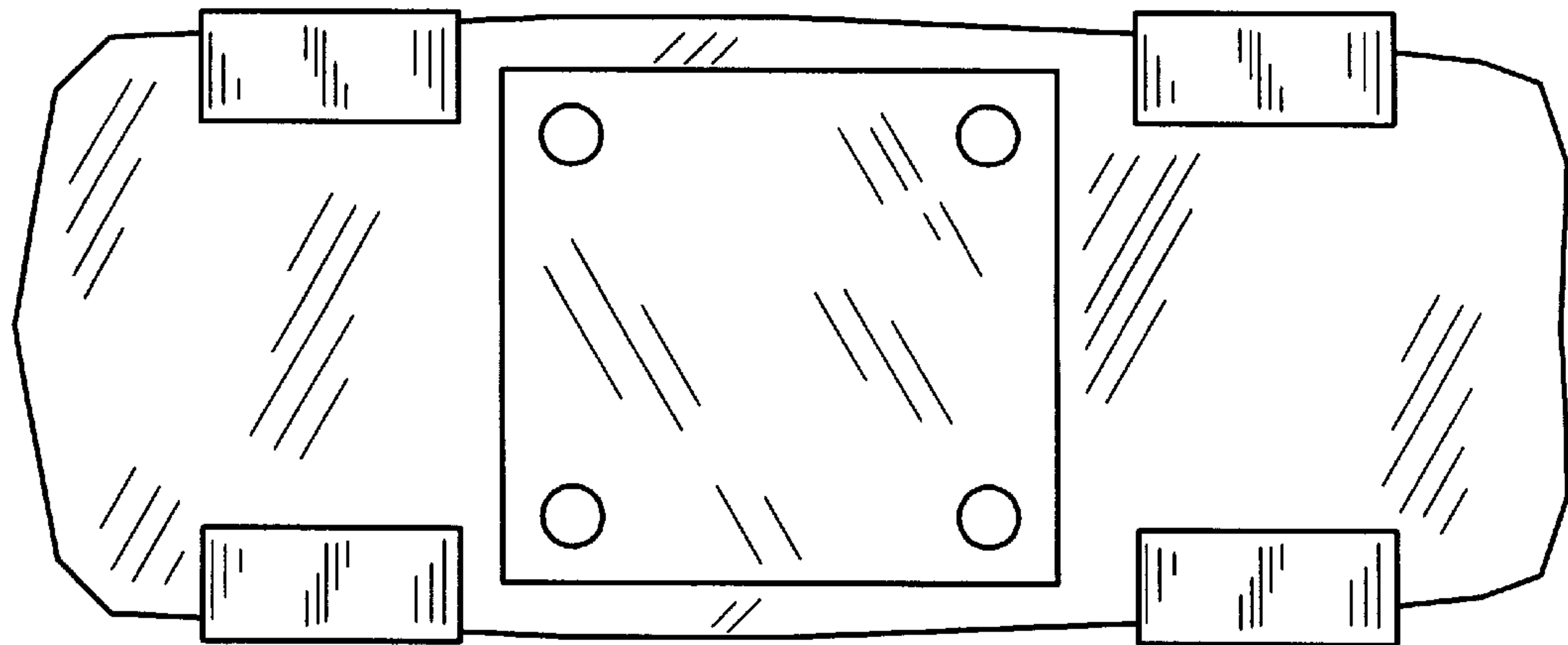


Figure 7