



US00D417054S

United States Patent [19]
Dziengielewski

[11] **Patent Number: Des. 417,054**

[45] **Date of Patent: ** *Nov. 23, 1999**

[54] **PVC TRASH CAN CART**

D. 384,464 9/1997 Tonzillo D34/17

[76] Inventor: **Bruce Dziengielewski**, 318 Holly Ave.,
Goose Creek, S.C. 29445

Primary Examiner—Kay H. Chin

[*] Notice: This patent is subject to a terminal disclaimer.

[57] **CLAIM**

The ornamental design for a pvc trash can cart, as shown and described.

[**] Term: **14 Years**

DESCRIPTION

[21] Appl. No.: **07/746,570**

FIG. 1 is a front elevational view of the pvc trash can cart showing my new design;

[22] Filed: **Aug. 19, 1991**

FIG. 2 is a rear elevational view thereof;

[51] **LOC (6) Cl.** **12-02**

[52] **U.S. Cl.** **D34/24; D34/17**

FIG. 3 is a left side elevational view thereof;

[58] **Field of Search** D34/12, 17, 24,

D34/25, 26; 280/47.19, 47.26, 47.24, 652;

211/182

FIG. 4 is a right side elevational view thereof;

FIG. 5 is a top plan view thereof; and,

FIG. 6 is a bottom plan view thereof.

[56] **References Cited**

U.S. PATENT DOCUMENTS

D. 362,945 10/1995 Glinski D34/17

1 Claim, 3 Drawing Sheets

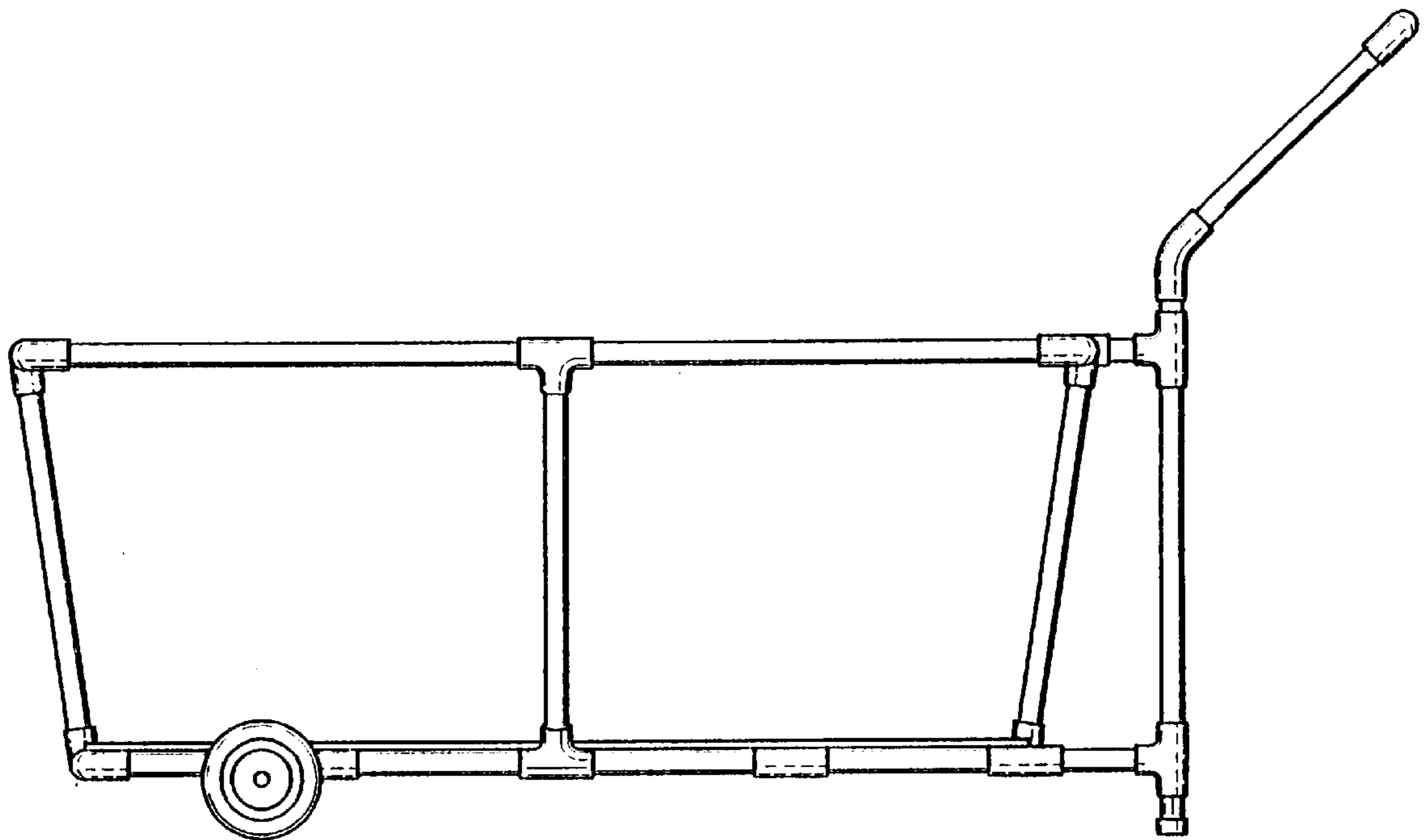


FIG. 1

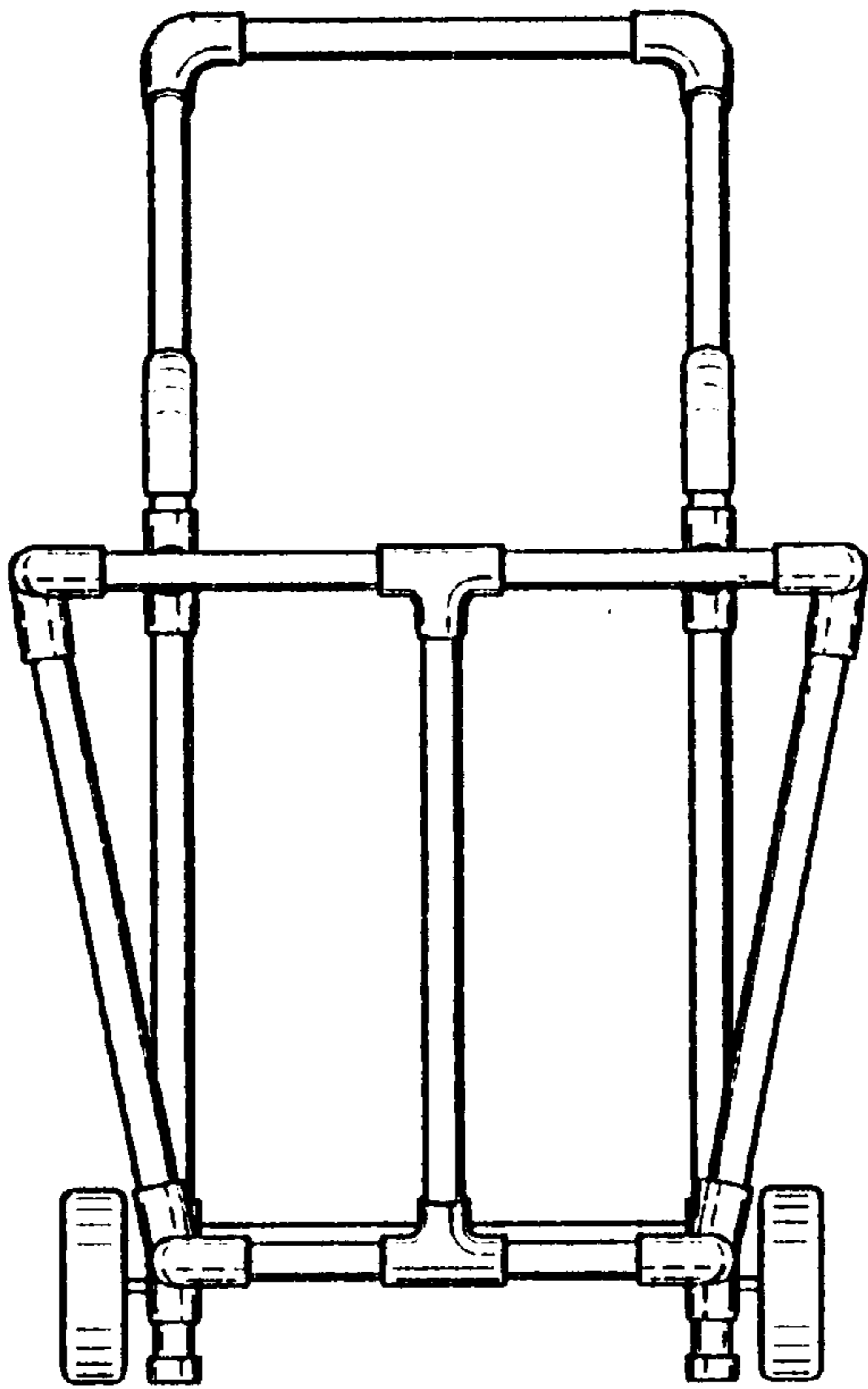


FIG. 2

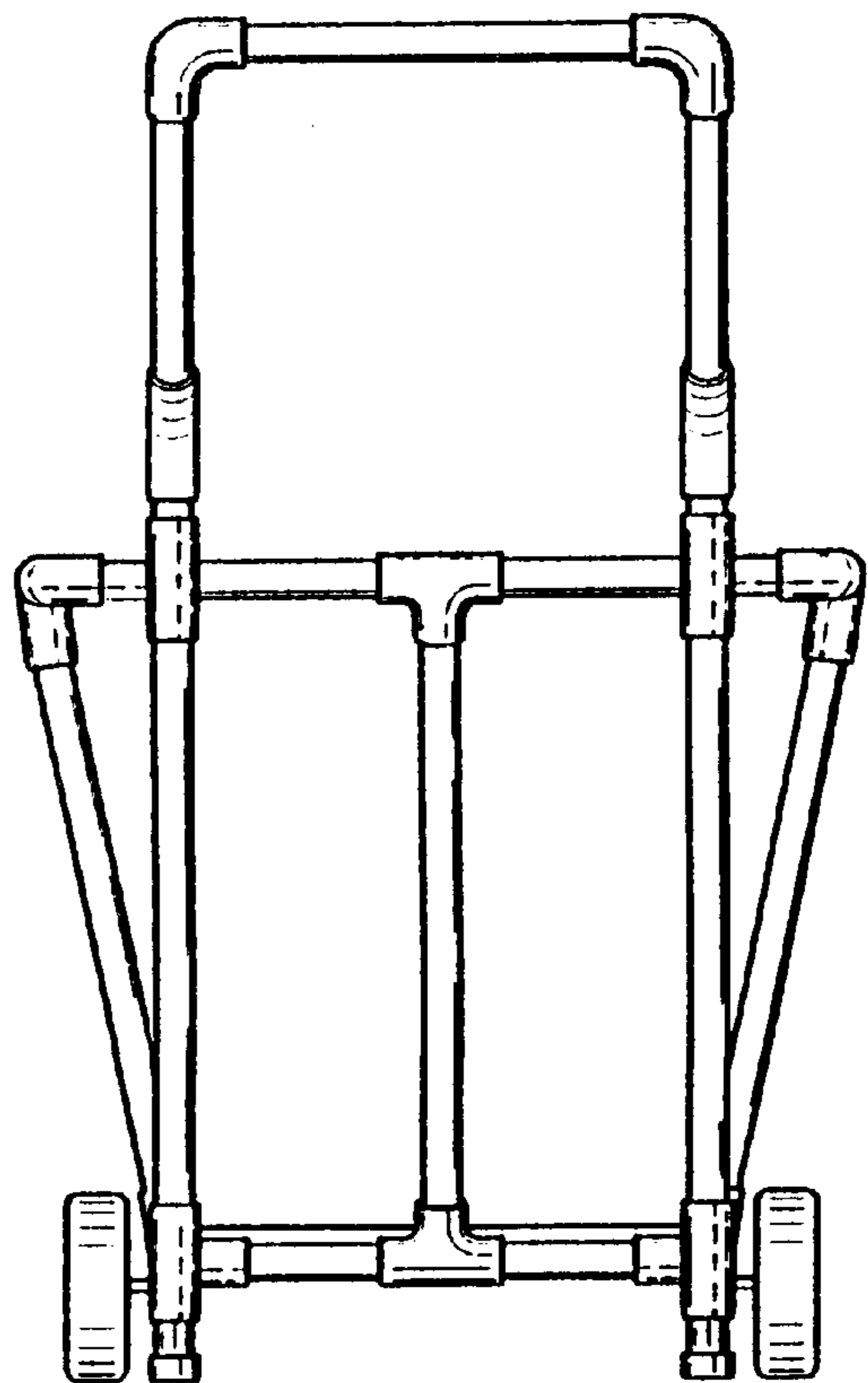


FIG. 3

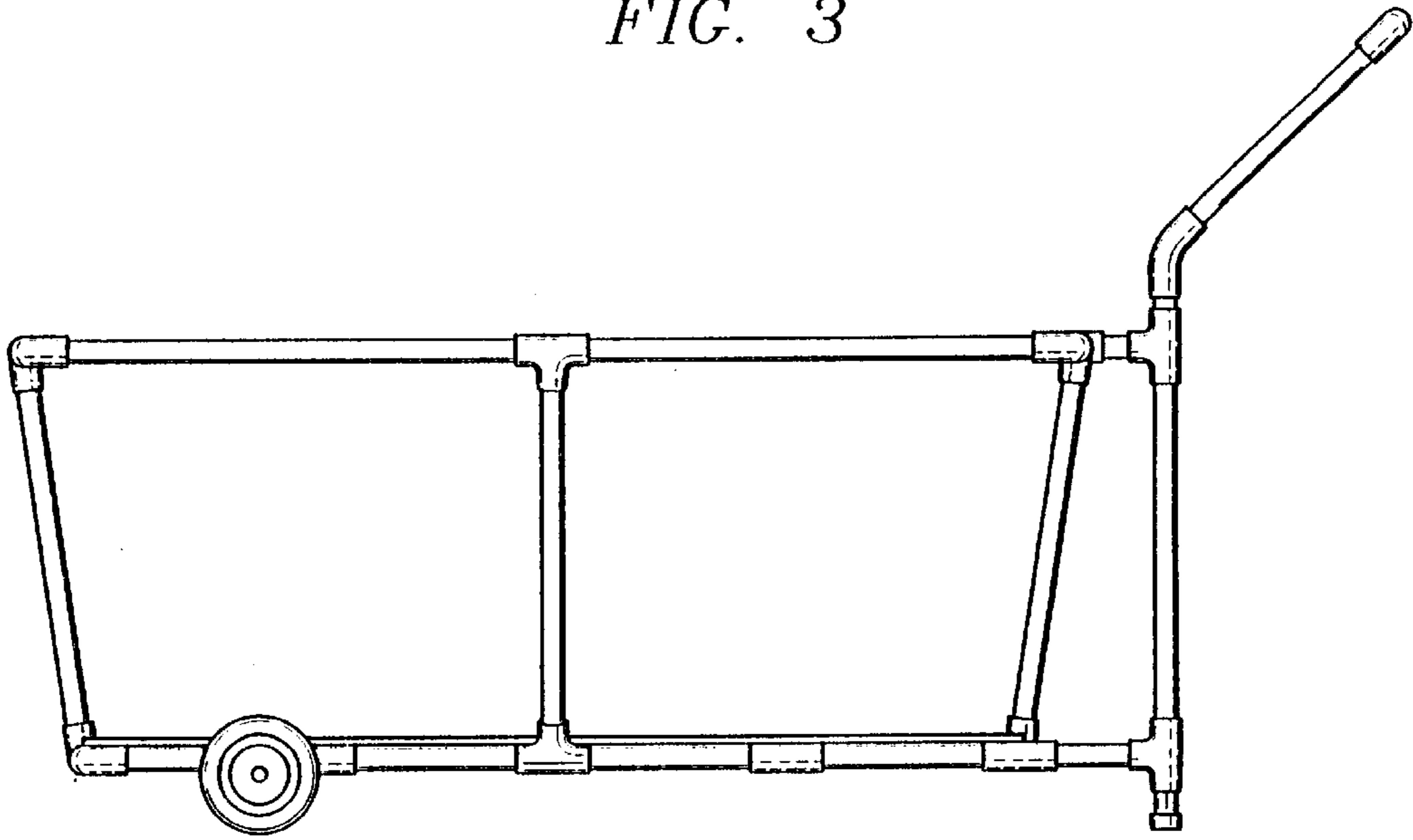


FIG. 4

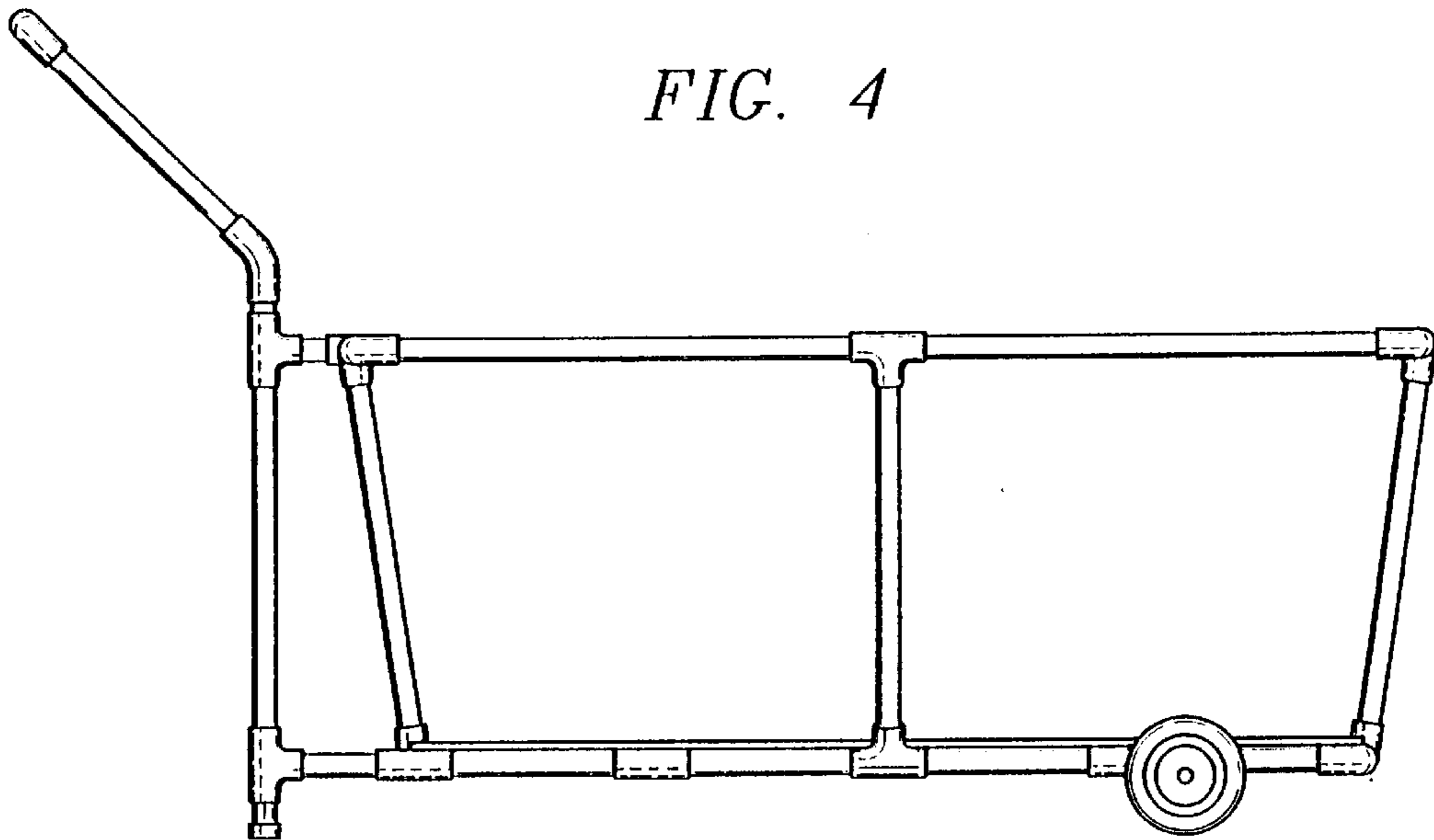


FIG. 5

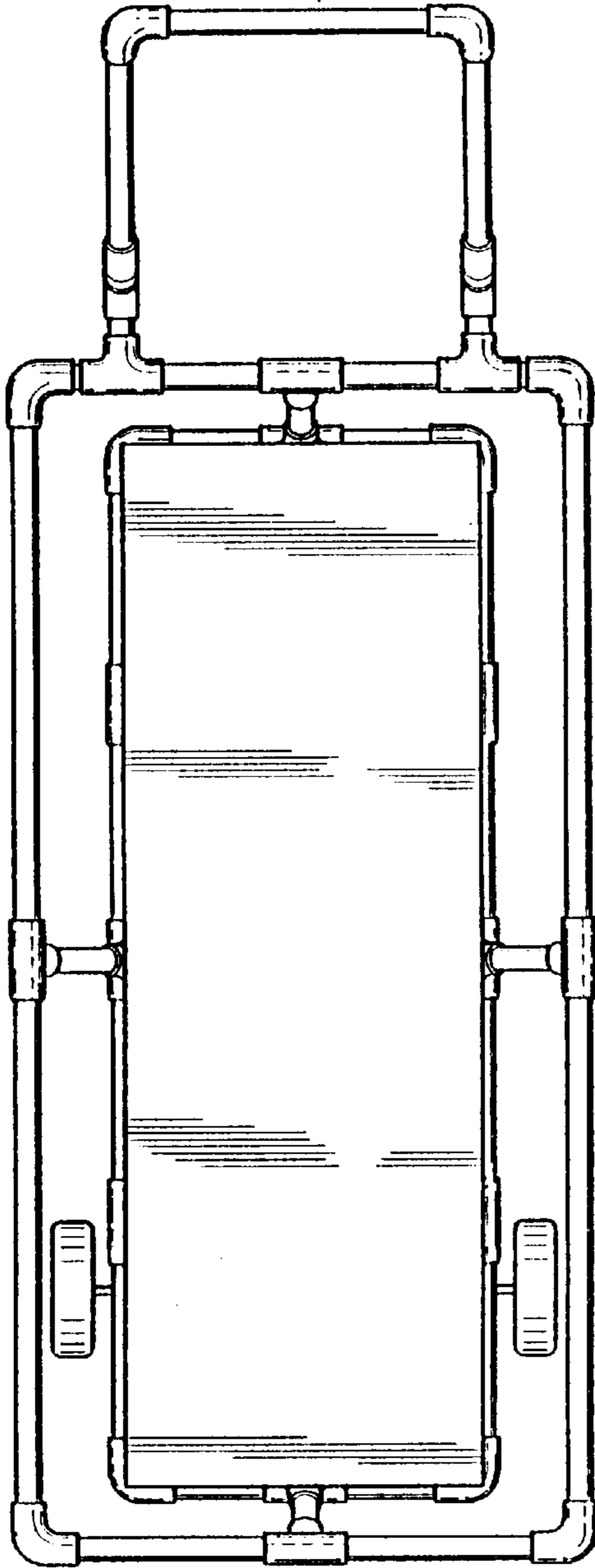


FIG. 6

