



US00D417051S

United States Patent [19]

Dickinson et al.

[11] Patent Number: **Des. 417,051**

[45] Date of Patent: **** Nov. 23, 1999**

[54] CONTAINER ASSEMBLY

5,548,865 8/1996 Pagani 15/262
5,615,447 4/1997 Hardesty et al. .

[75] Inventors: **Thomas Dickinson**, St. Louis, Mo.;
Bradley D. Gale, Greece, N.Y.

Primary Examiner—Robin V. Taylor
Attorney, Agent, or Firm—Howell & Haferkamp L.C.

[73] Assignee: **Contico International, Inc.**, St. Louis, Mo.

[57] **CLAIM**

[**] Term: **14 Years**

The ornamental design for a container assembly, as shown and described.

[21] Appl. No.: **29/097,600**

DESCRIPTION

[22] Filed: **Dec. 10, 1998**

[51] **LOC (6) Cl.** **07-07**

[52] **U.S. Cl.** **D32/53**

[58] **Field of Search** D32/53, 53.1,
D32/54; 15/260, 262, 263, 264

FIG. 1 is a front and right side perspective view of a container assembly showing our new design;

FIG. 2 is a rear and left side perspective view of the container assembly of FIG. 1;

FIG. 3 is a front elevational view of the container assembly of FIG. 1;

FIG. 4 is a rear elevational view of the container assembly of FIG. 1;

FIG. 5 is a left side elevational view of the container assembly of FIG. 1;

FIG. 6 is a right side elevational view of the container assembly of FIG. 1; and,

FIG. 7 is a top plan view of the container assembly of FIG. 1.

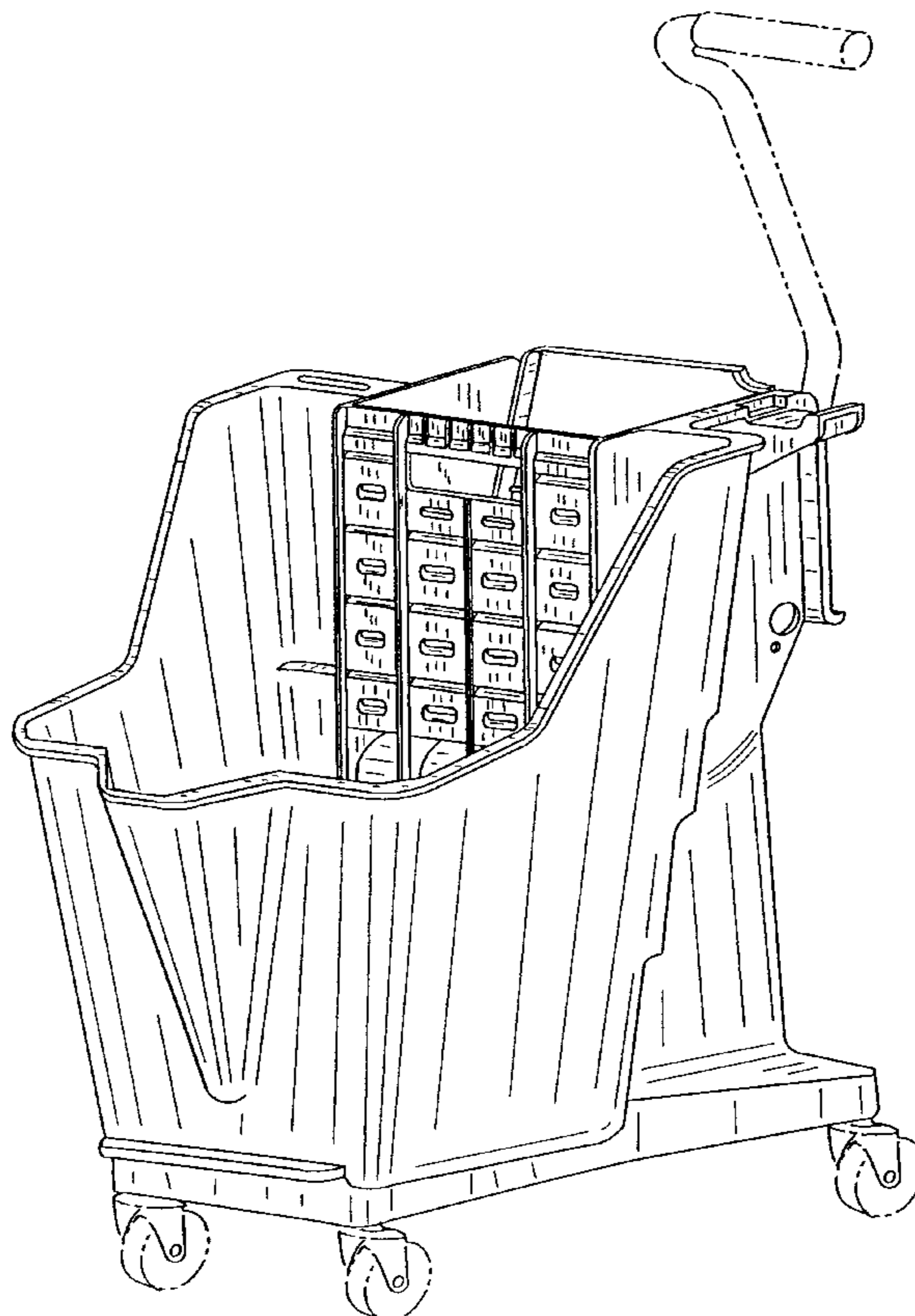
The broken line showing in the Figures of the wheels, the handle, and the handle linkage is for illustrative purposes only and forms no part of the claimed design. The bottom view is not ornamental and forms no part of the claimed design.

[56] References Cited

U.S. PATENT DOCUMENTS

- D. 255,976 7/1980 Maza et al. .
- D. 270,961 10/1983 Hawkins et al. .
- D. 305,170 12/1989 Jaros et al. D32/54
- D. 320,295 9/1991 Delmerico .
- D. 338,299 8/1993 Delmerico et al. .
- D. 345,236 3/1994 Chen .
- D. 362,941 10/1995 Delmerico et al. D32/53
- D. 374,321 10/1996 Mandell et al. .
- 3,747,154 7/1973 O'Neil 15/264
- 5,070,574 12/1991 Delmerico et al. .
- 5,333,353 8/1994 Taylor 15/264
- 5,440,778 8/1995 De Guzman .

1 Claim, 7 Drawing Sheets



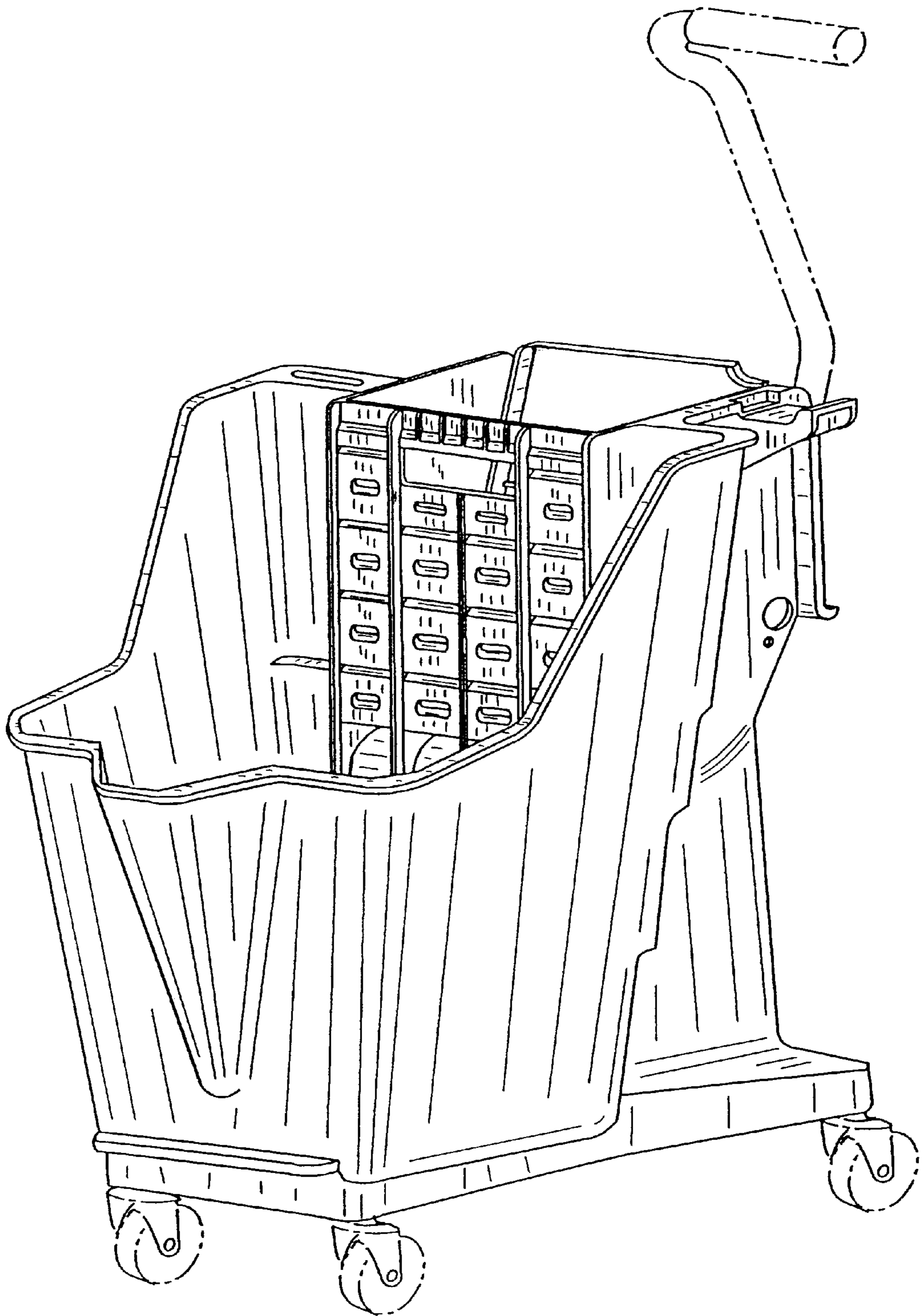


FIG. 1

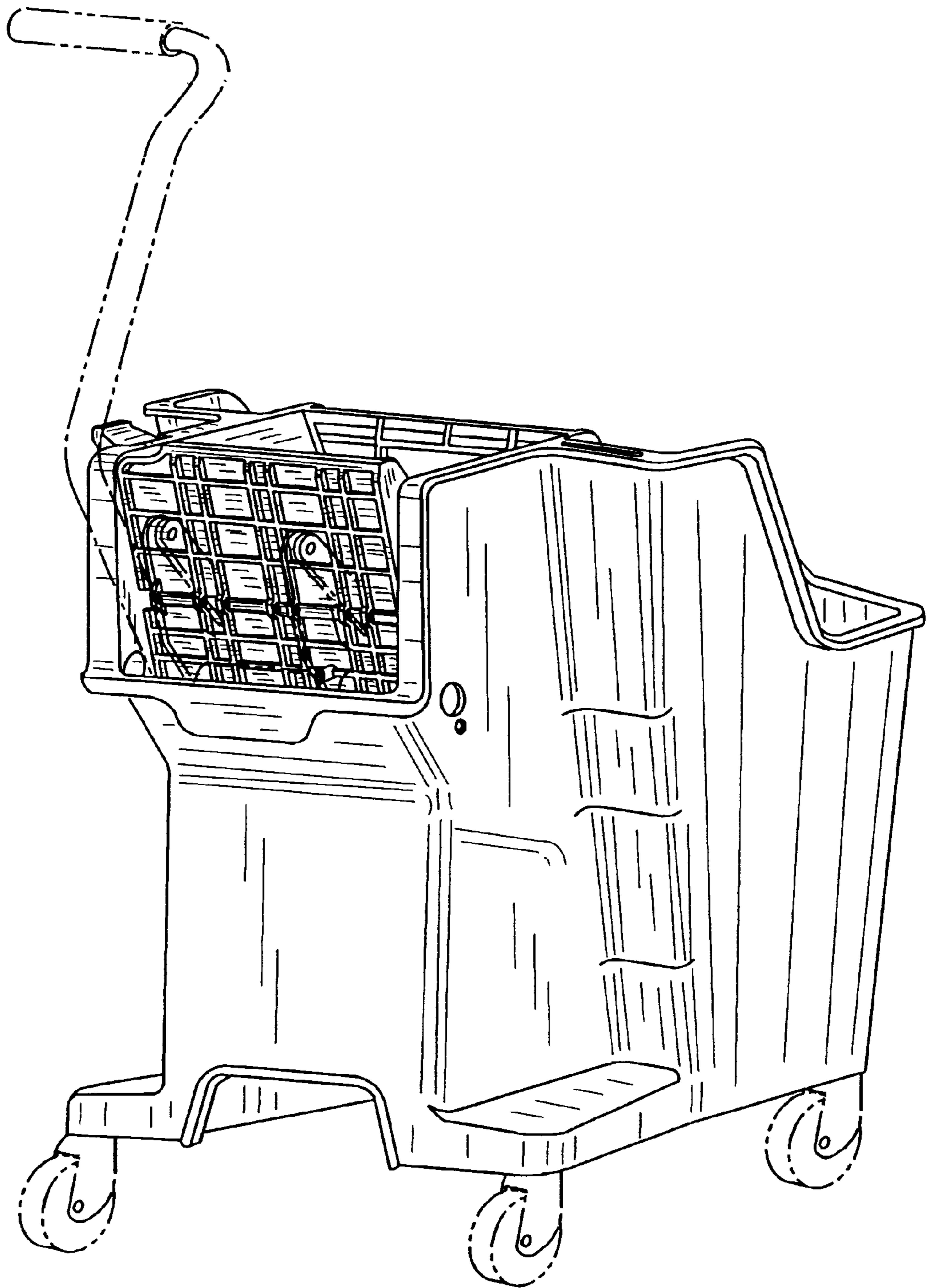


FIG. 2

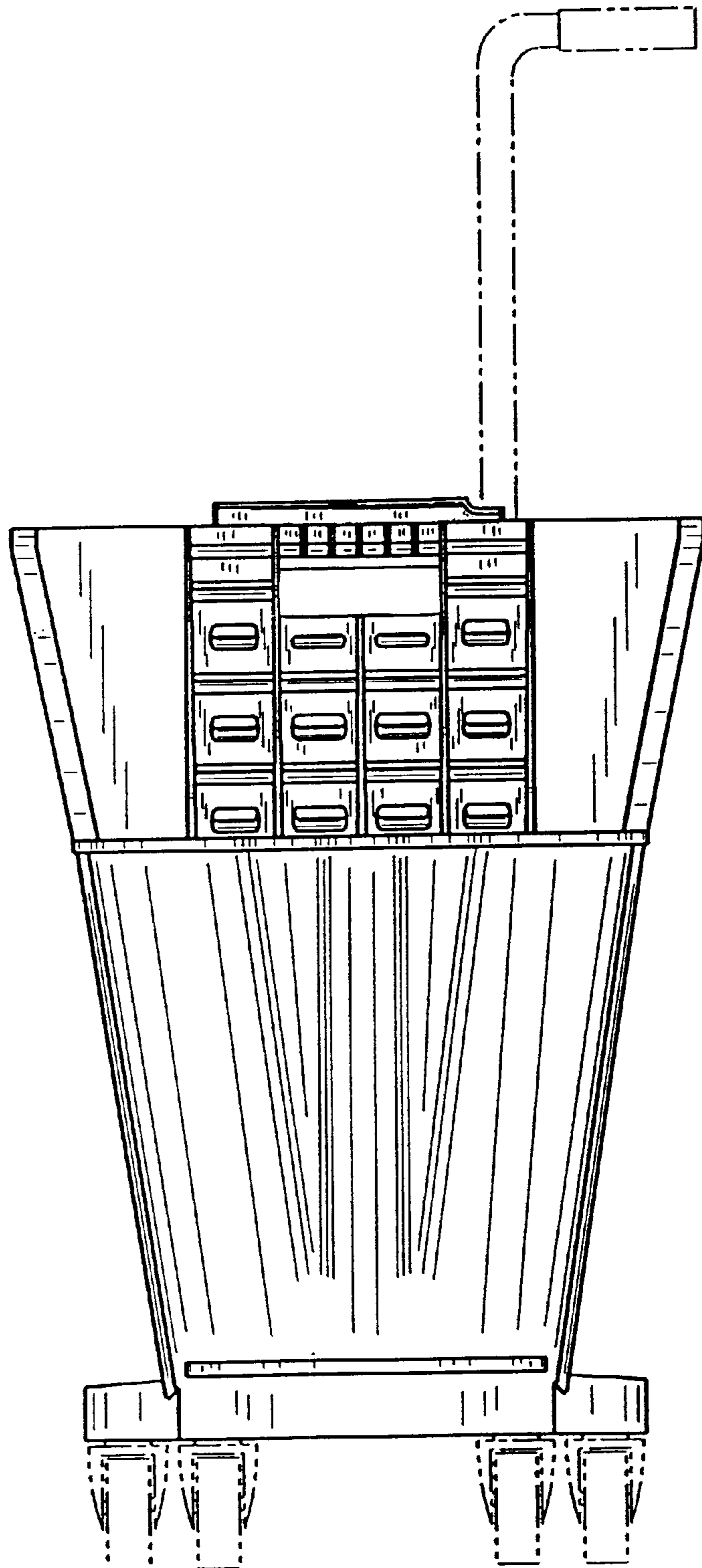


FIG. 3

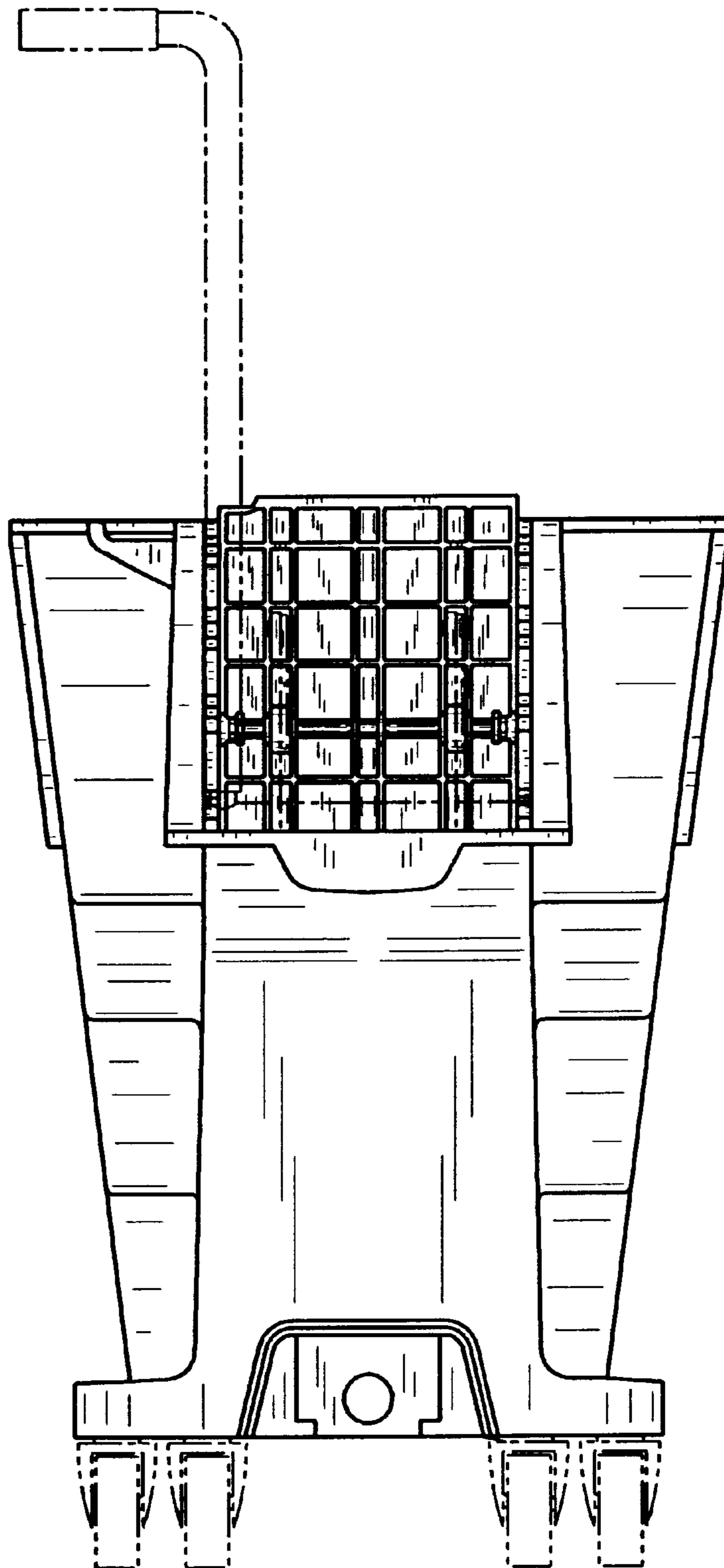


FIG. 4

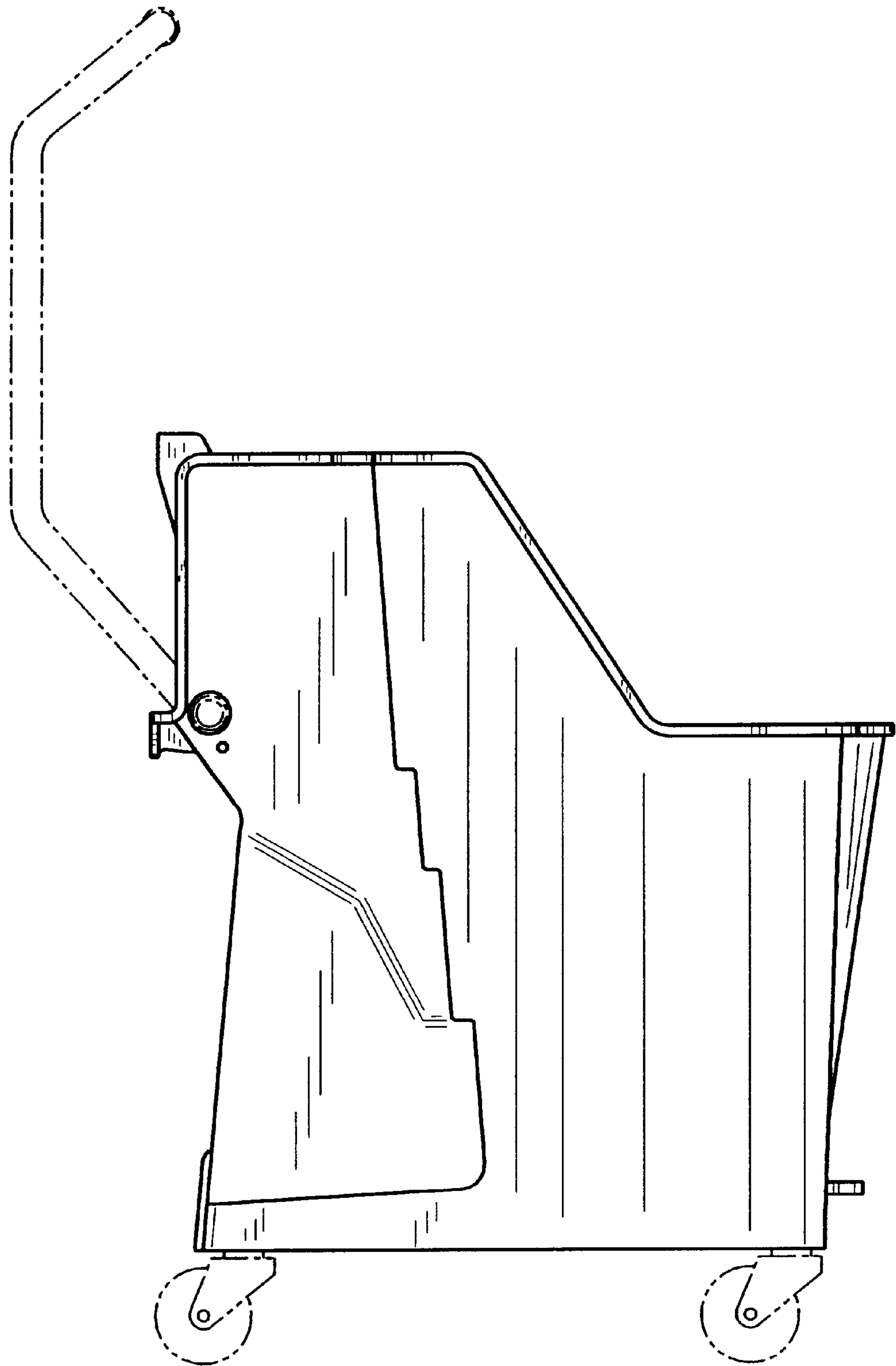


FIG. 5

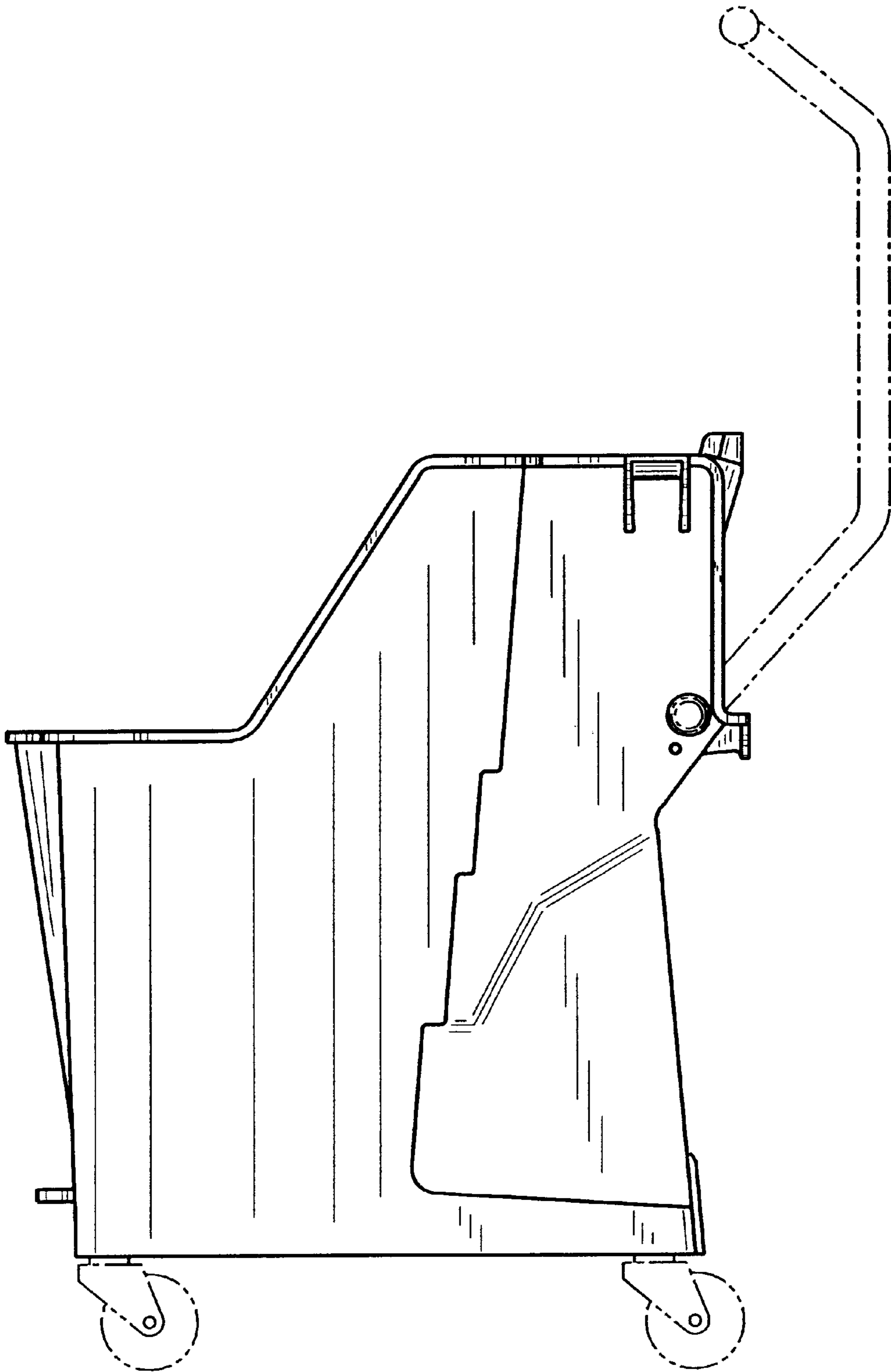


FIG. 6

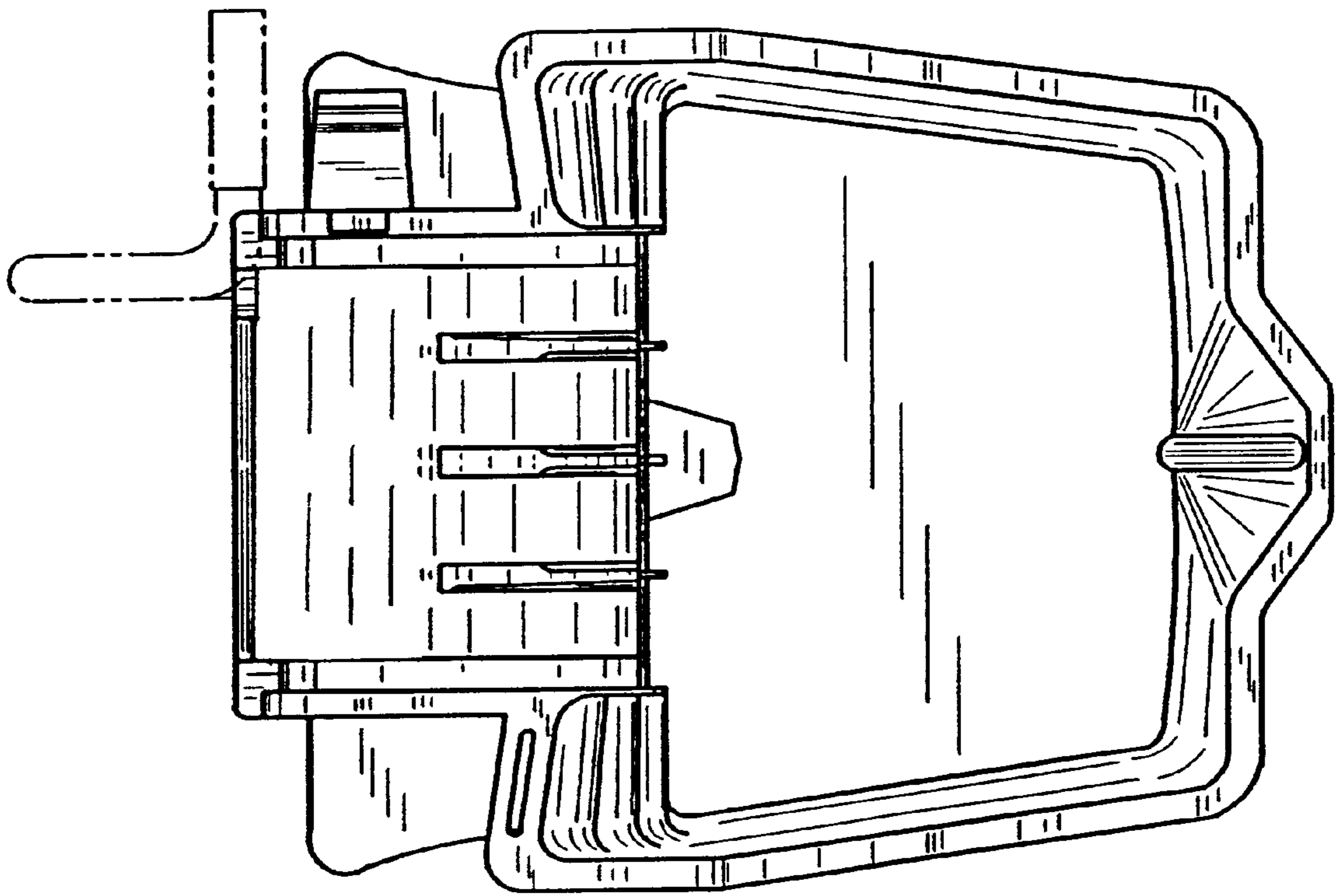


FIG. 7