



US00D417050S

# United States Patent [19] Reede

[11] Patent Number: **Des. 417,050**

[45] Date of Patent: **\*\* Nov. 23, 1999**

[54] **FLOOR SCRUBBER**

[76] Inventor: **Dwayne E Reede**, 22 Jefferson St.,  
Norwalk, Conn. 06851

[\*\*] Term: **14 Years**

[21] Appl. No.: **29/085,257**

[22] Filed: **Mar. 19, 1998**

D. 315,642	3/1991	Furgale .....	D32/50 X
D. 374,750	10/1996	Vanderhoef et al. ....	D32/50
1,420,180	6/1922	Casmire .	
1,520,148	12/1924	Shickluna .	
1,643,637	9/1927	Chadwick .	
2,691,185	10/1954	Jones .	
2,975,004	3/1961	Safianoff .	
3,224,025	12/1965	Altrock .	
3,528,120	9/1970	Lindstrom .	
5,625,918	5/1997	Kieson et al. ....	15/119.2

### Related U.S. Application Data

[62] Division of application No. 29/077,204, Sep. 29, 1997.

[51] **LOC (6) Cl.** ..... **04-01**

[52] **U.S. Cl.** ..... **D32/50**

[58] **Field of Search** ..... D32/50, 51, 52;  
15/115, 119.2, 116.2, 118, 229.3, 229.6,  
229.7, 229.8, 228

### References Cited

#### U.S. PATENT DOCUMENTS

D. 152,843	2/1949	Wagner .	
D. 185,727	7/1959	Yamen et al. ....	D32/50
D. 188,237	6/1960	Littleton .....	D32/50
D. 205,059	6/1966	Hughes .	
D. 213,217	1/1969	Littleton .	

*Primary Examiner*—Susan J. Lucas

*Assistant Examiner*—Cynthia E Ramirez

### [57] CLAIM

The ornamental design for a floor scrubber, as shown and described.

### DESCRIPTION

FIG. 1 is a front view for a floor scrubber showing my new design.

FIG. 2 is a rear view.

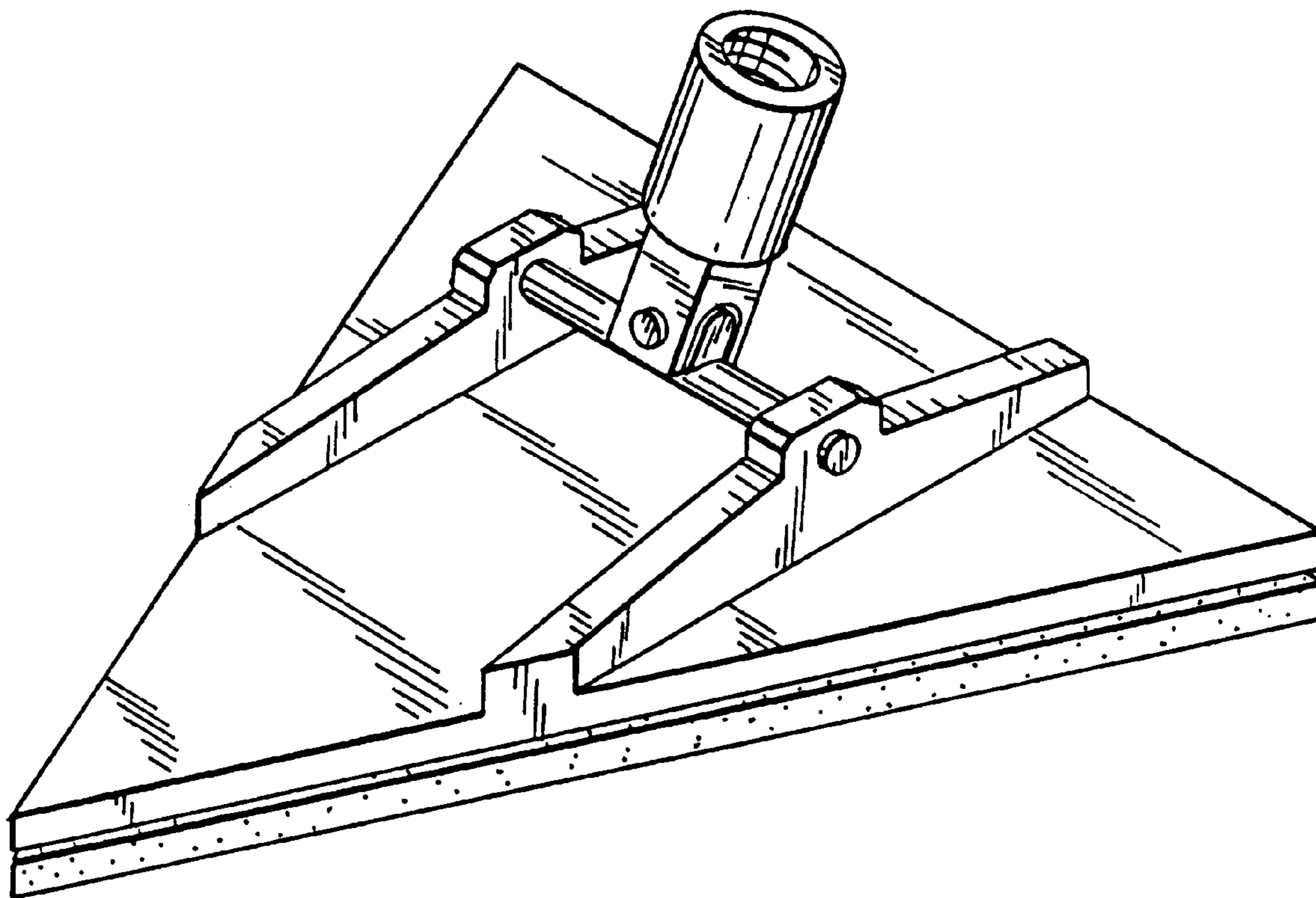
FIG. 3 is a side view the other side being a mirror image.

FIG. 4 is a top view.

FIG. 5 is a bottom view; and,

FIG. 6 is a top, front and side perspective view.

**1 Claim, 3 Drawing Sheets**



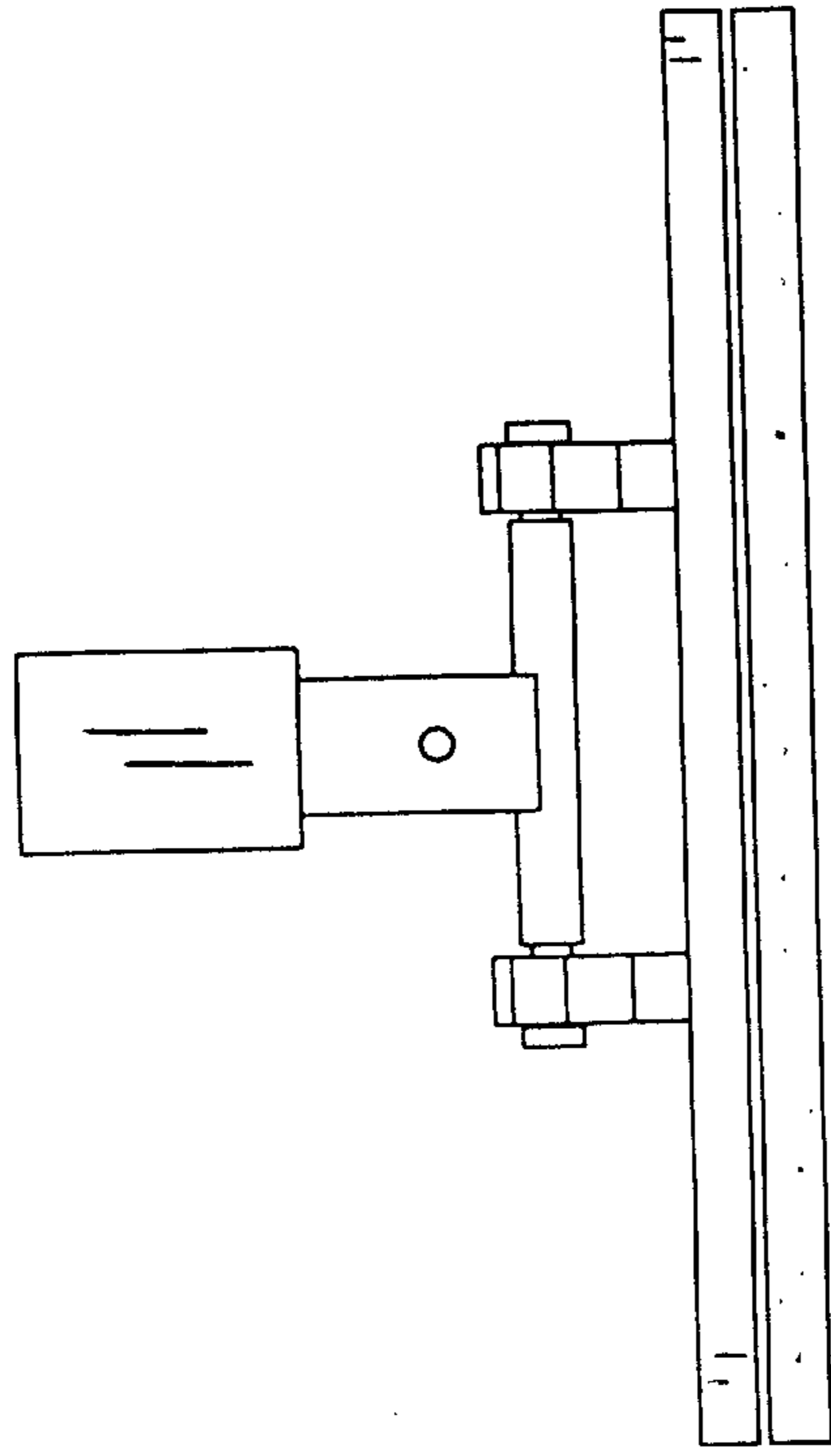


FIGURE 2

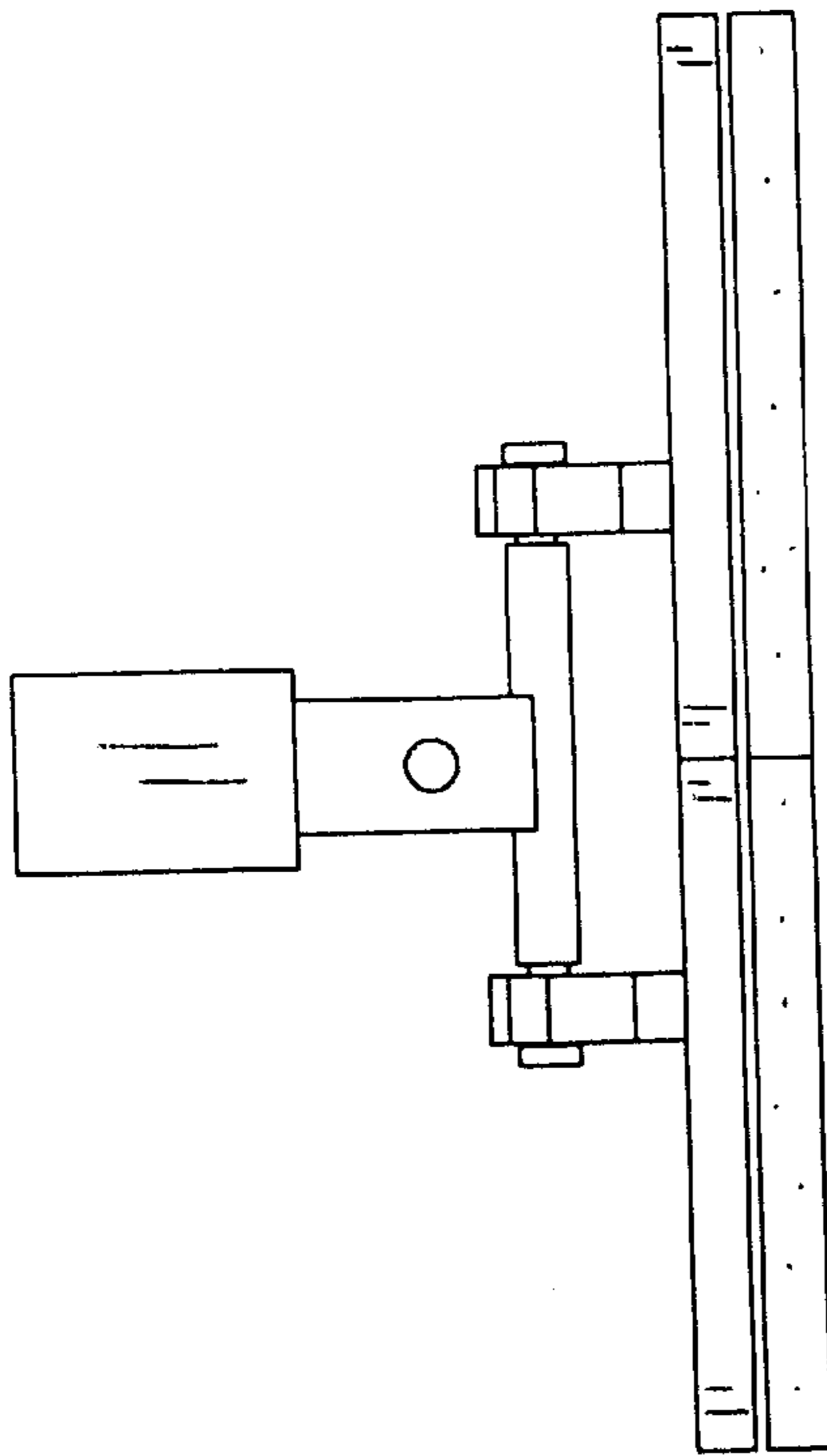


FIGURE 1

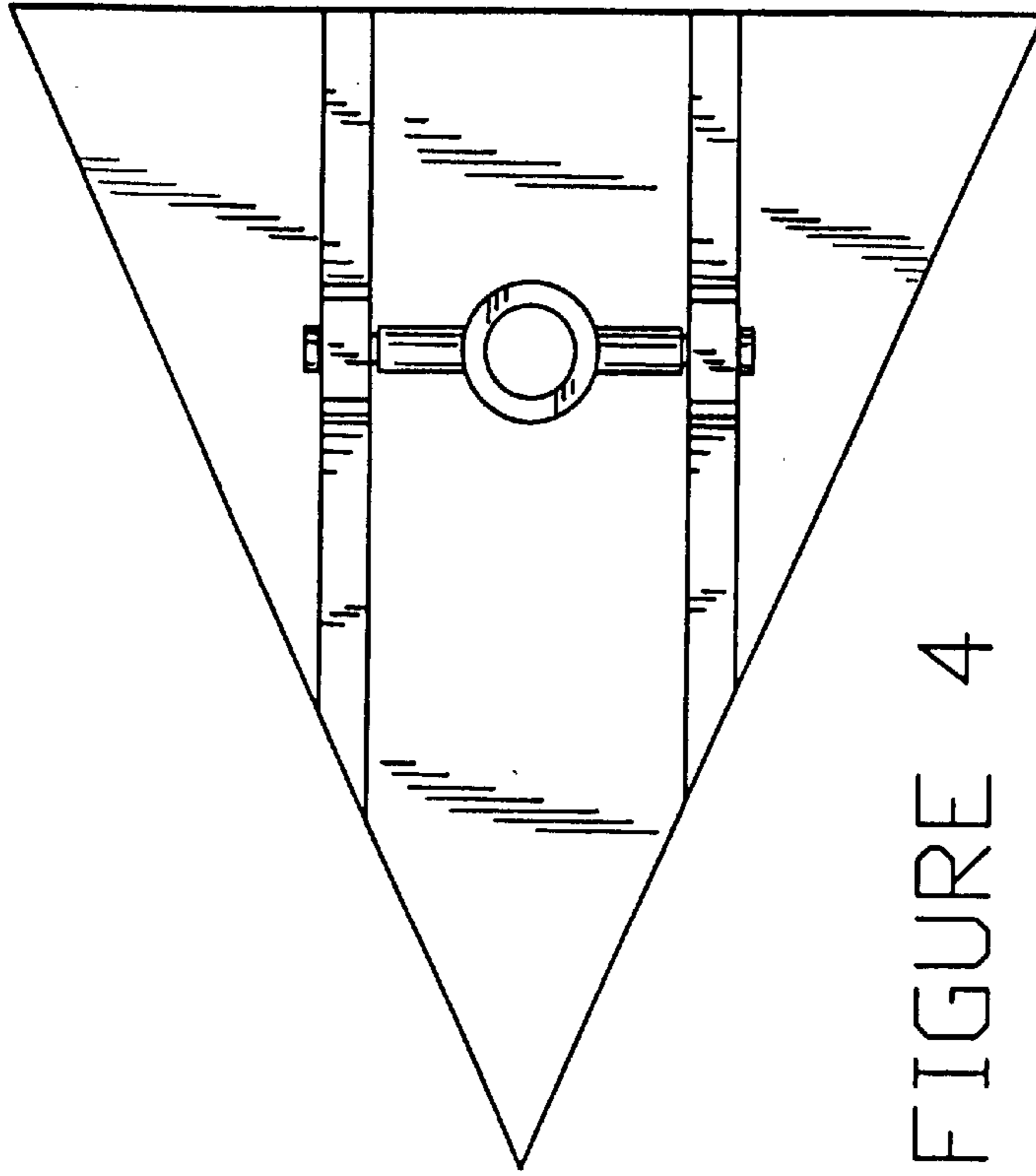


FIGURE 4

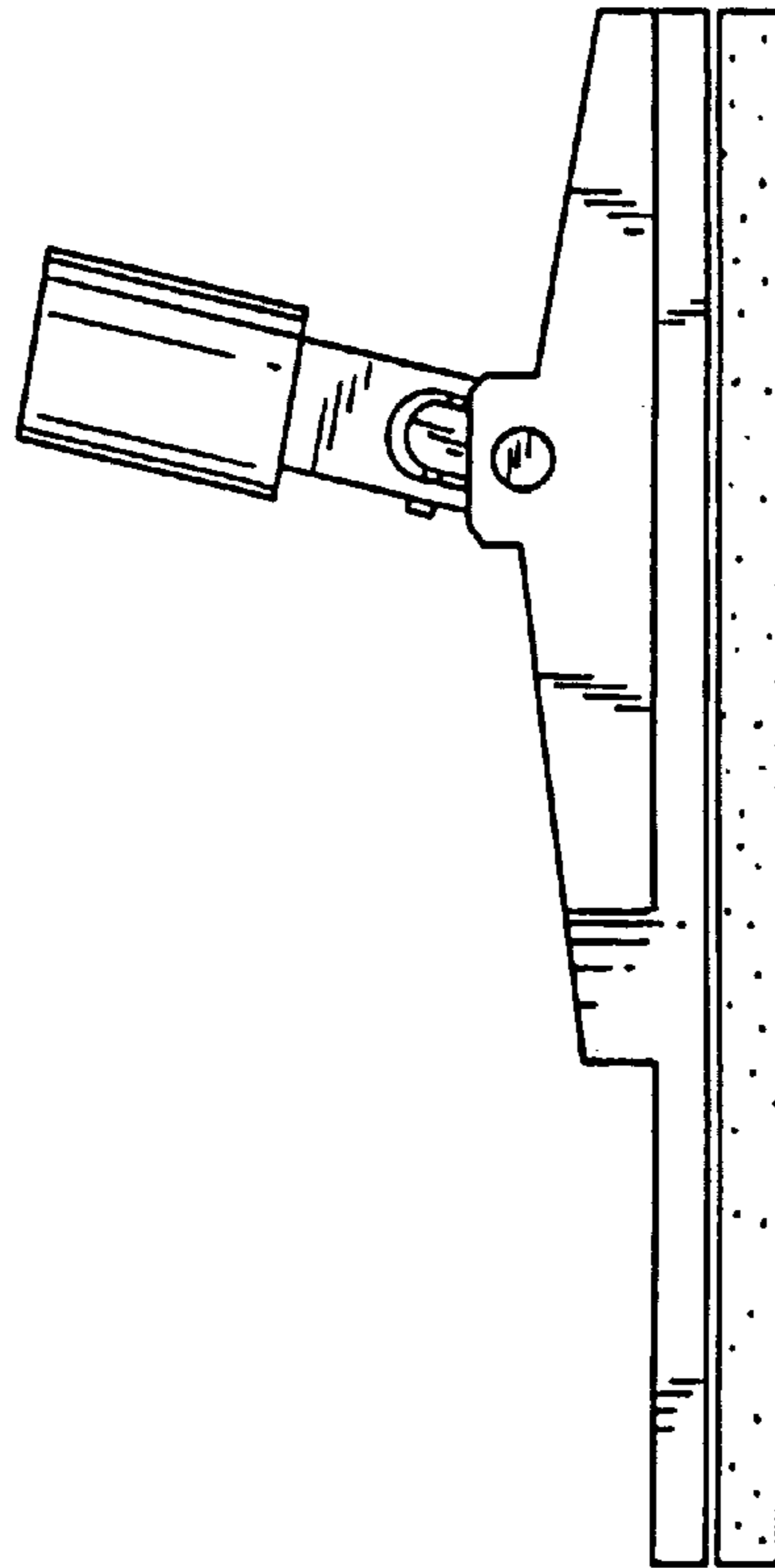


FIGURE 3

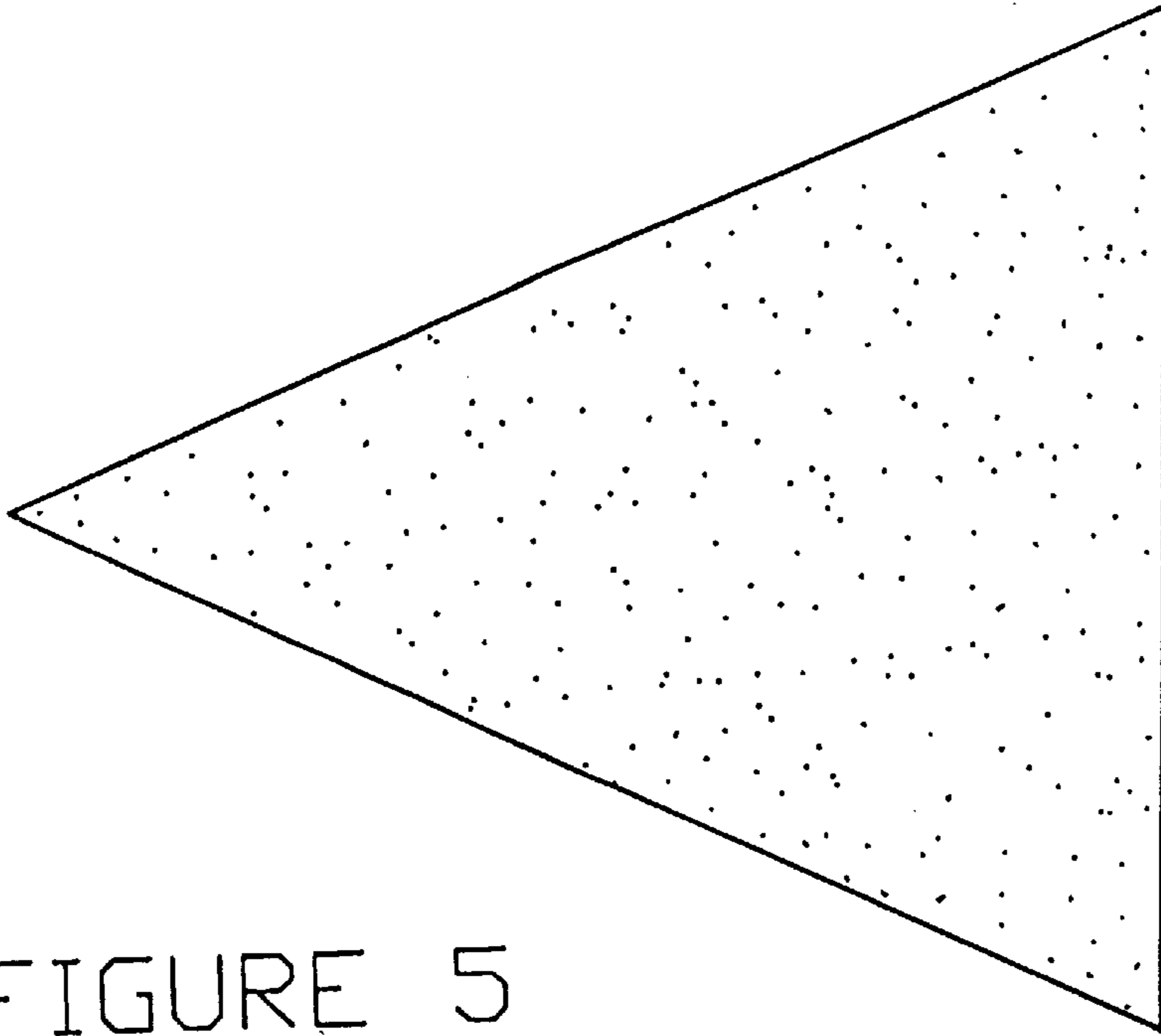


FIGURE 5

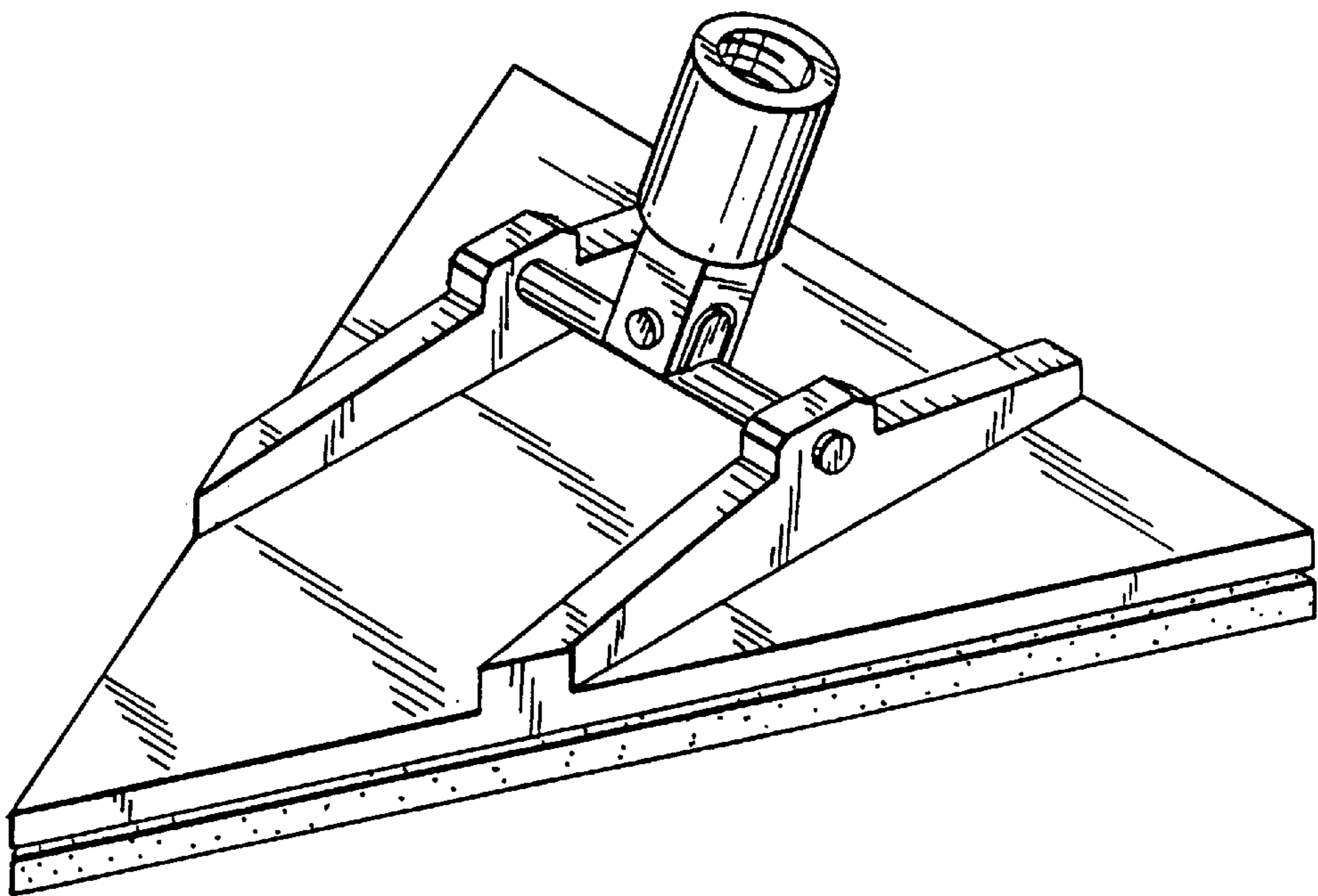


FIGURE 6