



US00D417046S

# United States Patent [19]

[11] **Patent Number: Des. 417,046**

**Tsuruha et al.**

[45] **Date of Patent: \*\* Nov. 23, 1999**

[54] **ELECTRIC VACUUM CLEANER**  
[75] Inventors: **Toshiaki Tsuruha; Takashi Sato**, both of Osaka, Japan

D. 391,700 3/1998 Hughes ..... D32/21  
D. 394,527 5/1998 Pochopien et al. .... D32/21  
D. 399,617 10/1998 Fujita ..... D32/21

[73] Assignee: **Matsushita Electric Industrial Co., Ltd.**, Japan

### OTHER PUBLICATIONS

Copy of Catalogue issued on May 20, 1996 containing: Matsushita Model No. S91, S65, L50, M60, and M50.

[\*\*] Term: **14 Years**

*Primary Examiner*—Ruth McInroy  
*Attorney, Agent, or Firm*—Saidman DesignLaw Group

[21] Appl. No.: **29/083,457**

[22] Filed: **Feb. 10, 1998**

### [57] CLAIM

### [30] Foreign Application Priority Data

The ornamental design for an electric vacuum cleaner, as shown and described.

Aug. 22, 1997 [JP] Japan ..... 9-65422

### DESCRIPTION

[51] **LOC (6) Cl.** ..... **15-05**  
[52] **U.S. Cl.** ..... **D32/21**  
[58] **Field of Search** ..... D32/21, 23, 24;  
15/320-321, 327.1, 327.2, 327.6, 327.7,  
347

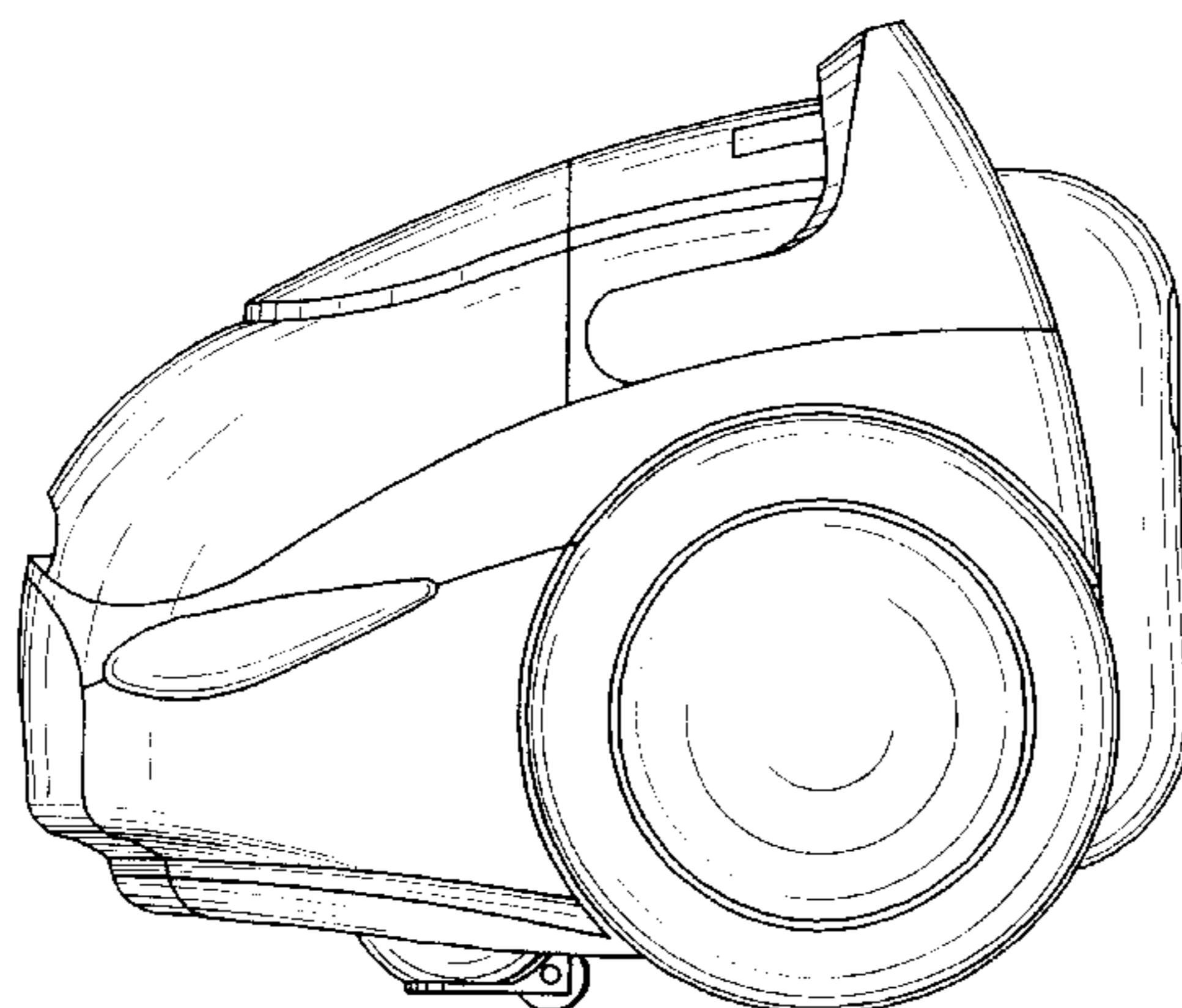
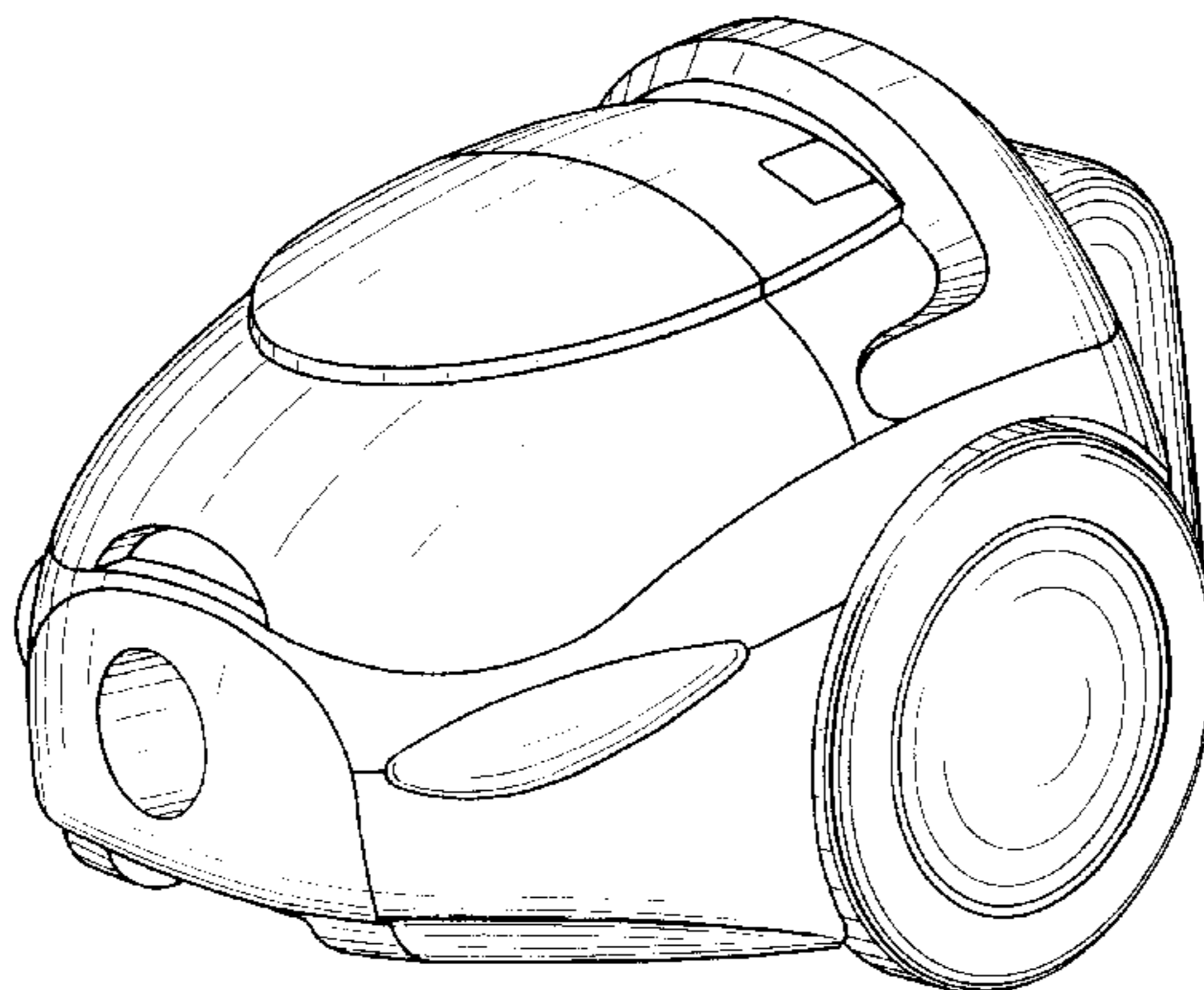
FIG. 1 is a perspective view of the top, front and right side of an electric vacuum cleaner showing our new design; FIG. 2 is a front view thereof; FIG. 3 is a right side view thereof; FIG. 4 is a top plan view thereof; FIG. 5 is a bottom view thereof; FIG. 6 is a rear view thereof; and, FIG. 7 is a left side view thereof.

### [56] References Cited

#### U.S. PATENT DOCUMENTS

D. 325,273 4/1992 Ikeda et al. .... D32/21  
D. 344,375 2/1994 Piret et al. .... D32/21

**1 Claim, 4 Drawing Sheets**



*FIG. 1*

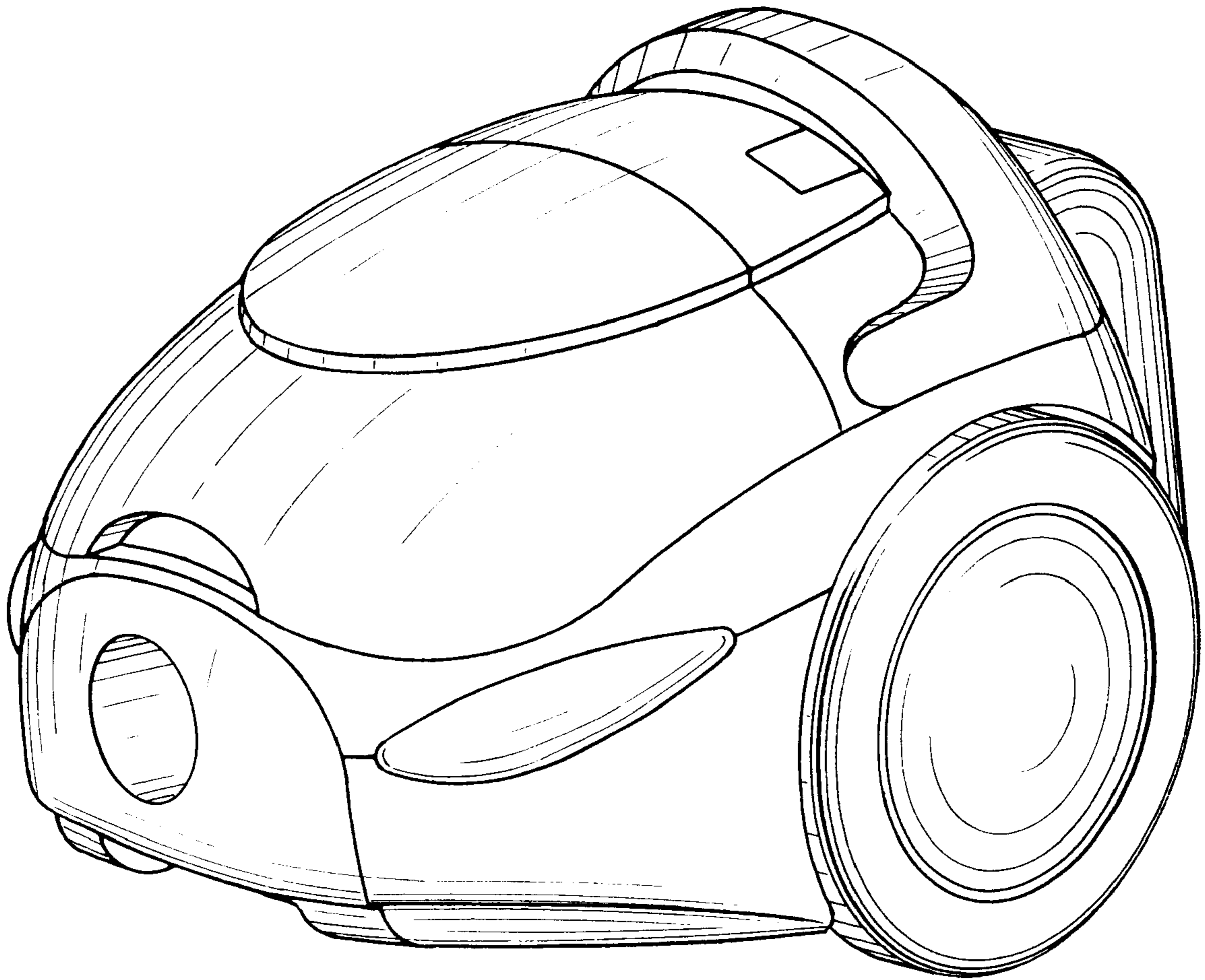


FIG. 3

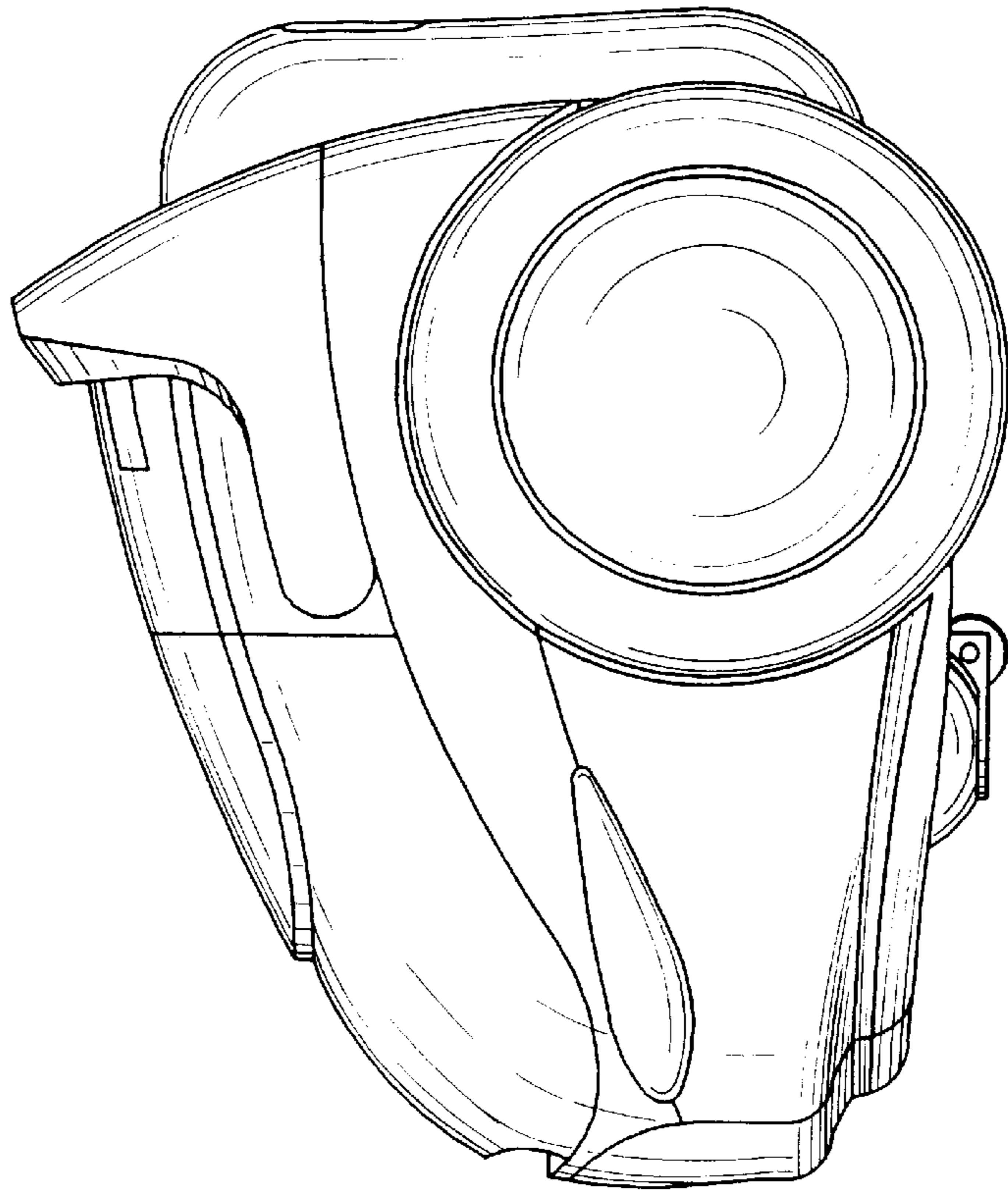


FIG. 2

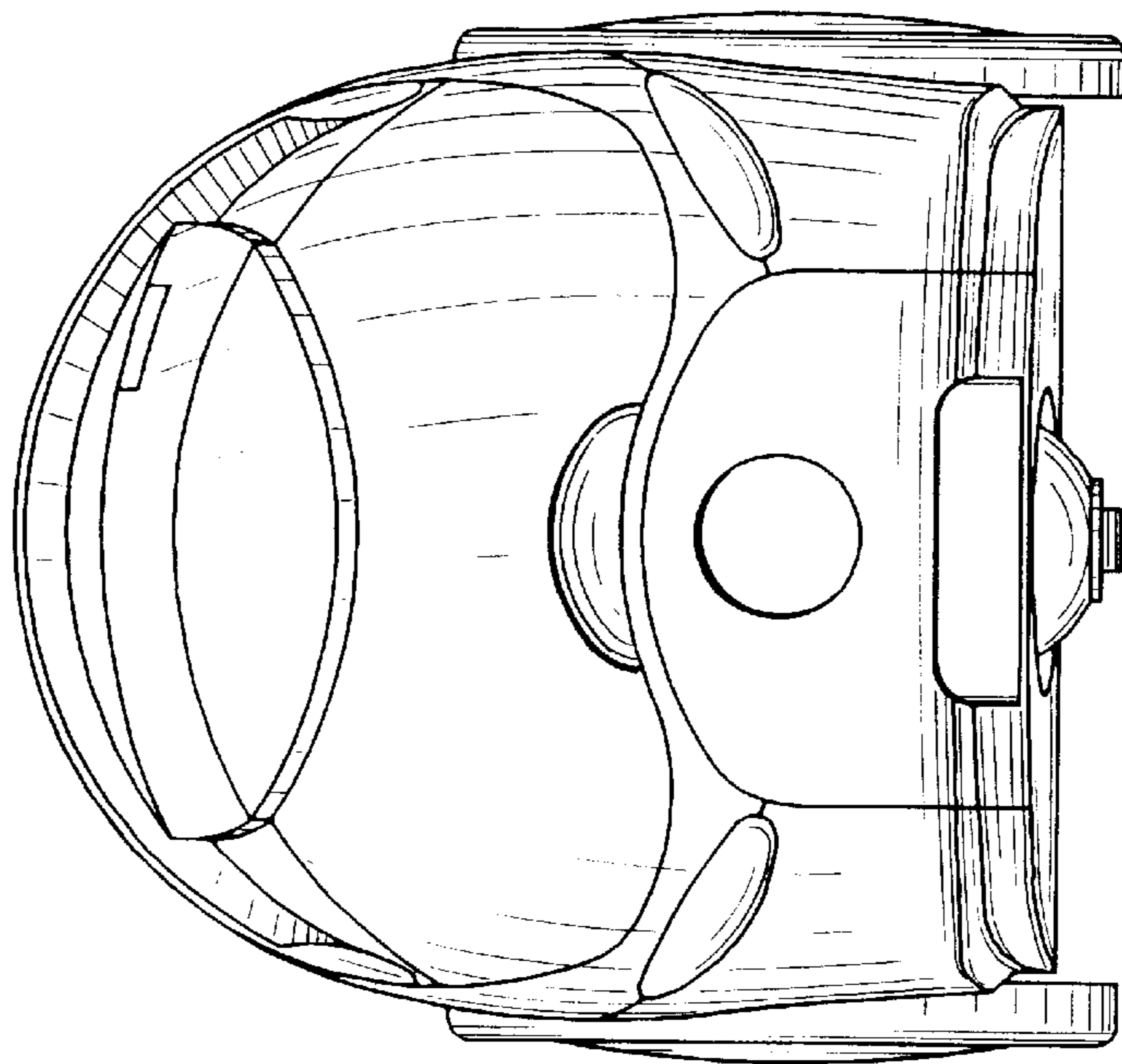


FIG. 5

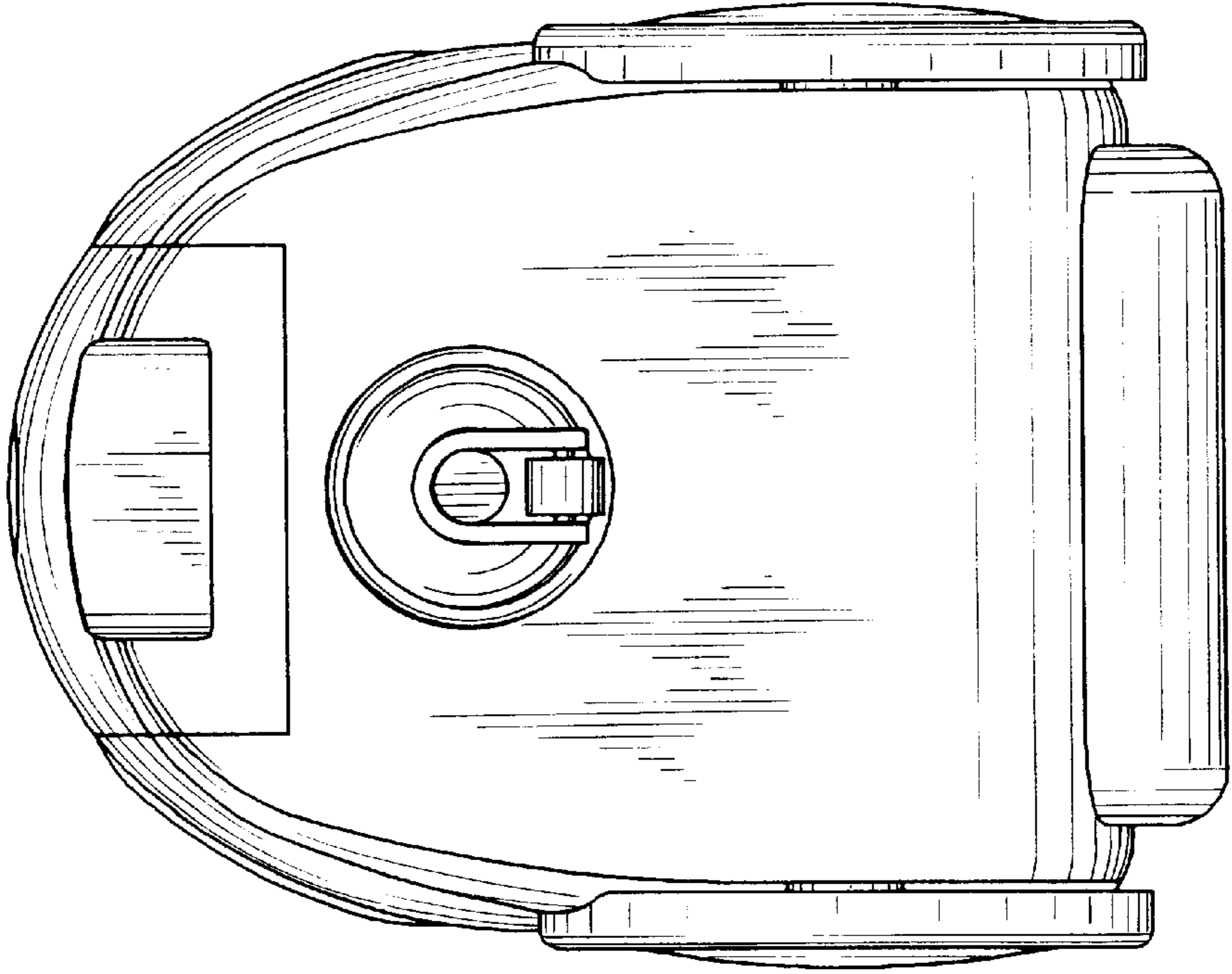


FIG. 4

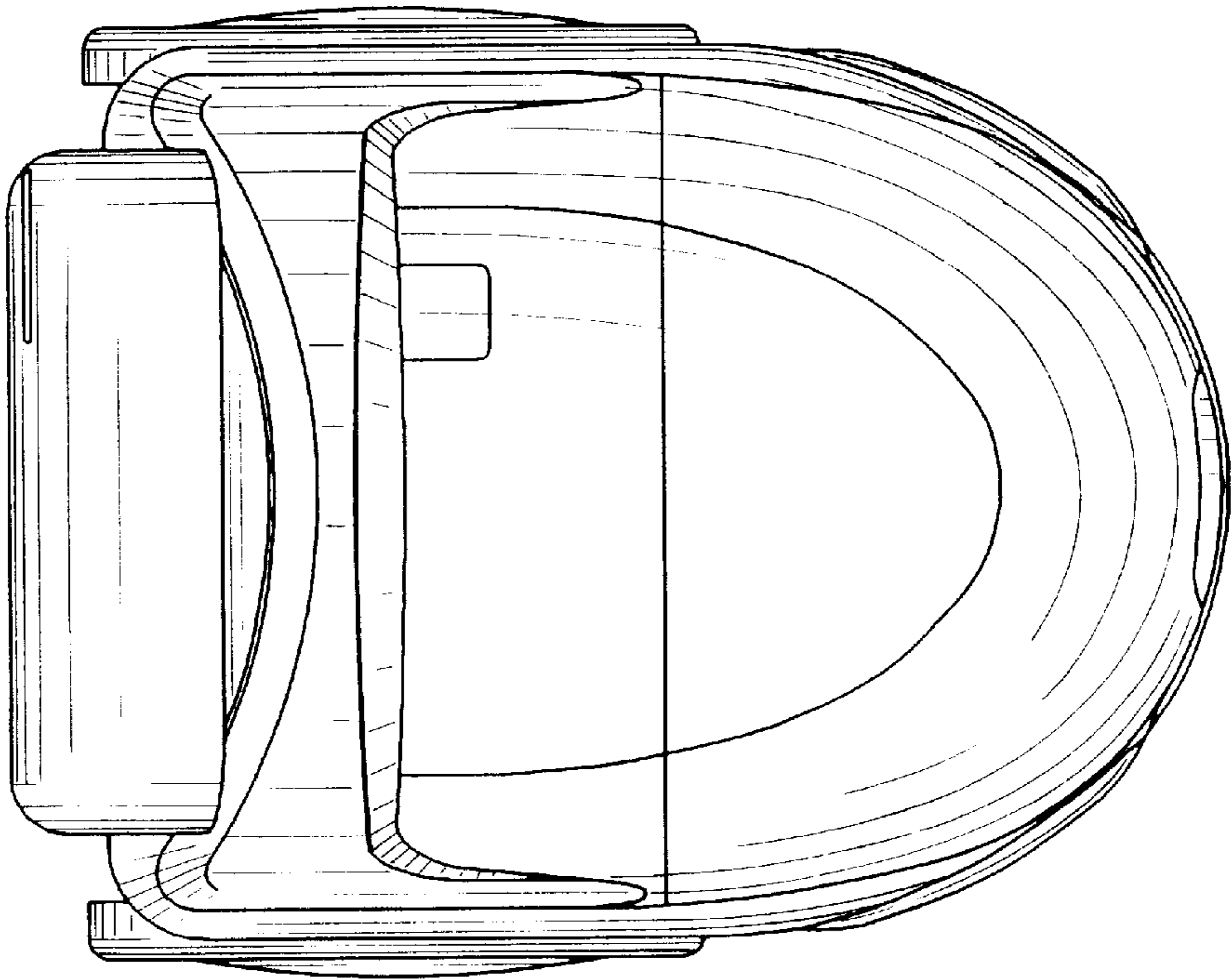


FIG. 7

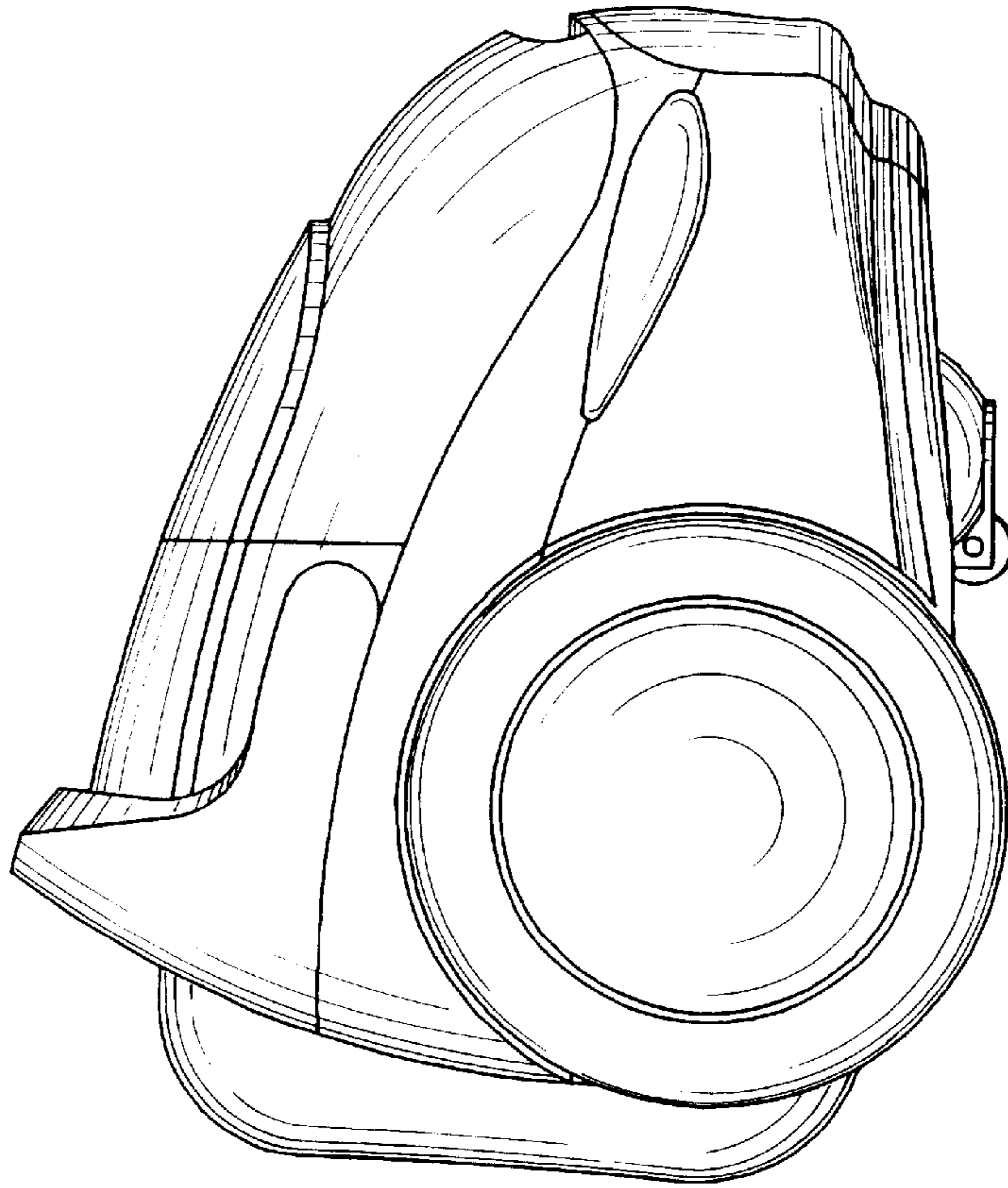


FIG. 6

