



US00D417045S

# United States Patent [19]

[11] **Patent Number: Des. 417,045**

**Dziersk et al.**

[45] **Date of Patent: \*\* Nov. 23, 1999**

[54] **FLOOR CLEANING DEVICE**

D. 405,567 2/1999 Kent et al. .... D32/22

[75] Inventors: **Mark D. Dziersk; Joshua P. Goldfarb,**  
both of Chicago, Ill.

*Primary Examiner*—Ruth McInroy  
*Attorney, Agent, or Firm*—Jack E. Dominik

[73] Assignee: **Breuer Electric Mfg. Co.,** Chicago, Ill.

[57] **CLAIM**

[\*\*] Term: **14 Years**

A floor cleaning device, as shown and described.

[21] Appl. No.: **29/090,590**

**DESCRIPTION**

[22] Filed: **Jul. 11, 1998**

[51] **LOC (6) Cl.** ..... **15-05**

[52] **U.S. Cl.** ..... **D32/16; D32/19**

[58] **Field of Search** ..... D32/15, 16, 19,  
D32/20, 21, 22; 15/49.1, 50.1, 78, 79.1,  
79.2, 82, 87, 320, 321, 353

FIG. 1 is a front perspective view of a floor cleaning device showing our new design;

FIG. 2 is a rear perspective view thereof;

FIG. 3 is a left side elevational view thereof;

FIG. 4 is a right side elevational view thereof;

FIG. 5 is a front elevational view thereof;

FIG. 6 is a rear elevational view thereof;

FIG. 7 is a top plan view thereof;

FIG. 8 is a bottom plan view thereof;

FIG. 9 is a front perspective view of a second embodiment thereof; and,

FIG. 10 is a rear perspective view of FIG. 9.

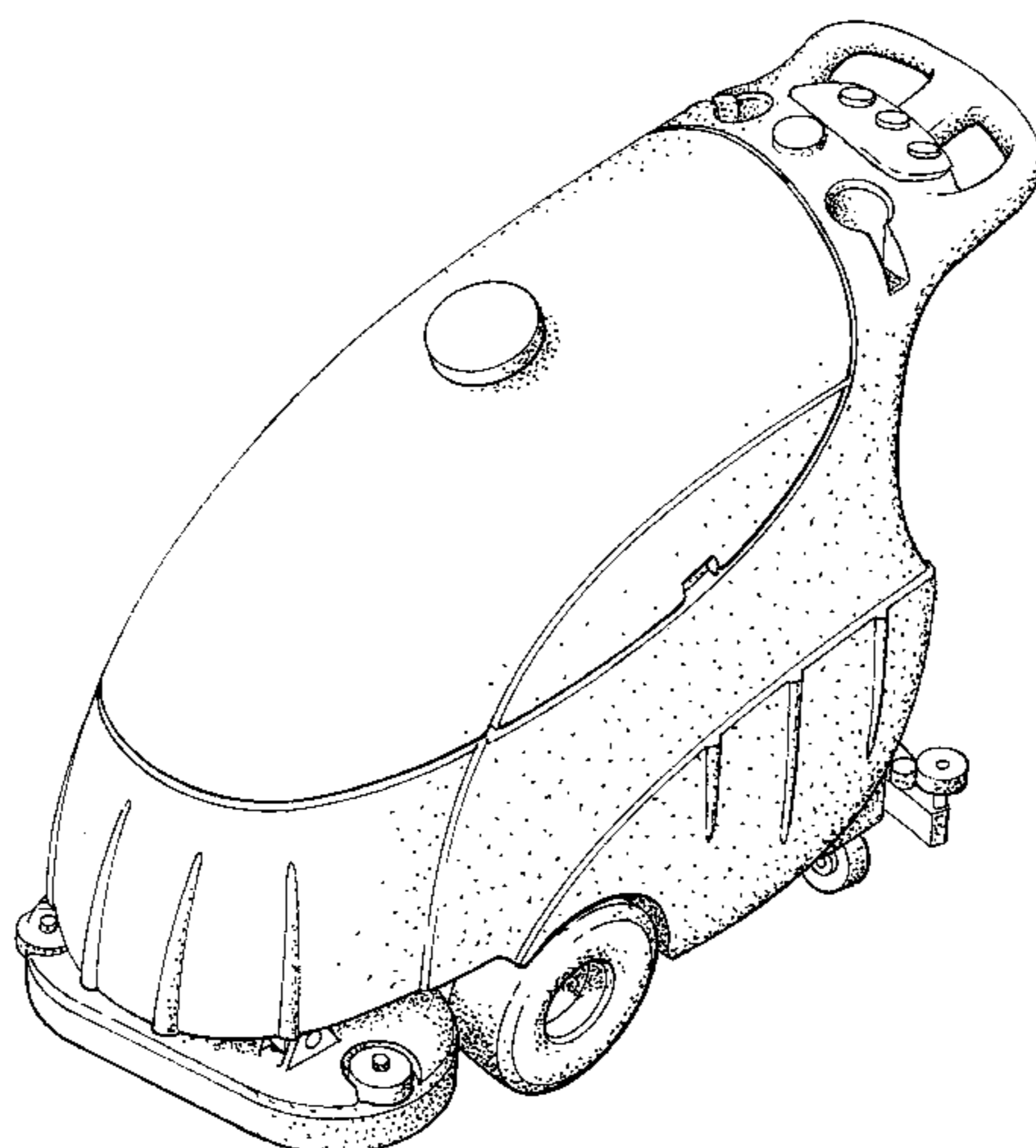
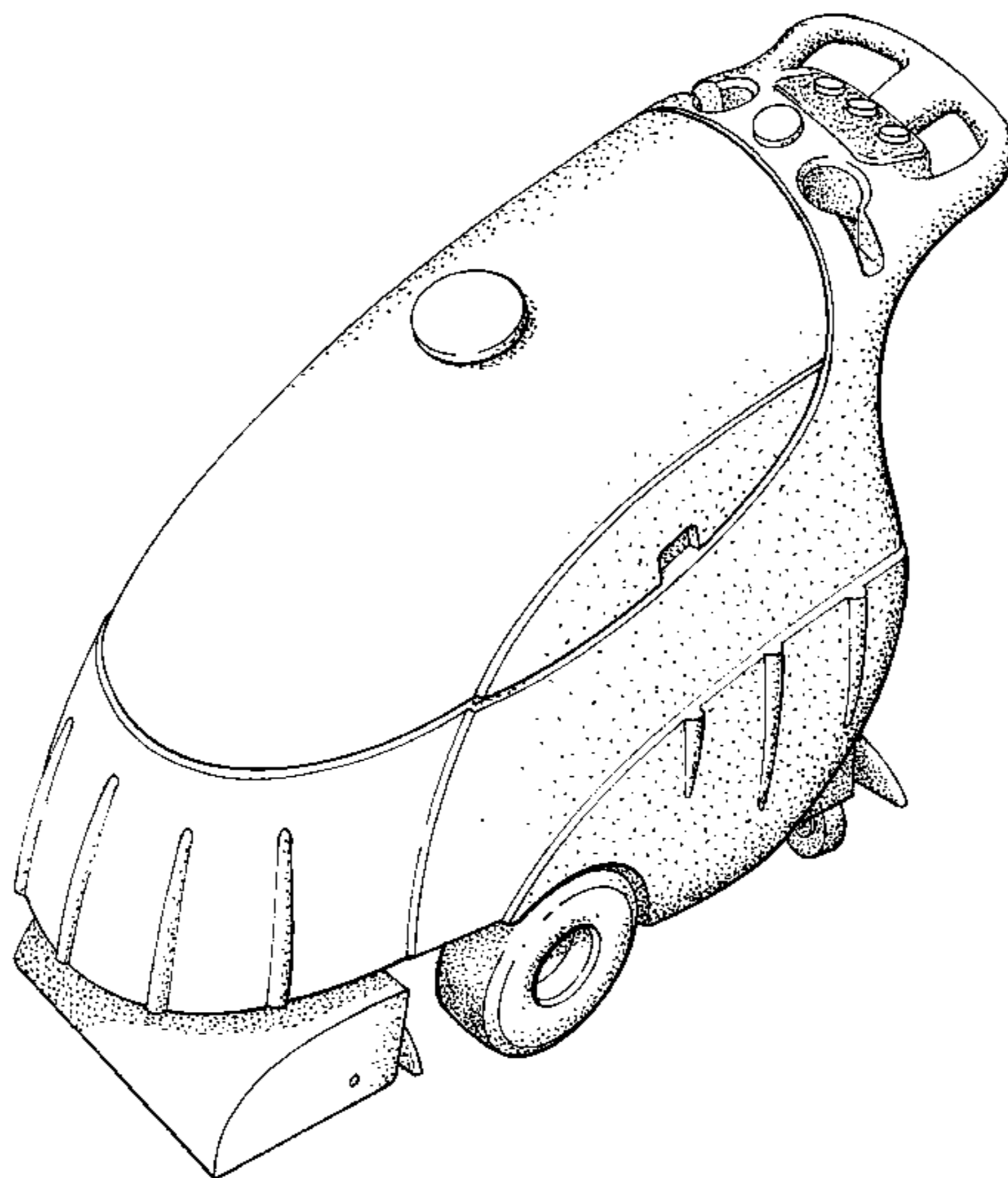
The portion of the second embodiment not shown in the drawings or described in the specification forms no part of the claimed design.

[56] **References Cited**

**U.S. PATENT DOCUMENTS**

D. 333,018	2/1993	Bothun et al. ....	D32/19
D. 364,012	11/1995	Bothun et al. ....	D32/19
D. 365,423	12/1995	Bores et al. ....	D32/16
D. 369,446	4/1996	Smith ....	D32/19
D. 404,859	1/1999	Dziersk et al. ....	D32/21

**1 Claim, 9 Drawing Sheets**



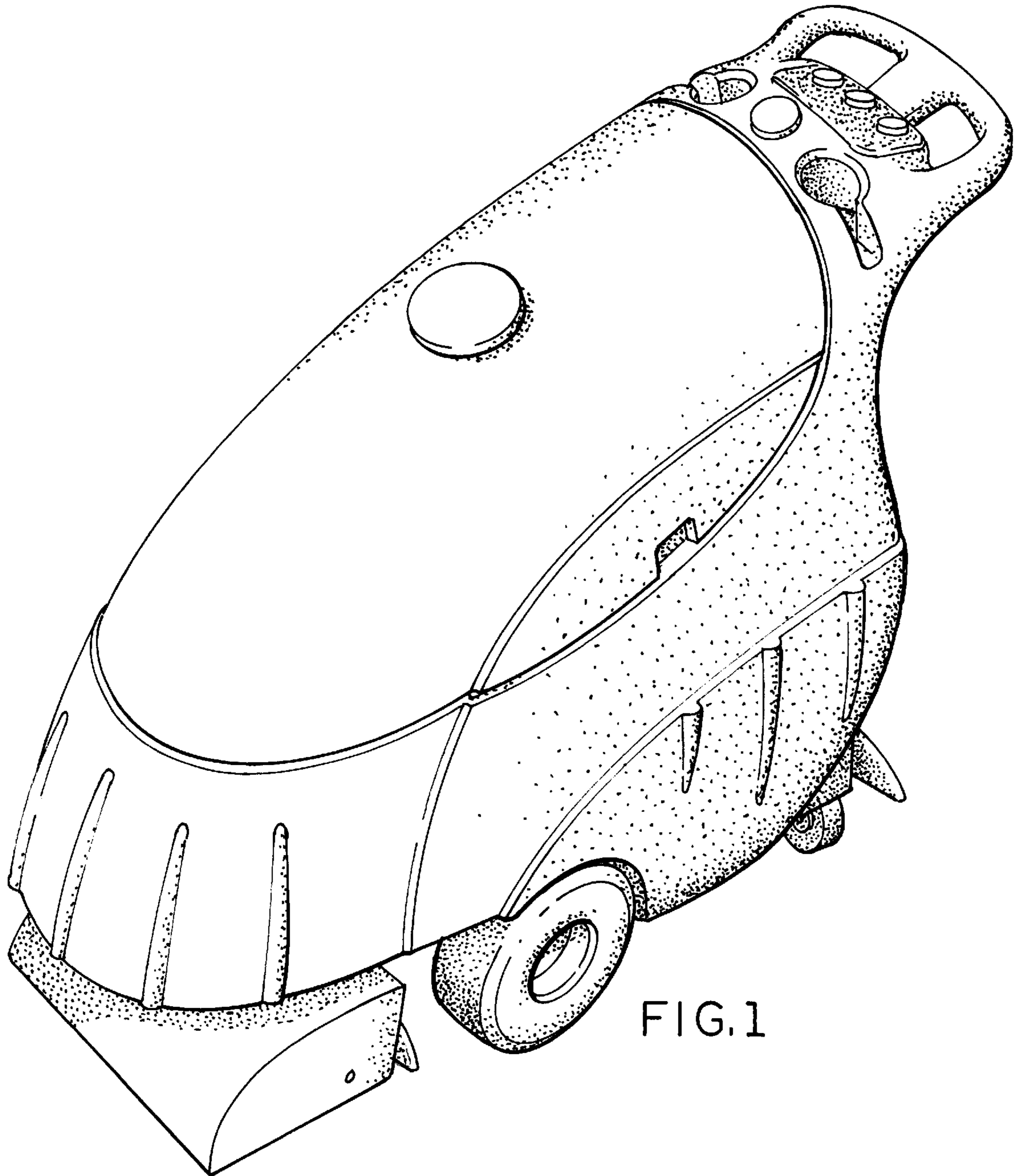


FIG. 1

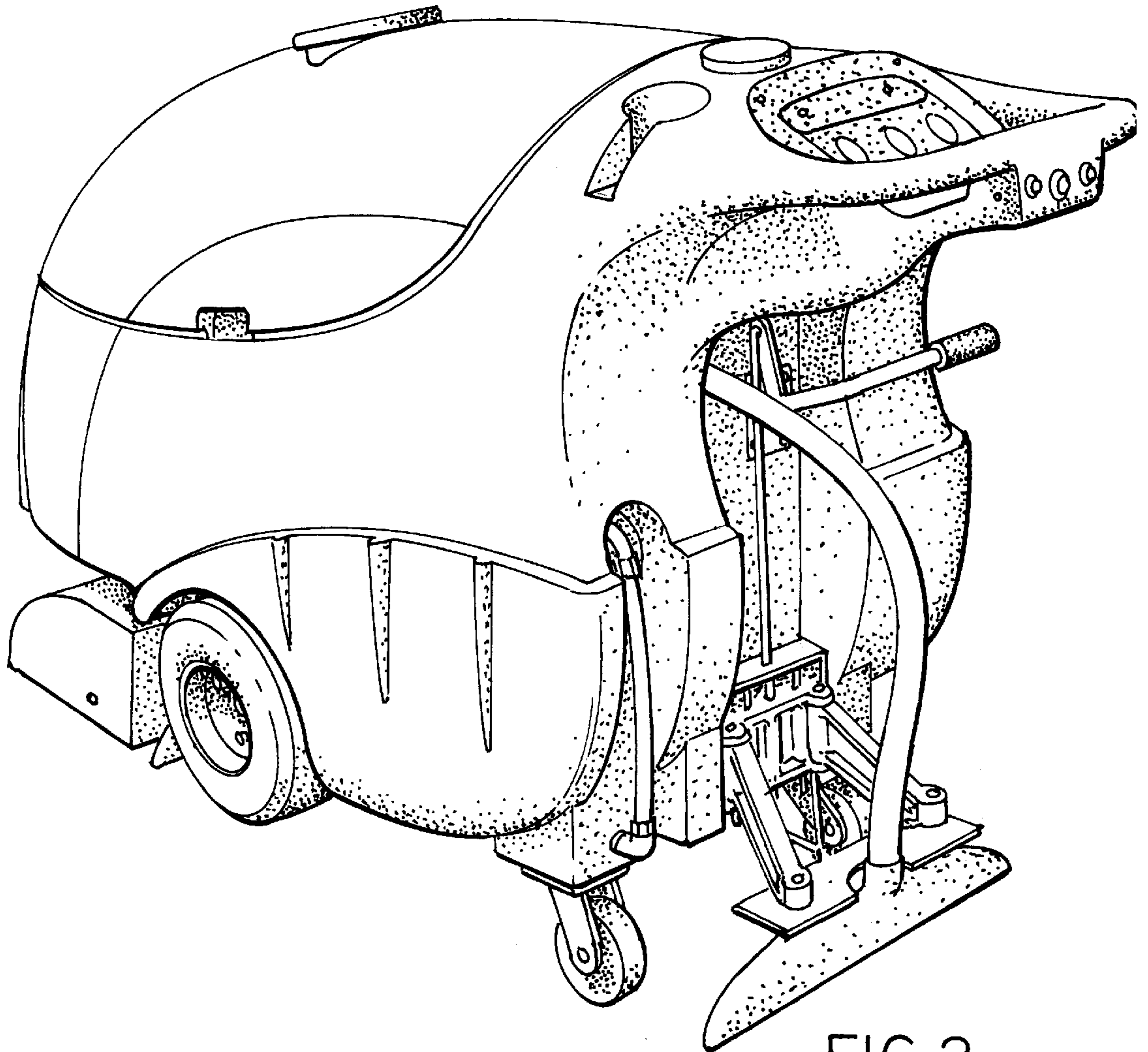


FIG. 2



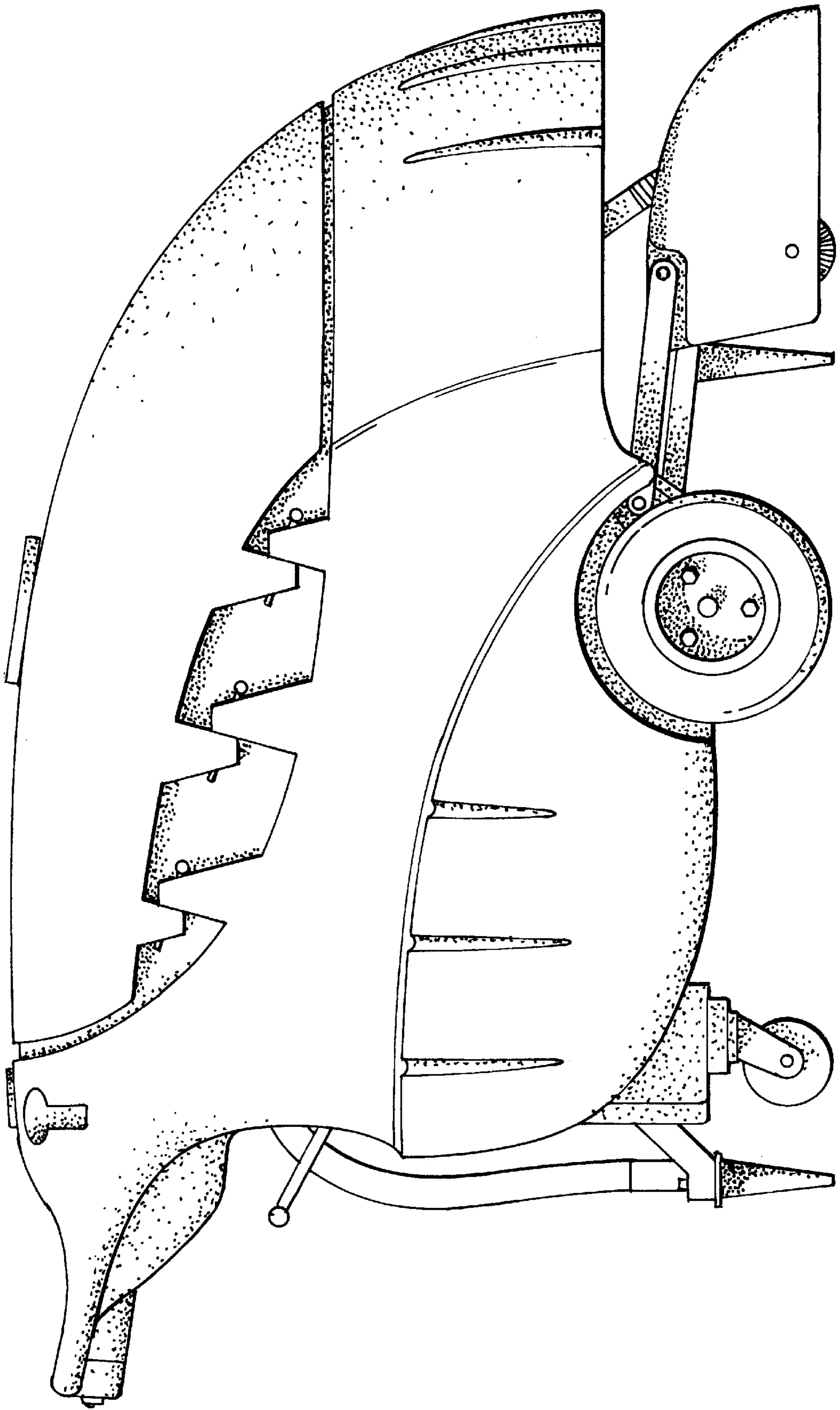


FIG. 3

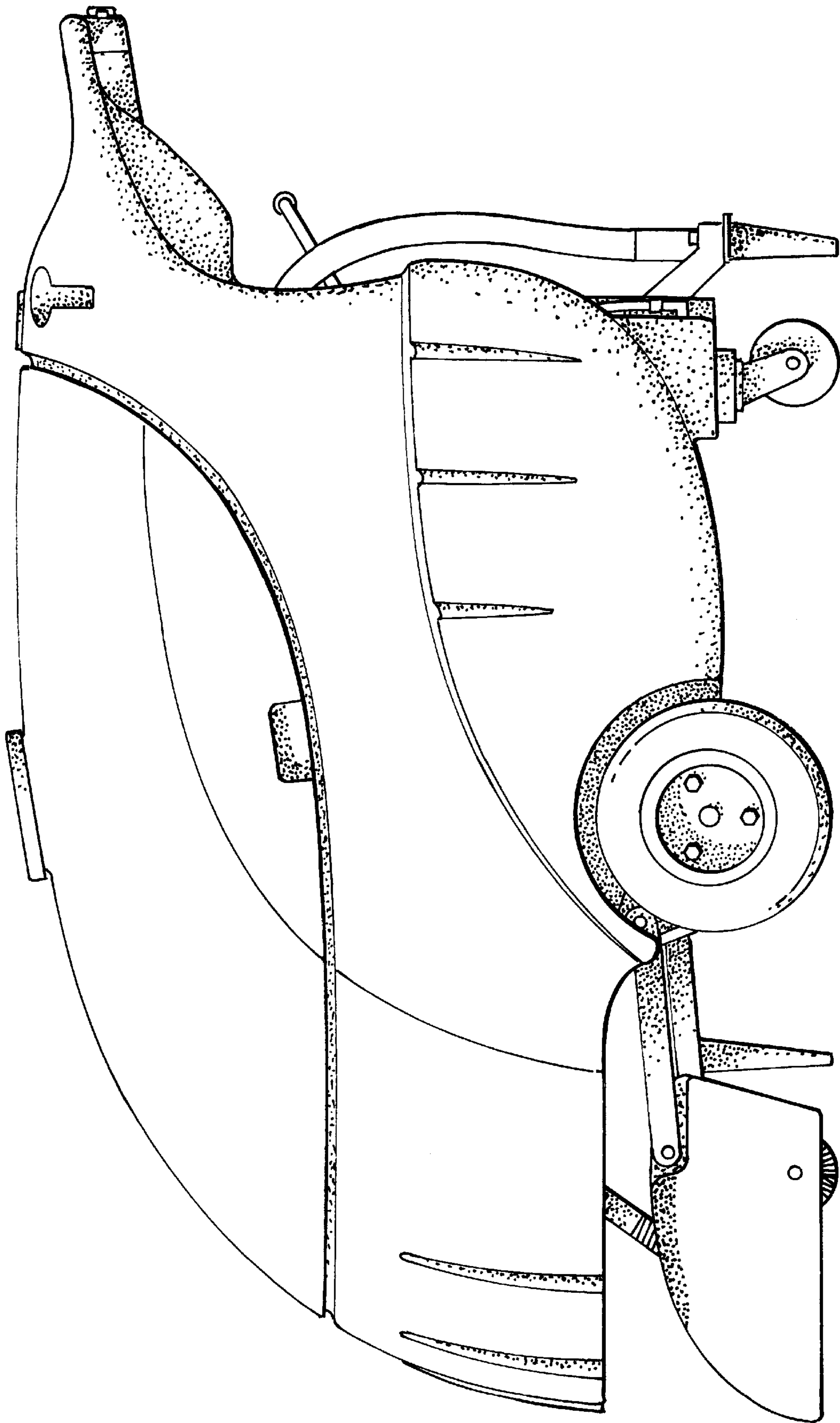


FIG.4

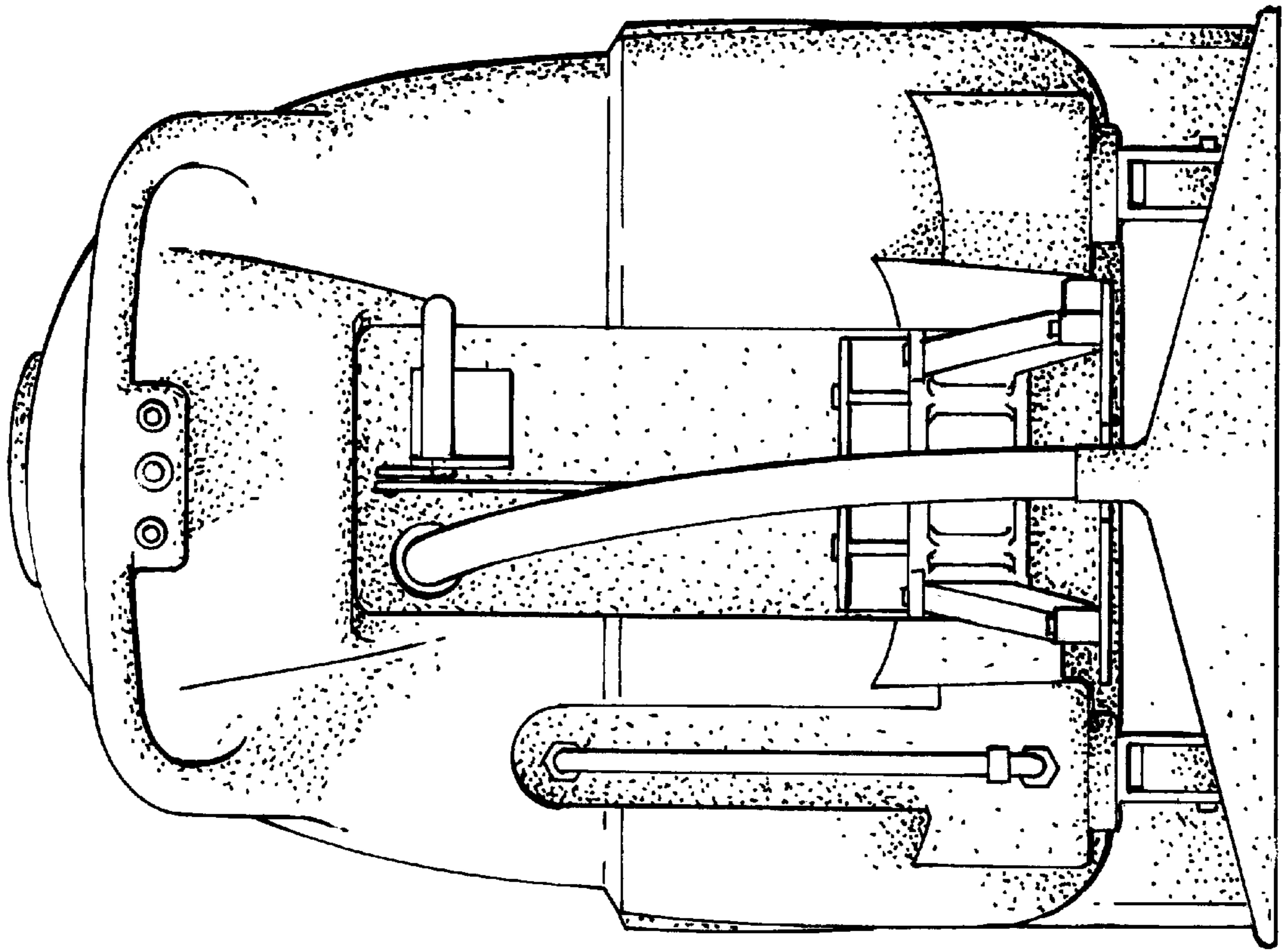


FIG. 5

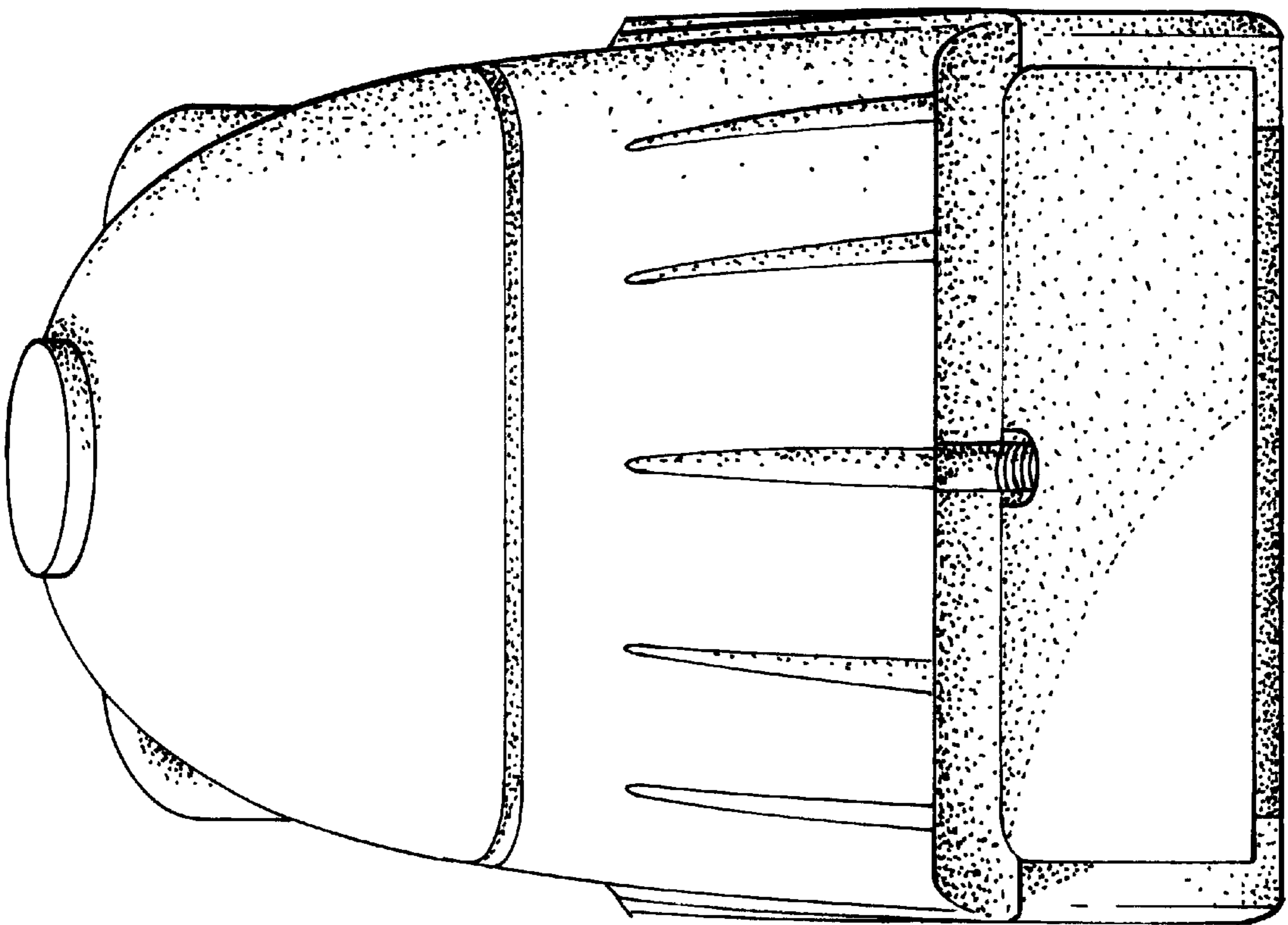


FIG. 6

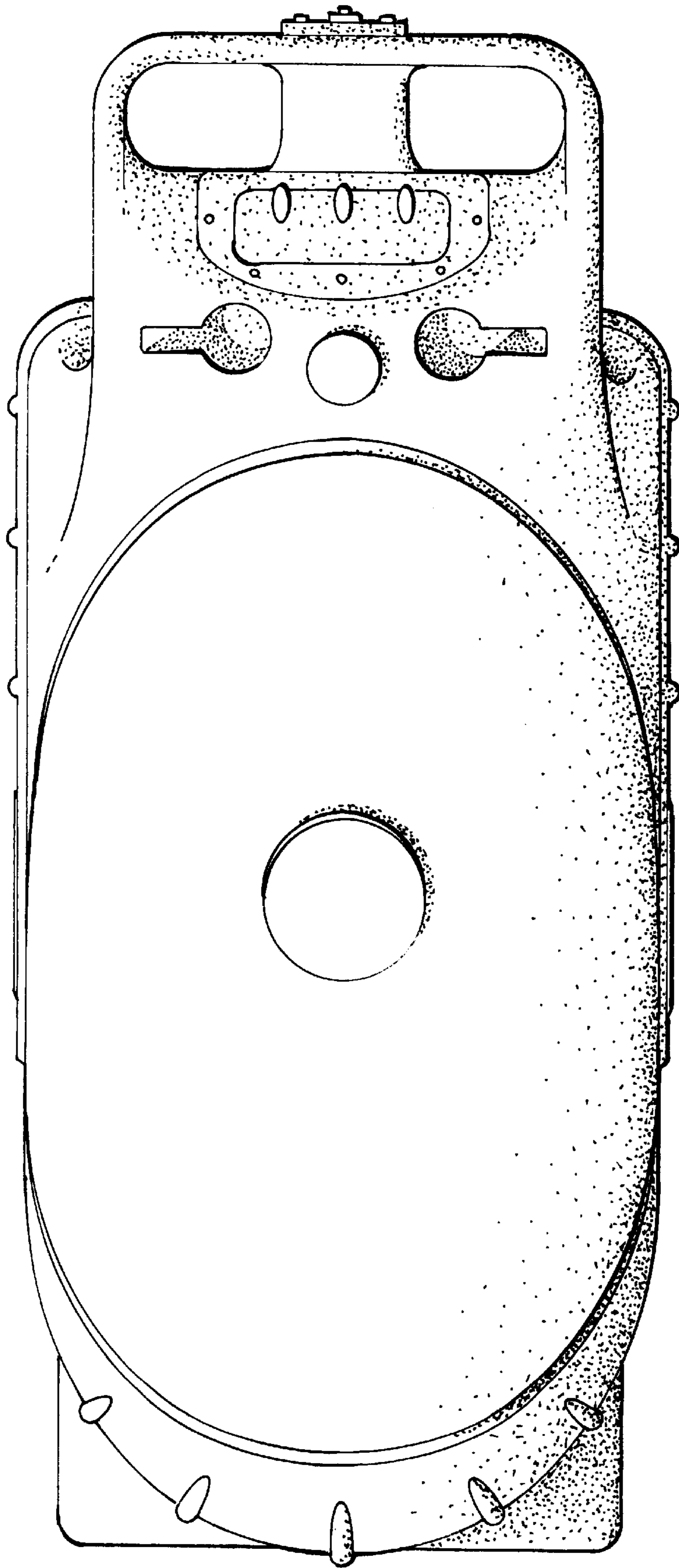


FIG. 7



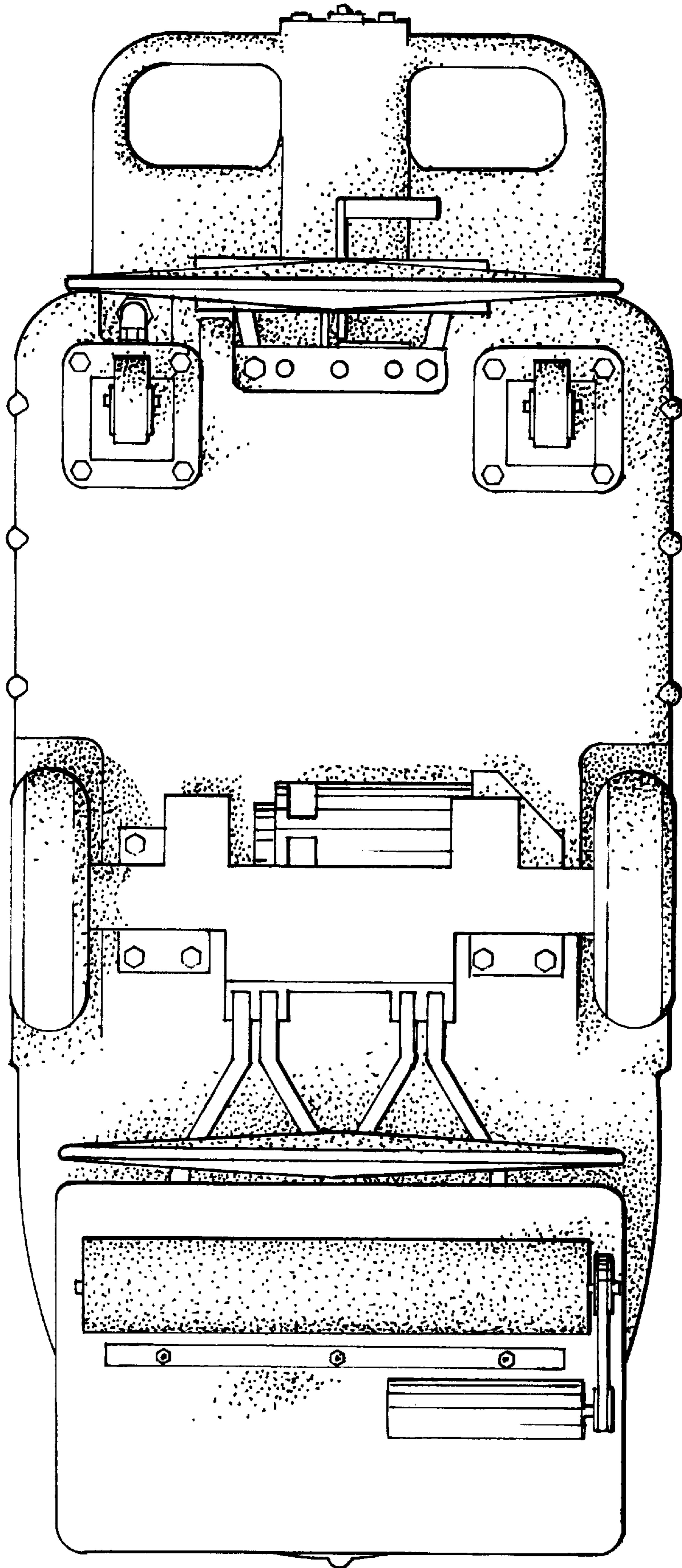
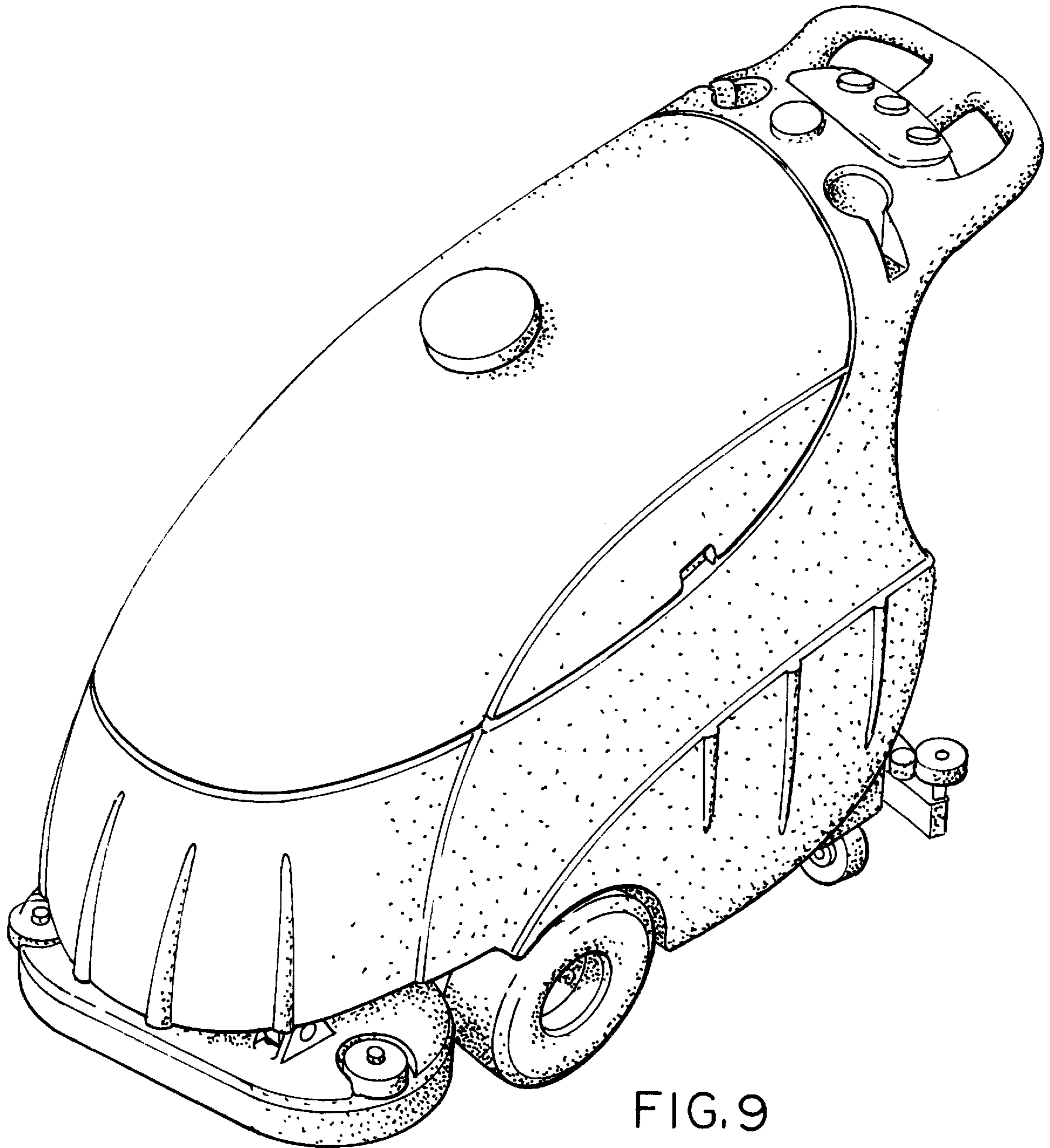


FIG. 8





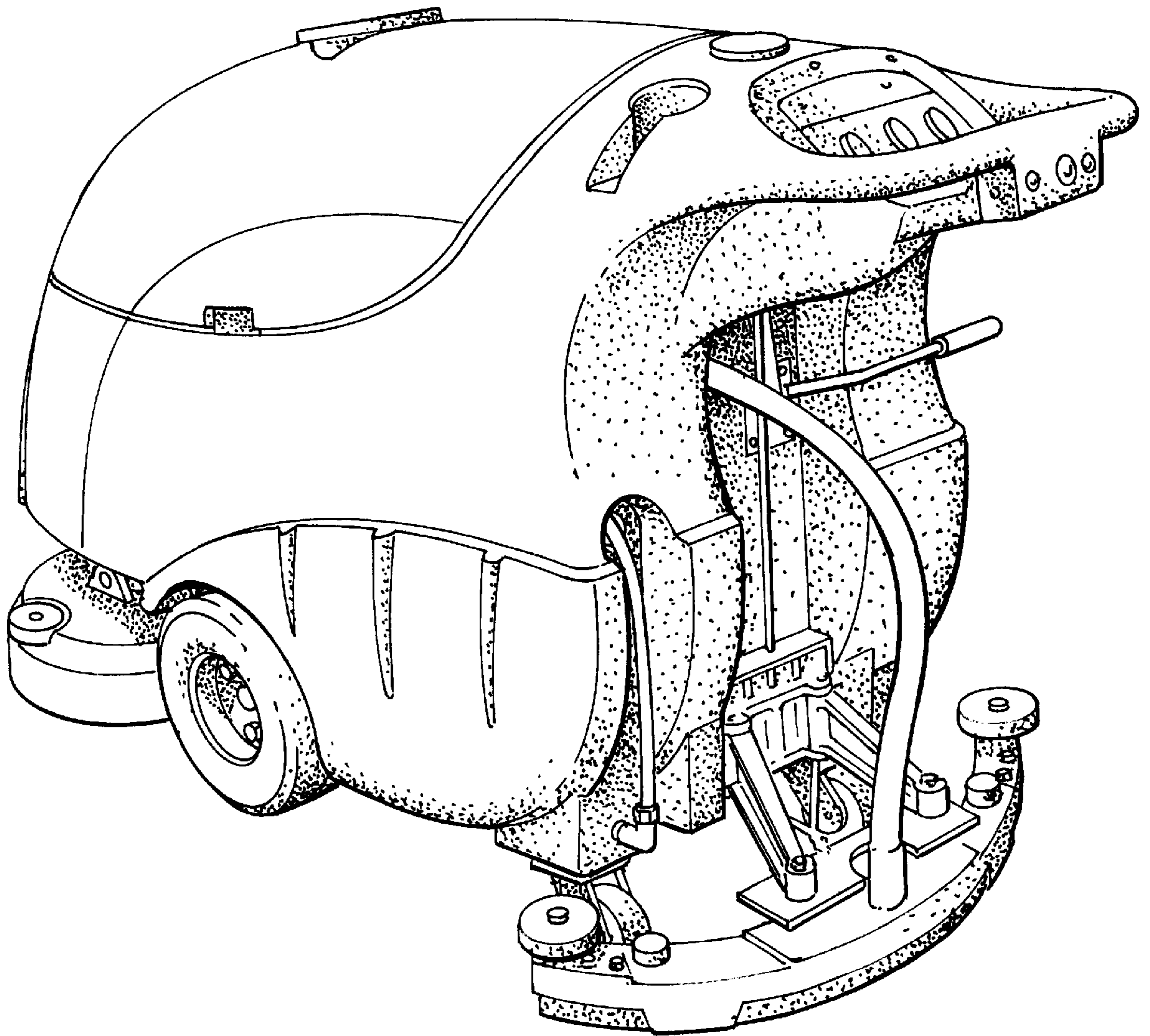


FIG.10