



US00D417044S

**United States Patent** [19]  
**Ohi et al.**

[11] **Patent Number: Des. 417,044**  
[45] **Date of Patent: \*\* Nov. 23, 1999**

[54] **BLOWER ATTACHMENT**

[75] Inventors: **Taku Ohi**, Chandler; **Kenneth M. Brazell**, Phoenix; **Naoki Kikuchi**, Chandler, all of Ariz.

[73] Assignee: **Ryobi North America, Inc.**, Anderson, S.C.

[\*\*] Term: **14 Years**

[21] Appl. No.: **29/083,680**

[22] Filed: **Feb. 16, 1998**

**Related U.S. Application Data**

[62] Division of application No. 29/057,517, Jul. 26, 1996, Pat. No. Des. 393,506.

[51] **LOC (6) Cl.** ..... **15-05**

[52] **U.S. Cl.** ..... **D32/15**

[58] **Field of Search** ..... D32/15; 15/344, 15/345, 405, 406, 415.1, 328

[56] **References Cited**

**U.S. PATENT DOCUMENTS**

|            |         |                      |        |
|------------|---------|----------------------|--------|
| D. 258,908 | 4/1981  | Satoh .              |        |
| D. 265,503 | 7/1982  | Krug .               |        |
| D. 282,396 | 1/1986  | Weaver .....         | D32/15 |
| D. 285,132 | 8/1986  | Smith et al. .       |        |
| D. 297,274 | 8/1988  | Kimiya et al. .      |        |
| D. 305,816 | 1/1990  | Berfield et al. .... | D32/15 |
| D. 339,432 | 9/1993  | Rakocy et al. ....   | D32/15 |
| D. 340,326 | 10/1993 | Genovese .....       | D32/15 |
| D. 354,378 | 1/1995  | McKnight et al. .... | D32/15 |

|            |         |                       |        |
|------------|---------|-----------------------|--------|
| D. 357,774 | 4/1995  | Kishi .               |        |
| D. 359,603 | 6/1995  | Rakocy et al. ....    | D32/15 |
| D. 361,414 | 8/1995  | Trautloff et al. .... | D32/15 |
| D. 363,149 | 10/1995 | Franke et al. ....    | D32/15 |
| D. 393,506 | 4/1998  | Ohi et al. ....       | D32/15 |
| 3,441,089  | 4/1969  | Minton .              |        |
| 4,187,577  | 2/1980  | Hansen et al. .       |        |
| 4,242,794  | 1/1981  | Peterson .            |        |
| 4,397,059  | 8/1983  | Chernosky .           |        |
| 4,404,706  | 9/1983  | Loyd .                |        |
| 5,031,395  | 7/1991  | Ohkanda et al. .      |        |
| 5,410,866  | 5/1995  | Long .                |        |
| 5,768,749  | 7/1996  | Ohi et al. ....       | 15/361 |

*Primary Examiner*—Ruth McInroy  
*Attorney, Agent, or Firm*—Brooks & Kushman P.C.

[57] **CLAIM**

The ornamental design for a blower attachment, as shown and described.

**DESCRIPTION**

FIG. 1 is a perspective view of a blower attachment showing our new design;

FIG. 2 is a top plan view thereof;

FIG. 3 is a bottom plan view thereof;

FIG. 4 is a left side elevational view thereof;

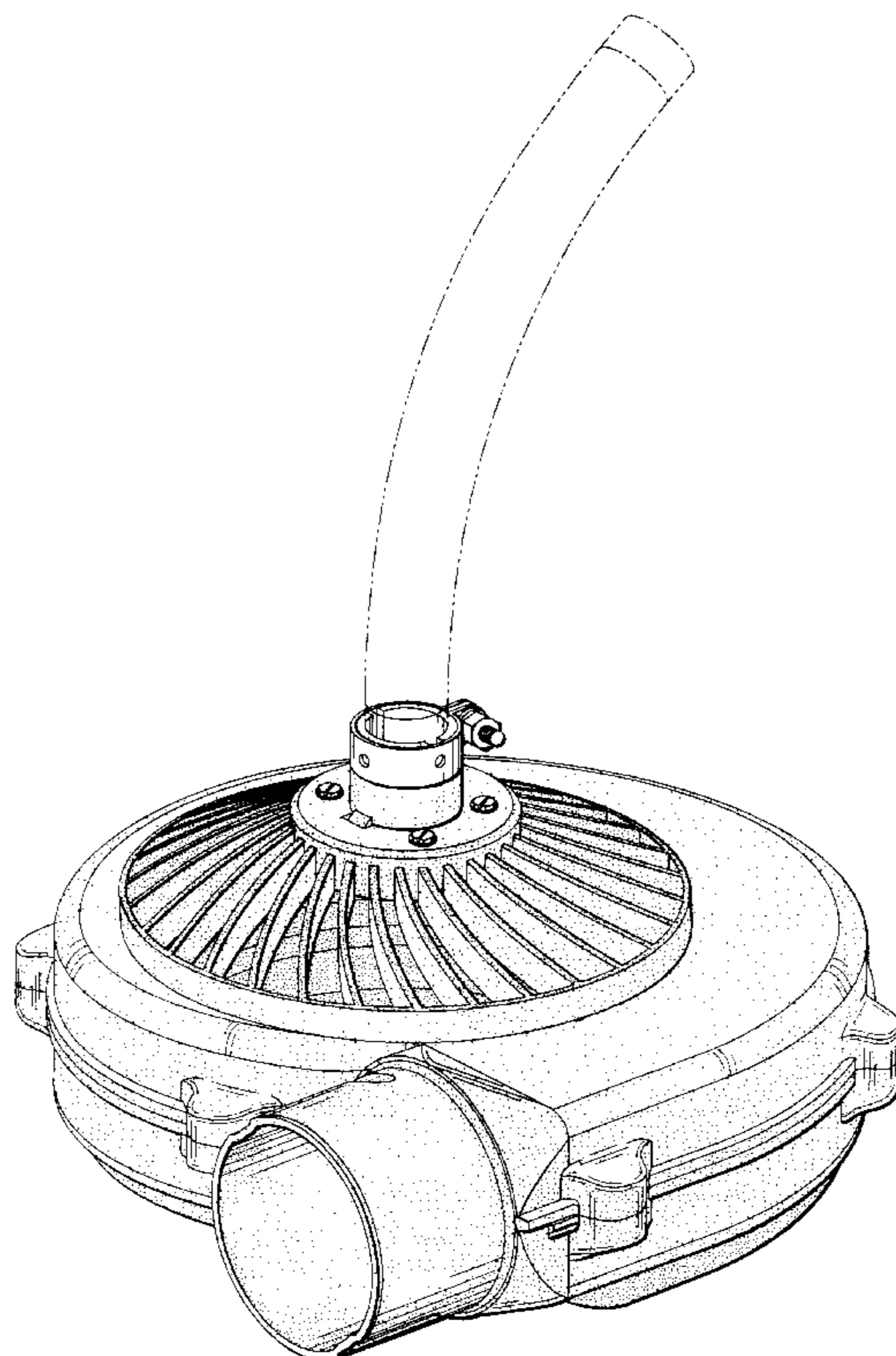
FIG. 5 is a right side elevational view thereof;

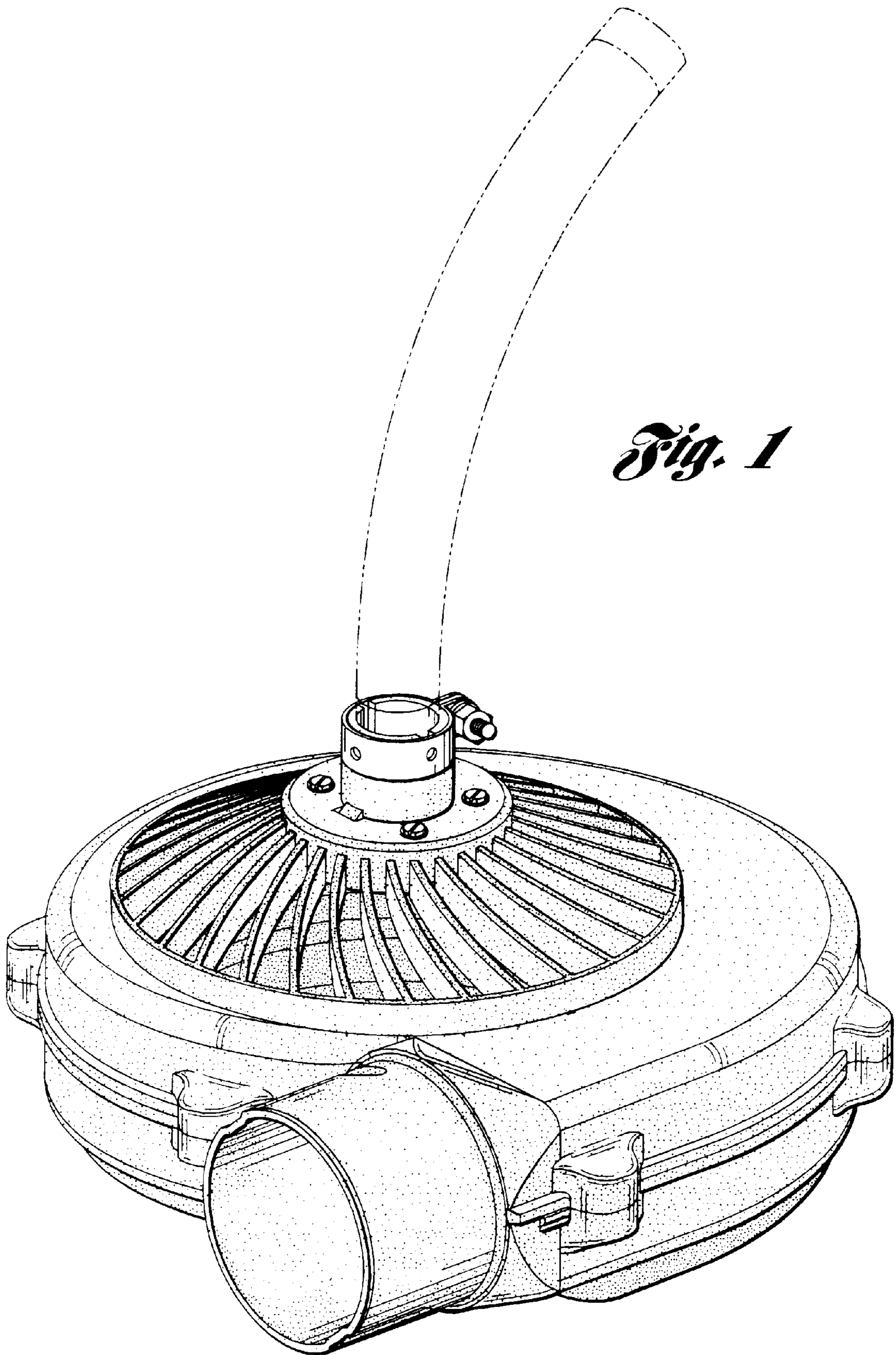
FIG. 6 is a front elevational view thereof; and,

FIG. 7 is a rear elevational view thereof.

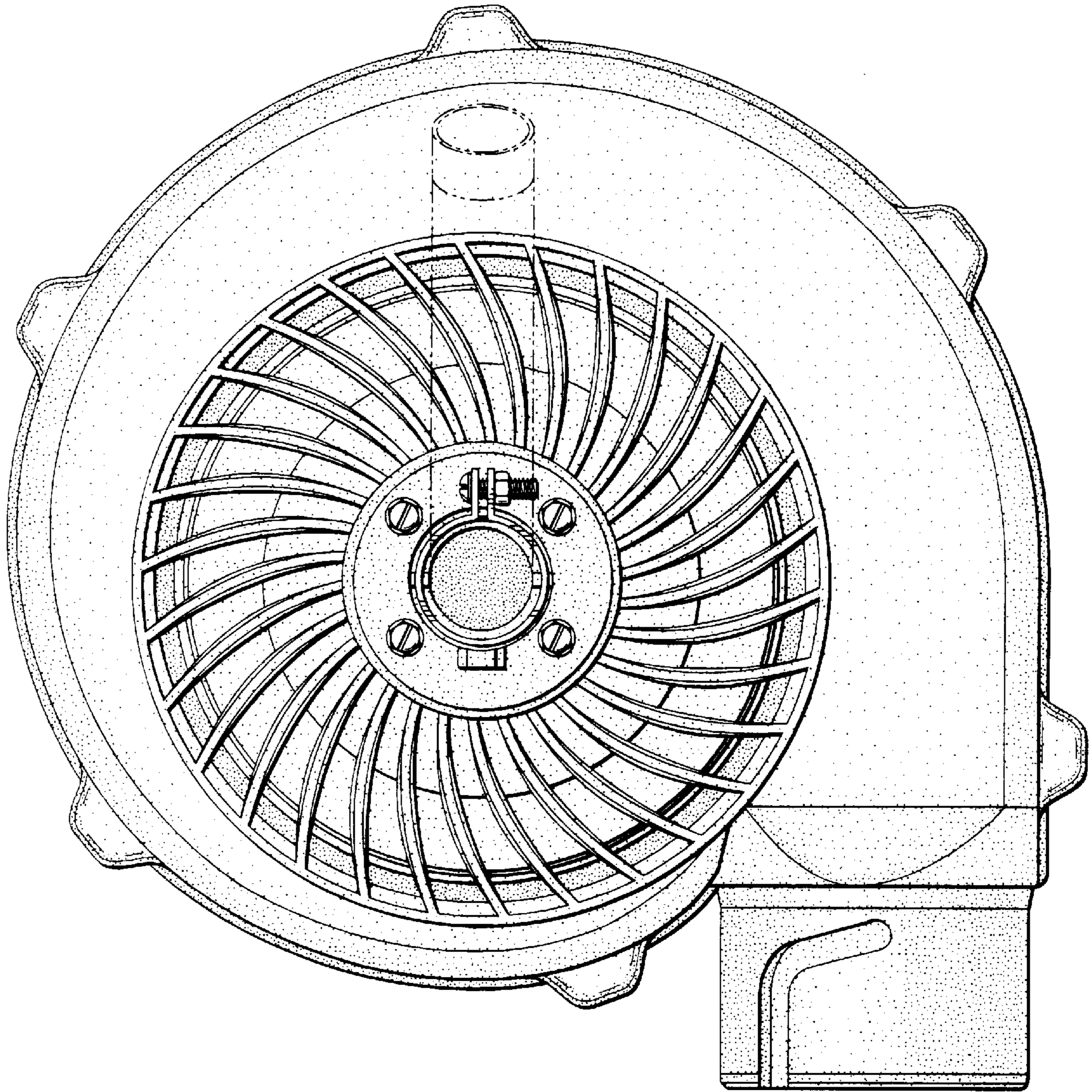
The details shown in broken lines in FIGS. 1 and 2 are for illustrative purposes only and form no part of the claimed design.

**1 Claim, 5 Drawing Sheets**



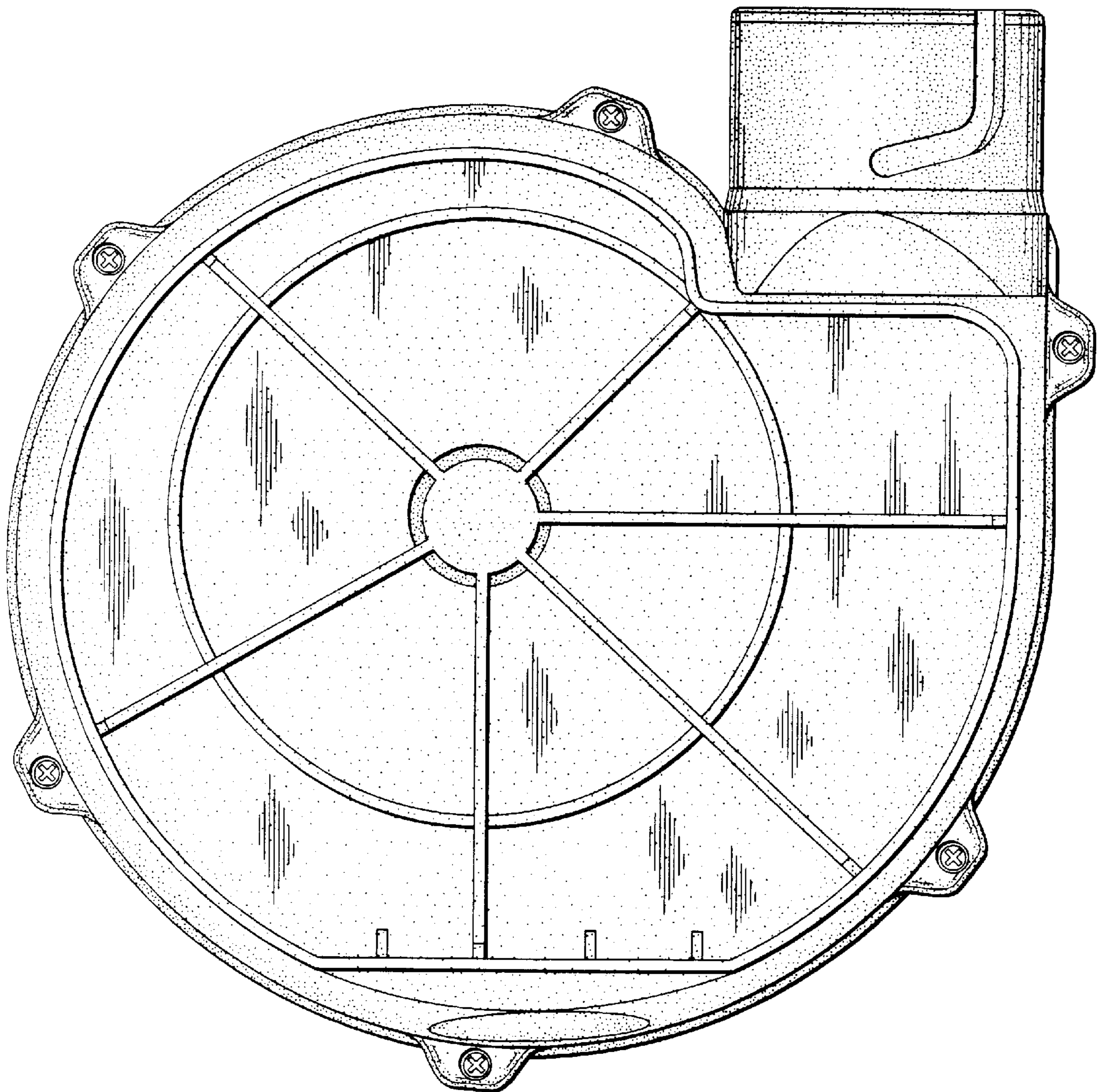


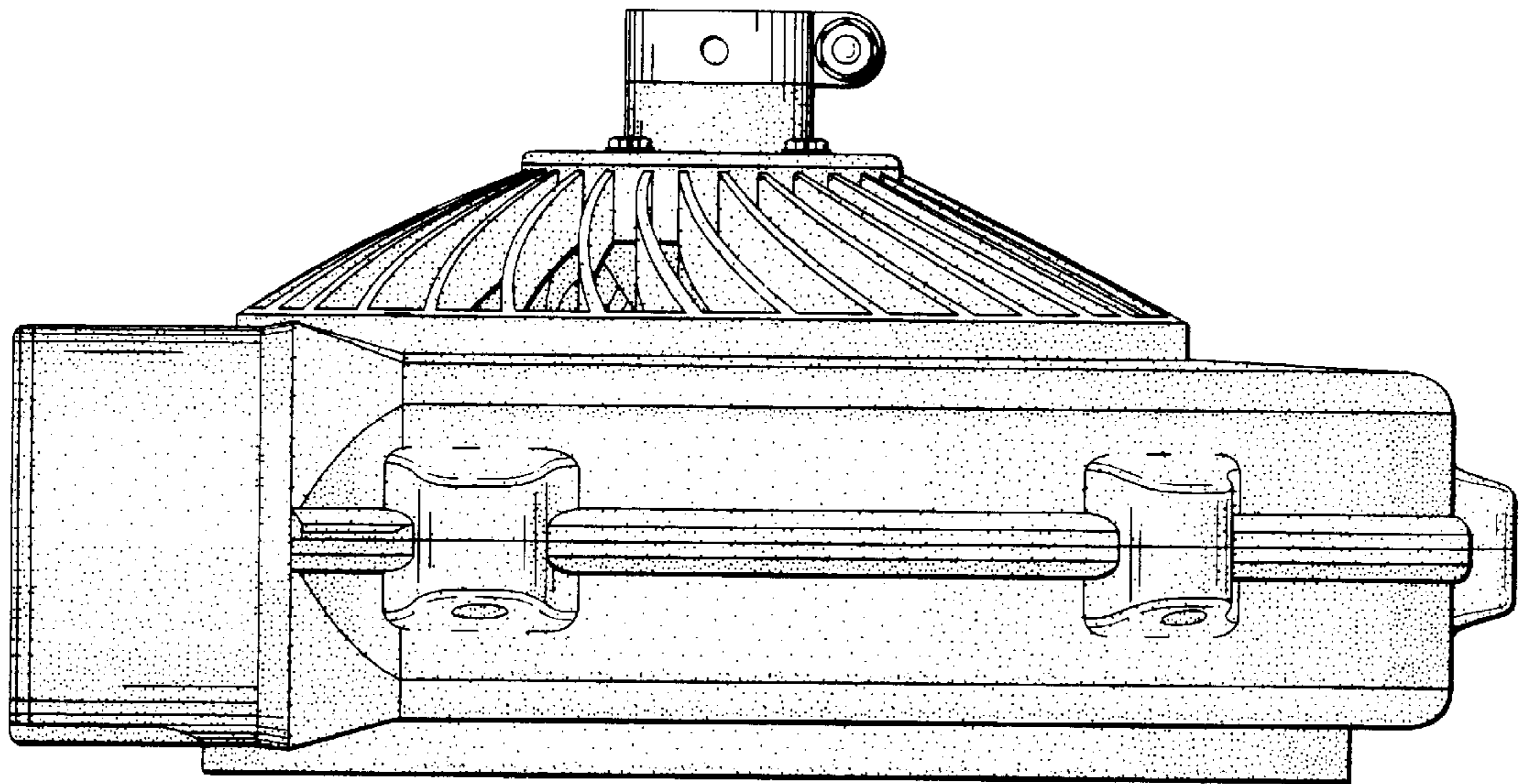
*Fig. 1*



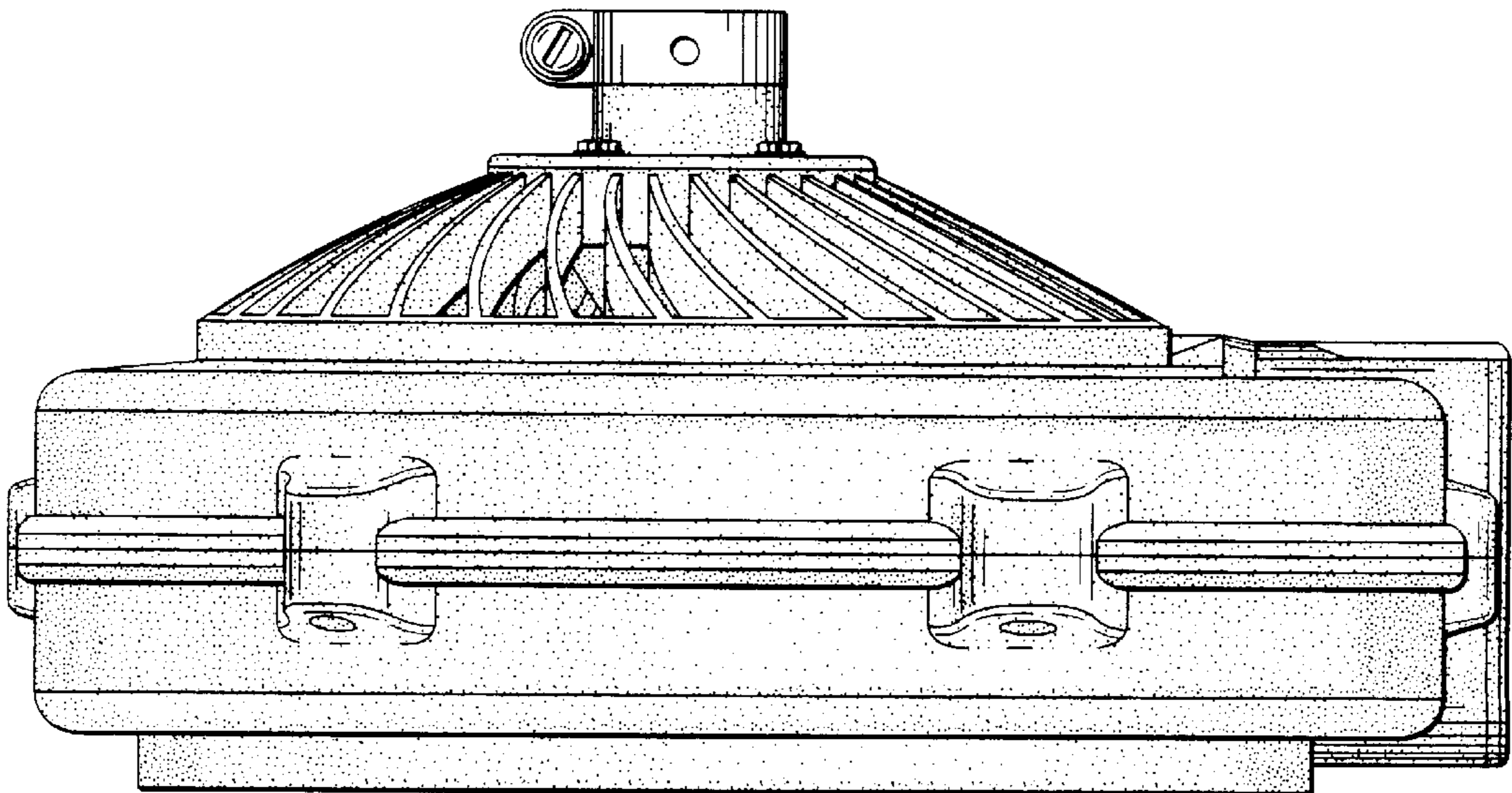
*Fig. 2*

*Fig. 3*

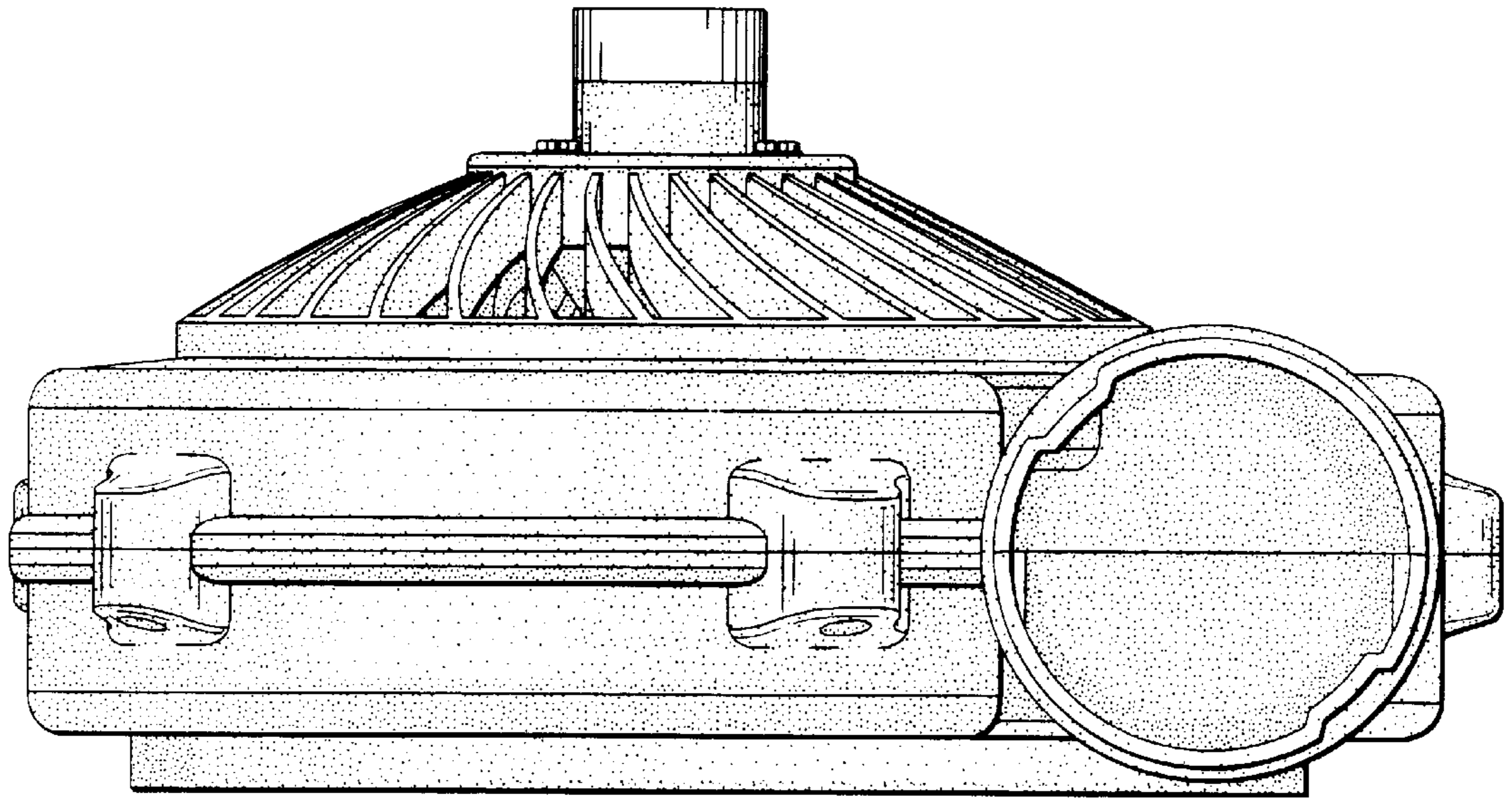




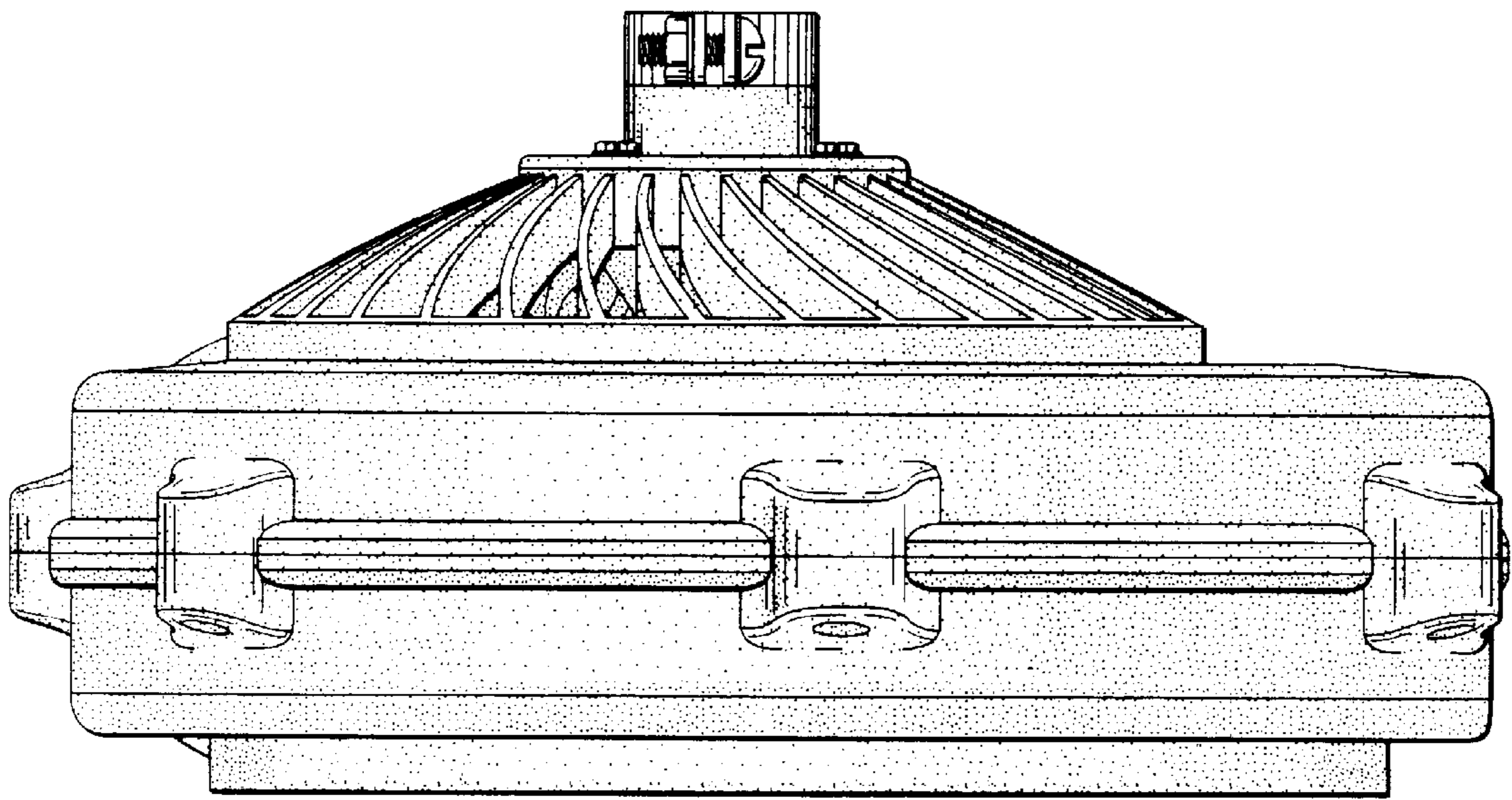
*Fig. 4*



*Fig. 5*



*Fig. 6*



*Fig. 7*