



US00D417042S

# United States Patent [19]

Hodges, Jr. et al.

[11] **Patent Number: Des. 417,042**

[45] **Date of Patent: \*\* Nov. 23, 1999**

[54] **PET SCOOP**

[76] Inventors: **James E. Hodges, Jr.; Ruth C. Hodges**, both of 618 Lillie St., Elgin, Ill. 60120

[\*\*] Term: **14 Years**

[21] Appl. No.: **29/100,966**

[22] Filed: **Feb. 19, 1999**

[51] **LOC (6) Cl.** ..... **30-99**

[52] **U.S. Cl.** ..... **D30/162**

[58] **Field of Search** ..... D30/162; 294/1.3, 294/1.4, 1.5, 55, 50.8; D8/10; 209/419; 56/400.11; 15/236.01

[56] **References Cited**

### U.S. PATENT DOCUMENTS

D. 257,406	10/1980	Ouellette	.....	D30/162
D. 321,631	11/1991	Shaw	.....	D8/10
D. 386,840	11/1997	Sturm	.....	D30/162

3,971,503	7/1976	Allan et al.	.....	D30/162
4,909,553	3/1990	Hantover	.....	294/1.3
5,039,148	8/1991	Brautovich	.....	294/1.3
5,584,519	12/1996	Myles et al.	.....	294/1.3
5,711,564	1/1998	Campbell	.....	294/1.3
5,797,636	8/1998	Hamynen	.....	294/1.3
5,865,486	2/1999	Bussani	.....	294/1.3

*Primary Examiner*—Cathy Anne MacCormac

### [57] CLAIM

The ornamental design for a pet scoop, as shown and described.

### DESCRIPTION

FIG. 1 is a top perspective view of the pet scoop.  
 FIG. 2 is a bottom plan view of FIG. 1.  
 FIG. 3 is a front elevational view of FIG. 1.  
 FIG. 4 is a rear elevational view of FIG. 1; and,  
 FIG. 5 is a perspective view showing the pet scoop in a folded position ready for use.

**1 Claim, 1 Drawing Sheet**

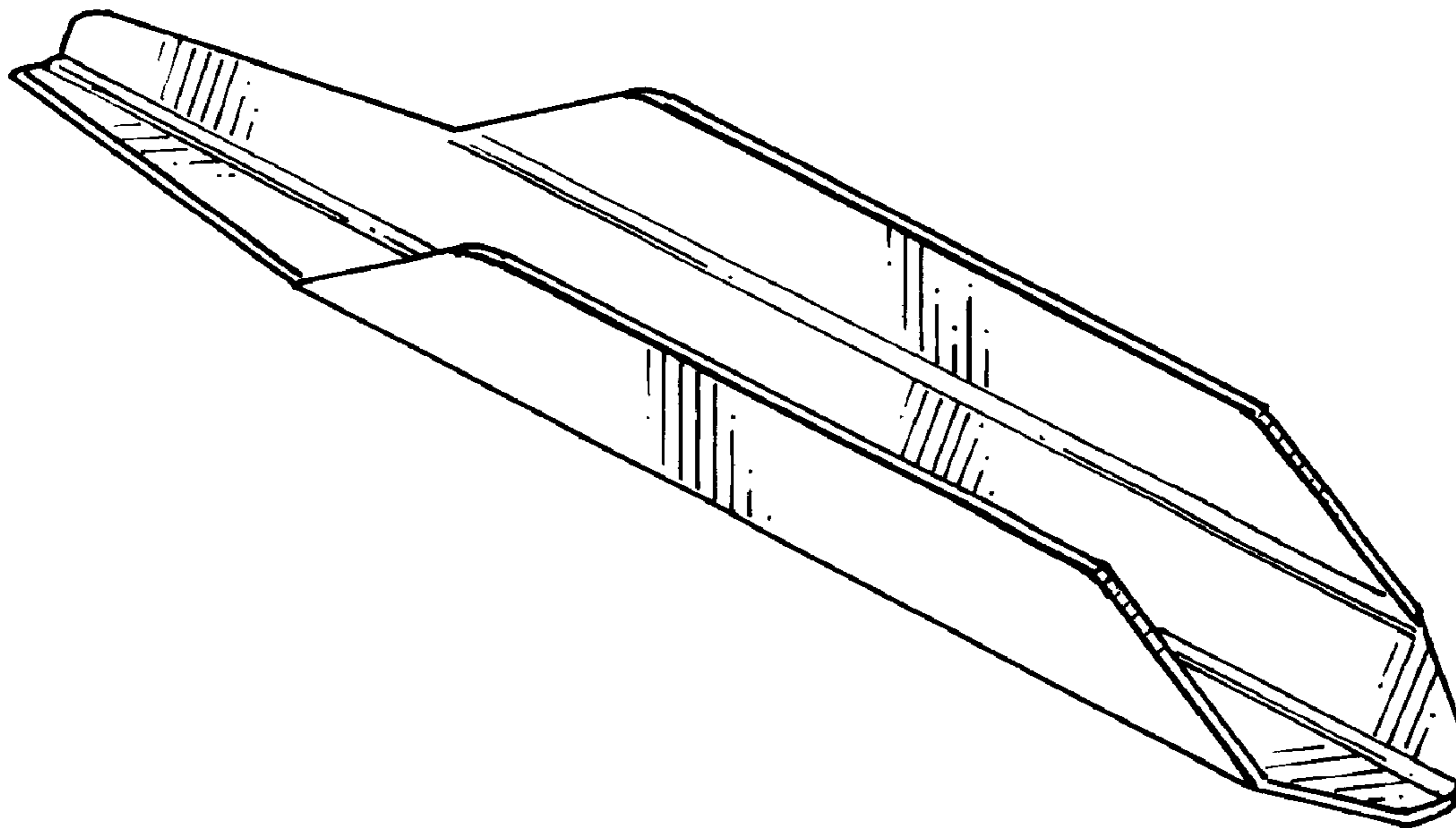


FIG. 1

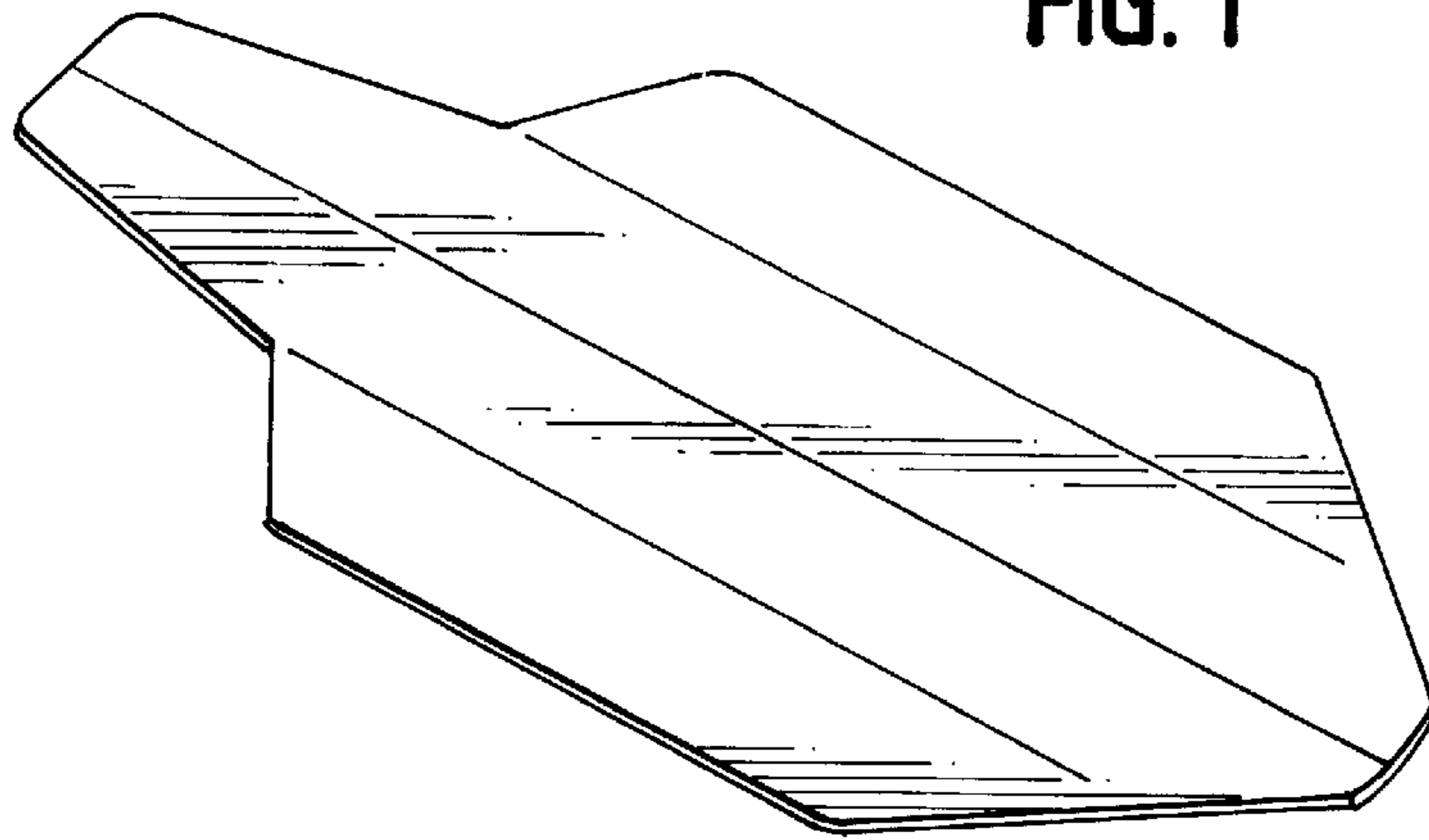


FIG. 2

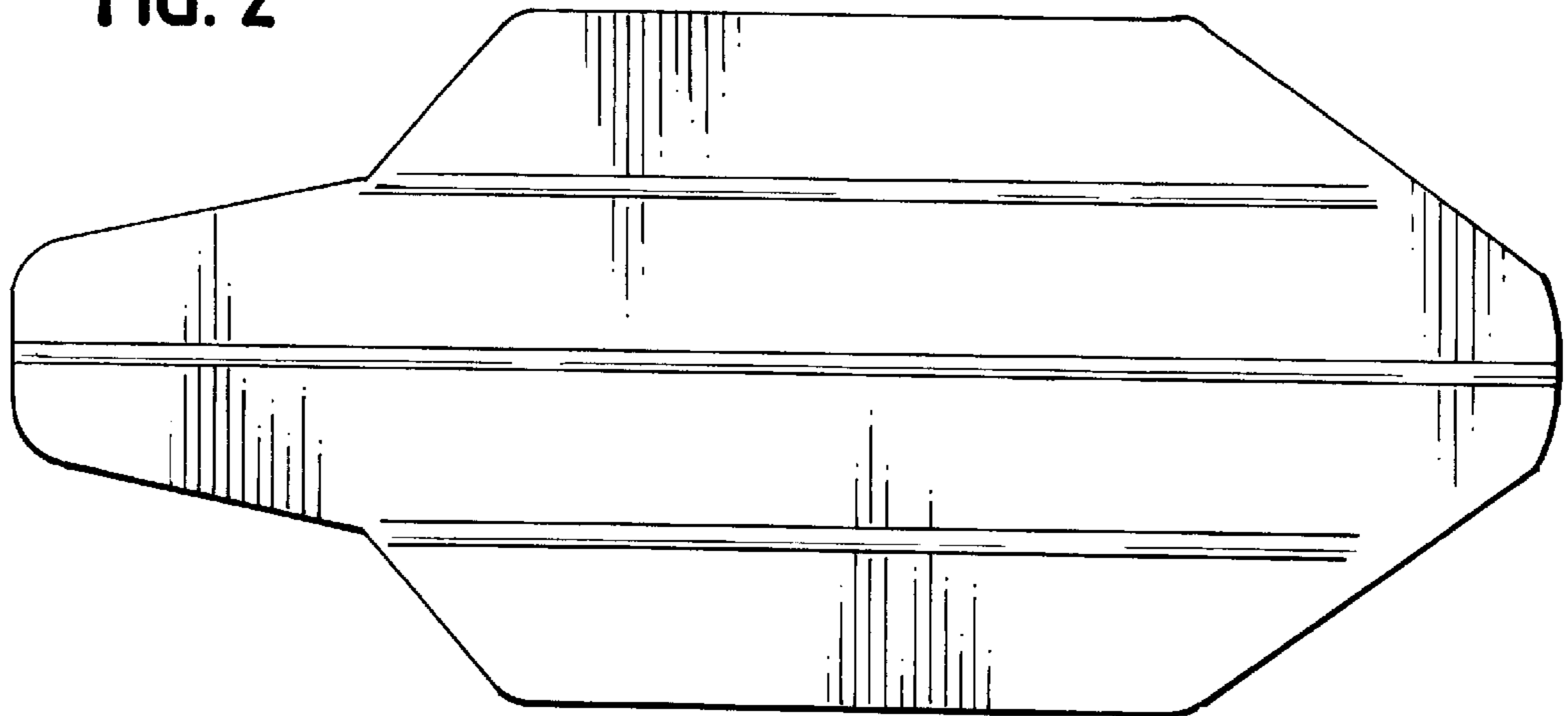


FIG. 3



FIG. 4



FIG. 5

