



US00D417041S

United States Patent [19] Rich

[11] **Patent Number: Des. 417,041**

[45] **Date of Patent: ** Nov. 23, 1999**

[54] **SIFTER**

[76] Inventor: **Daniel J. Rich**, 4701 Kilburn Pl.,
Woodbridge, Va. 22193

[**] Term: **14 Years**

[21] Appl. No.: **29/089,285**

[22] Filed: **Jun. 11, 1998**

[51] **LOC (6) Cl. 30-99**

[52] **U.S. Cl. D30/162**

[58] **Field of Search** D30/162; 294/1.3,
294/1.4, 55, 1.5, 50.8; D8/10; 209/419;
56/400.11; 15/236.01

[56] **References Cited**

U.S. PATENT DOCUMENTS

D. 259,293	5/1981	Cooper	D30/162
D. 304,245	10/1989	Ianni	D28/73
1,085,434	1/1914	Kerr	209/419
2,305,950	12/1942	Birch	294/55
2,618,501	11/1952	Tallant	294/55
3,627,368	12/1971	Baughman	294/55

3,810,670	5/1974	Turi	294/1.4
3,877,742	4/1975	Hatfield	294/55
4,126,346	11/1978	Burns	294/55
4,159,139	6/1979	Gawedzinski	294/55
4,988,005	1/1991	Graham	209/419
5,037,149	8/1991	Beck	294/1.3
5,536,055	7/1996	Kohn	294/1.3
5,706,546	1/1998	Utley	15/236.01

Primary Examiner—Cathy Anne MacCormac

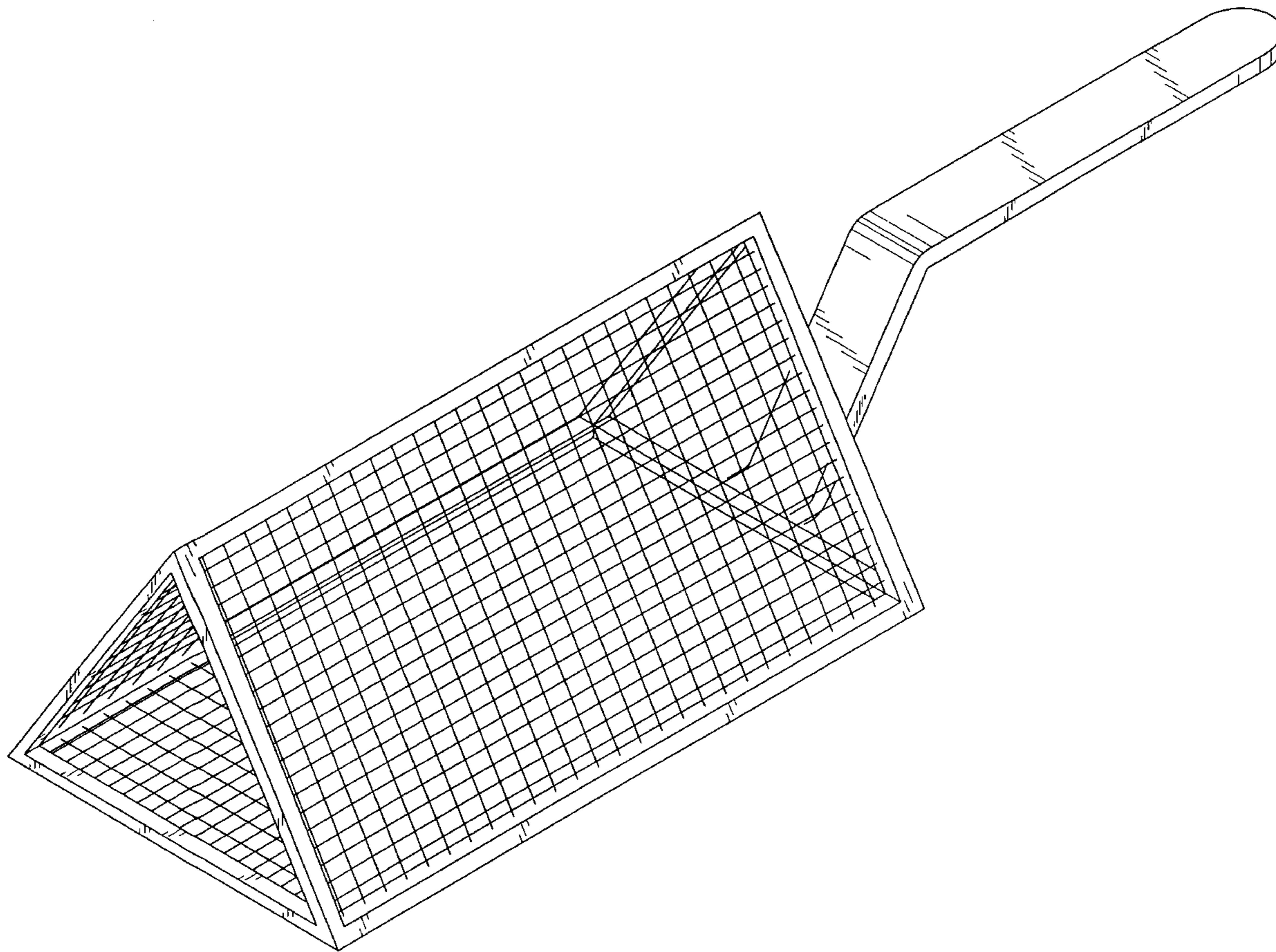
[57] **CLAIM**

The ornamental design for a sifter, as shown and described.

DESCRIPTION

FIG. 1 is a perspective view of a sifter showing my new design;
 FIG. 2 is a right side elevational view thereof, the opposite side being a mirror image;
 FIG. 3 is a front elevational view thereof;
 FIG. 4 is a rear elevational view thereof;
 FIG. 5 is a top plan view thereof; and,
 FIG. 6 is a bottom plan view thereof.
 Undisclosed surfaces are plain and unornamented.

1 Claim, 5 Drawing Sheets



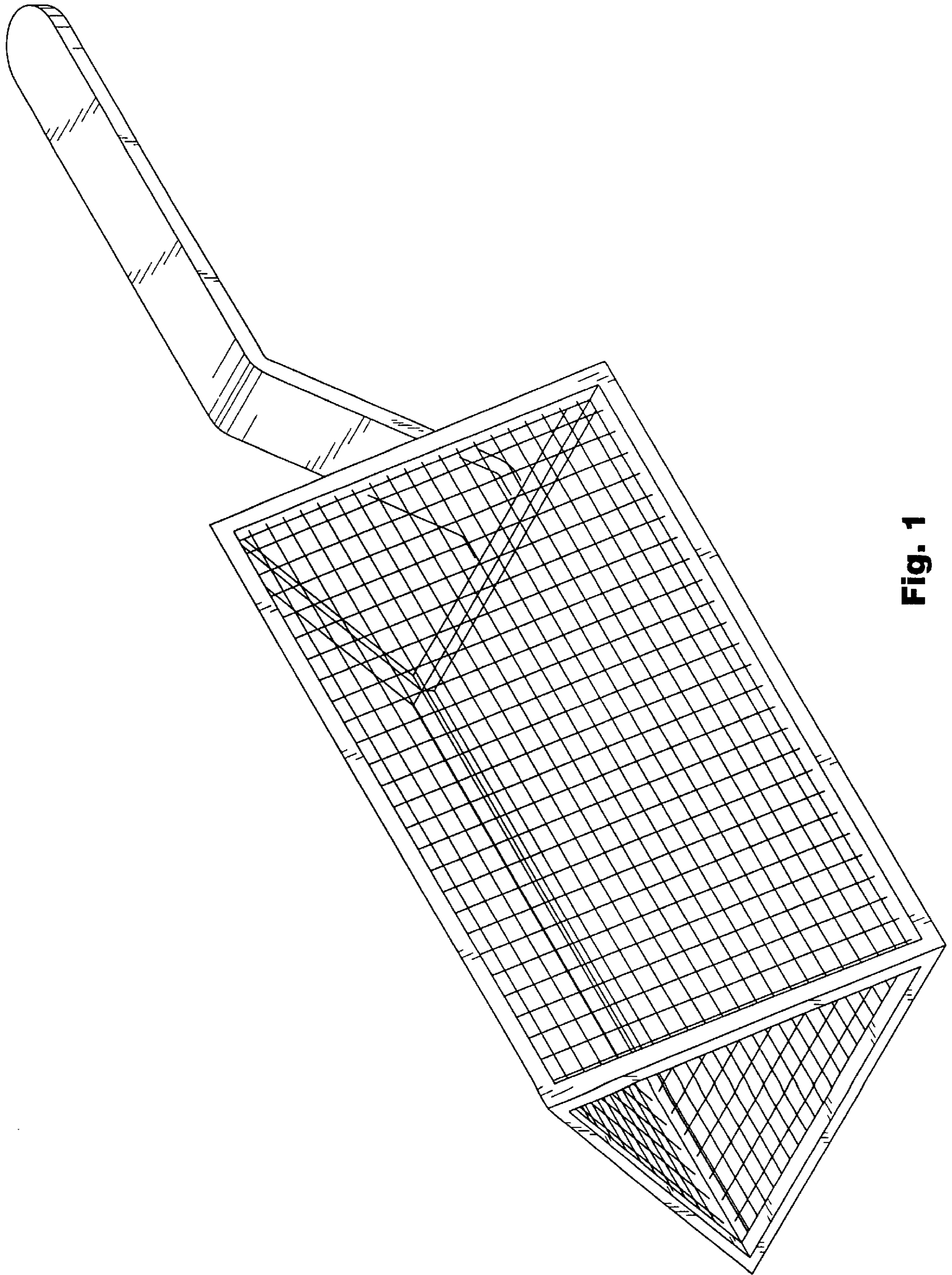


Fig. 1

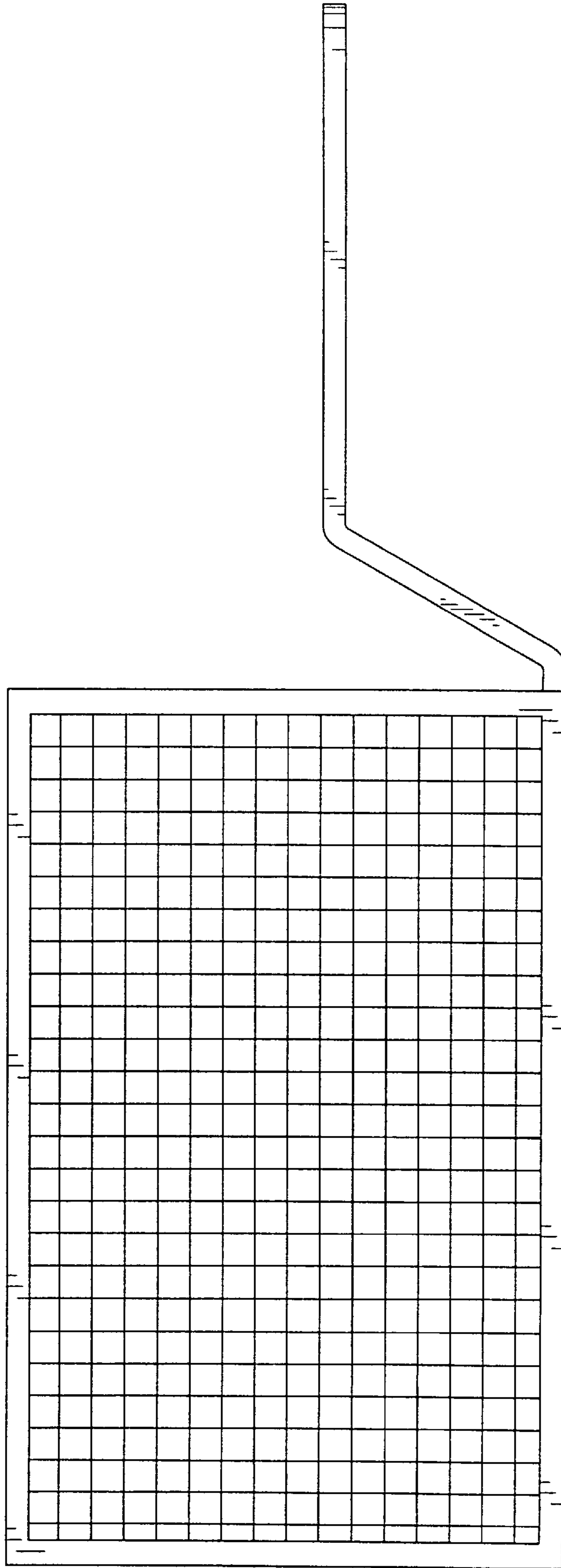


Fig. 2

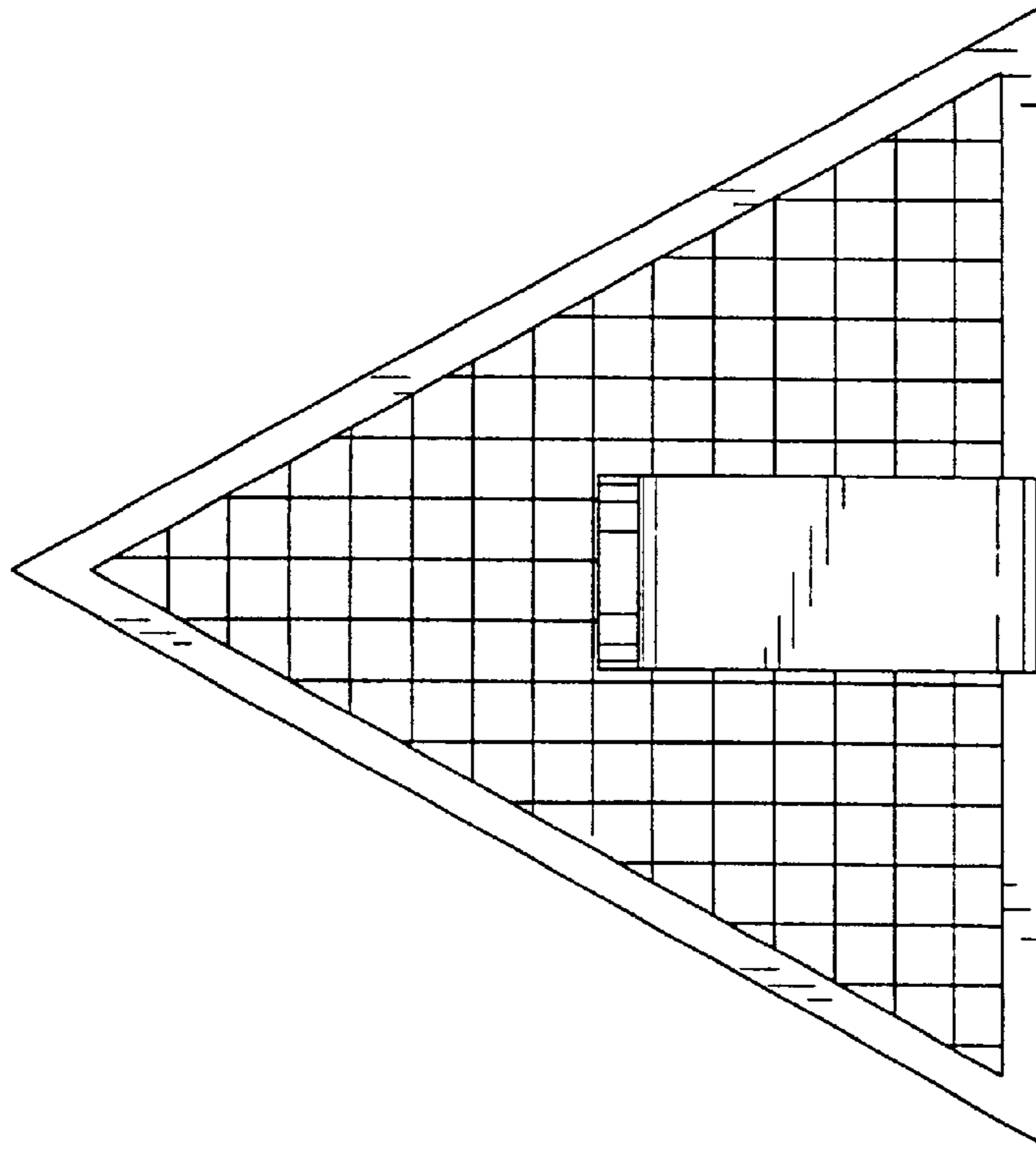


Fig. 4

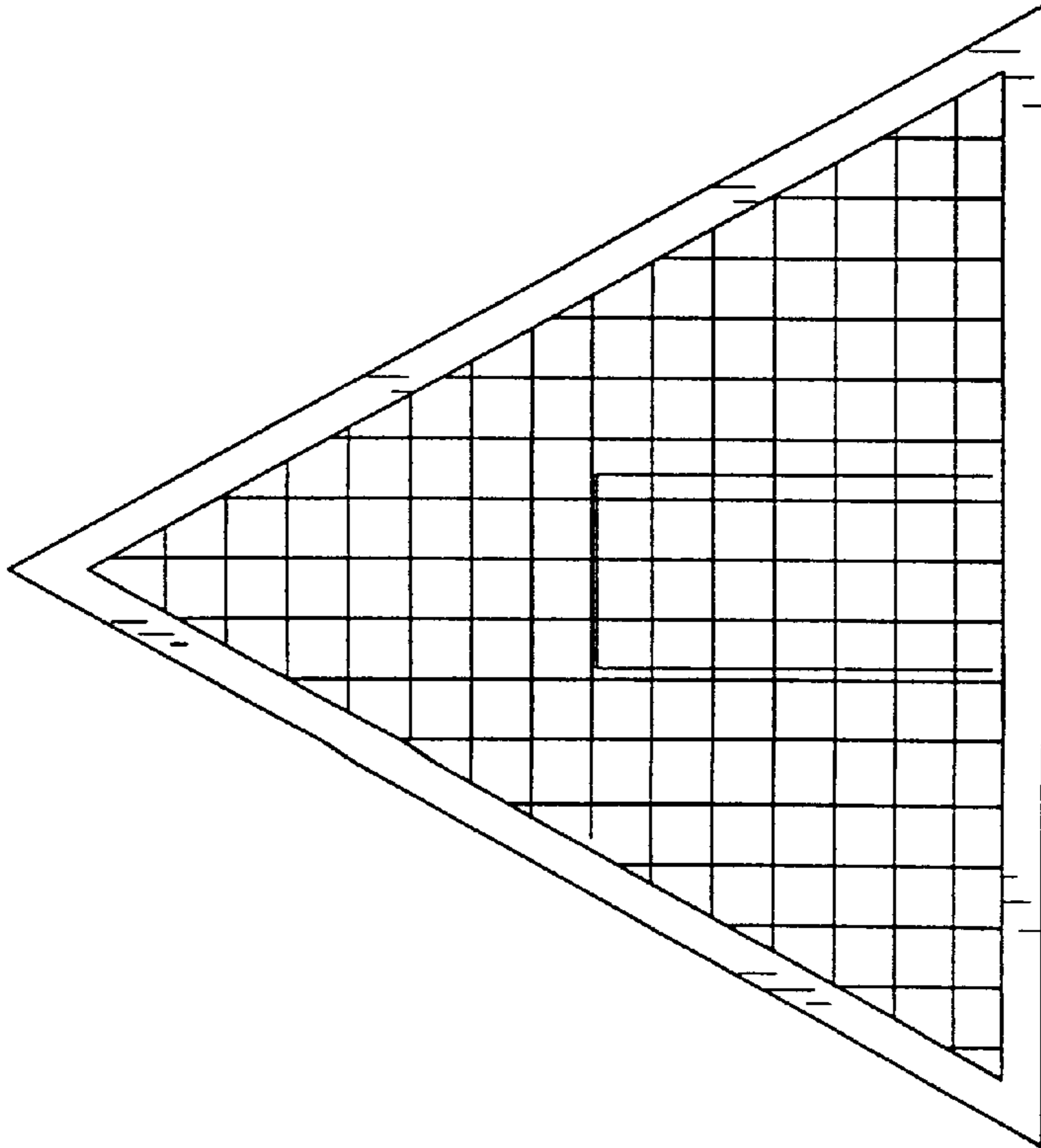


Fig. 3

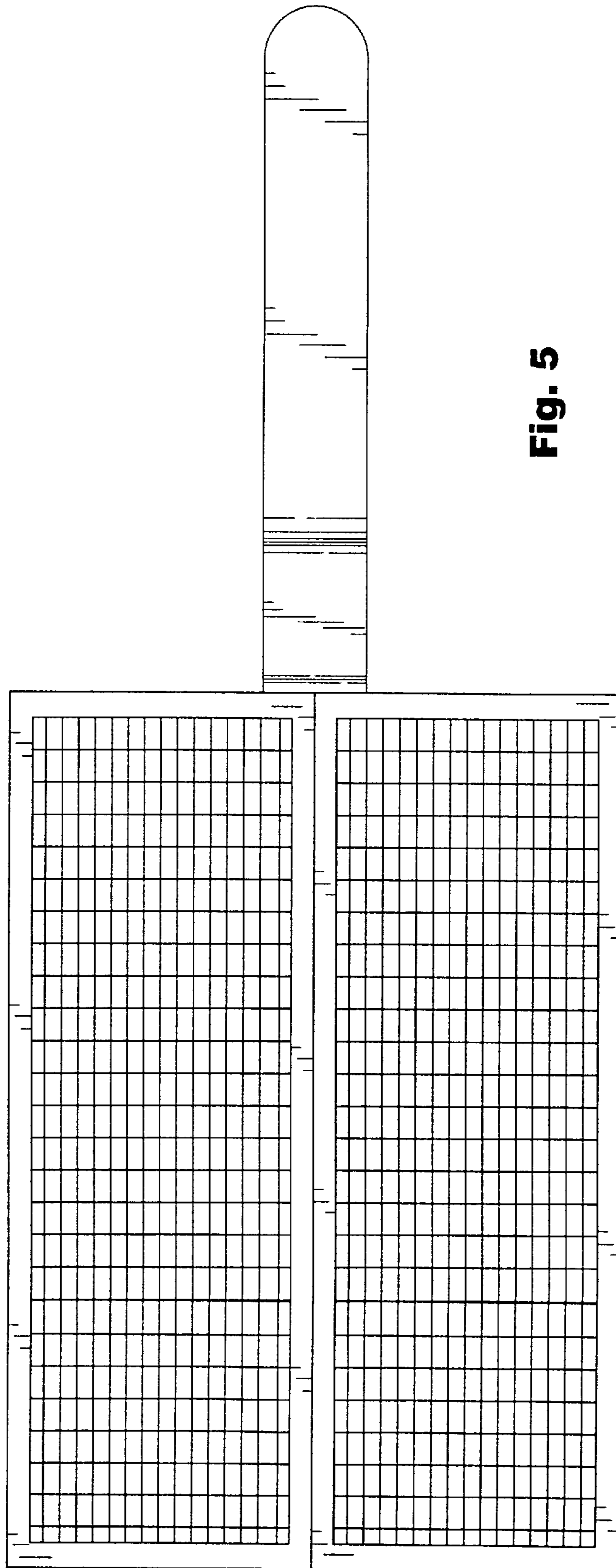


Fig. 5

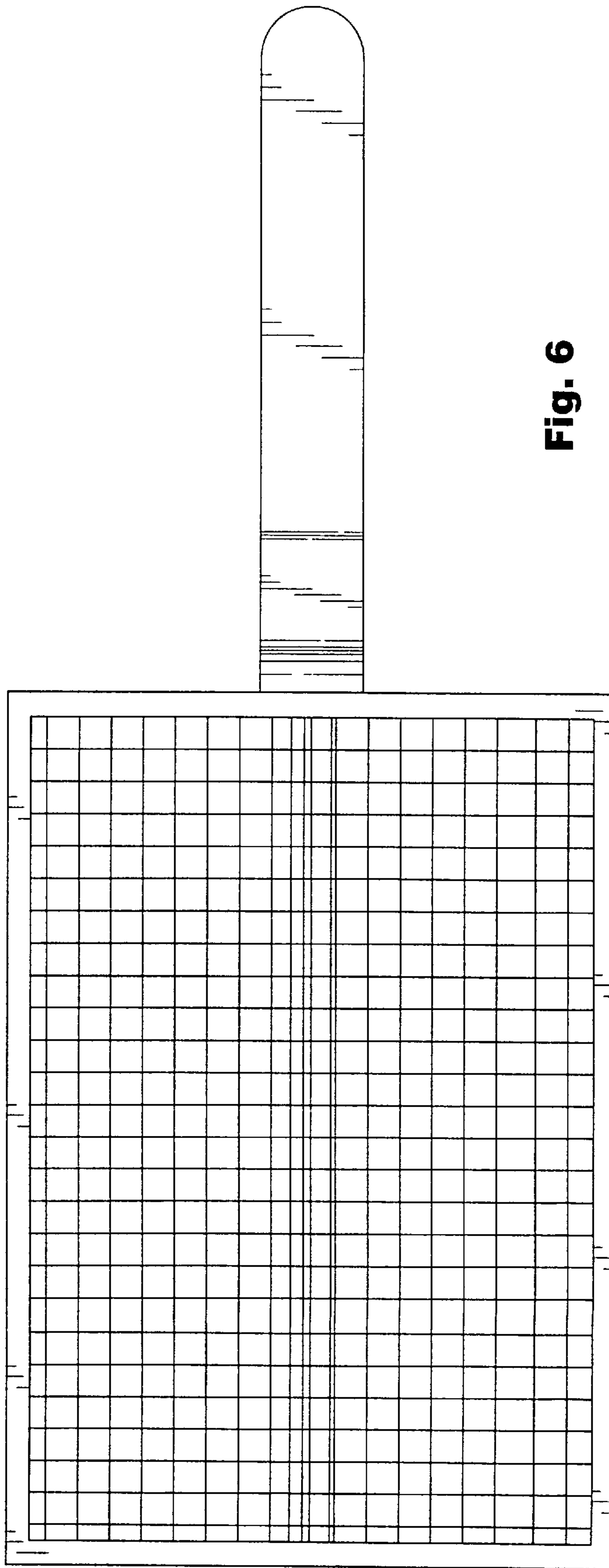


Fig. 6