



US00D417031S

United States Patent [19]

[11] **Patent Number: Des. 417,031**

Joyner et al.

[45] **Date of Patent: ** *Nov. 23, 1999**

[54] **PROTECTIVE GRILL FOR WORK LIGHT FIXTURE**

5,243,507 9/1993 Atkins et al. 362/376
5,455,756 10/1995 Sumer et al. 362/376

[75] Inventors: **Donald W. Joyner**, Greensboro, N.C.;
Pei Sheng Qian, Shanghai, China

FOREIGN PATENT DOCUMENTS

1525219 4/1968 France 362/376

[73] Assignee: **Regent Lighting Corporation**,
Burlington, N.C.

Primary Examiner—Susan J. Lucas
Attorney, Agent, or Firm—Niro, Scavone Haller & Niro

[*] Notice: This patent is subject to a terminal disclaimer.

[57] CLAIM

[**] Term: **14 Years**

The ornamental design for a “protective grill for work light fixture” as shown and described.

[21] Appl. No.: **29/065,614**

DESCRIPTION

[22] Filed: **Jan. 30, 1997**

FIG. 1 is perspective view of the protective grill for work light fixture of the invention;

[51] **LOC (6) Cl.** **26-05**

FIG. 2 is a top plan view of the protective grill for work light fixture, the bottom plan view being a mirror image thereof;

[52] **U.S. Cl.** **D26/119**

FIG. 3 is a front elevation view of the protective grill for work light fixture;

[58] **Field of Search** D26/63, 65, 119;
362/376, 377, 378, 267, 275, 287, 418,
419, 427

FIG. 4 is a back elevation view thereof; and,
FIG. 5 is a right elevation view thereof, the left elevation view being a mirror image thereof.

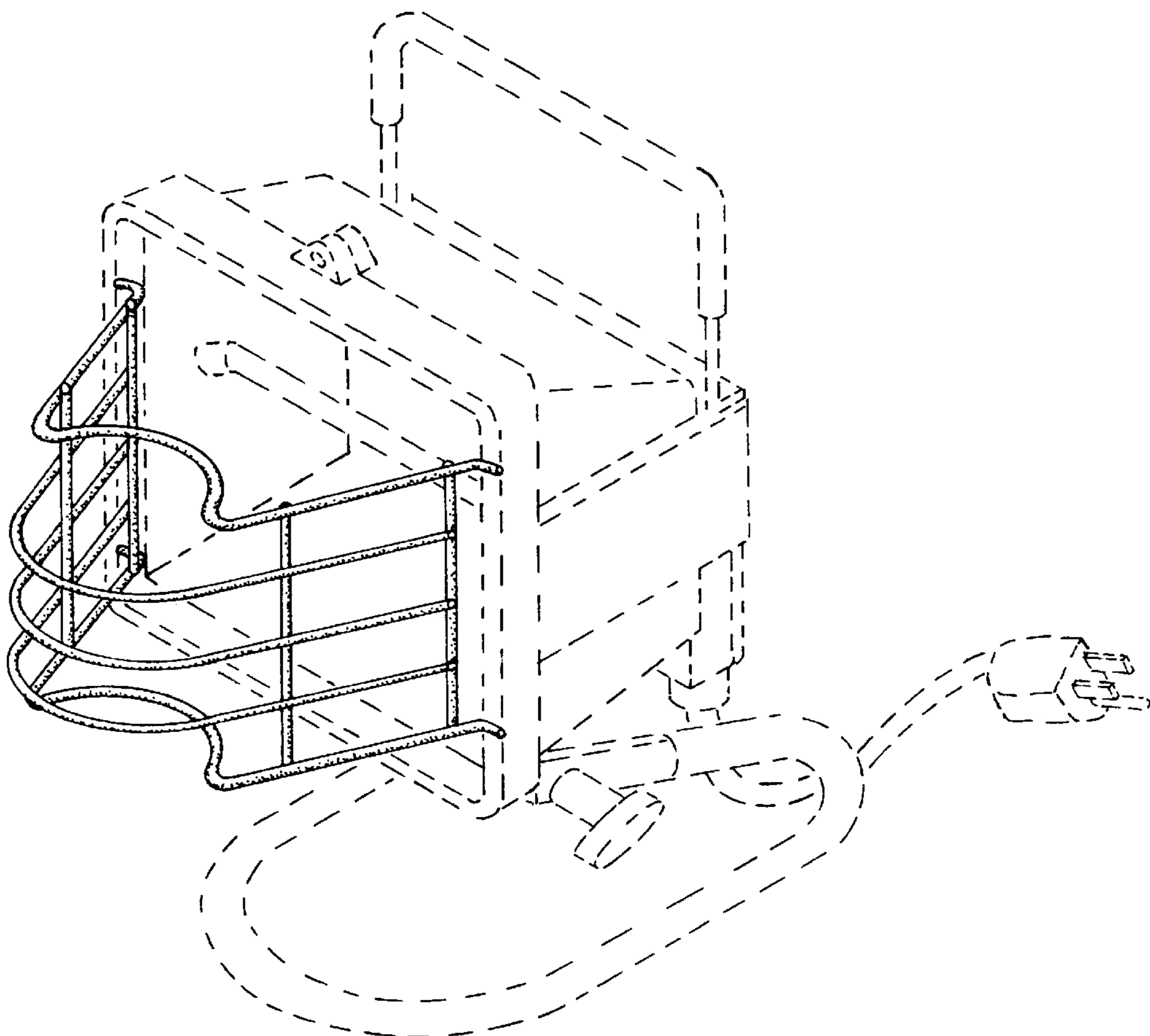
[56] References Cited

The broken lines are shown for illustrative purposes only and form no part of the claimed design.

U.S. PATENT DOCUMENTS

D. 365,408 12/1995 Lui D26/63
D. 375,377 11/1996 Leen D26/63

1 Claim, 3 Drawing Sheets



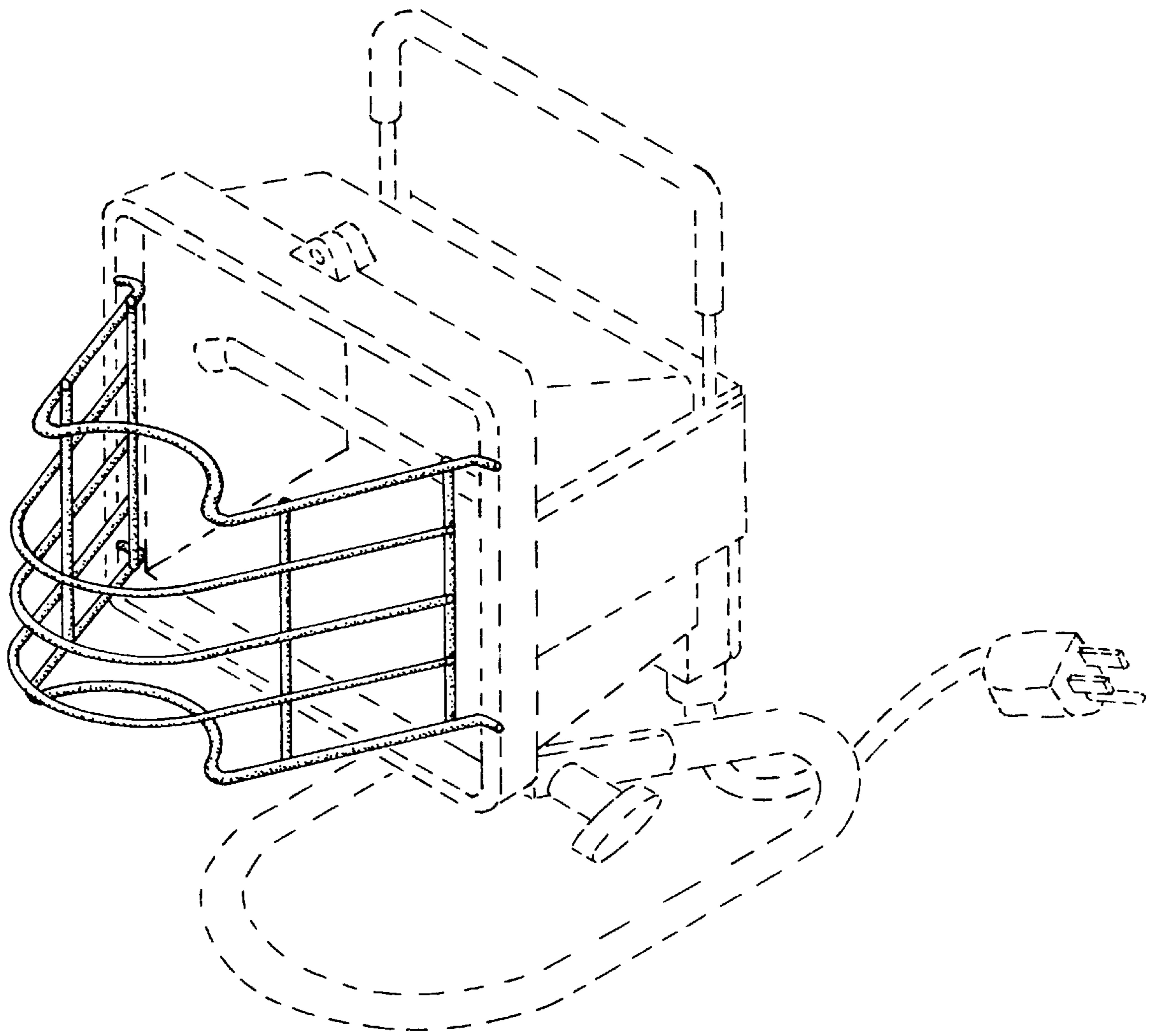


FIG. 1

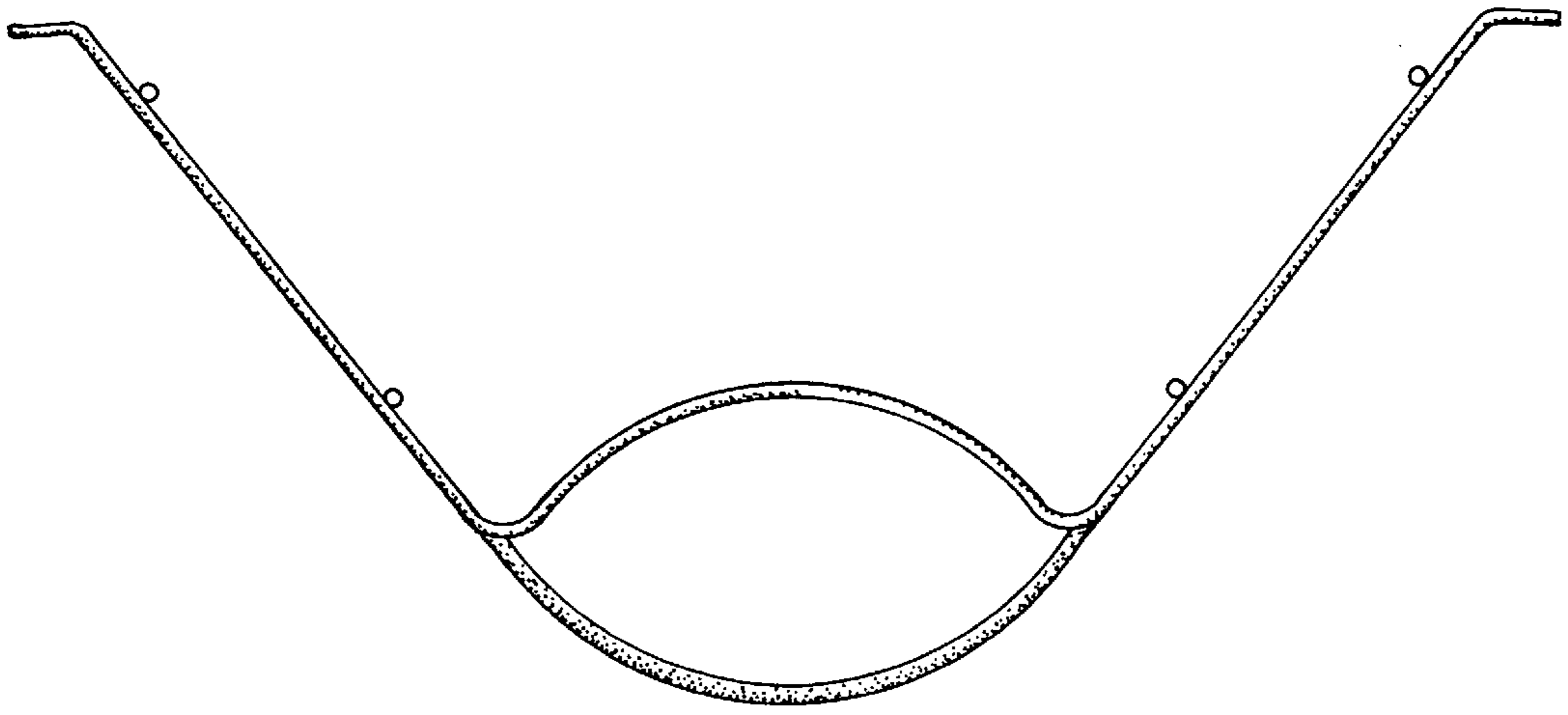


FIG. 2

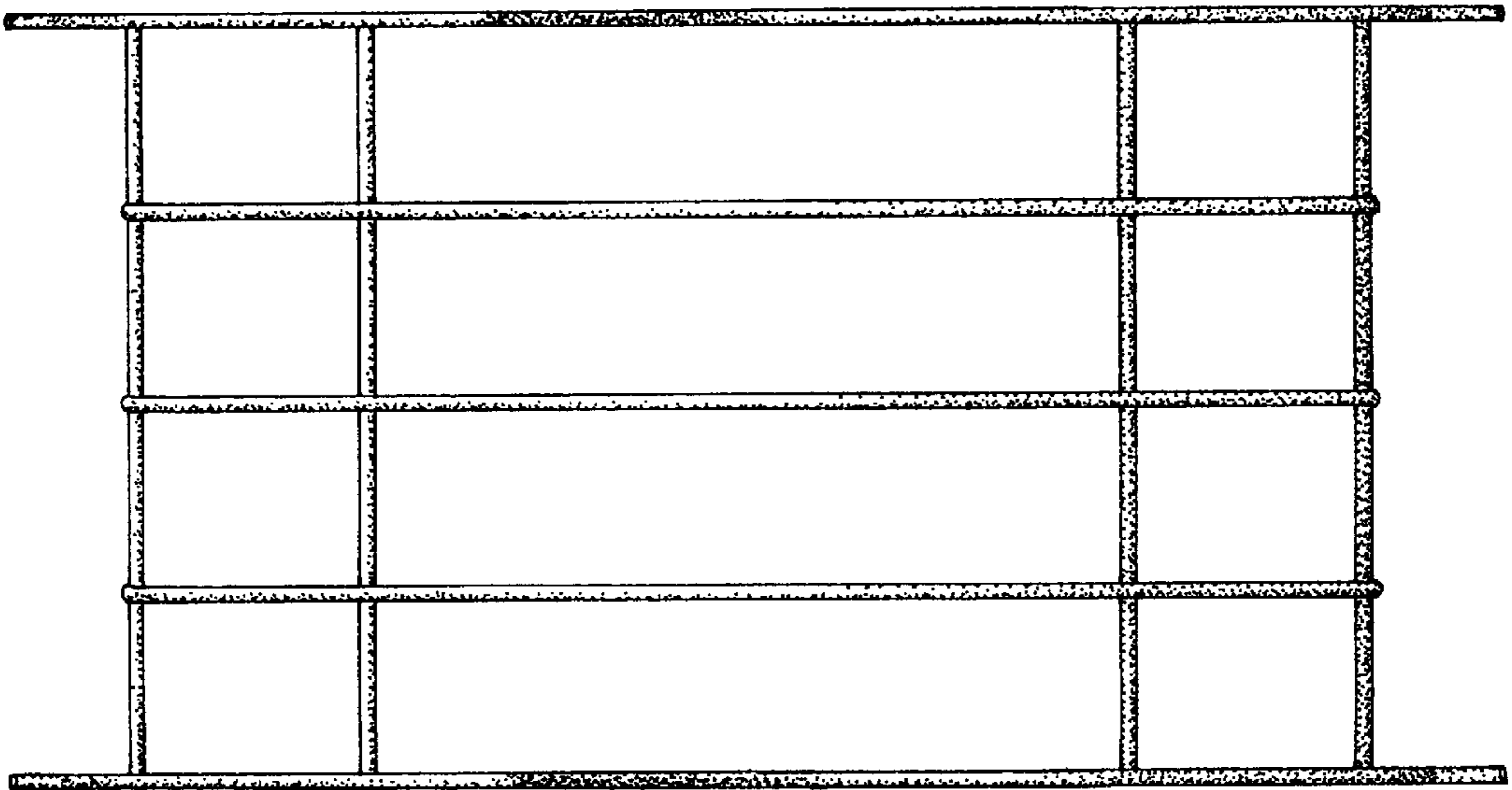


FIG. 3

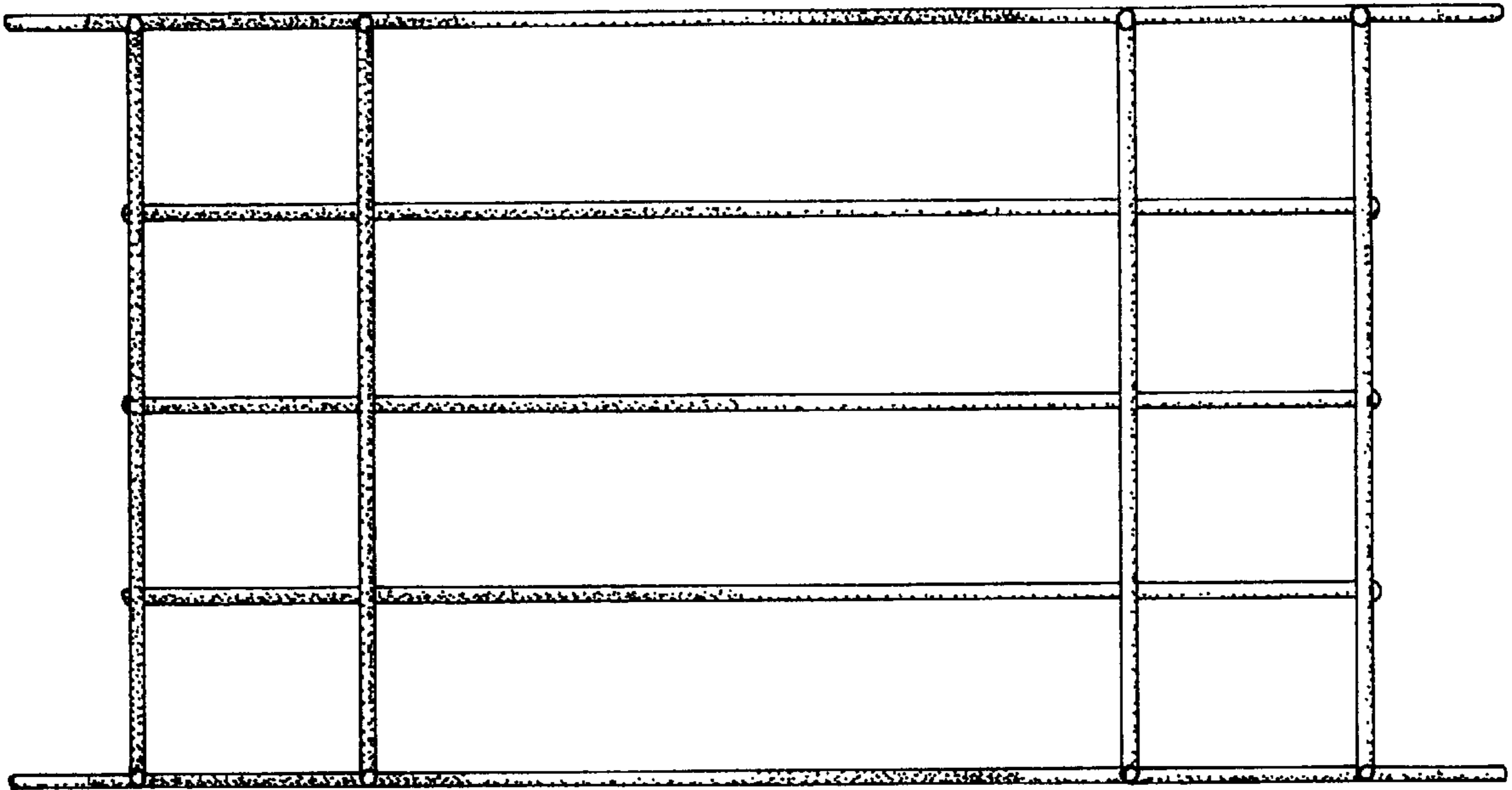


FIG. 4

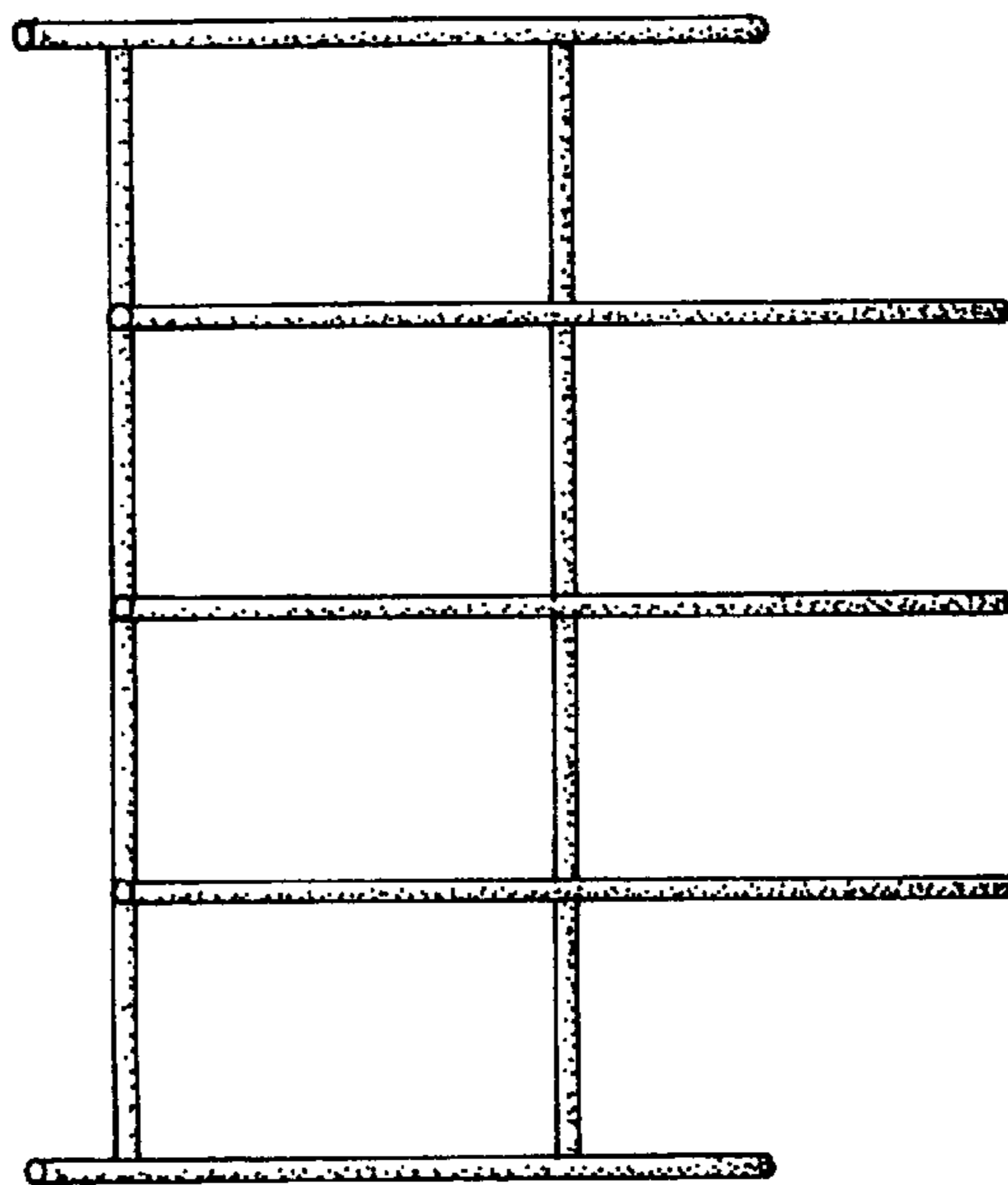


FIG. 5