



US00D417030S

United States Patent [19]

[11] **Patent Number: Des. 417,030**

Herst et al.

[45] **Date of Patent: ** Nov. 23, 1999**

[54] SECTION OF LINEAR LUMINAIRE HOUSING

[75] Inventors: **Douglas J. Herst, Ross; Utkan Salman**, Oakland, both of Calif.

[73] Assignee: **NSI Enterprises, Inc.**, Atlanta, Ga.

[**] Term: **14 Years**

[21] Appl. No.: **29/089,990**

[22] Filed: **Jun. 25, 1998**

[51] **LOC (6) Cl.** **26-05**

[52] **U.S. Cl.** **D26/118; D26/77**

[58] **Field of Search** **D26/72, 75, 76, D26/77, 78, 81, 87, 118; 362/147, 404, 406, 217, 222, 223, 224, 225, 249, 252, 246, 245, 297**

[56] References Cited

U.S. PATENT DOCUMENTS

D. 191,679	10/1961	Wakefield	D26/76
D. 202,371	9/1965	Wince et al.	.	
D. 365,649	12/1995	Herst et al.	D26/77
D. 397,480	8/1998	Herst et al.	D26/77
D. 399,588	10/1998	St. Ives	D26/76
D. 404,160	1/1999	Herst et al.	D26/76
D. 404,513	1/1999	Herst et al.	D26/77
2,899,541	8/1959	De Mauro	.	
3,159,352	12/1964	Wakefield et al.	362/222
3,275,822	9/1966	Wince et al.	.	

OTHER PUBLICATIONS

“Envison, Rounded V Indirect 8½×4”, Peerless Lighting Corporation brochure, 1995.

U.S. application No. 29/078,695, Herst et al., filed Oct. 1997.

U.S. application No. 29/078,689, Herst et al., filed Oct. 1997.

U.S. application No. 29/073,568, Herst et al., filed Jul. 1997. Architectural Record, p. 203. 1962 (Sylvania “Stylus” lighting fixture).

“Envison” Product Brochure, Peerless Lighting Corporation, 1994.

Primary Examiner—Susan J. Lucas

Attorney, Agent, or Firm—Donald L. Beeson

[57] CLAIM

The ornamental design for a section of linear luminaire housing, as shown and described.

DESCRIPTION

FIG. 1 is a broken away bottom perspective view of a section of linear luminaire housing in accordance with our new design;

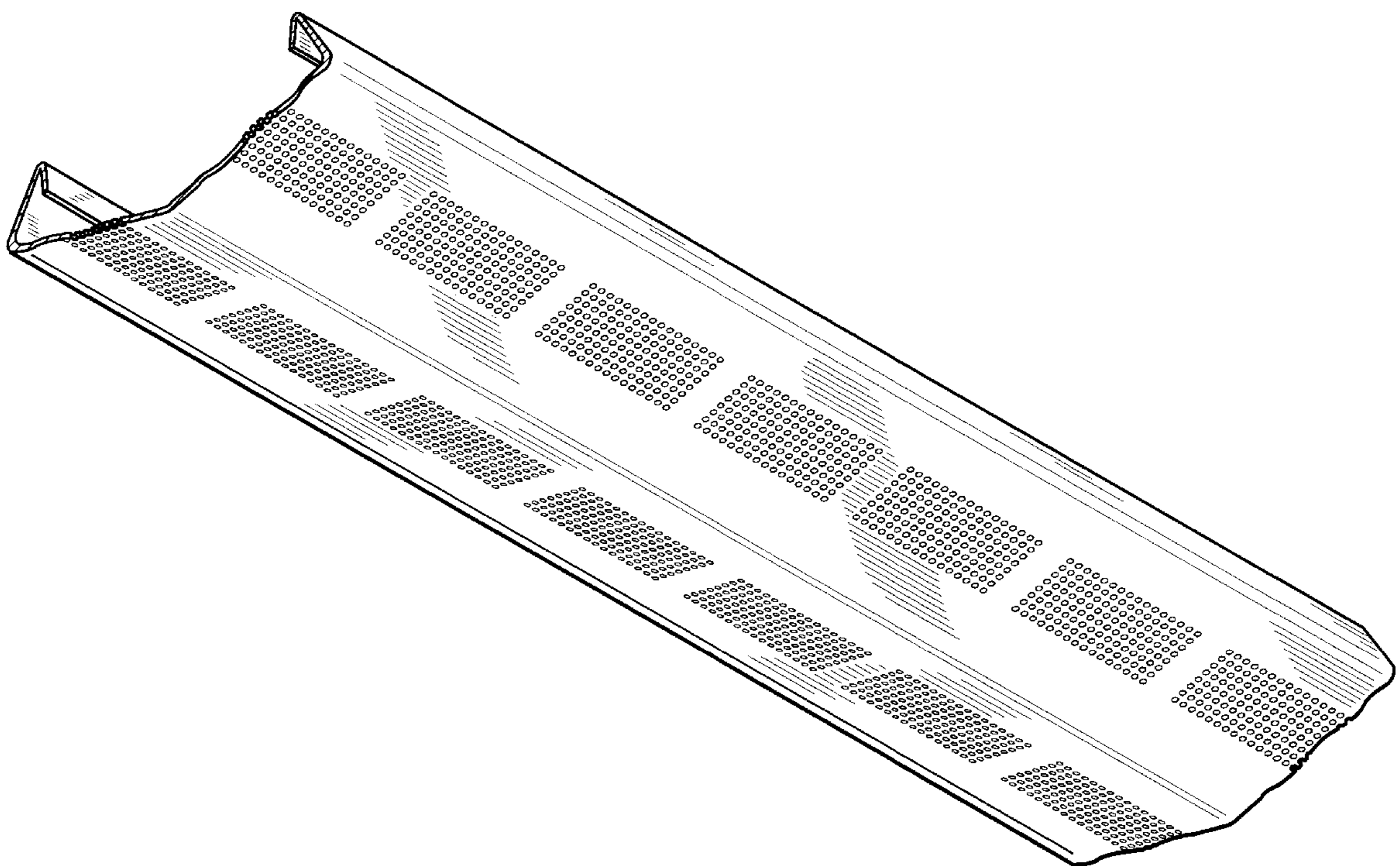
FIG. 2 is a broken away bottom plan view thereof;

FIG. 3 is a broken away left side elevational view thereof, the right side elevation being a mirror image; and,

FIG. 4 is a cross-sectional view thereof showing the uniform cross-sectional shape of the section of the housing illustrated FIGS. 1–3.

FIGS. 1–3 are broken away to indicate indeterminate length.

1 Claim, 2 Drawing Sheets



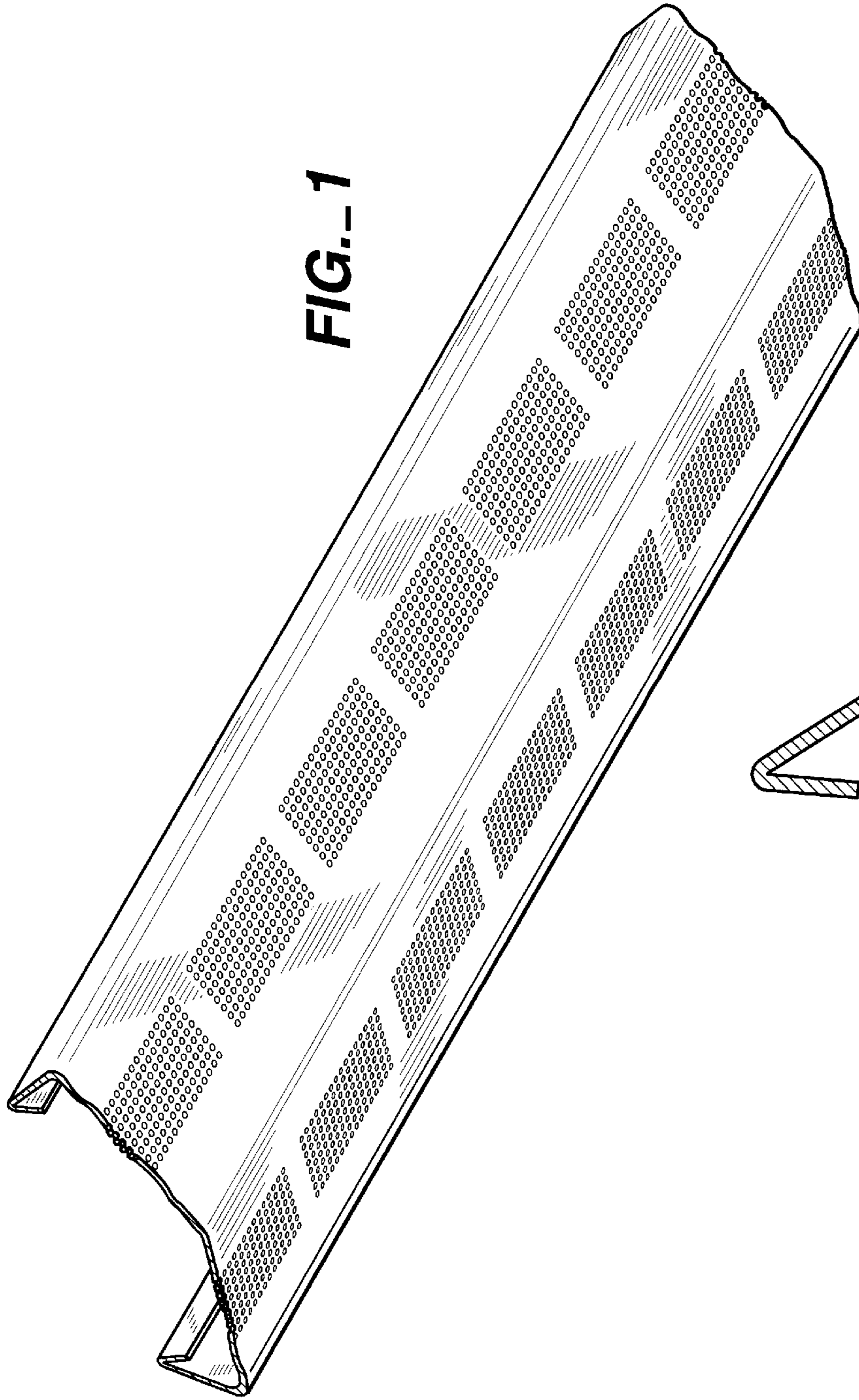


FIG. 1

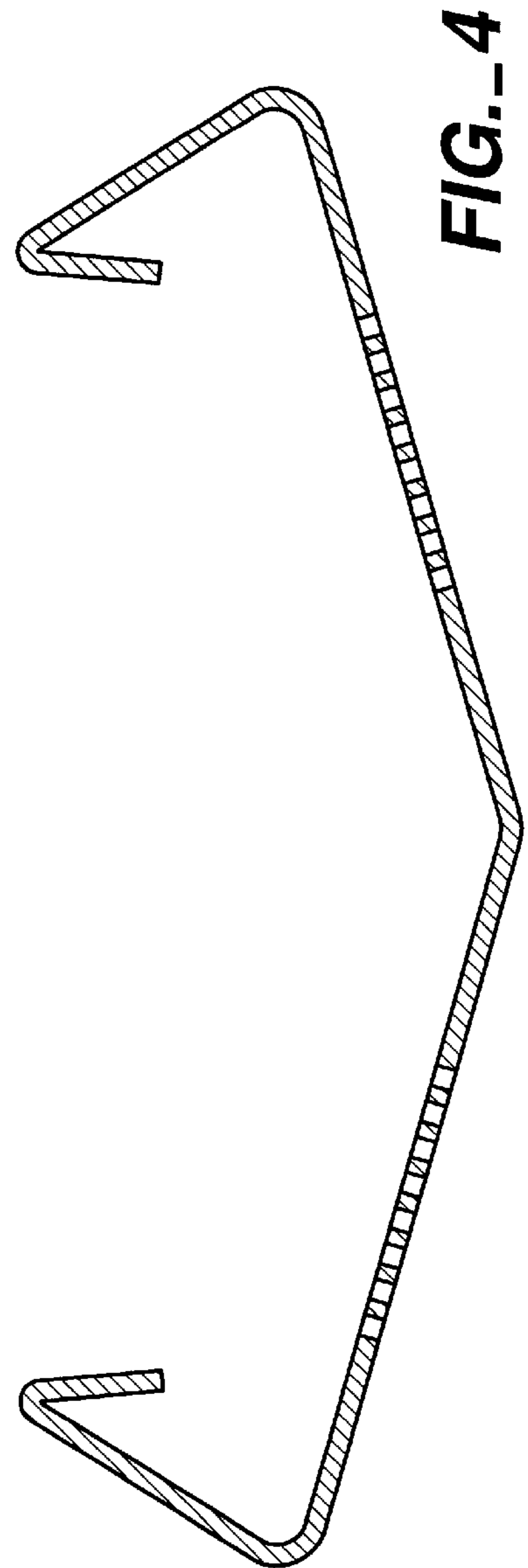


FIG. 4

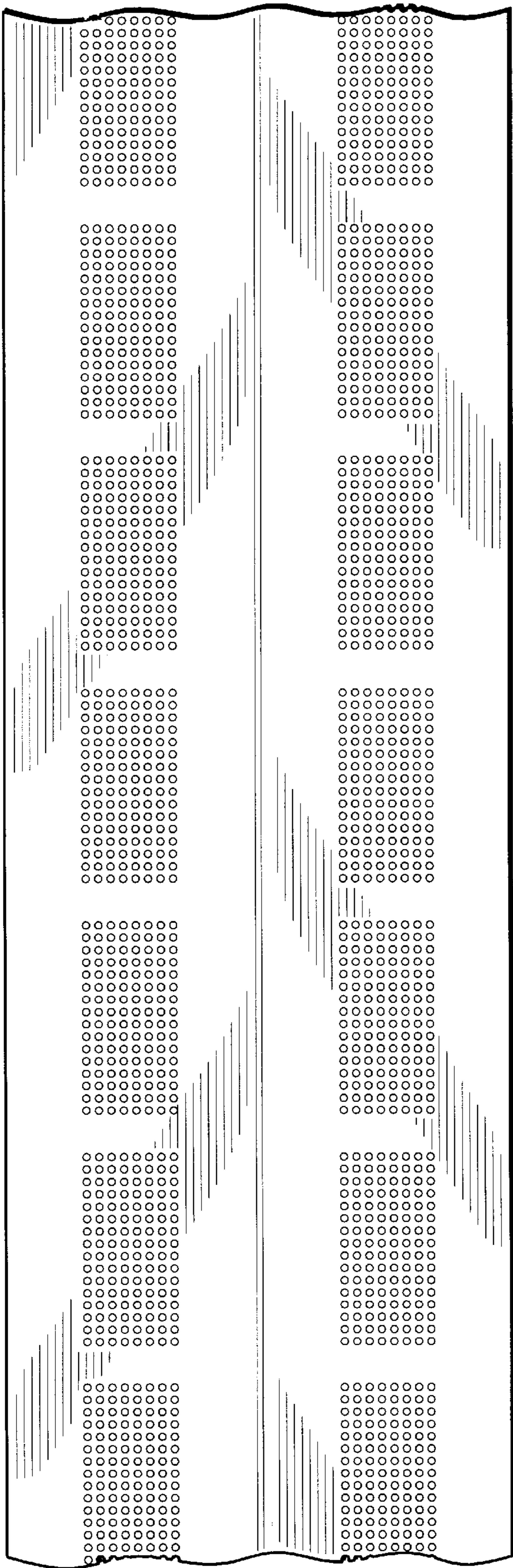


FIG.-2

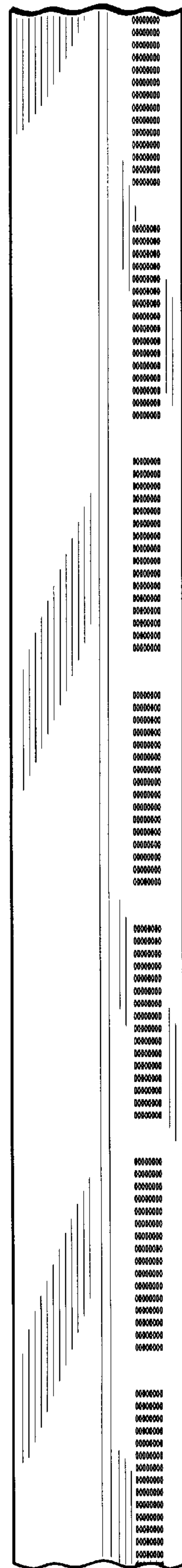


FIG.-3