



US00D417028S

**United States Patent** [19]  
**Dolan**

[11] **Patent Number: Des. 417,028**

[45] **Date of Patent: \*\* Nov. 23, 1999**

[54] **CHANDELIER**

[76] Inventor: **Patrick S. Dolan**, 1901 NW. Upshur,  
Portland, Oreg. 97209

[\*\*] Term: **14 Years**

[21] Appl. No.: **29/090,128**

[22] Filed: **Jun. 29, 1998**

[51] **LOC (6) Cl.** ..... **26-05**

[52] **U.S. Cl.** ..... **D26/86**

[58] **Field of Search** ..... D26/72, 73, 80-92,  
D26/142, 143, 144, 149, 152, 155, 156,  
128, 135, 136; 362/147, 404-408, 432,  
806

[56] **References Cited**

**U.S. PATENT DOCUMENTS**

D. 366,535 1/1996 Dolan ..... D26/86  
D. 393,919 4/1998 Dolan ..... D26/136

**OTHER PUBLICATIONS**

Kalco lighting catalog, p. 13, ceiling lamp, 1992.  
Dolan lighting catalog, p. 24, ceiling lamp, 1994.  
Hilite Mfg Co. 13450 Monte Vista Ave Chino, CA 91710  
Catalog 1994 p. 28, Model H5224.

Progress Lighting 101 Corporate Drive Suite L Spartanburg,  
SC 29304 Catalog 1996-1997 p. 46, Model P4014-68.

Rejuvenation Lamp & Fixture Co. 1100 SE Grand Ave  
Portland, OR 97214 Catalog 1995-10th Edition Model No.  
C989-4 p. 11 'Irvington'.

Thomas Lighting 950 Breckinridge Lane Louisville, KY  
40207 Catalog 1996 p. 88, Model SL 8064-1.

Quoizel 6 Corporate Parkway Goose Creek, SC 29445  
Catalog 1997 Model No. AE519 p. 21.

*Primary Examiner*—Susan J. Lucas

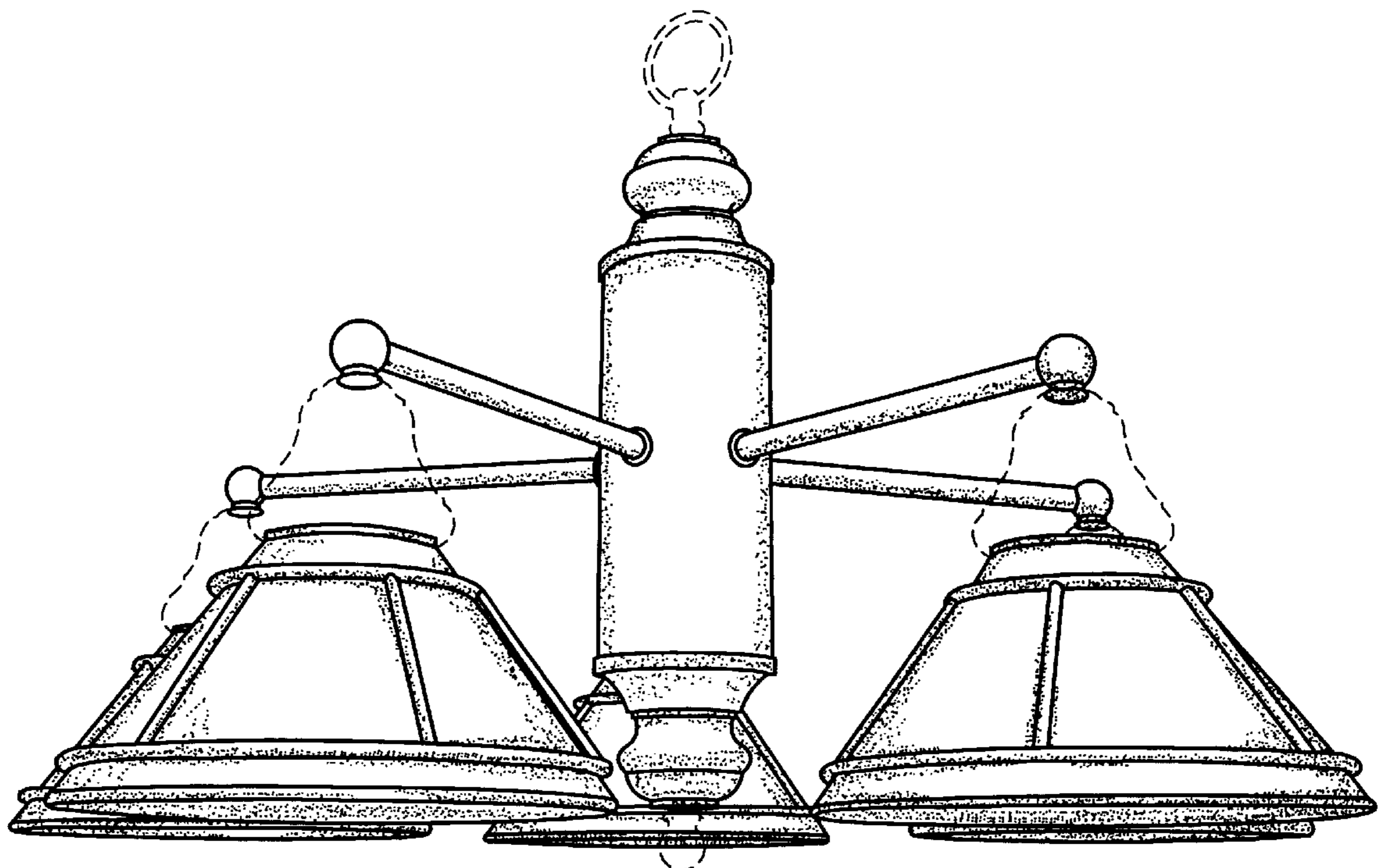
[57] **CLAIM**

The ornamental design for a chandelier, as shown and  
described.

**DESCRIPTION**

FIG. 1 is a perspective view thereof;  
FIG. 2 is an elevational view thereof, all sides being iden-  
tical;  
FIG. 3 is a top plan view thereof; and,  
FIG. 4 is a bottom plan view thereof.  
The broken lines are for shown for illustrative purposes only  
and form no part of claimed design.

**1 Claim, 4 Drawing Sheets**



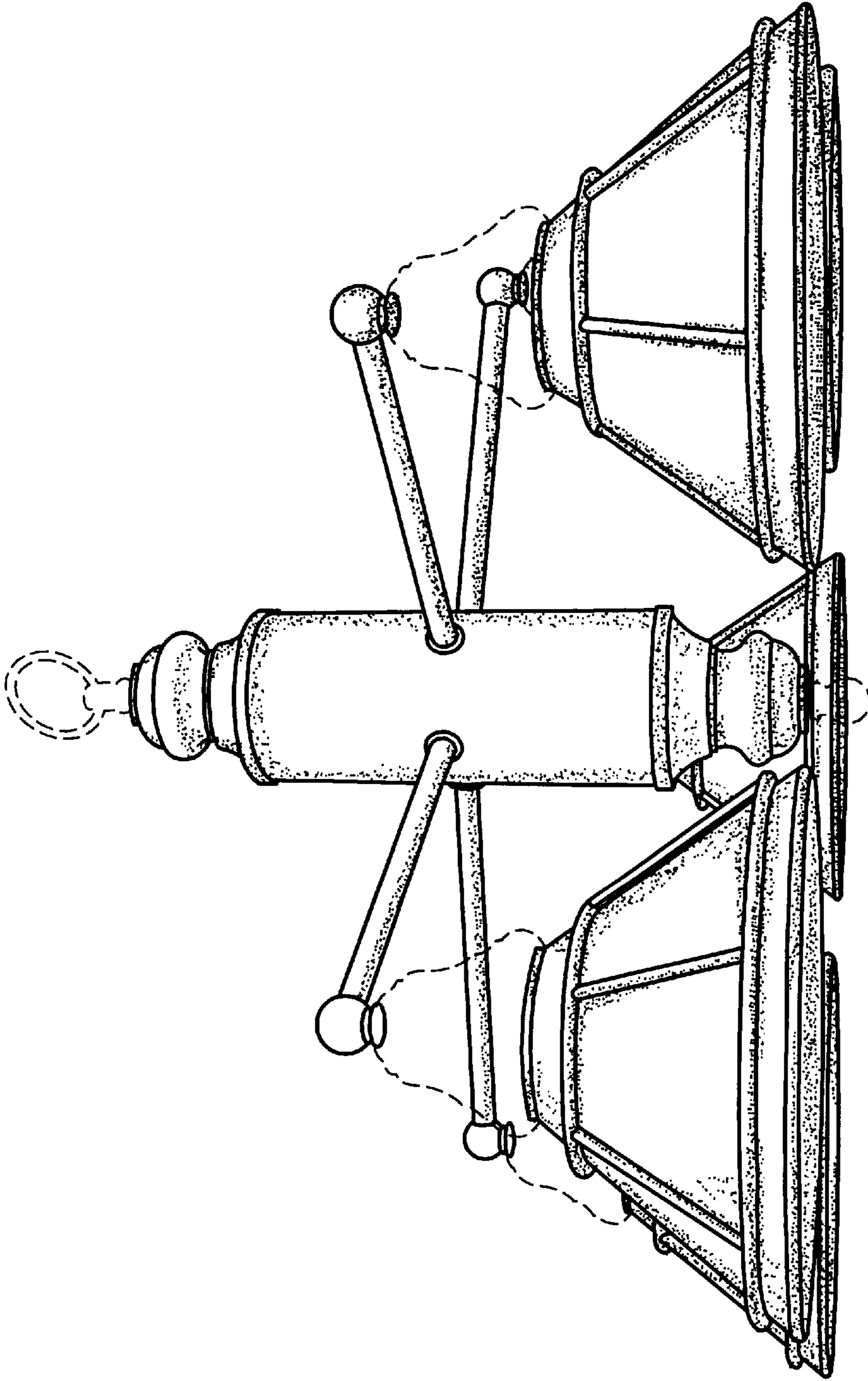


FIG. 1

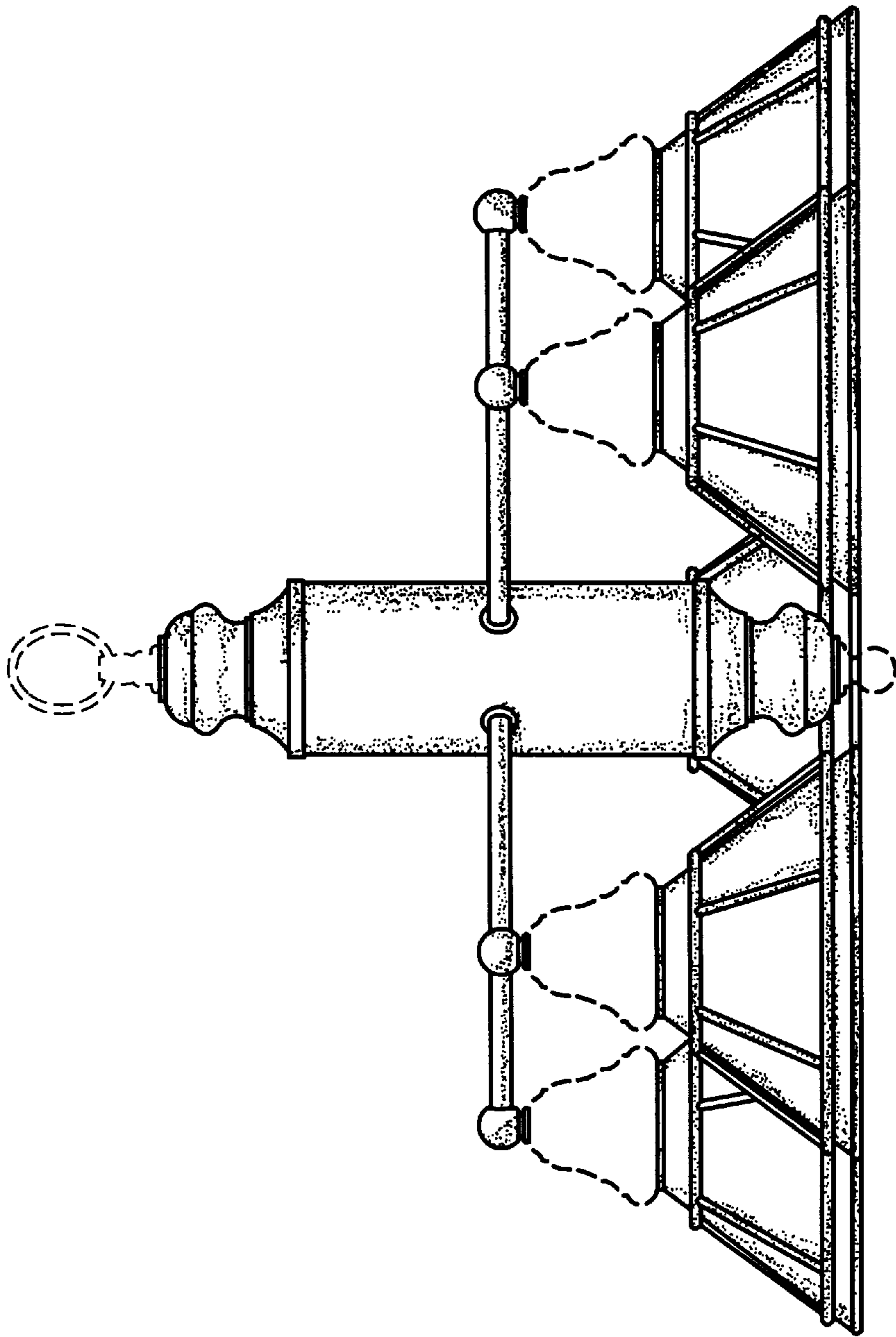


FIG. 2



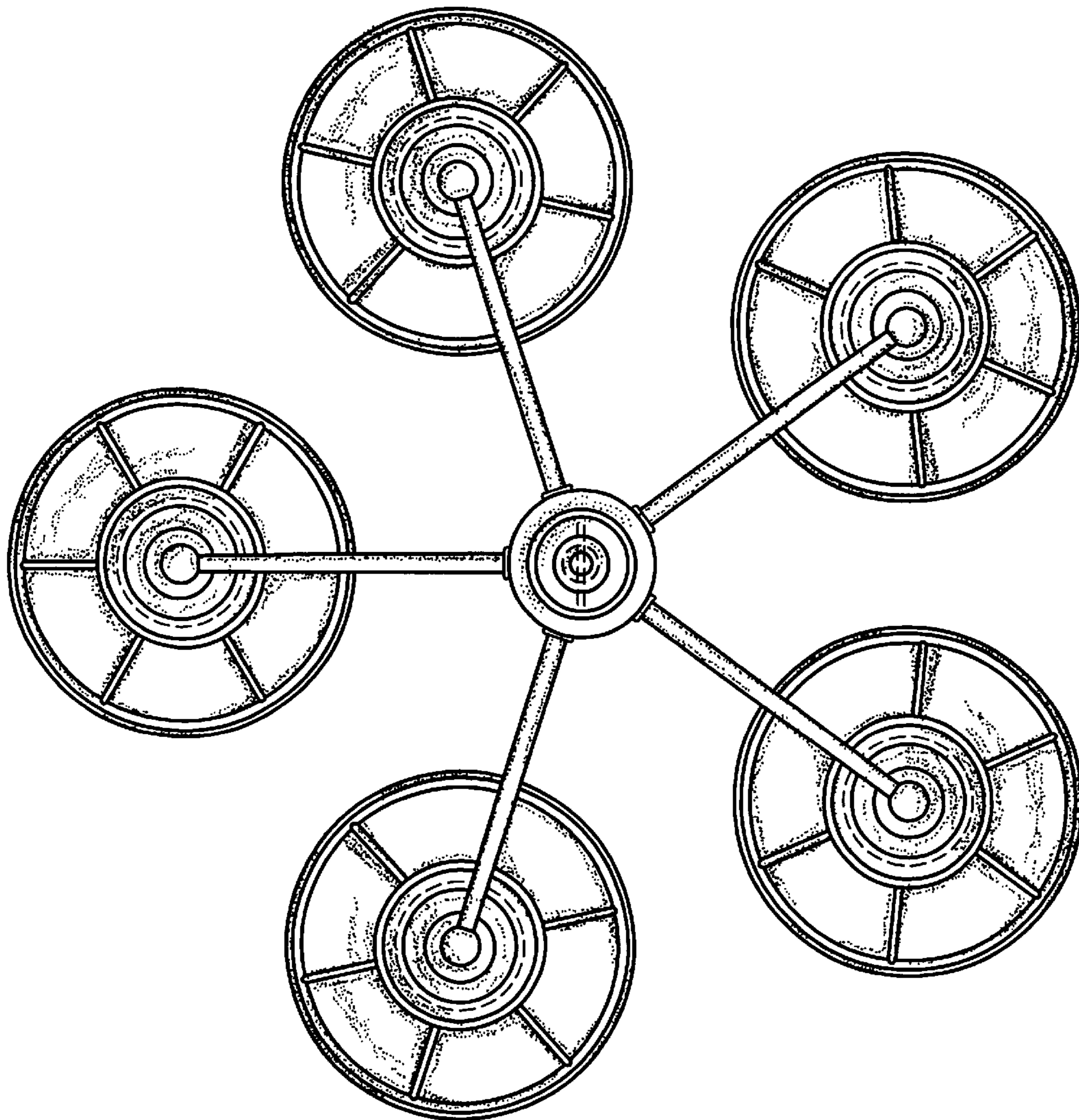


FIG. 3

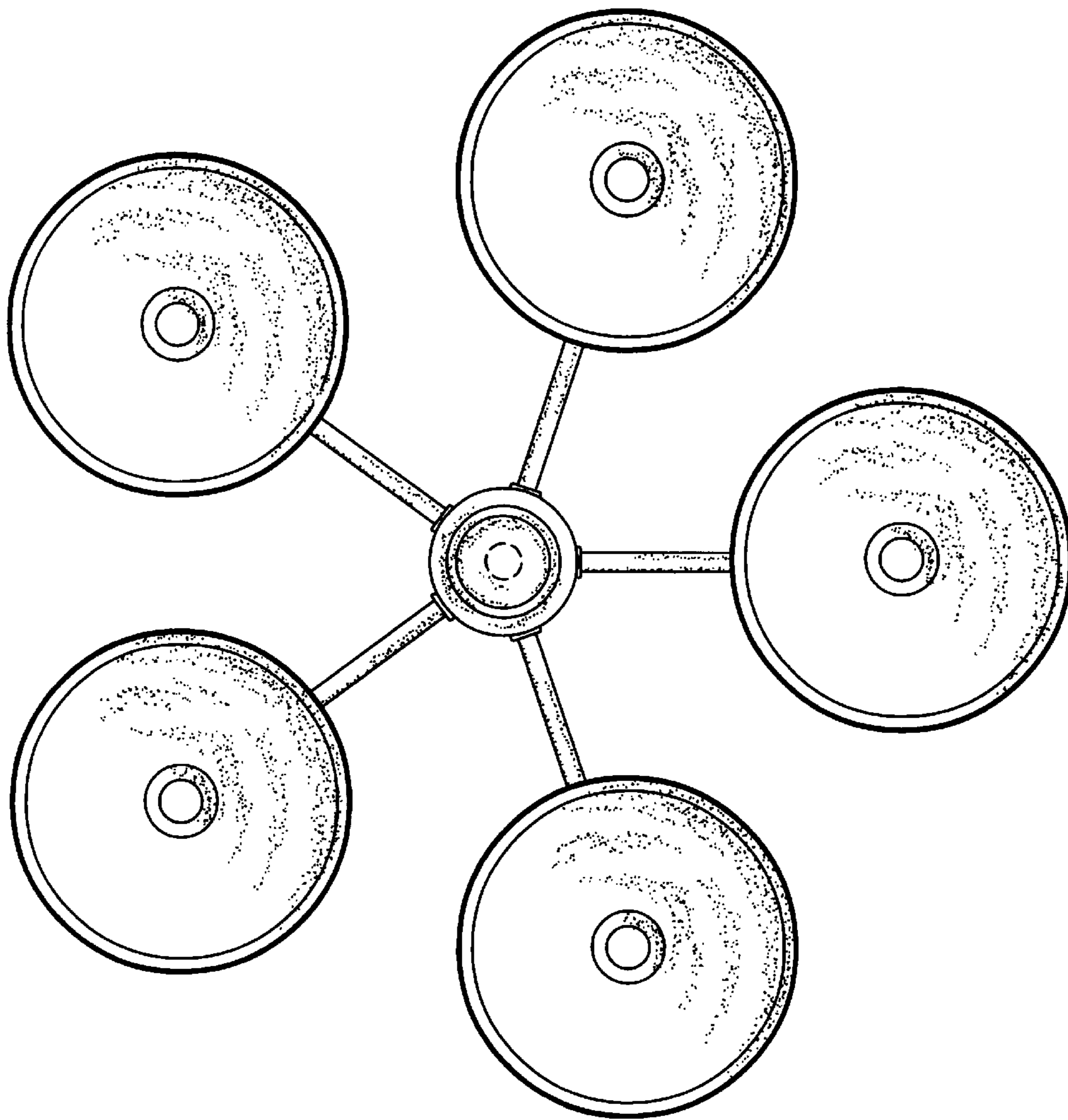


FIG. 4